



US00D615631S

(12) **United States Design Patent**
Price et al.

(10) **Patent No.:** **US D615,631 S**
(45) **Date of Patent:** **** May 11, 2010**

(54) **SWIVEL ELBOW (FULL) MALE SEWER FITTING**

(75) Inventors: **Clay D. Price**, Stokesdale, NC (US);
Jeffrey R. Russell, Winston Salem, NC (US)

(73) Assignee: **Camco Manufacturing Inc.**, Greensboro, NC (US)

(**) Term: **14 Years**

(21) Appl. No.: **29/348,148**

(22) Filed: **Dec. 3, 2009**

(51) **LOC (9) Cl.** **23-01**

(52) **U.S. Cl.** **D23/263**

(58) **Field of Classification Search** D23/259–269;
285/1, 53, 104–105, 404, 112, 340, 367,
285/373, 915, 11–12, 7, 177, 394–395, 307,
285/179, 179.1, 133.11–133.12, 423, 358,
285/903; 411/5, 10

See application file for complete search history.

(56) **References Cited**

U.S. PATENT DOCUMENTS

434,116	A *	8/1890	Ricketts	285/179
492,191	A *	2/1893	Cram	285/179.1
2,318,317	A *	5/1943	Lofgren	285/7
2,374,815	A *	5/1945	Haas, Jr.	138/161
2,385,202	A *	9/1945	Haas, Jr. et al.	138/161
3,669,473	A *	6/1972	Martin et al.	285/197
3,995,888	A *	12/1976	McIlroy	285/4
4,173,989	A	11/1979	Prest		
4,722,556	A	2/1988	Tood		
4,758,027	A	7/1988	Tood		
4,932,257	A *	6/1990	Webb	73/40.5 R
4,974,881	A *	12/1990	Engel et al.	285/181
5,090,743	A *	2/1992	Obering	285/133.21
D355,958	S *	2/1995	Teskey	D23/263
5,667,251	A *	9/1997	Prest	285/12
5,718,461	A *	2/1998	Esser	285/179
5,971,438	A *	10/1999	Johnson	285/12
6,170,882	B1 *	1/2001	Prest	285/12

6,250,686	B1 *	6/2001	Becker et al.	285/21.2
6,329,493	B1 *	12/2001	El-Hibri et al.	528/125
6,450,544	B2 *	9/2002	Becker et al.	285/21.2
D481,447	S *	10/2003	Dole et al.	D23/263
D482,103	S *	11/2003	Snyder et al.	D23/263
D517,666	S *	3/2006	Wilk et al.	D23/262
D523,123	S *	6/2006	Wilk et al.	D23/262
D561,302	S *	2/2008	Brockington et al.	D23/262
D561,303	S *	2/2008	Brockington et al.	D23/262
D564,076	S *	3/2008	Brockington et al.	D23/262
D564,637	S *	3/2008	Brockington et al.	D23/263
7,338,095	B1 *	3/2008	Karnes	285/397
D565,707	S *	4/2008	Brockington et al.	D23/262
D586,433	S	2/2009	Price et al.		
D592,288	S *	5/2009	Price et al.	D23/259

(Continued)

OTHER PUBLICATIONS

Ref. No. 1, Easy Slip 4-in-1 Sewer Adapter with Elbow (P/N 39144),
Camco website (www.camco.net), Mar. 10, 2008.

(Continued)

Primary Examiner—T. Chase Nelson
Assistant Examiner—Eric L Goodman

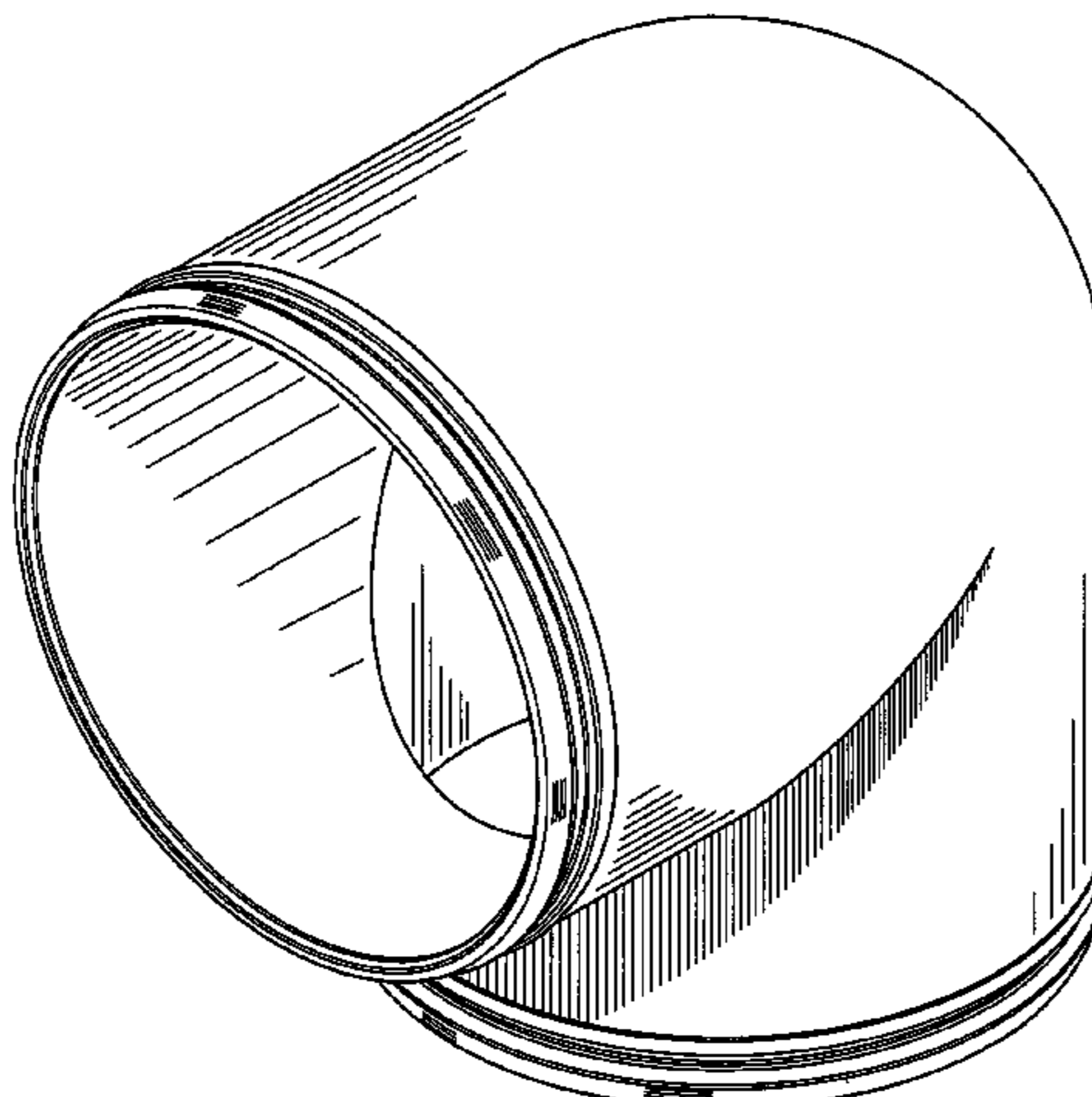
(57) **CLAIM**

The ornamental design for a swivel elbow (full) male sewer fitting, as shown and described.

DESCRIPTION

FIG. 1 is a right, front top perspective view of a swivel elbow (full) male sewer fitting embodying our design;
FIG. 2 is a right side elevational view thereof;
FIG. 3 is a left side elevational view thereof;
FIG. 4 is a front side elevational view thereof;
FIG. 5 is a rear side elevational view thereof;
FIG. 6 is a top plan view thereof; and,
FIG. 7 is a bottom plan view thereof.

1 Claim, 4 Drawing Sheets



US D615,631 S

Page 2

U.S. PATENT DOCUMENTS

D594,937 S * 6/2009 Price et al. D23/259
D596,272 S * 7/2009 Price et al. D23/259
D599,445 S * 9/2009 Price et al. D23/262
D599,446 S * 9/2009 Price et al. D23/262
D599,894 S * 9/2009 Price et al. D23/262
2005/0242585 A1 * 11/2005 Dole et al. 285/367

OTHER PUBLICATIONS

Ref. No. 2, Universal Sewer Adapter (P/N F02-3103), Valterra Website(www.valtarra.com), Mar. 10, 2008.

Ref. No. 3, Blueline Universal Elbow (P/N 1-0001), Prest-O-Fit Website (www.prestofit.com), Mar. 10, 2008.

* cited by examiner

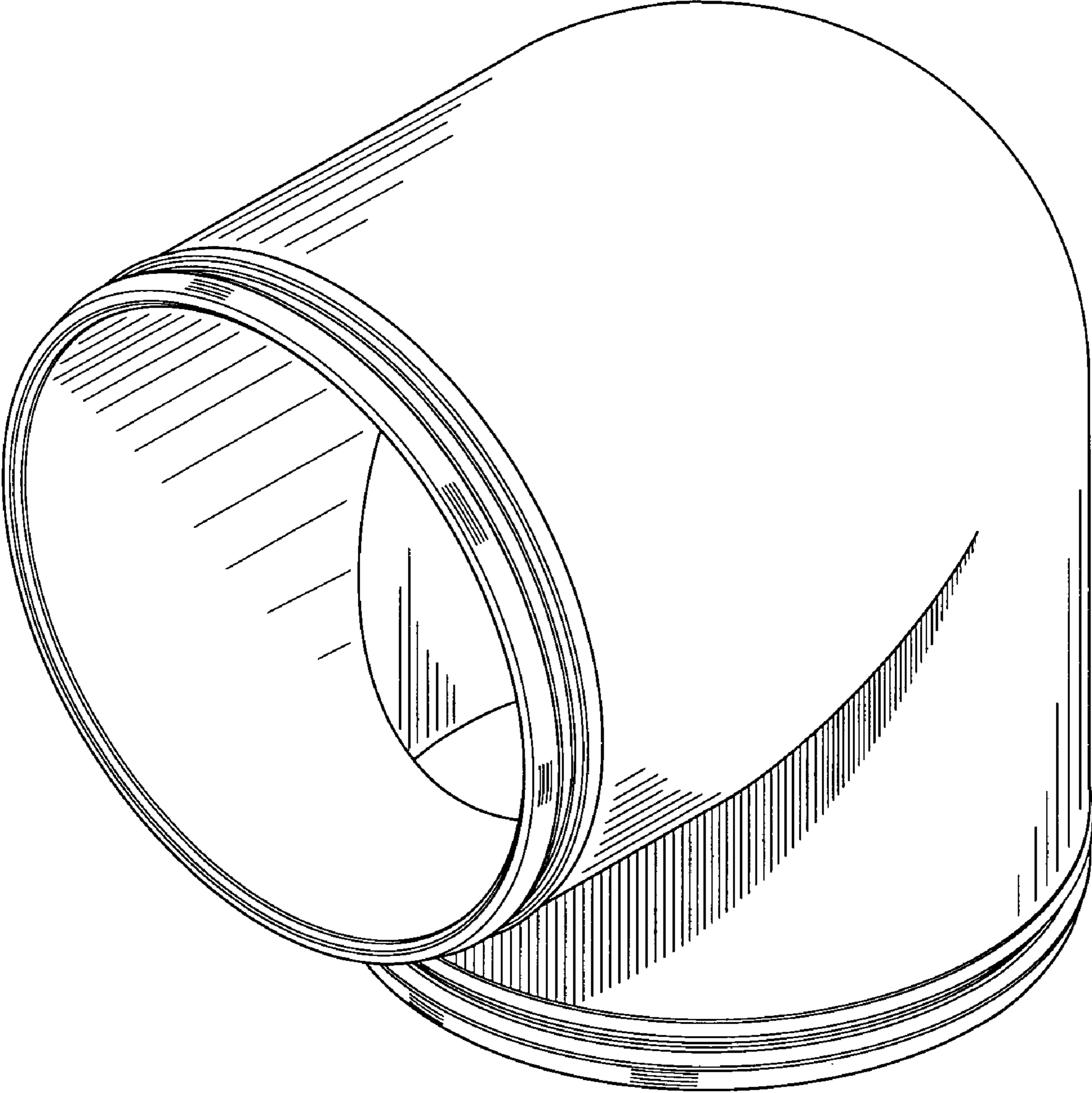


FIG. 1

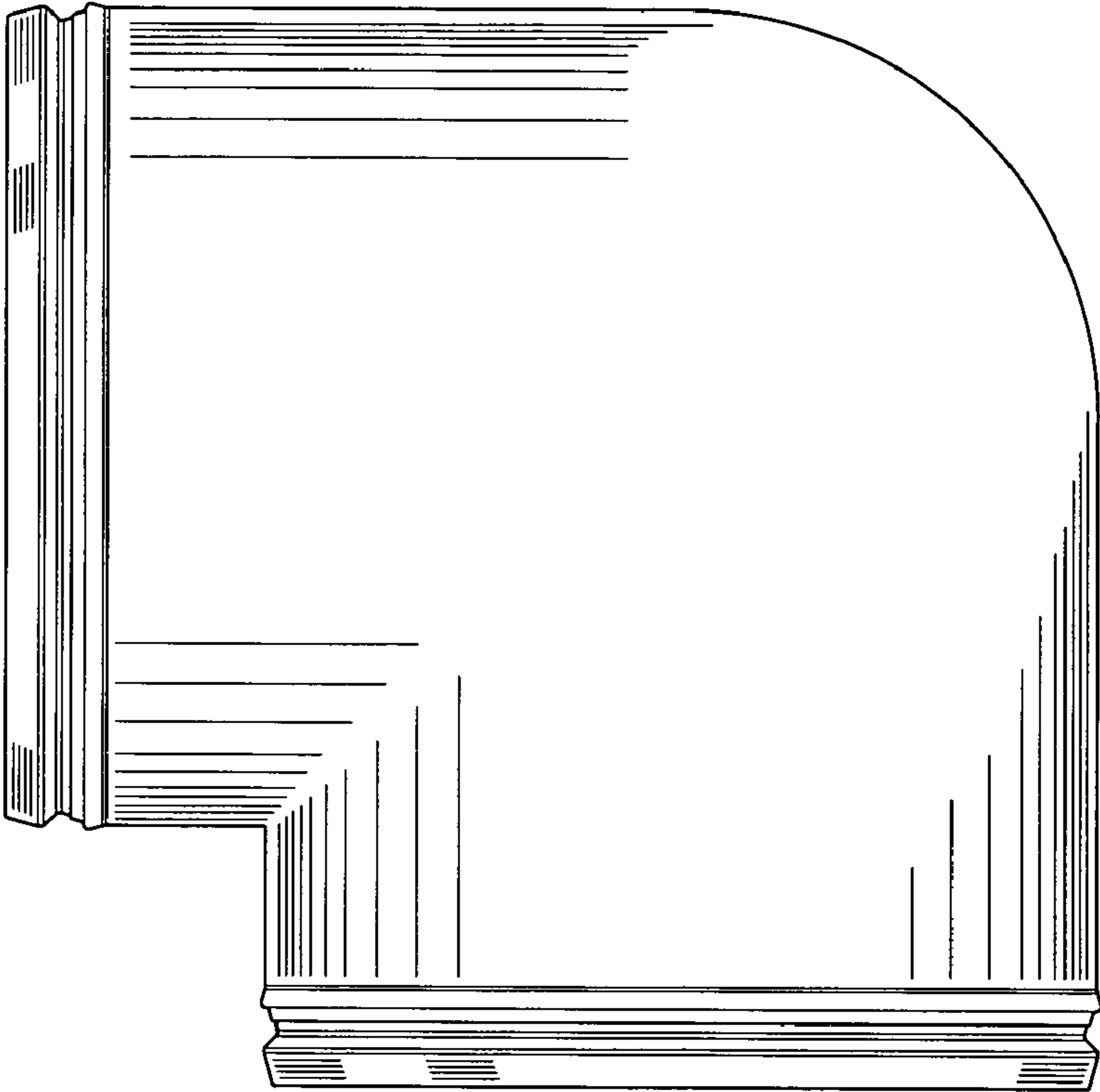


FIG. 2

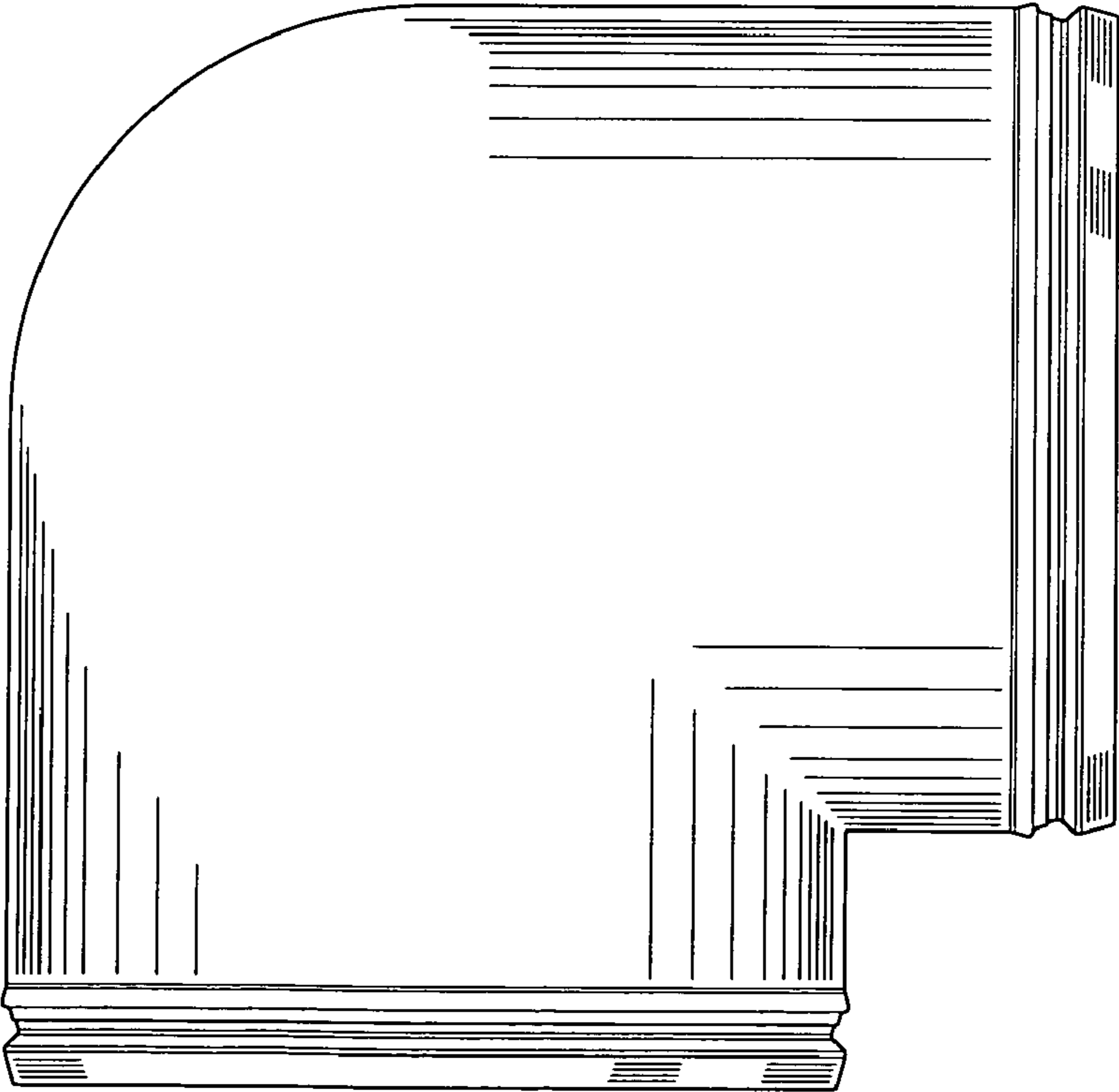


FIG. 3

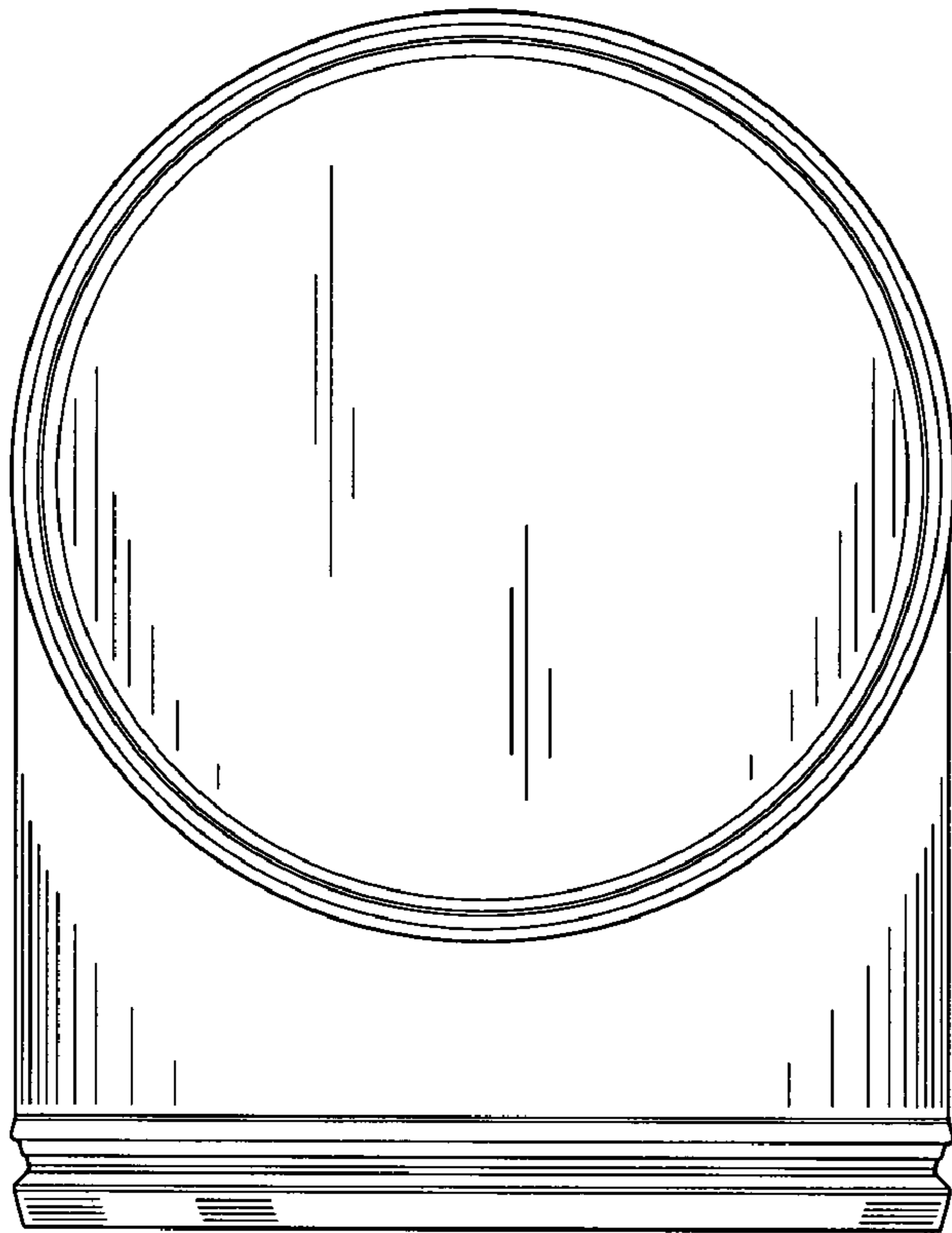


FIG. 4

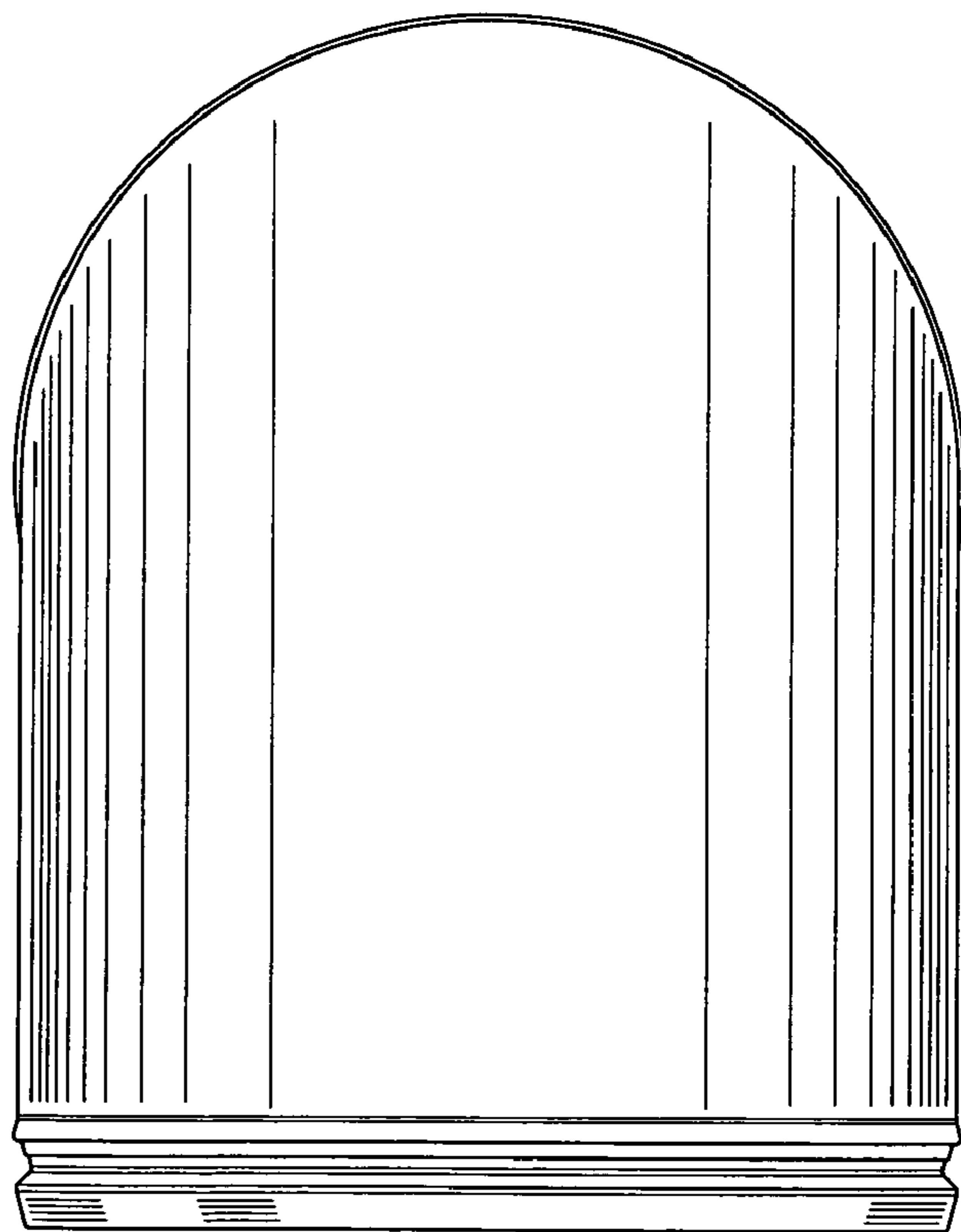


FIG. 5

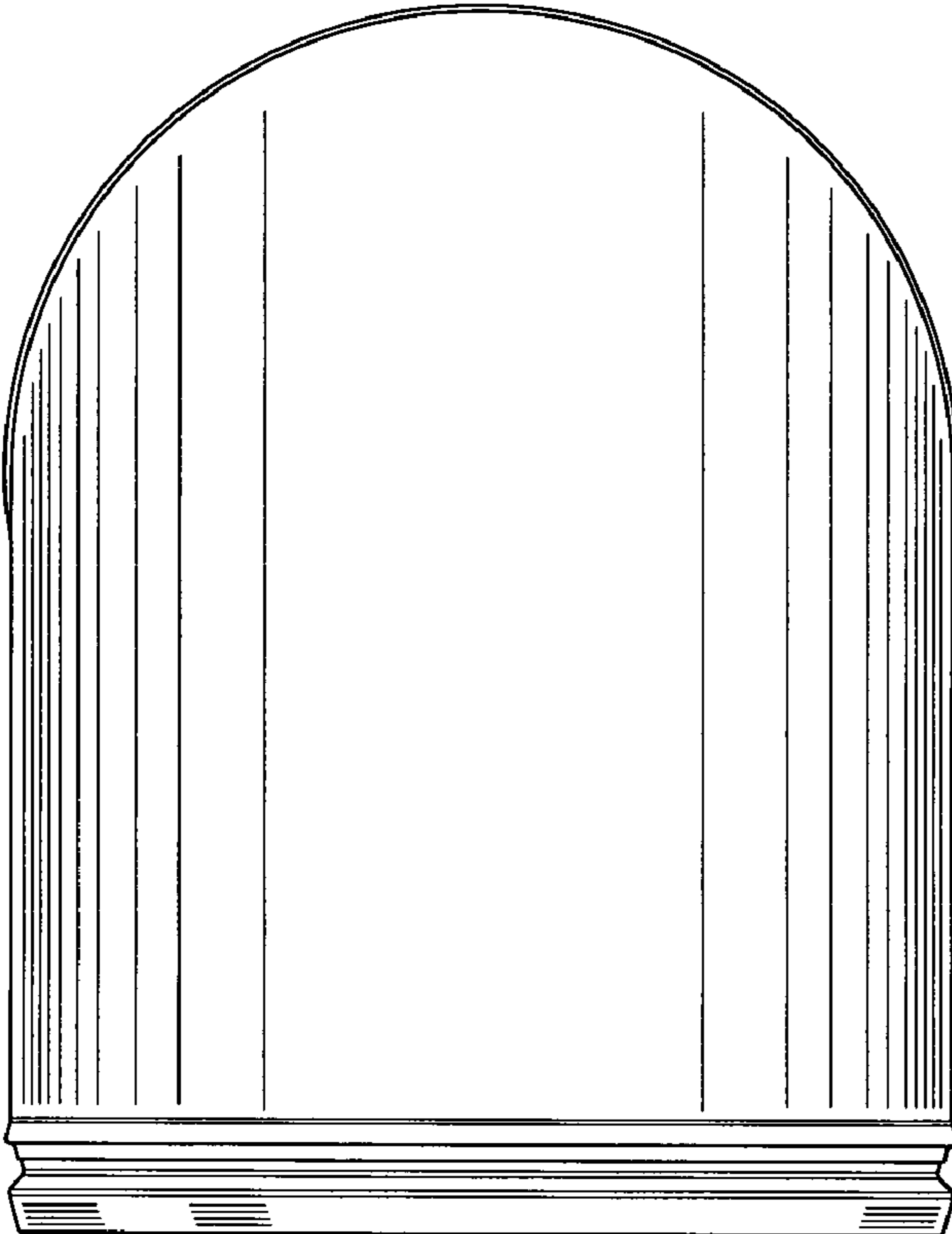


FIG. 6

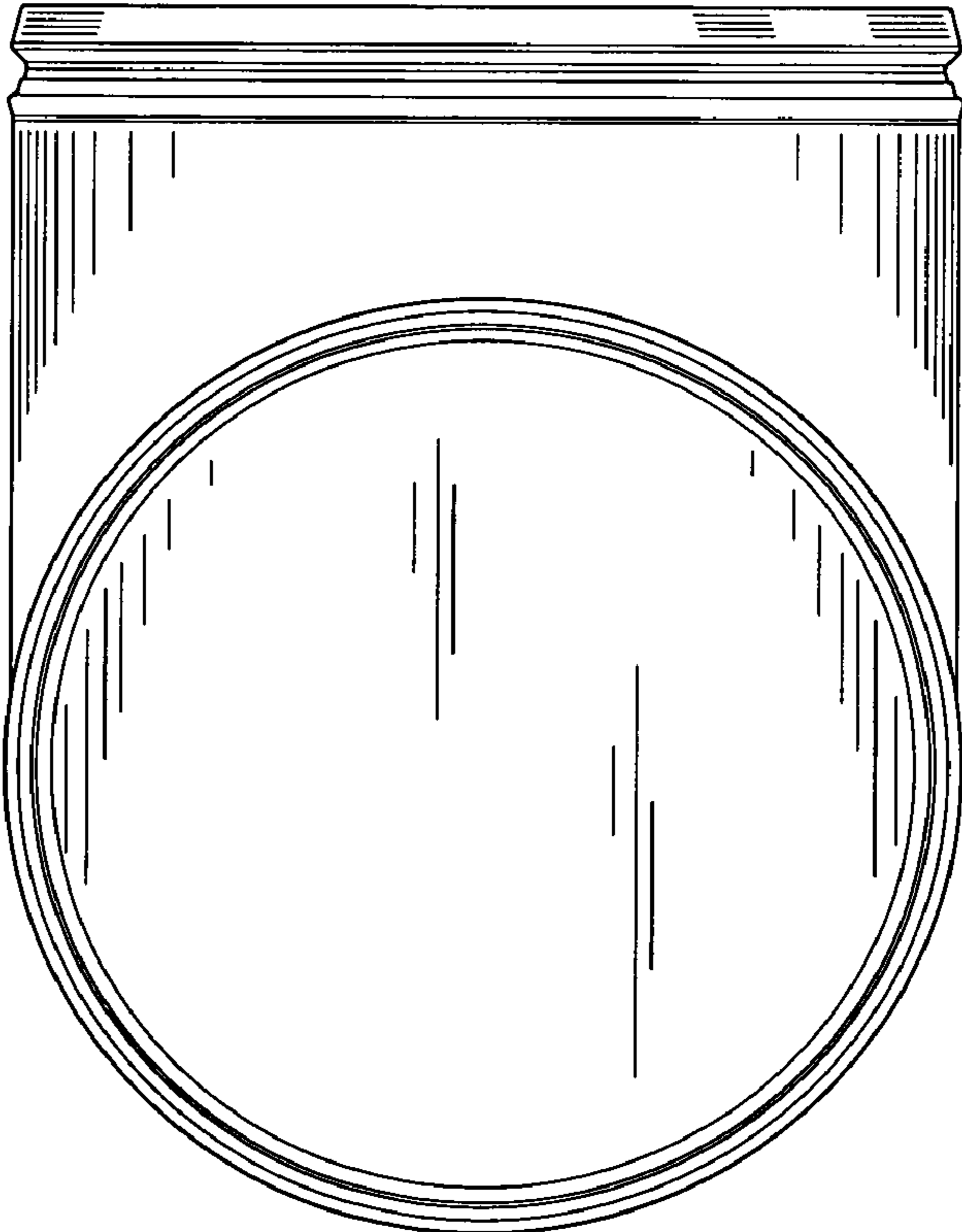


FIG. 7