



US00D615629S

(12) **United States Design Patent**
Bouroullec et al.

(10) **Patent No.:** **US D615,629 S**

(45) **Date of Patent:** **** May 11, 2010**

(54) **SPOUT**

(75) Inventors: **Erwan Bouroullec**, Paris (FR); **Ronan Bouroullec**, Paris (FR)

(73) Assignee: **Hansgrohe AG**, Schiltach (DE)

(**) Term: **14 Years**

(21) Appl. No.: **29/342,193**

(22) Filed: **Aug. 20, 2009**

(30) **Foreign Application Priority Data**

Jun. 3, 2009 (EM) 001101125-0002

(51) **LOC (9) Cl.** **23-01**

(52) **U.S. Cl.** **D23/255**

(58) **Field of Classification Search** D23/200,
D23/238–257; D6/512, 546, 550; D8/300,
D8/307–308, 310–312, 321; 4/675–678;
137/801; 16/110.1, 441

See application file for complete search history.

(56) **References Cited**

U.S. PATENT DOCUMENTS

D349,330 S *	8/1994	Sauter et al.	D23/255
D409,292 S *	5/1999	Hyde et al.	D23/255
D464,406 S *	10/2002	Gottwald	D23/255
D465,270 S *	11/2002	Gottwald	D23/257
D466,979 S *	12/2002	Shulz	D23/238
D472,308 S *	3/2003	Hundley	D23/255
D521,601 S *	5/2006	Uhl	D23/240
D521,612 S *	5/2006	Fritz	D23/255
D524,414 S *	7/2006	Marcichow et al.	D23/238
D524,426 S *	7/2006	Sallick et al.	D23/255
D526,389 S *	8/2006	Lammel et al.	D23/238
D538,402 S *	3/2007	Lammel et al.	D23/243

D540,911 S *	4/2007	Citterio	D23/238
D566,242 S *	4/2008	Kohler et al.	D23/255
D570,960 S *	6/2008	Semchuck et al.	D23/238
D581,025 S *	11/2008	Schonherr et al.	D23/255
D581,492 S *	11/2008	Schonherr et al.	D23/255
D582,524 S *	12/2008	McKeone	D23/255
D582,525 S *	12/2008	Downey	D23/255

OTHER PUBLICATIONS

Brochure—the one Mini, 3 pgs., Newform S.p.A., Serravalle Sesia, Italy (at least as early as Sep. 30, 2008).

Brochure—Collection 08 09, 3 pgs., Carlo Nobili S.p.A., Borgomanero, Italy (at least as early as Sep. 30, 2008).

* cited by examiner

Primary Examiner—T. Chase Nelson

Assistant Examiner—Mark Cavanna

(74) *Attorney, Agent, or Firm*—Nirav D. Parikh; Edgar A. Zarins

(57) **CLAIM**

The ornamental design for a spout, as shown and described.

DESCRIPTION

FIG. 1 is a perspective view of a spout showing our new design;

FIG. 2 is a left side elevational view thereof; the right side being a mirror image thereof;

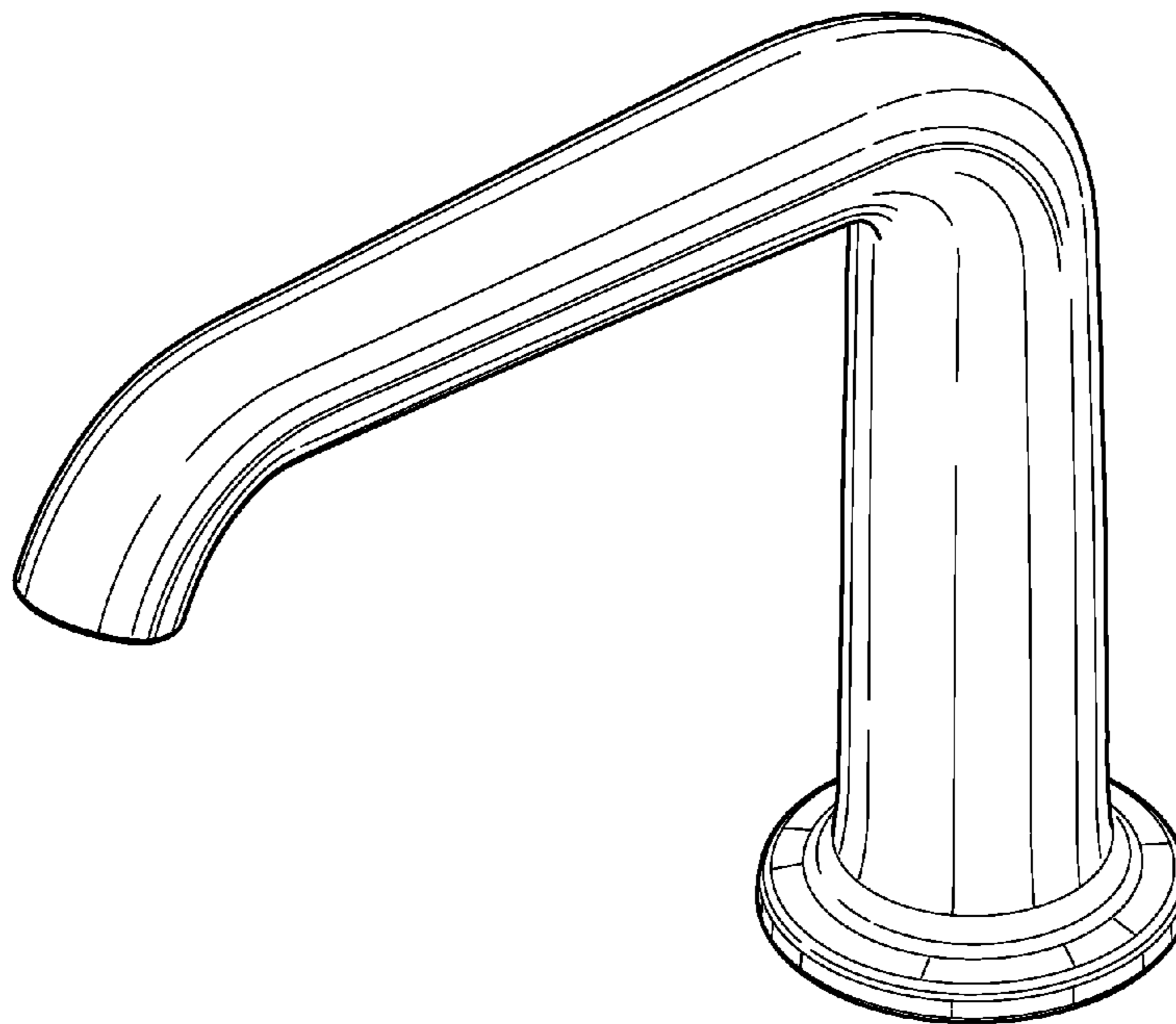
FIG. 3 is a front elevational view thereof;

FIG. 4 is a rear elevational view thereof; and,

FIG. 5 is a top plan view thereof.

The broken lines in the drawings represent unclaimed portions of the faucet and form no part thereof.

1 Claim, 5 Drawing Sheets



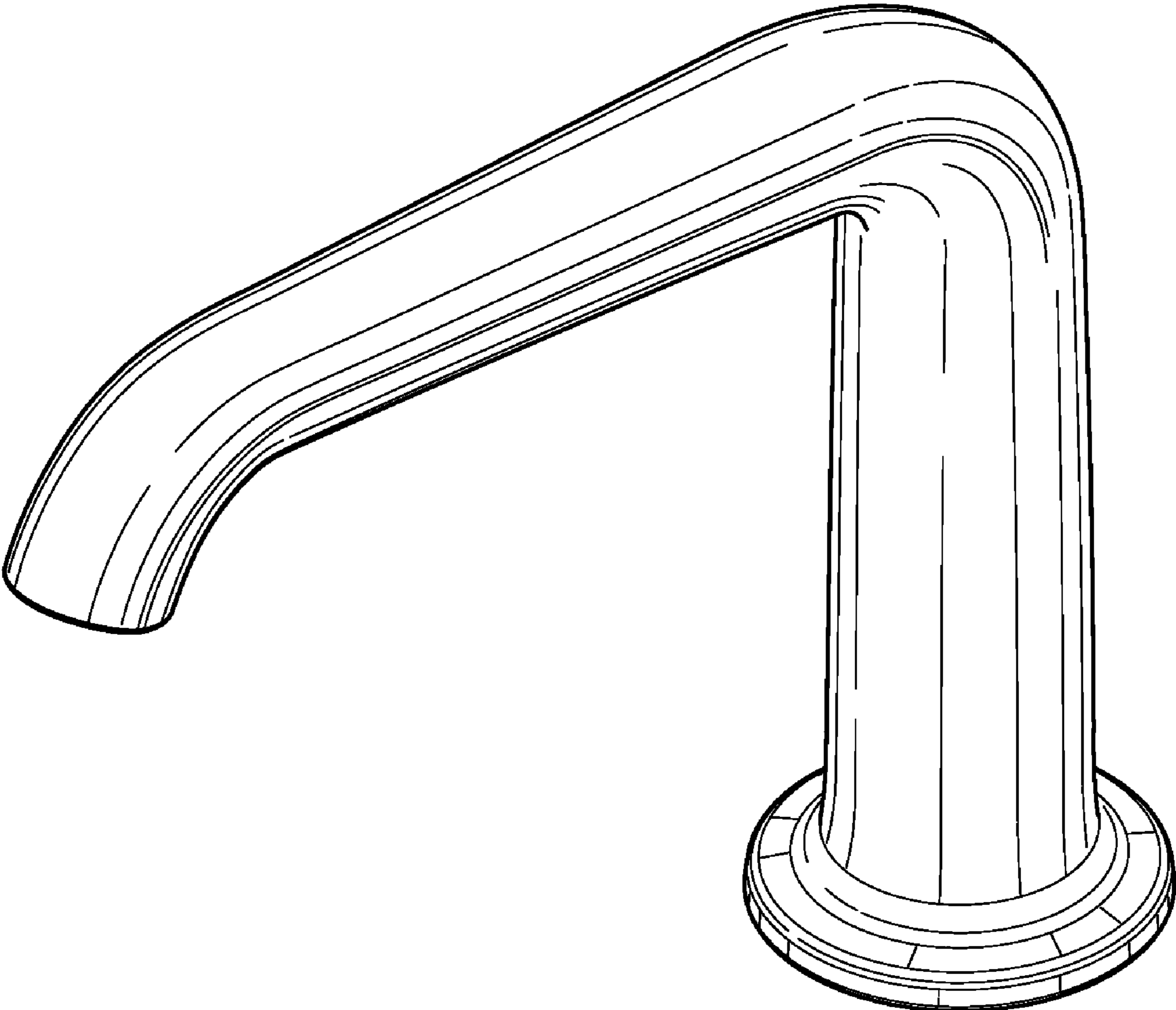


FIG. 1

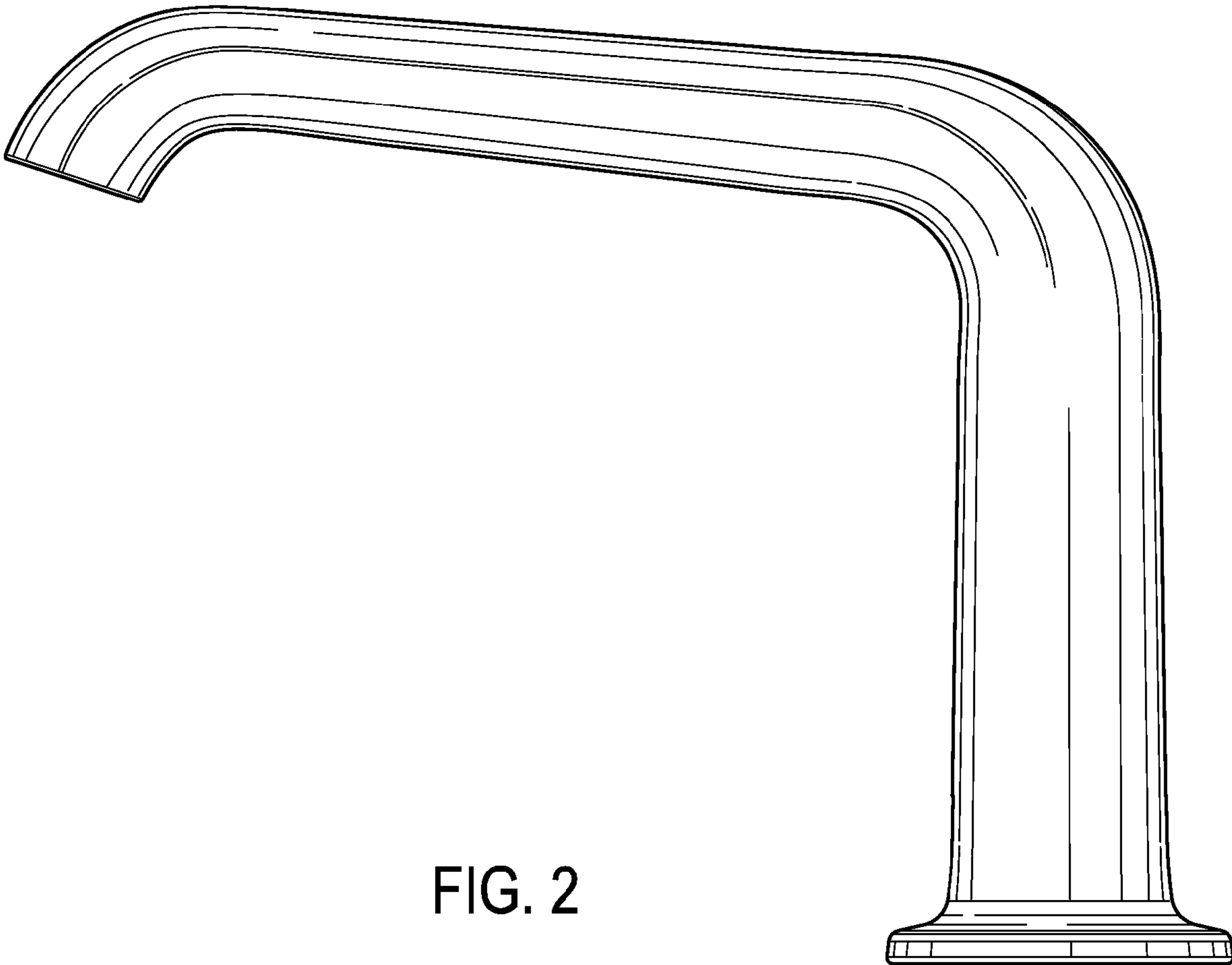


FIG. 2

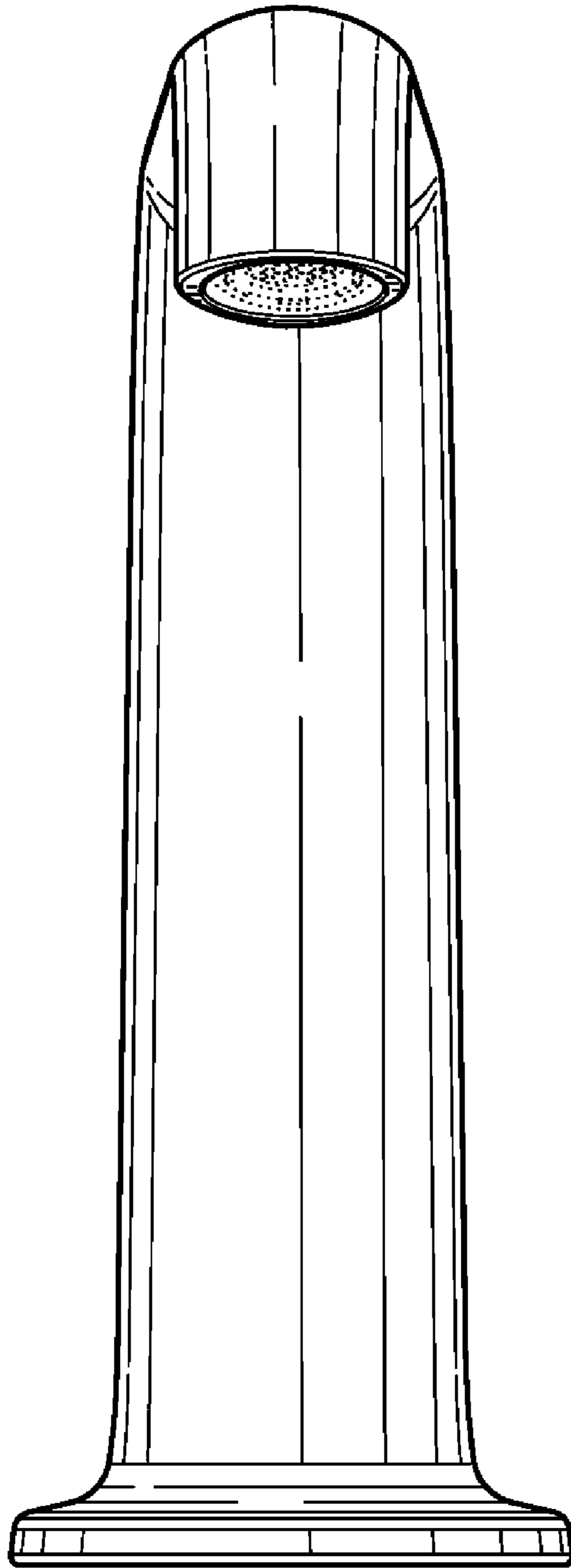


FIG. 3

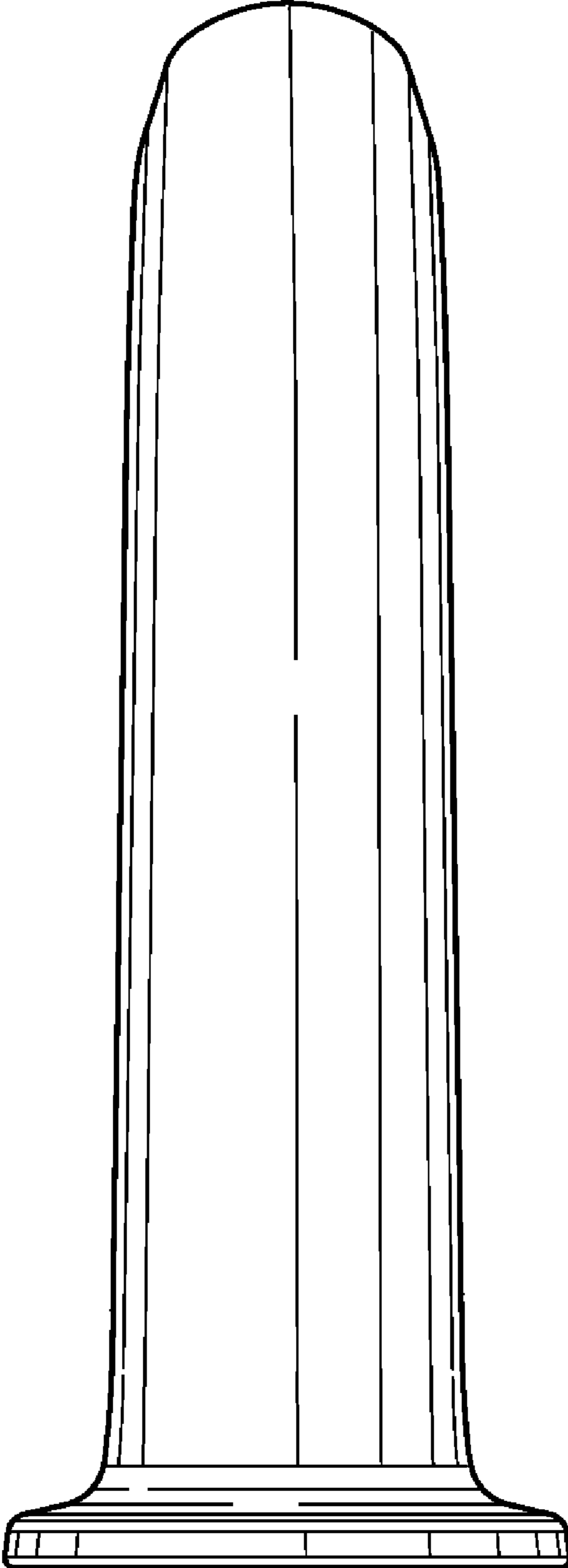


FIG. 4

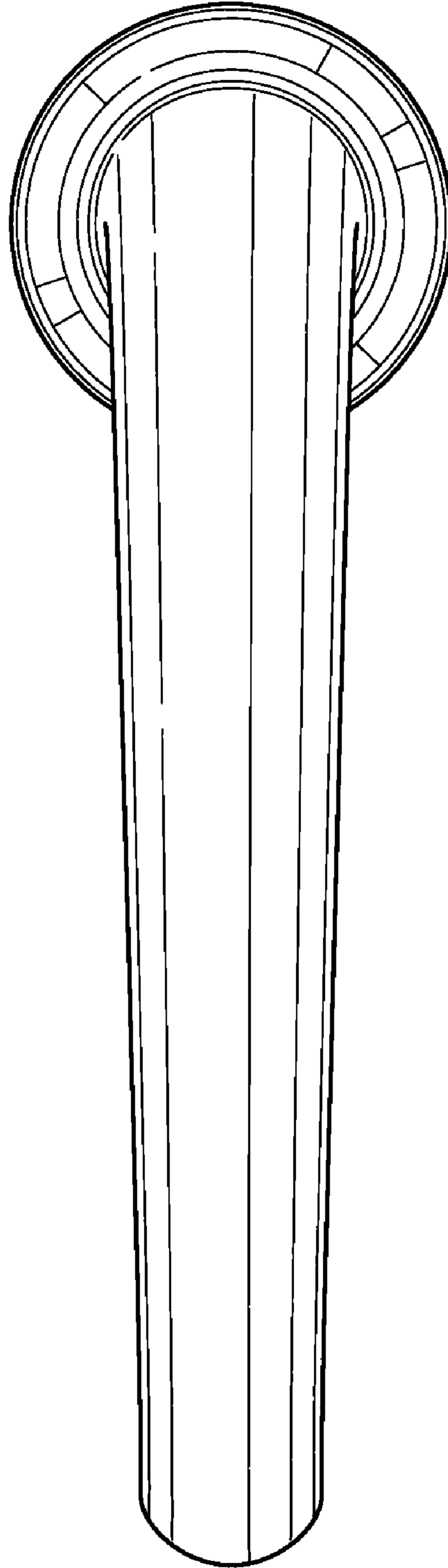


FIG. 5