



US00D615623S

(12) **United States Design Patent**
Krause

(10) **Patent No.:** **US D615,623 S**

(45) **Date of Patent:** **** May 11, 2010**

(54) **FAUCET**

(75) Inventor: **Kirstin Krause**, Duesseldorf (DE)

(73) Assignee: **Grohe AG**, Hemer (DE)

(**) Term: **14 Years**

(21) Appl. No.: **29/343,056**

(22) Filed: **Sep. 4, 2009**

(30) **Foreign Application Priority Data**

Mar. 4, 2009 (EM) 001098495-0001

(51) **LOC (9) Cl.** **23-01**

(52) **U.S. Cl.** **D23/239**

(58) **Field of Classification Search** D23/200,
D23/238-257; D6/512, 546, 550; D8/300,
D8/307-308, 310-312, 321; 4/675-678;
137/801; 16/110.1, 441

See application file for complete search history.

(56) **References Cited**

U.S. PATENT DOCUMENTS

D251,794 S *	5/1979	Smith	D23/238
D420,726 S *	2/2000	Slothower et al.	D23/257
D461,529 S *	8/2002	Gottwald	D23/242
D472,308 S *	3/2003	Hundley	D23/255
D479,579 S *	9/2003	Haug et al.	D23/238
D479,740 S *	9/2003	Citterio	D23/242
D481,445 S *	10/2003	Haug et al.	D23/238
D509,283 S *	9/2005	Sieger	D23/238
D516,171 S *	2/2006	Meylan	D23/238
D520,114 S *	5/2006	Starck	D23/238
D525,342 S *	7/2006	Starck	D23/238
D527,076 S *	8/2006	Kolin et al.	D23/241
D529,580 S *	10/2006	Shieh	D23/238

D531,698 S *	11/2006	Wood et al.	D23/238
D534,620 S *	1/2007	Zhou	D23/238
D534,990 S *	1/2007	Zhou	D23/238
D534,991 S *	1/2007	Sieger	D23/238
D557,380 S *	12/2007	Shieh	D23/238
D566,242 S *	4/2008	Kohler et al.	D23/255
D585,110 S *	1/2009	Paini	D23/238
D589,594 S *	3/2009	Lammel et al.	D23/238
D590,918 S *	4/2009	Gessi	D23/238
D594,935 S *	6/2009	Schoenherr et al.	D23/238
D605,260 S *	12/2009	Allard	D23/255

* cited by examiner

Primary Examiner—T. Chase Nelson

Assistant Examiner—Mark Cavanna

(74) *Attorney, Agent, or Firm*—Muncy, Geissler, Olds & Lowe, PLLC

(57) **CLAIM**

The ornamental design for a faucet, as shown and described.

DESCRIPTION

FIG. 1 is a perspective view of a faucet according to the present invention.

FIG. 2 is a left side elevational view of the faucet of FIG. 1.

FIG. 3 is a right side elevational view of the faucet of FIG. 1.

FIG. 4 is a rear elevational view of the faucet of FIG. 1.

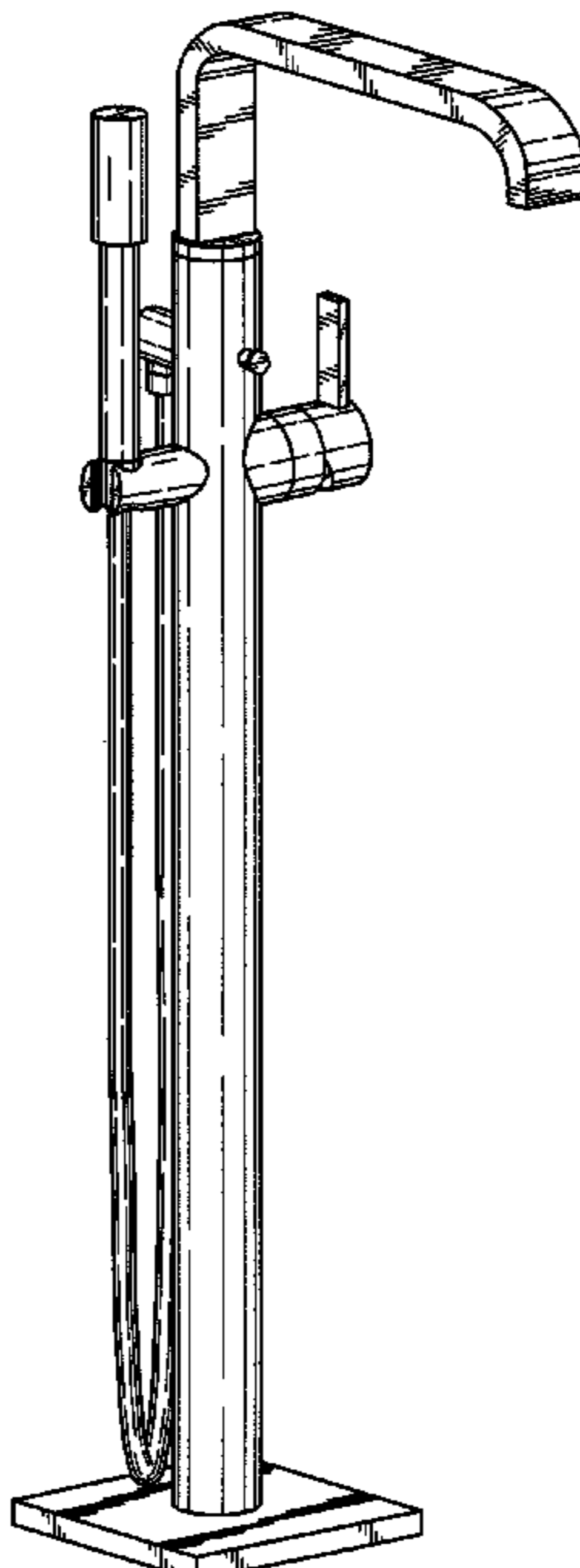
FIG. 5 is a front elevational view of the faucet of FIG. 1.

FIG. 6 is a top plan view of the faucet of FIG. 1; and,

FIG. 7 is a bottom plan view of the faucet of FIG. 1.

The dashed lines illustrate environment that does not form a part of the present invention, and no claim is made to the material illustrated with dashed lines.

1 Claim, 6 Drawing Sheets



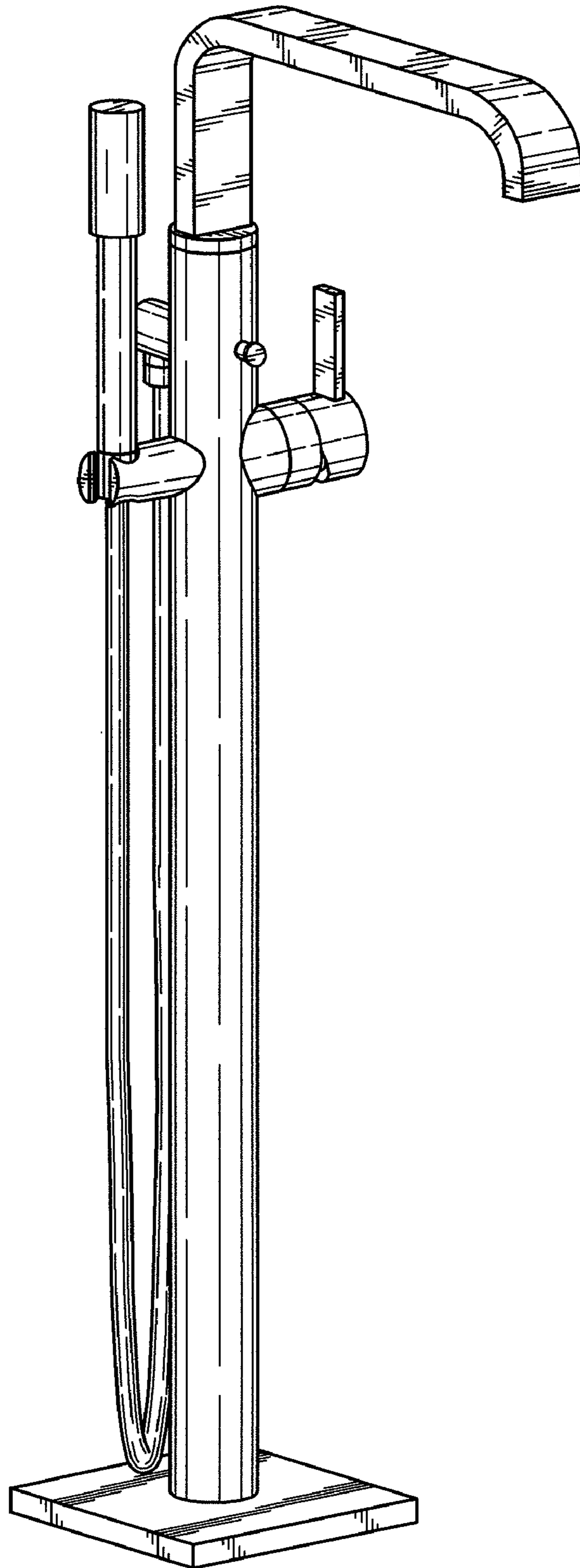


Fig. 1

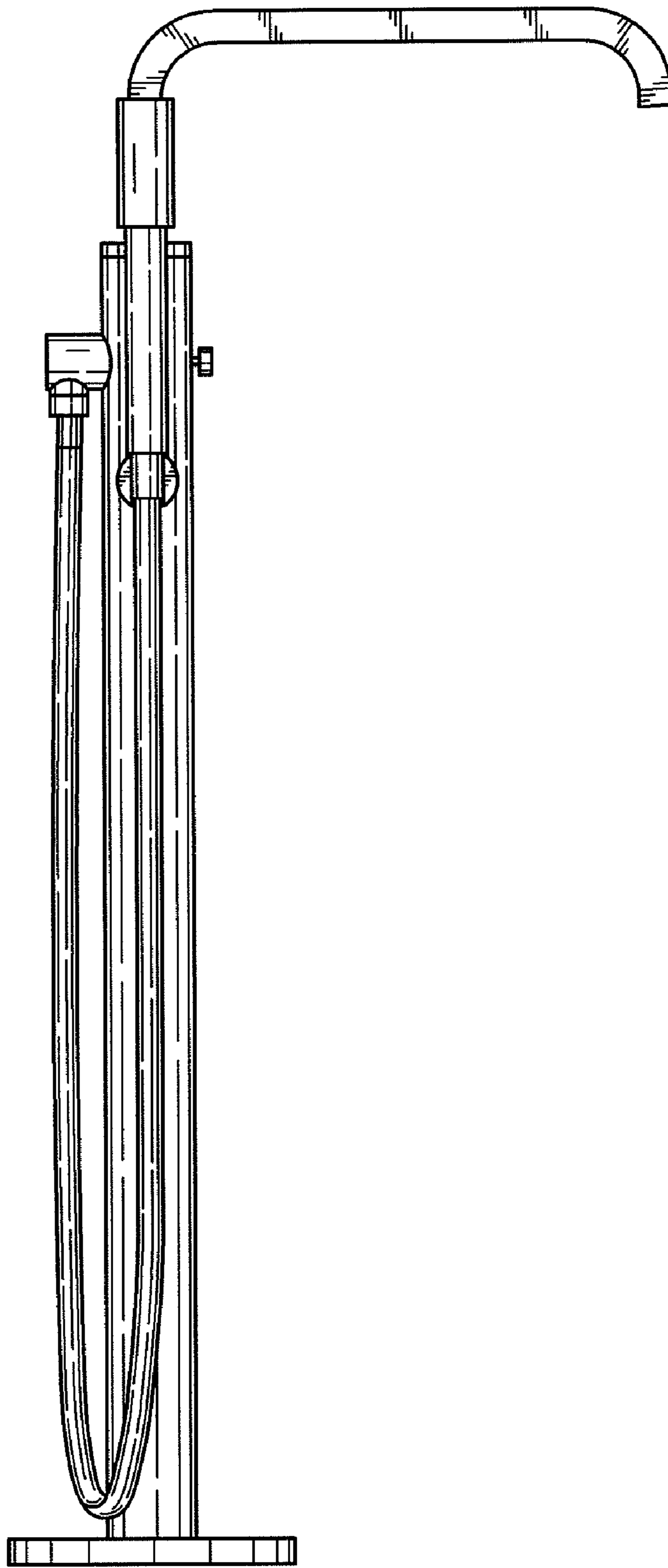


Fig. 2

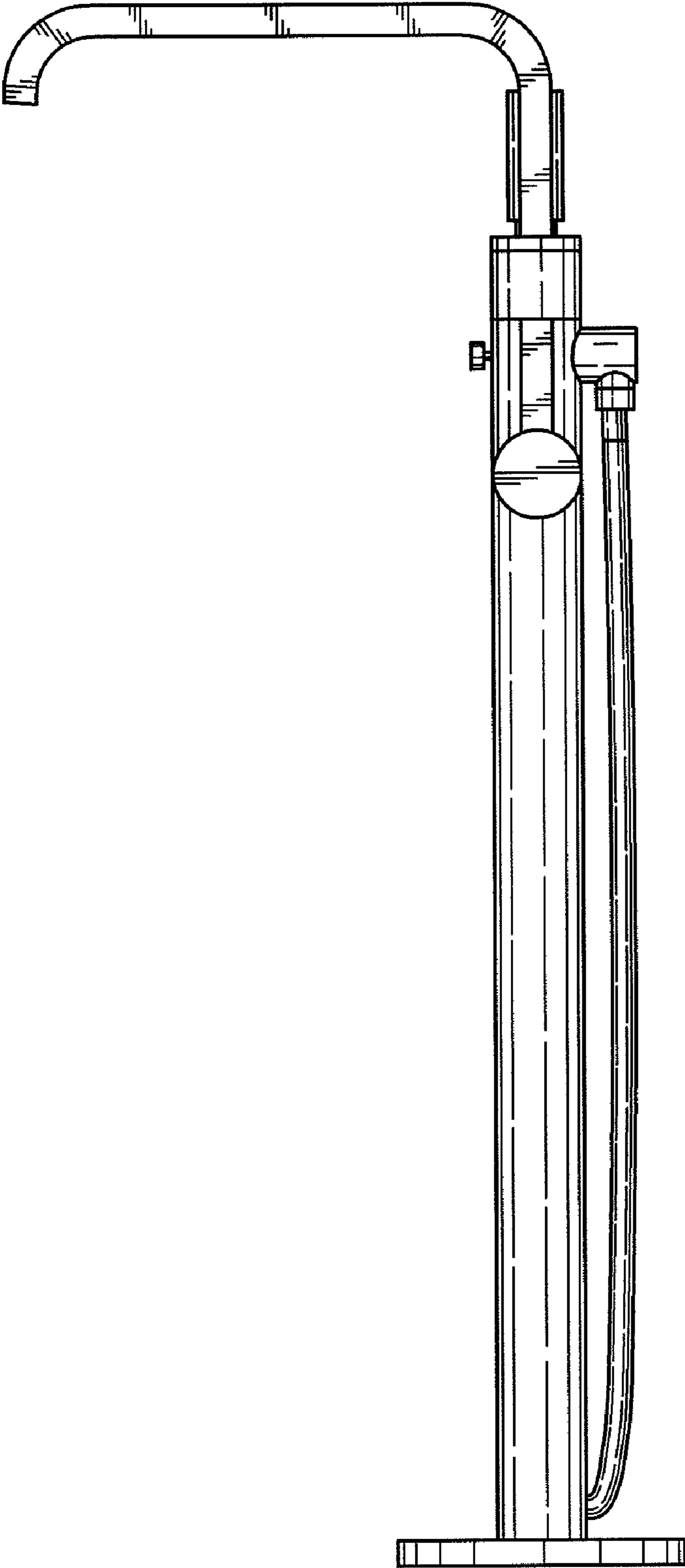


Fig. 3

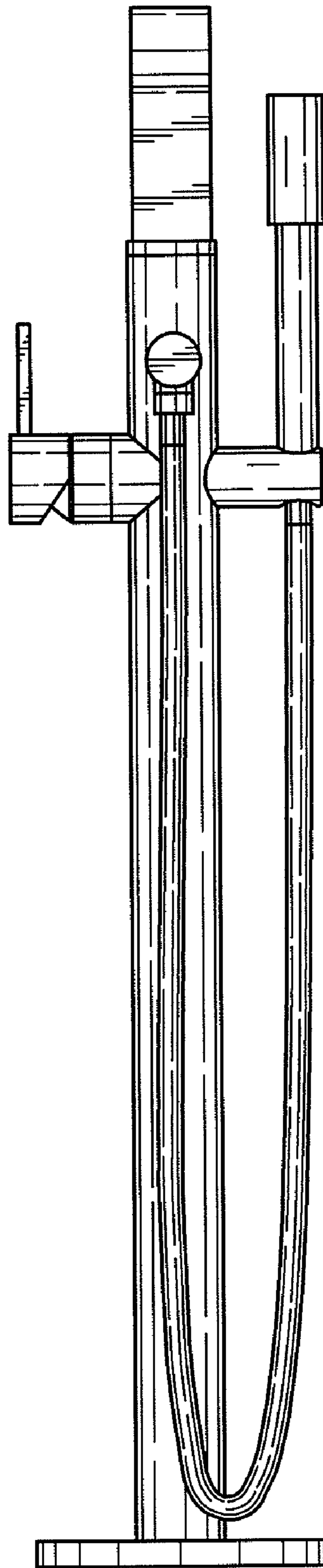


Fig. 4

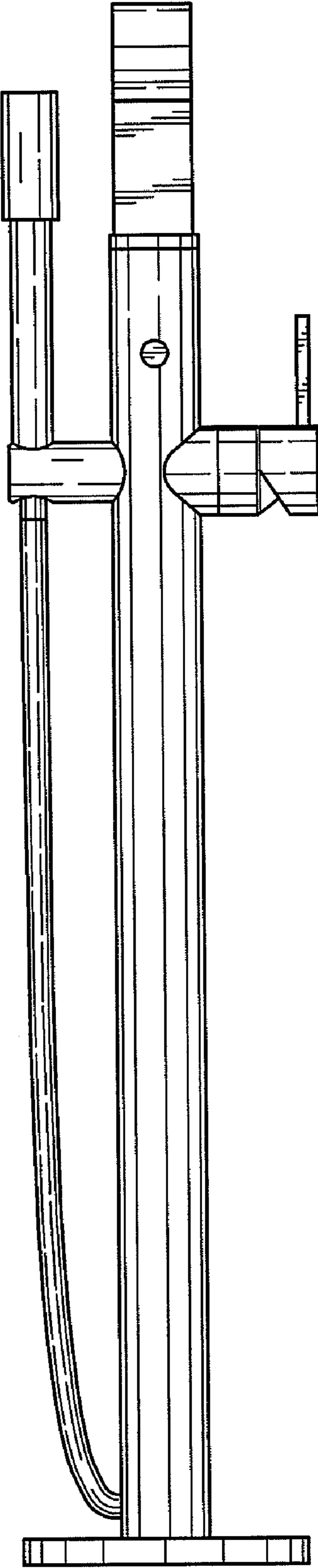


Fig. 5

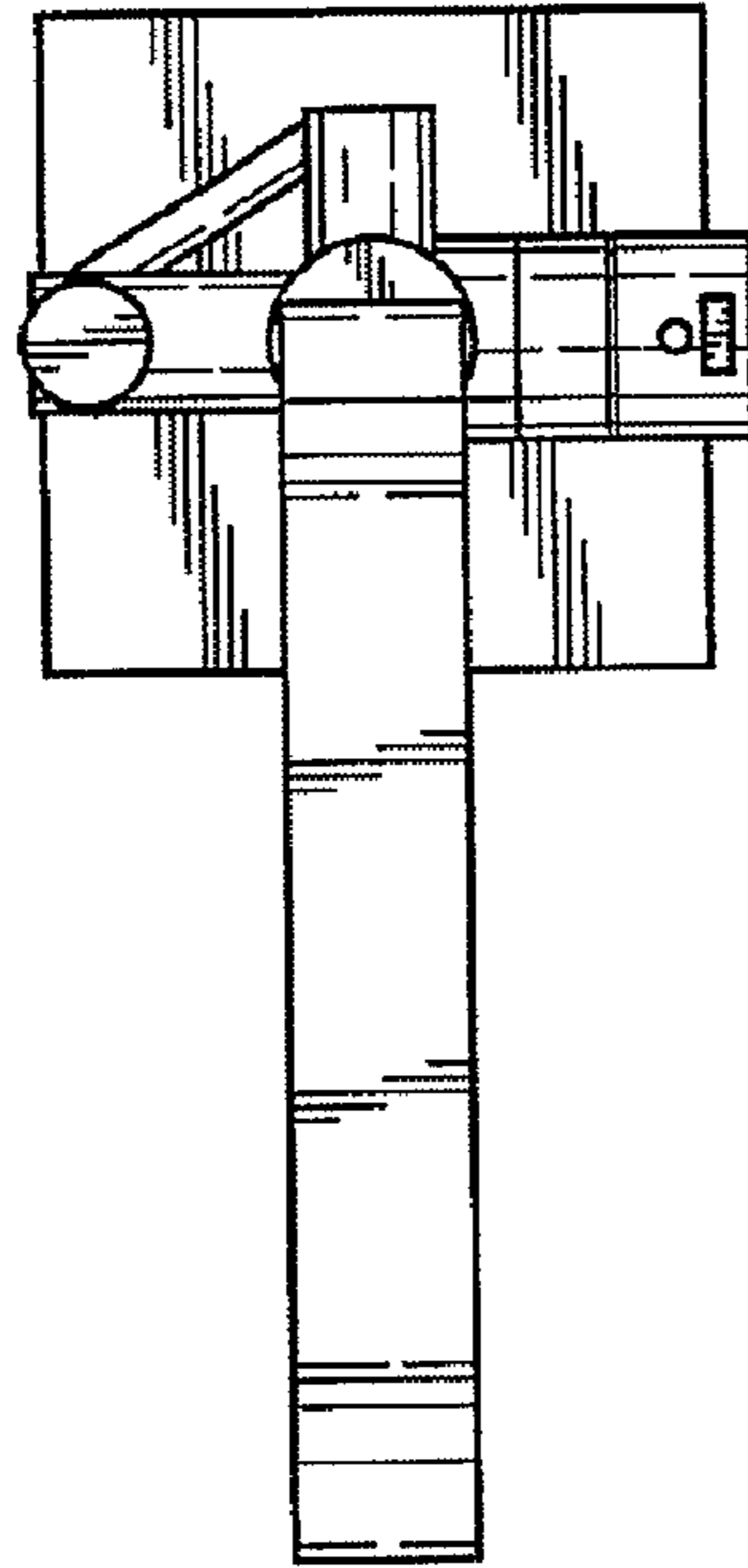


Fig. 6

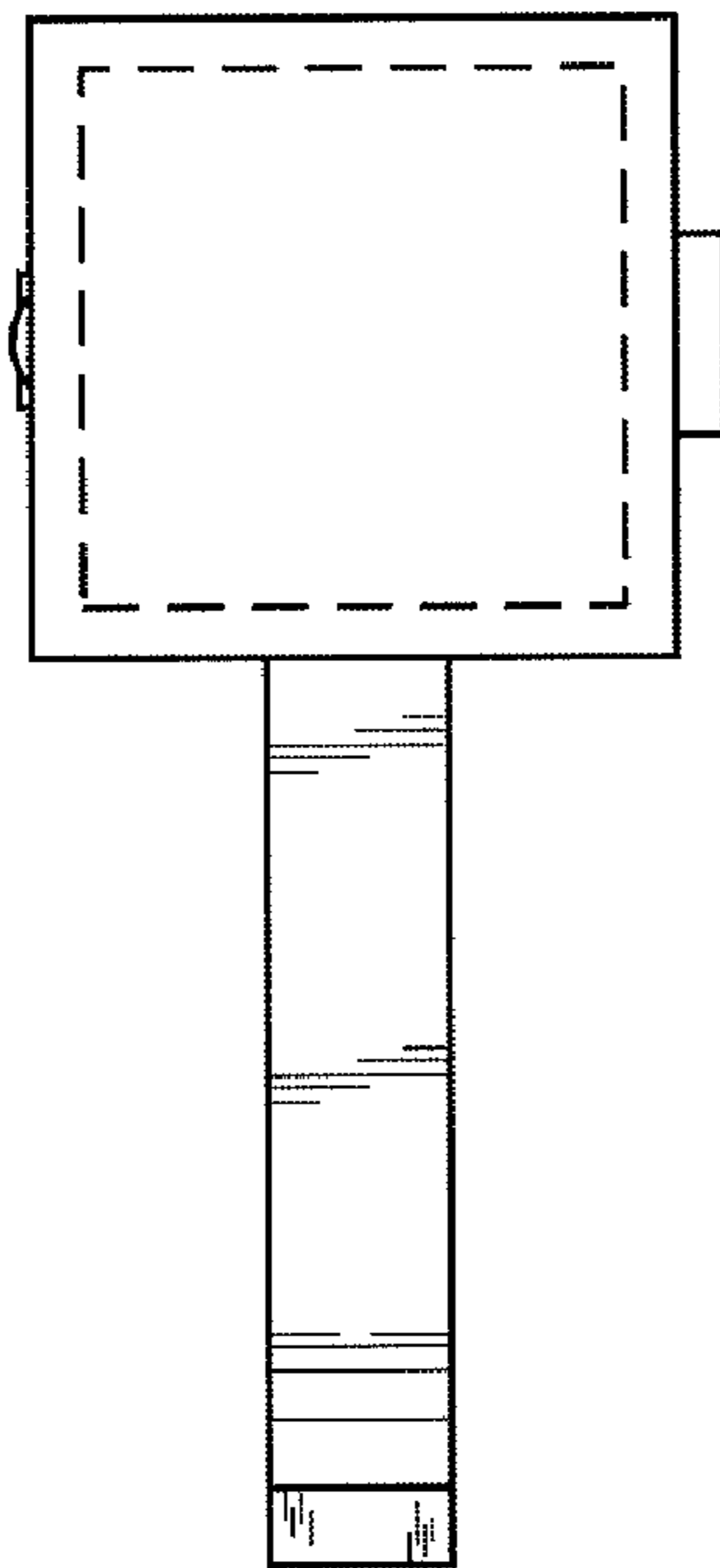


Fig. 7