



US00D615622S

(12) **United States Design Patent**
Pan

(10) **Patent No.:** **US D615,622 S**

(45) **Date of Patent:** **** May 11, 2010**

(54) **SPIGOT**

(75) Inventor: **Chia-Chen Pan**, Changhua Hsien (TW)

(73) Assignee: **Sheng Tai Brassware Co., Ltd.**,
Changhua Hsien (TW)

(**) Term: **14 Years**

(21) Appl. No.: **29/326,056**

(22) Filed: **Oct. 10, 2008**

(51) **LOC (9) Cl.** **23-02**

(52) **U.S. Cl.** **D23/238**

(58) **Field of Classification Search** D23/238,
D23/241–243, 255–257; 4/675–678; 137/801
See application file for complete search history.

(56) **References Cited**

U.S. PATENT DOCUMENTS

D472,308 S * 3/2003 Hundley D23/255

D570,960 S * 6/2008 Semchuck et al. D23/238

D581,025 S * 11/2008 Schonherr et al. D23/255

D582,524 S * 12/2008 McKeone D23/255

* cited by examiner

Primary Examiner—Robert A Delehanty

(74) *Attorney, Agent, or Firm*—Burr & Brown

(57) **CLAIM**

The ornamental design for a spigot, as shown and described.

DESCRIPTION

FIG. 1 is a perspective view of a spigot, showing my new design;

FIG. 2 is a front view thereof;

FIG. 3 is a rear view thereof;

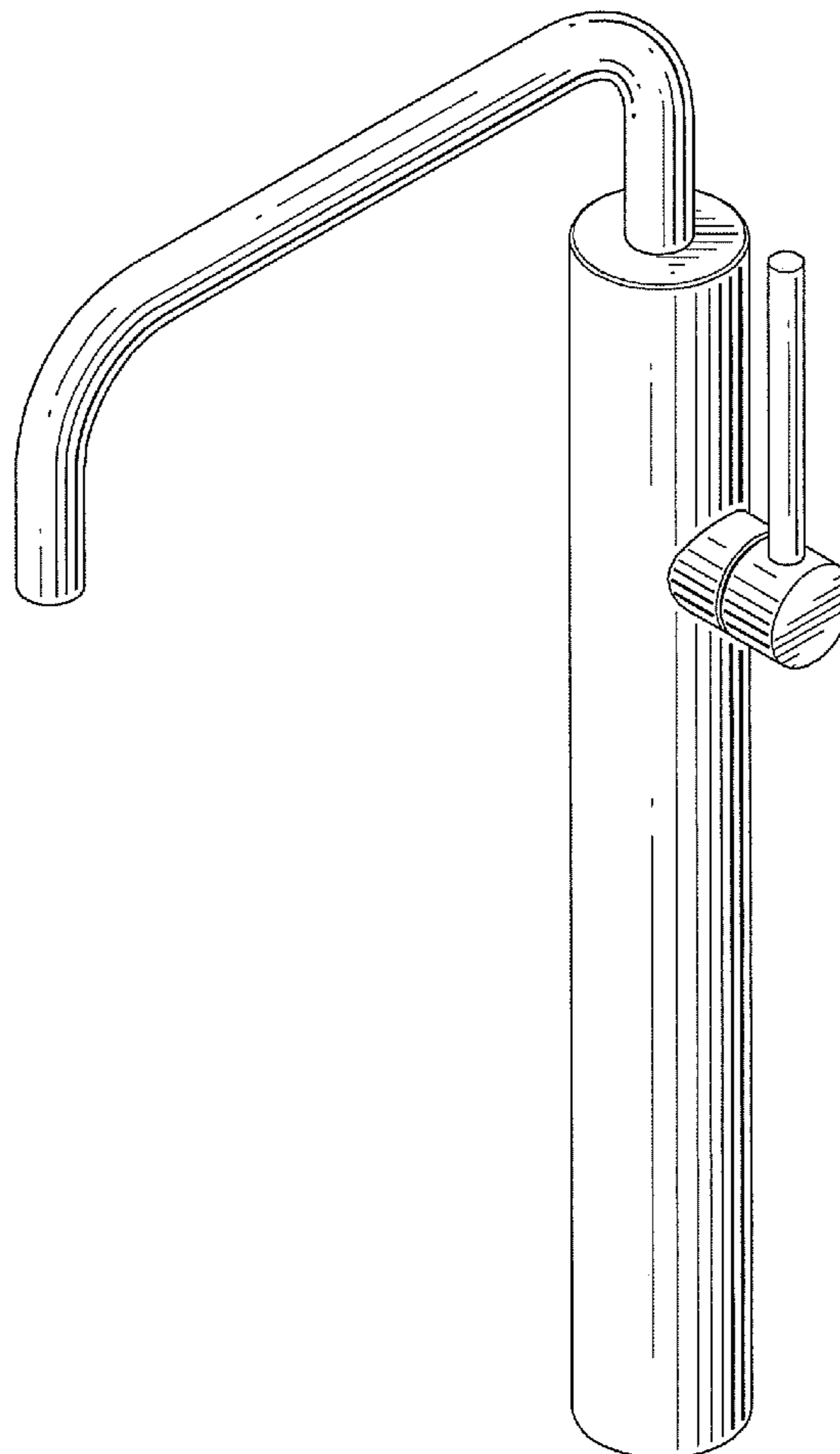
FIG. 4 is a left side view thereof;

FIG. 5 is a right side view thereof;

FIG. 6 is a top view thereof; and,

FIG. 7 is a bottom view thereof, wherein the broken lines are shown for illustrative purposes only and form no part of the claimed design.

1 Claim, 5 Drawing Sheets



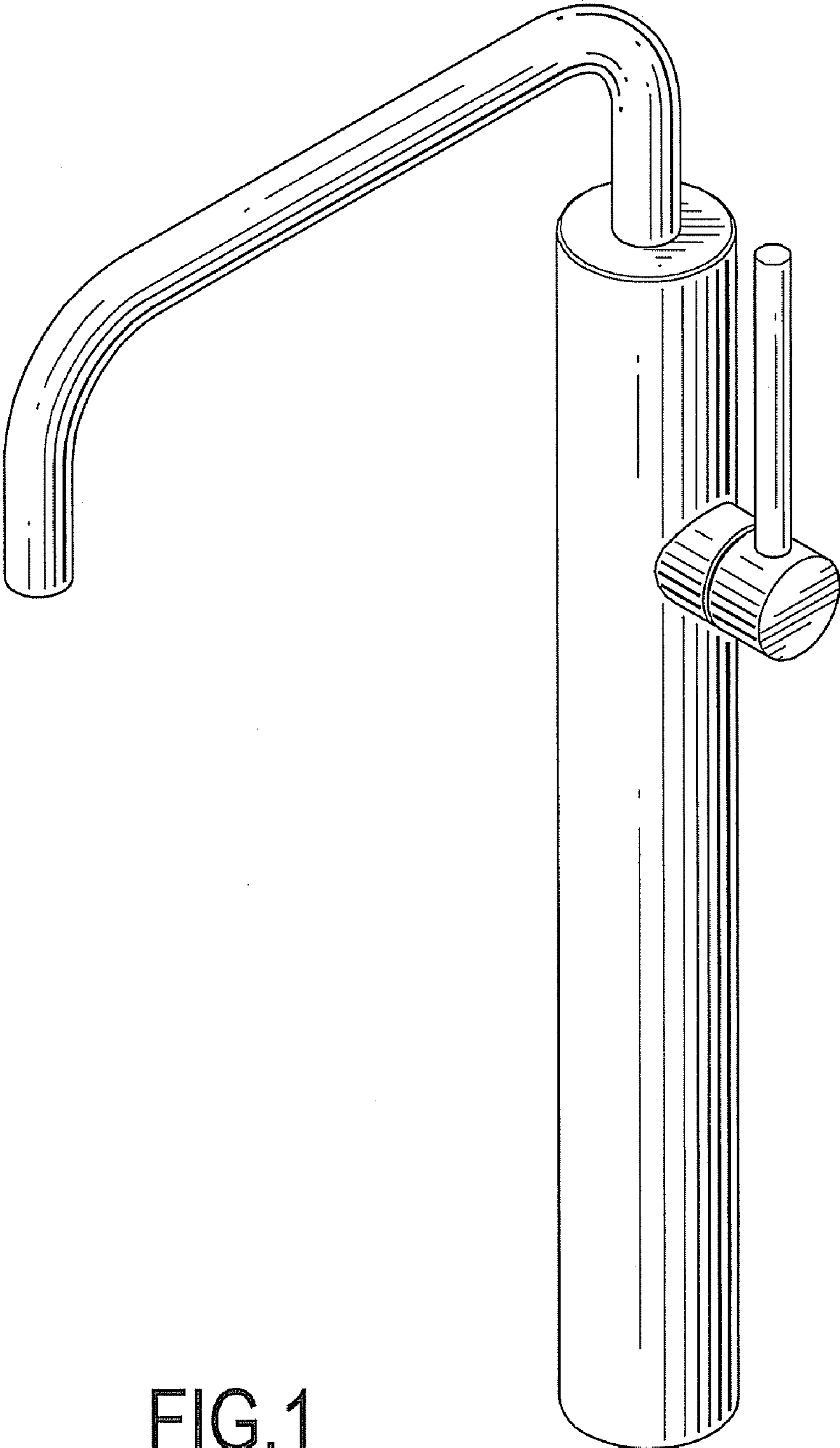


FIG. 1

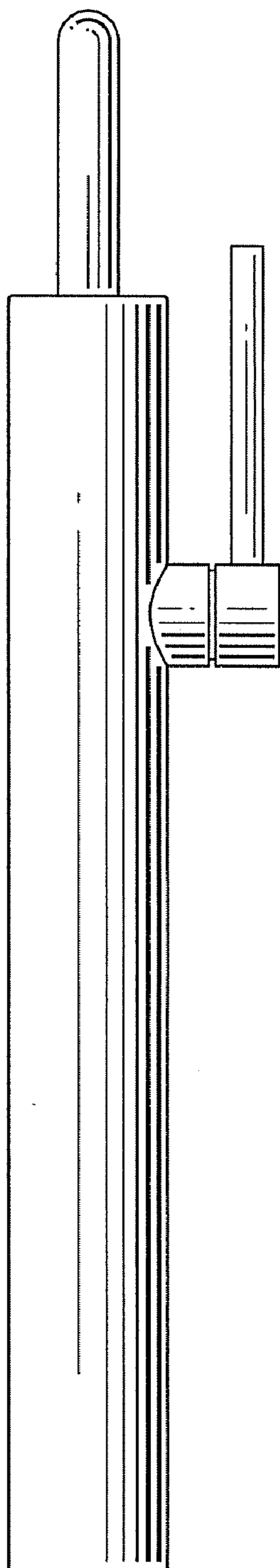


FIG. 2

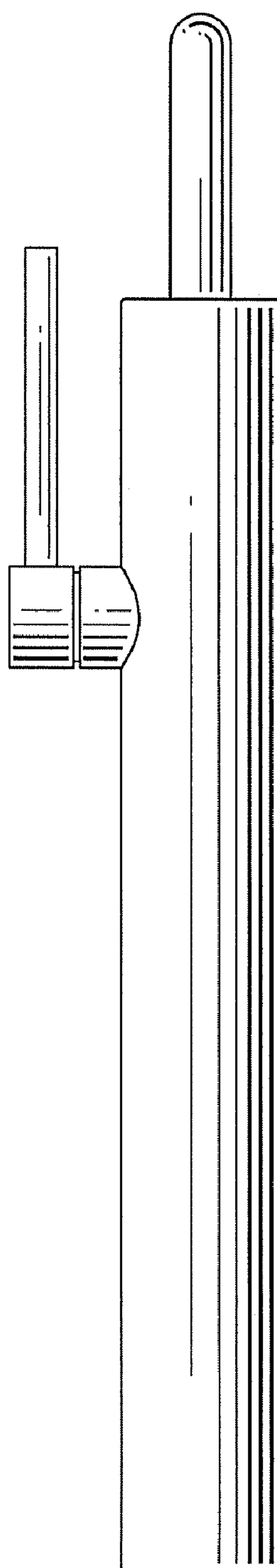
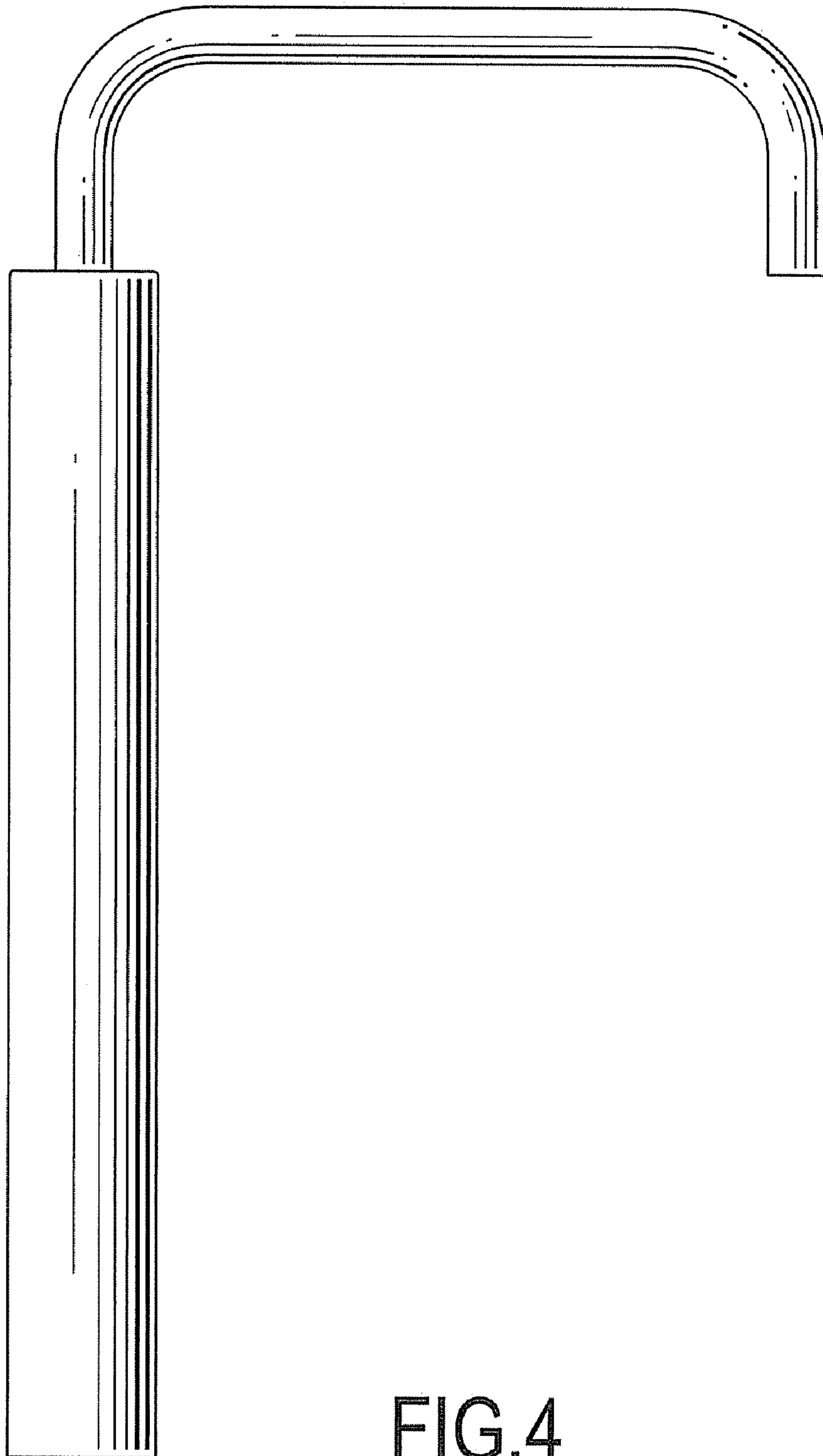


FIG. 3



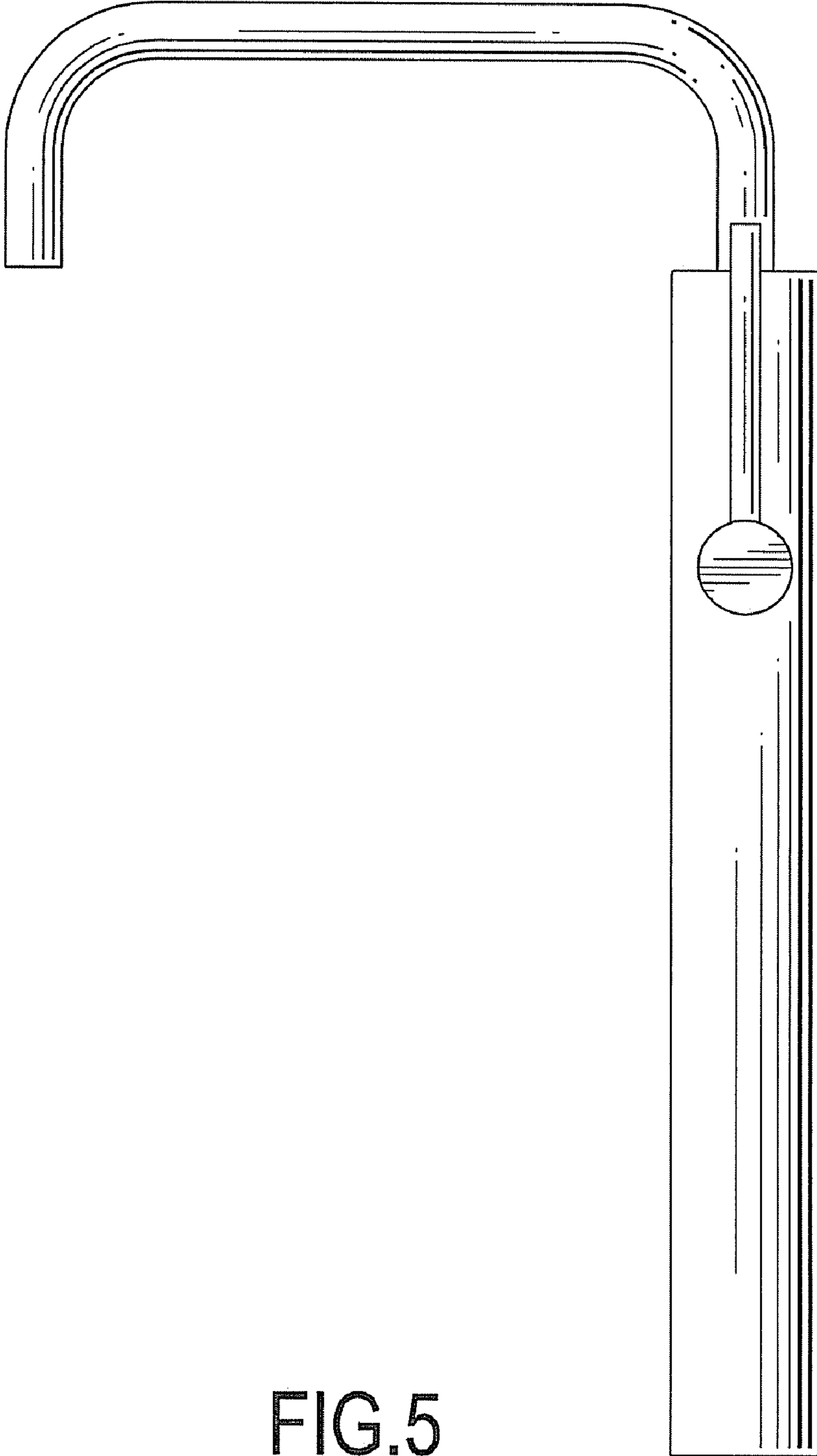


FIG.5

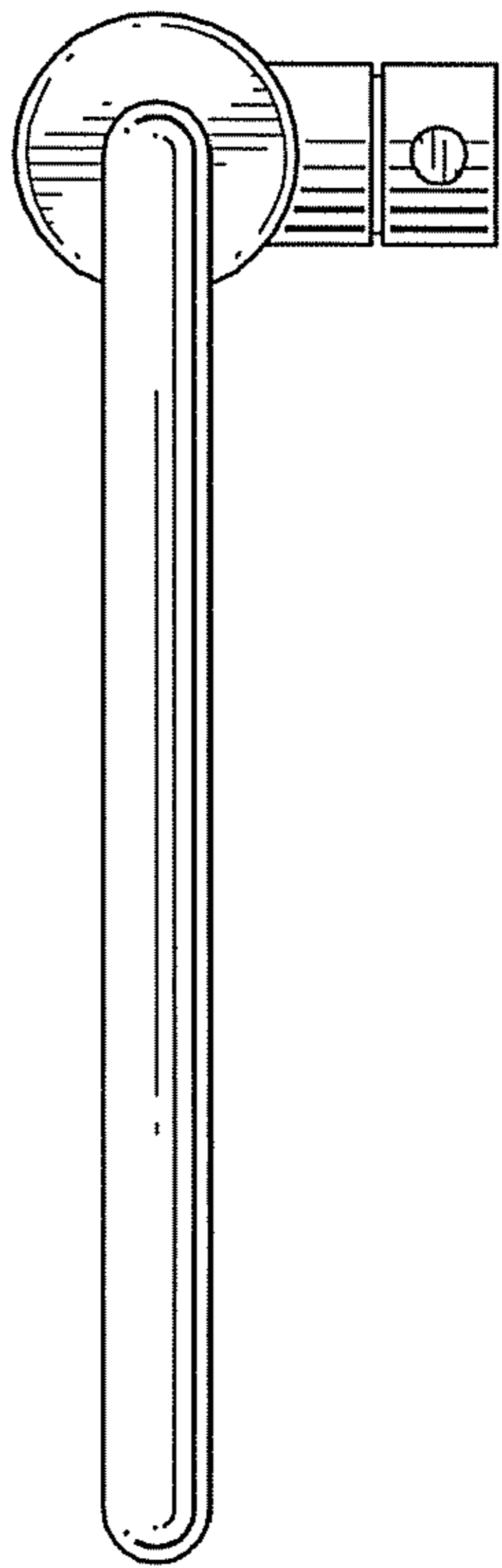


FIG. 6

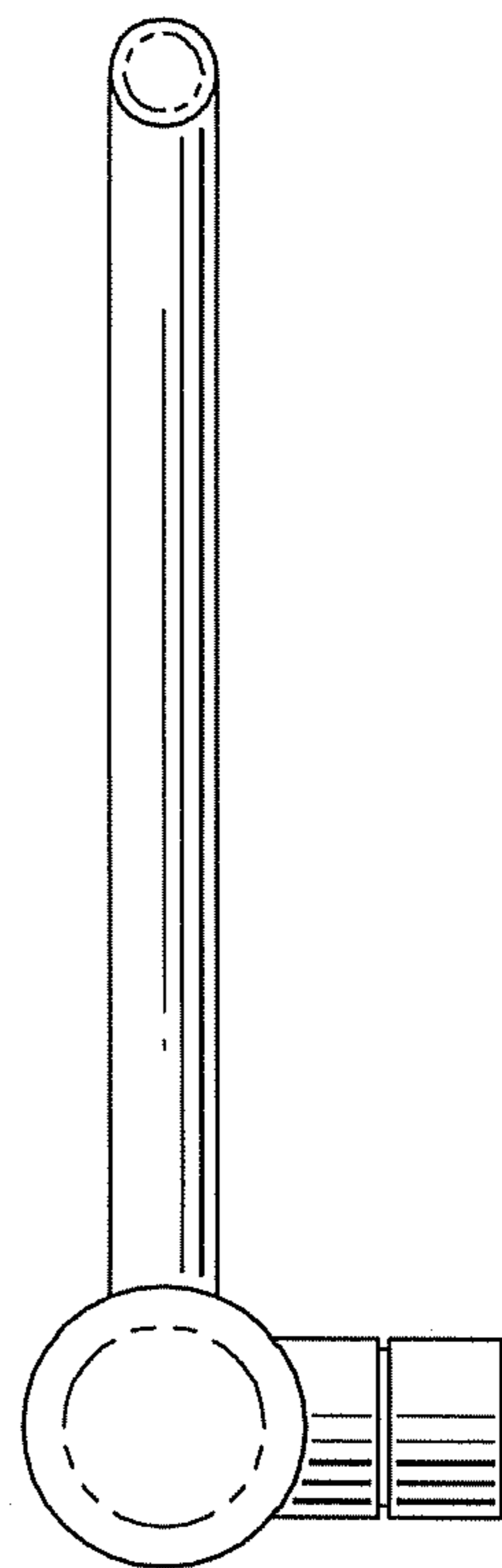


FIG. 7