



US00D615621S

(12) **United States Design Patent**  
**Pan**

(10) **Patent No.:** **US D615,621 S**

(45) **Date of Patent:** **\*\* May 11, 2010**

(54) **SPHERICAL FAUCET**

(75) Inventor: **Chia-Chen Pan**, Changhua Hsien (TW)

(73) Assignee: **Sheng Tai Brassware Co., Ltd.** (TW)

(\*\*) Term: **14 Years**

(21) Appl. No.: **29/311,503**

(22) Filed: **Apr. 2, 2009**

(51) **LOC (9) Cl.** ..... **23-01**

(52) **U.S. Cl.** ..... **D23/238**

(58) **Field of Classification Search** ..... D23/200,  
D23/238-257; D6/512, 546, 550; D8/300,  
D8/307-308, 310-312, 321; 4/675-678;  
137/801; 16/110.1, 441

See application file for complete search history.

(56) **References Cited**

**U.S. PATENT DOCUMENTS**

D51,289 S *	9/1917	Gerlin	.....	D23/238
D182,594 S *	4/1958	Gosby	.....	D23/238
D320,645 S *	10/1991	Knapp et al.	.....	D23/238
D321,751 S *	11/1991	Paul	.....	D23/242
D337,812 S *	7/1993	Bray	.....	D23/238
D350,591 S *	9/1994	Kawakami	.....	D23/238
D408,895 S *	4/1999	Lai	.....	D23/238
D444,539 S *	7/2001	Ker	.....	D23/238
D464,711 S *	10/2002	Warshawsky	.....	D23/243
D560,762 S *	1/2008	Eckhaus	.....	D23/249

\* cited by examiner

*Primary Examiner*—T. Chase Nelson

*Assistant Examiner*—Mark Cavanna

(74) *Attorney, Agent, or Firm*—HersHKovitz & Associates, LLC; Abraham HersHKovitz

(57) **CLAIM**

The ornamental design for a spherical faucet, as shown and described.

**DESCRIPTION**

FIG. 1 is a perspective view of a spherical faucet, showing my new design;

FIG. 2 is a front view thereof;

FIG. 3 is a rear view thereof;

FIG. 4 is a left side view thereof;

FIG. 5 is a right side view thereof;

FIG. 6 is a top view thereof; and

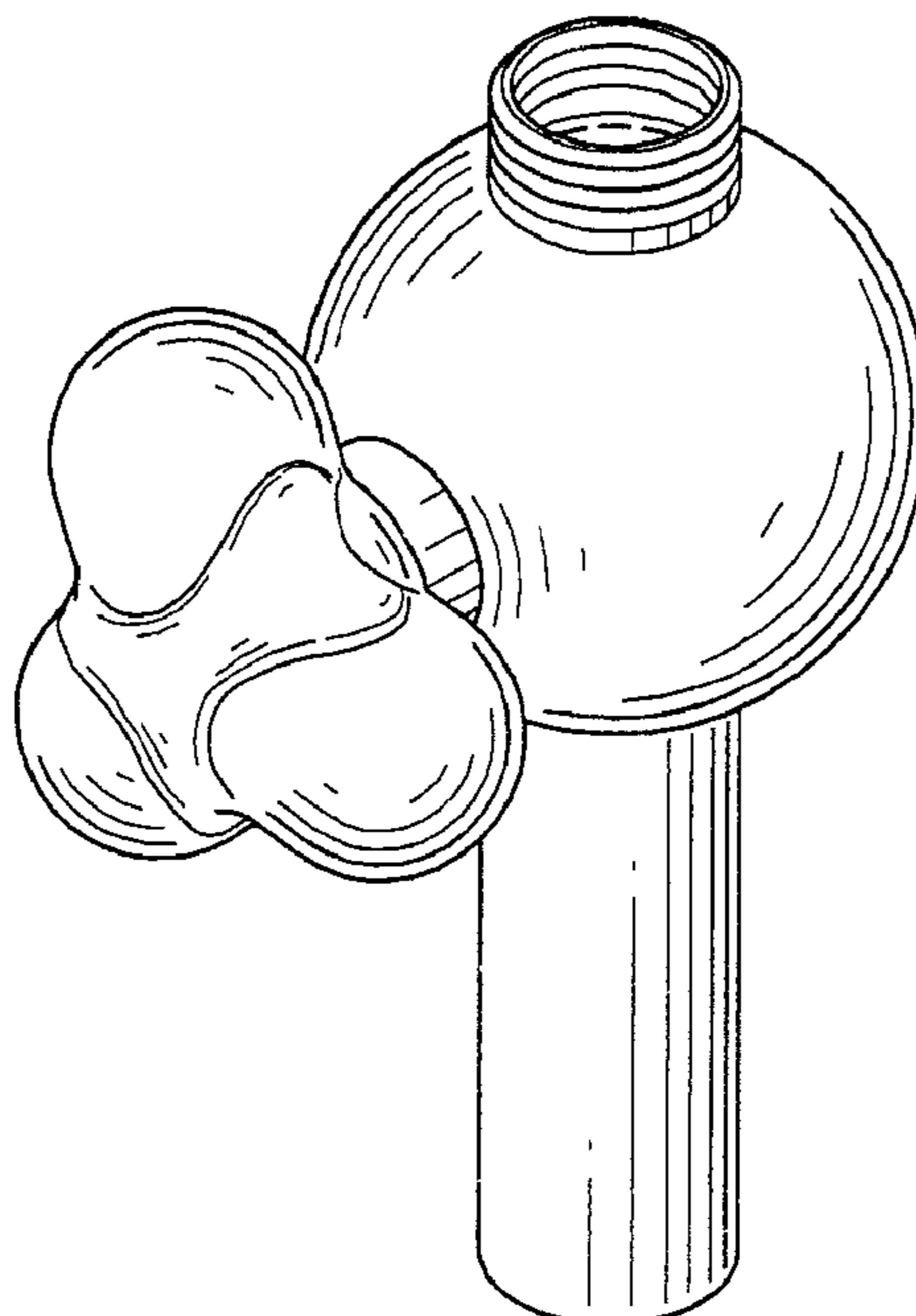
FIG. 7 is a bottom view thereof;

FIG. 8 is a perspective view showing the spherical faucet in a first condition of use; and,

FIG. 9 is a perspective view showing the spherical faucet a second condition of use.

The broken lines shown on the body of the spherical faucet are included for the purpose of illustrating portions of the spherical faucet that form no part of the claimed design. Broken lines also depict environmental structure that forms no part of the claimed design.

**1 Claim, 6 Drawing Sheets**



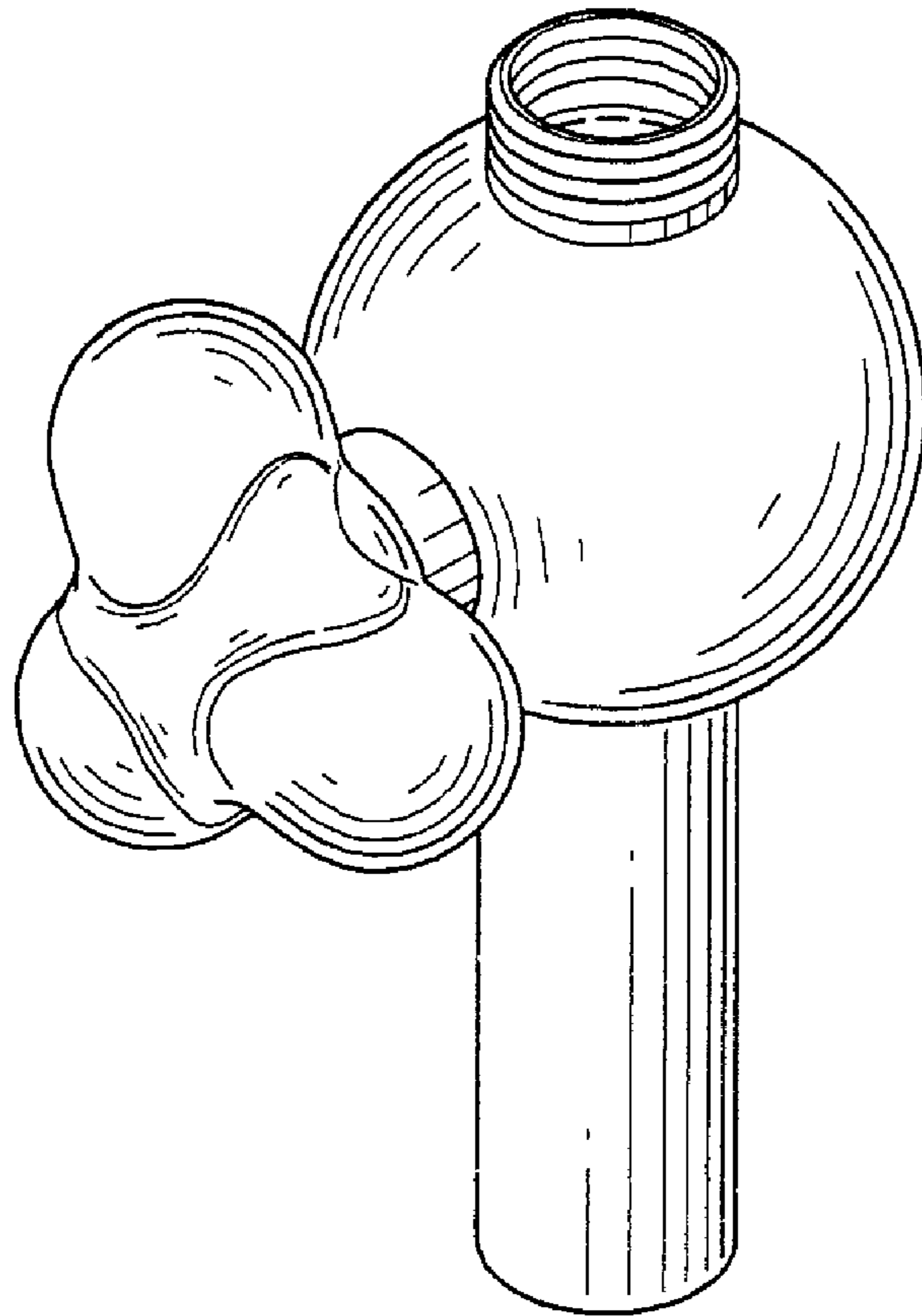


FIG. 1

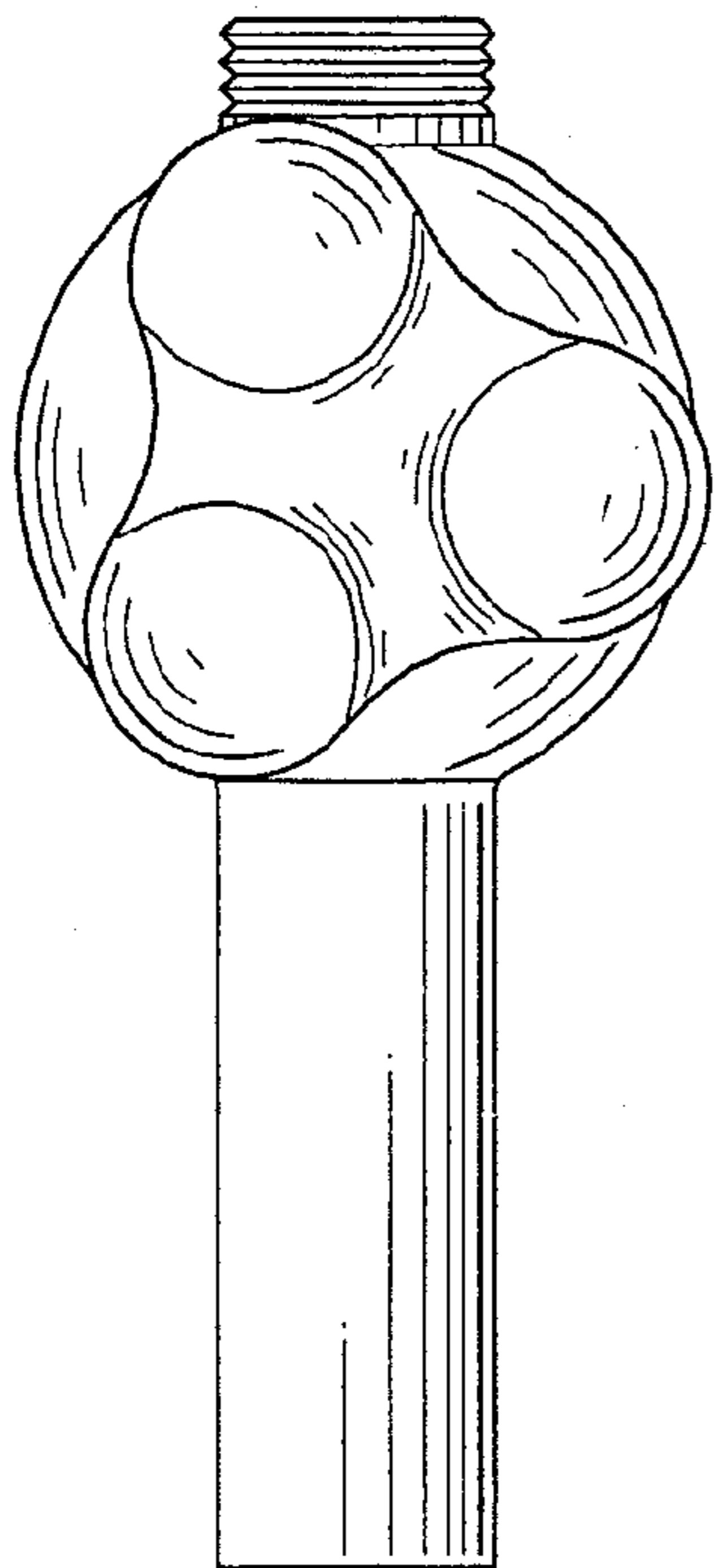


FIG. 2

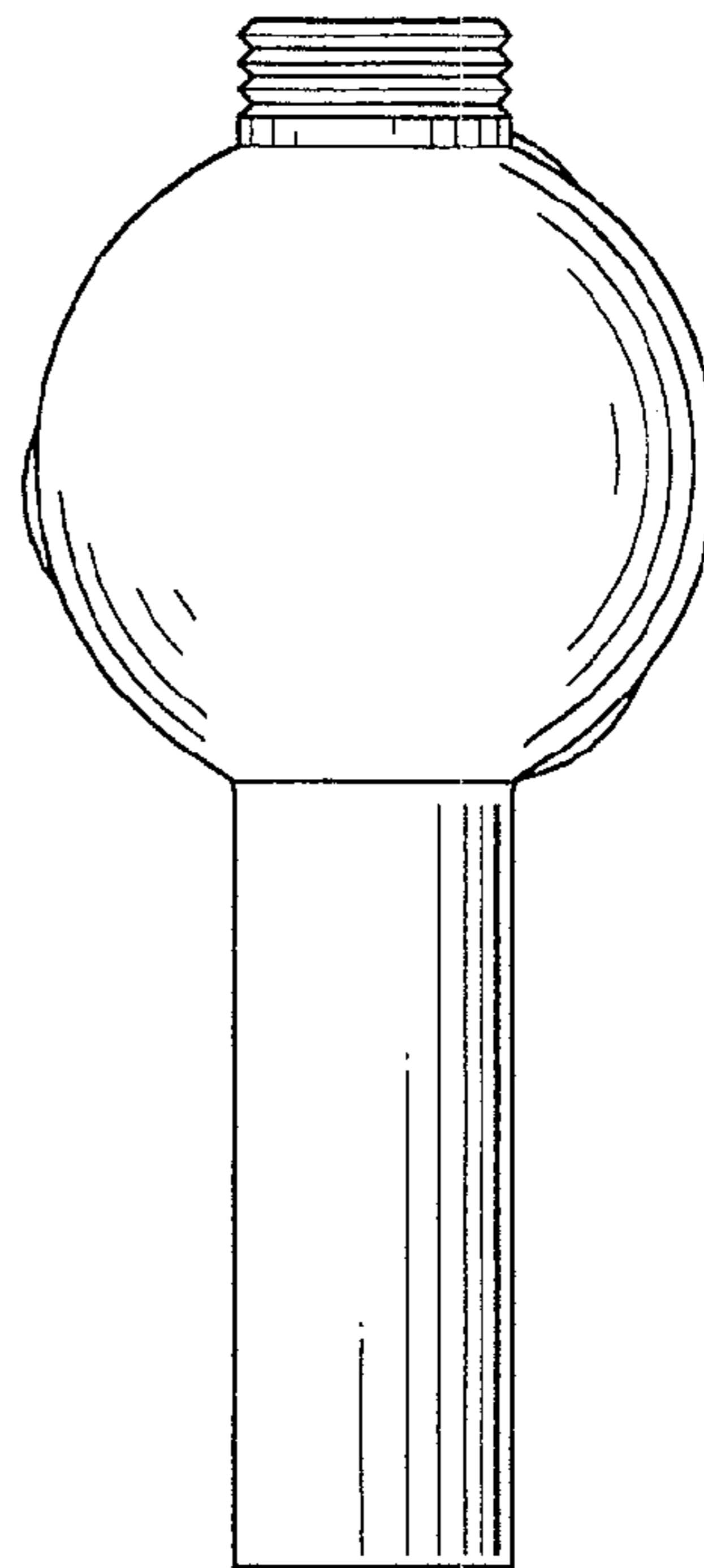


FIG. 3

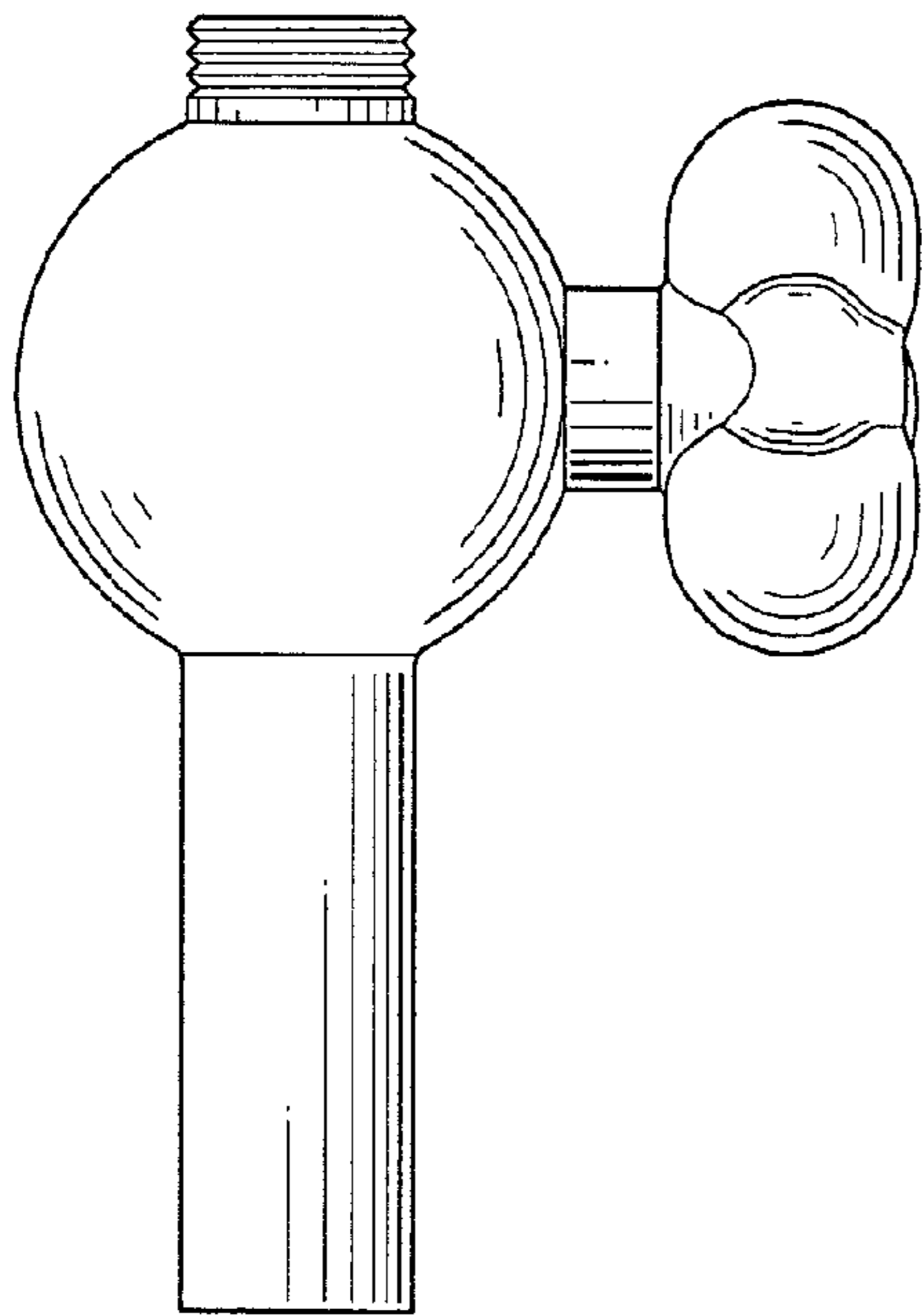


FIG.4

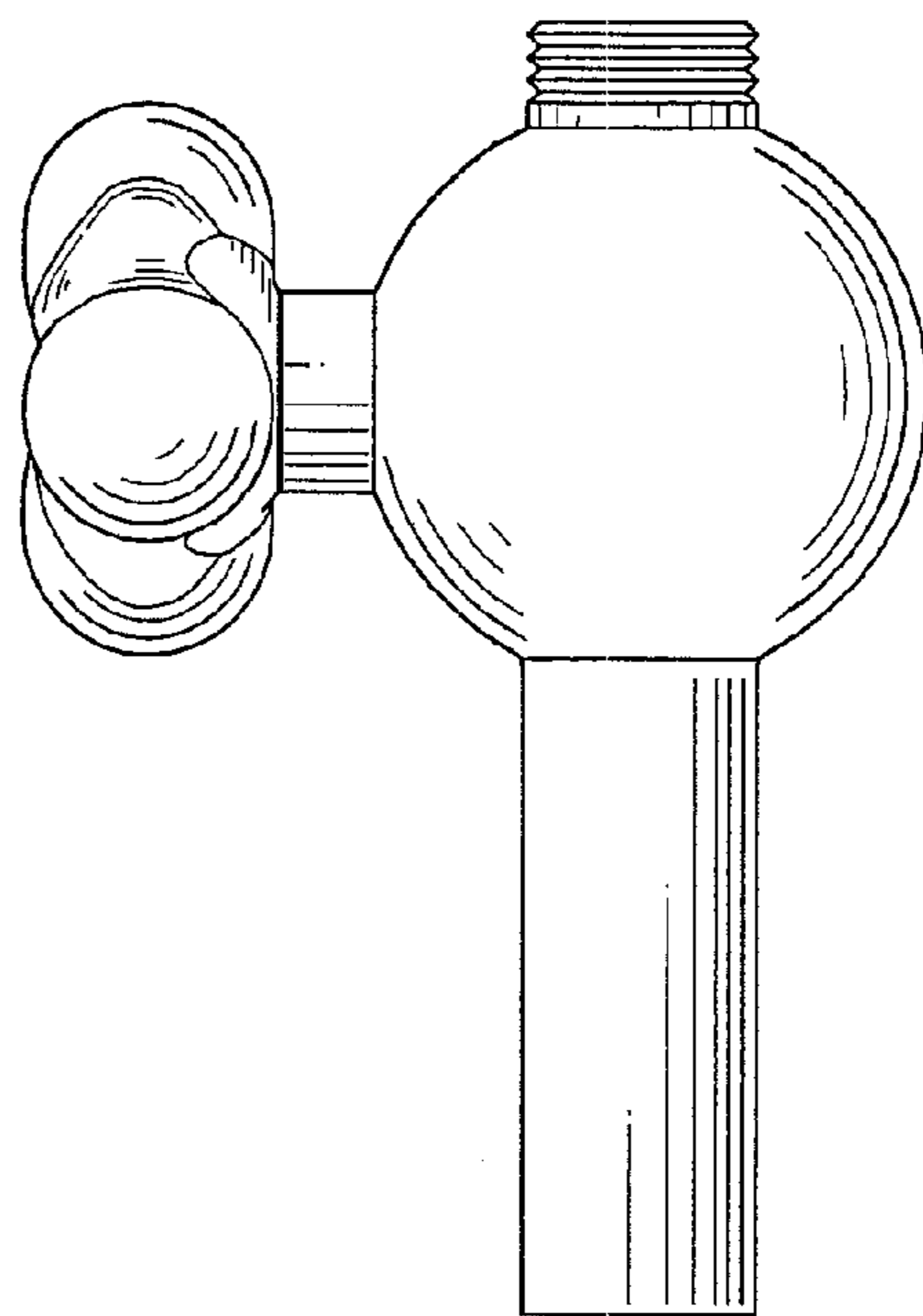


FIG.5

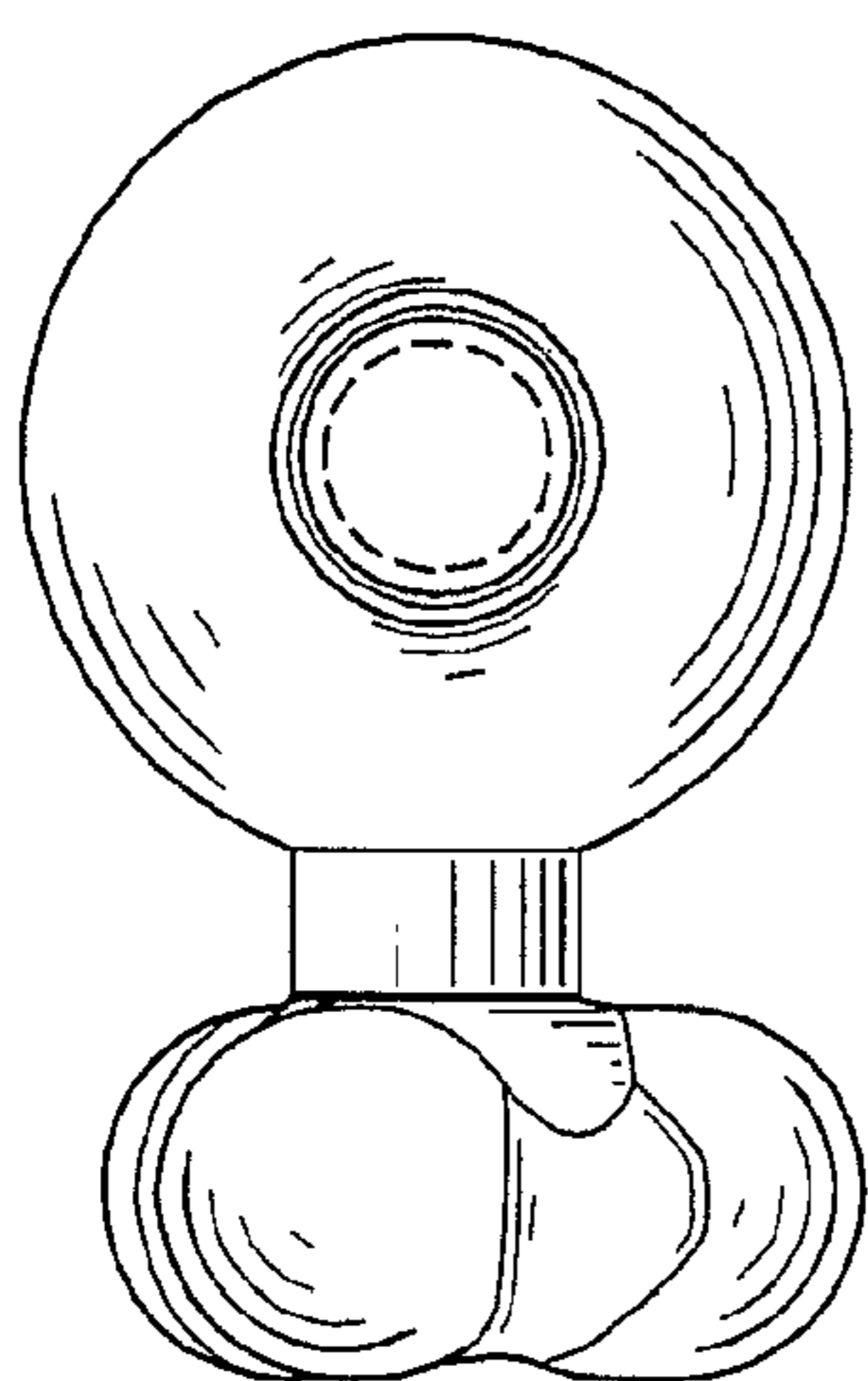


FIG. 6

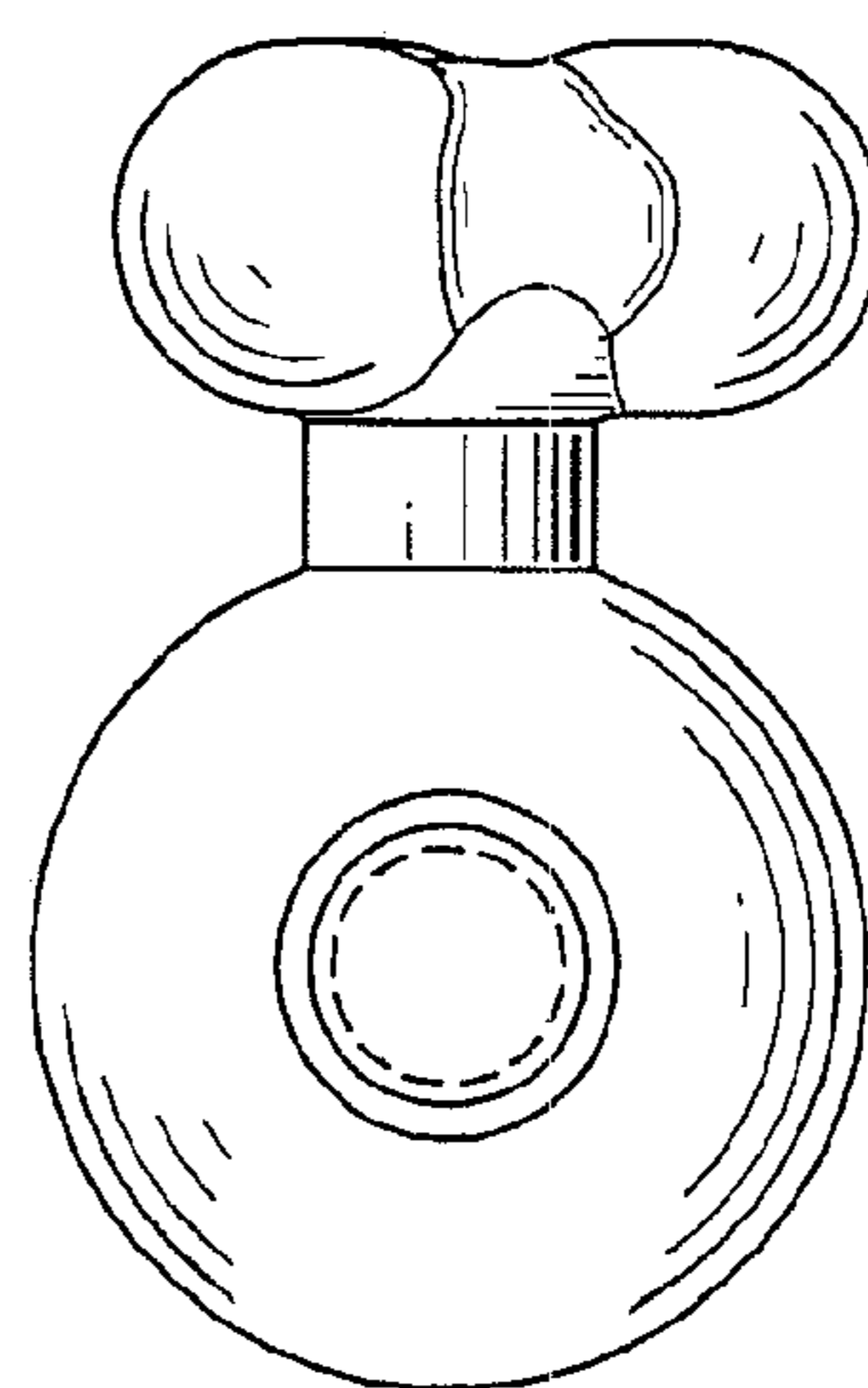
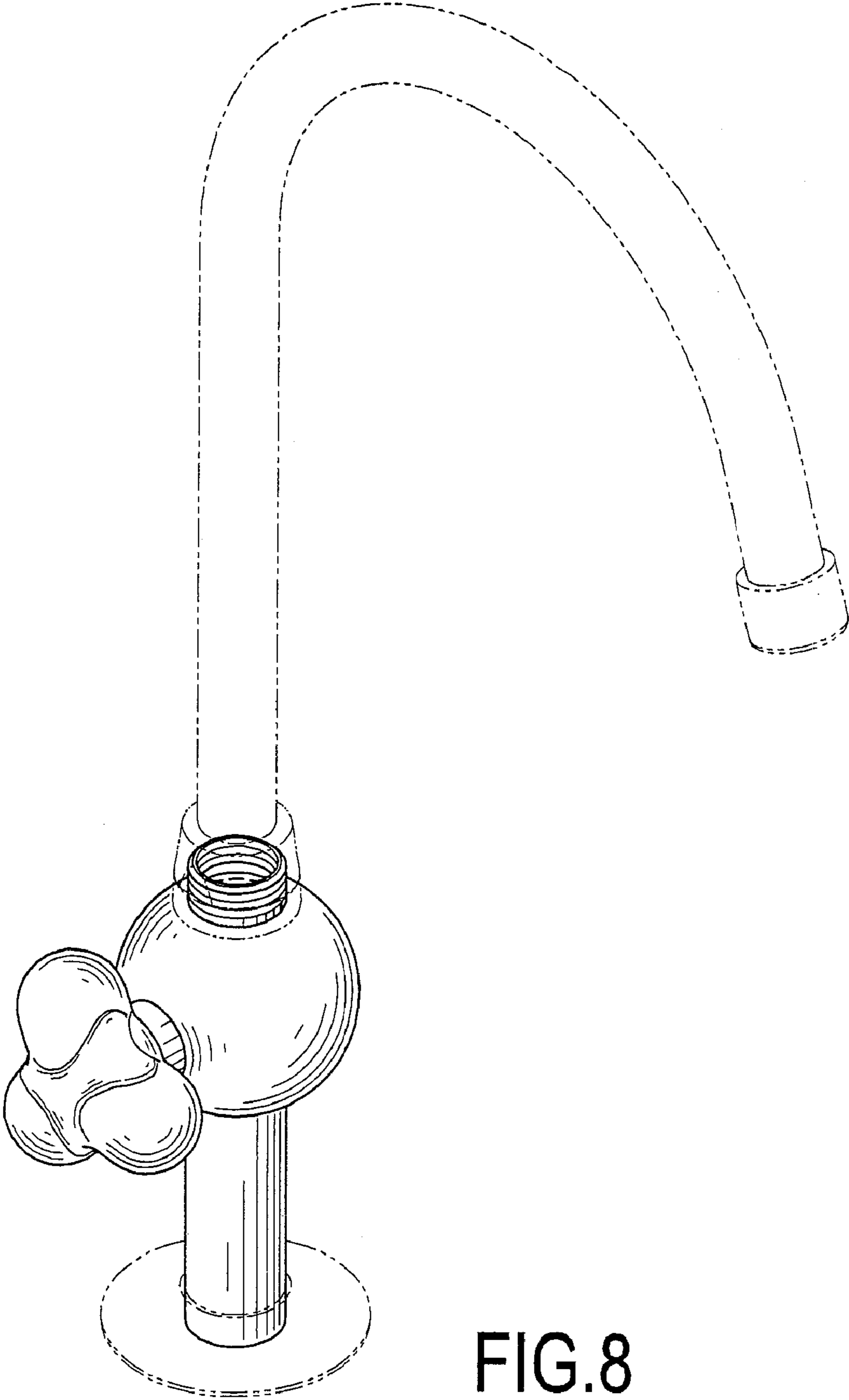


FIG. 7



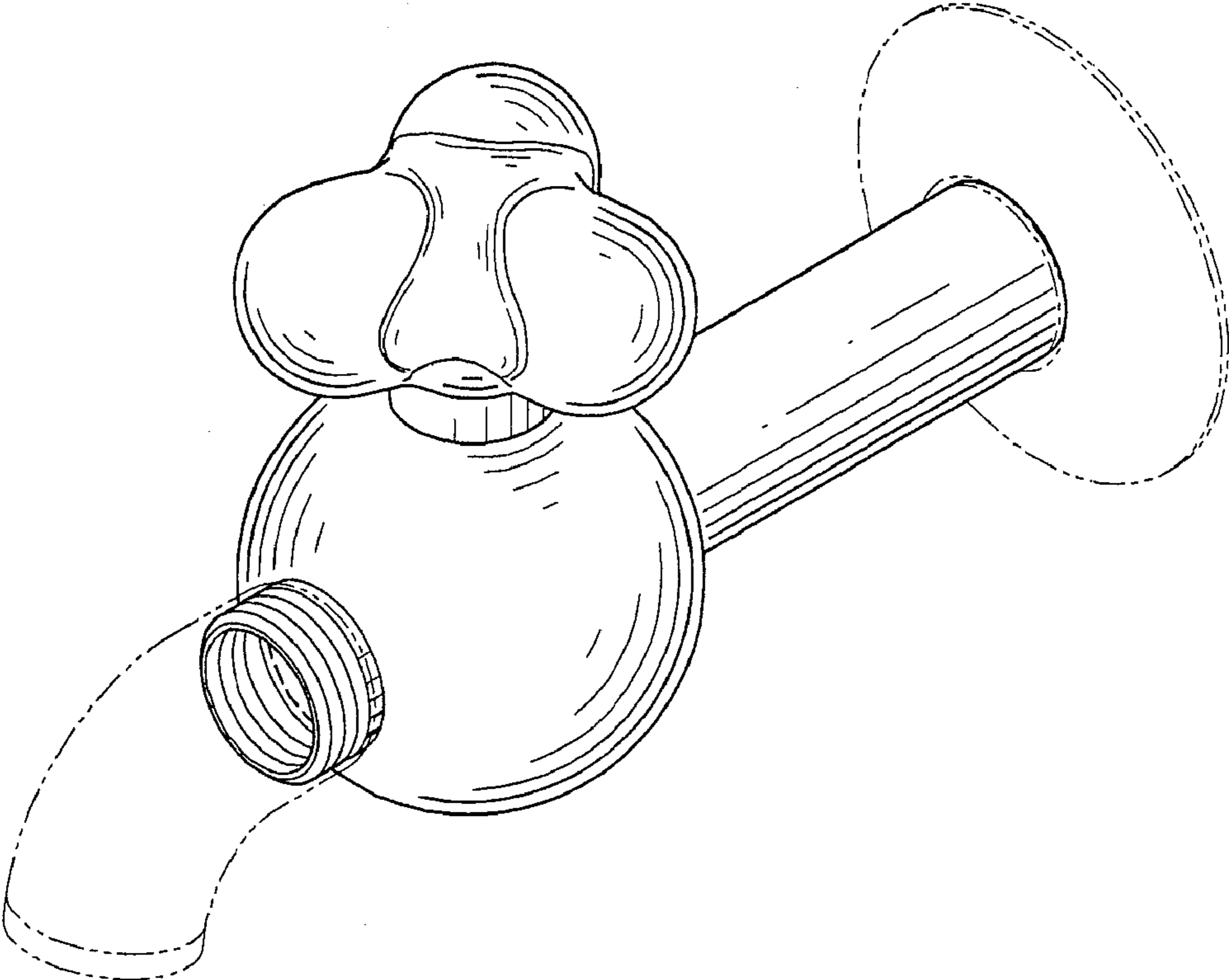


FIG.9