



US00D615618S

(12) **United States Design Patent**
Someya

(10) **Patent No.:** **US D615,618 S**
(45) **Date of Patent:** **** May 11, 2010**

(54) **SOLENOID VALVE**

(75) Inventor: **Masahiko Someya**, Tsukubamirai (JP)

(73) Assignee: **SMC Corporation**, Chiyoda-ku, Tokyo (JP)

(**) Term: **14 Years**

(21) Appl. No.: **29/308,298**

(22) Filed: **Jun. 9, 2008**

(30) **Foreign Application Priority Data**

Dec. 10, 2007 (JP) 2007-033748

(51) **LOC (9) Cl.** **23-01**

(52) **U.S. Cl.** **D23/233**

(58) **Field of Classification Search** D23/233-237,
D23/244-245; 137/625.64, 884; 251/129.15
See application file for complete search history.

(56) **References Cited**

U.S. PATENT DOCUMENTS

- D246,907 S * 1/1978 Fialkowski et al. D23/233
- D266,863 S * 11/1982 Mason D23/233
- D443,030 S * 5/2001 Kaneko et al. D23/233
- D459,441 S * 6/2002 Hayashi et al. D23/233
- 6,505,812 B1 * 1/2003 Anastas 251/129.07

7,377,481 B2 * 5/2008 Narita et al. 251/129.15

* cited by examiner

Primary Examiner—Cathron C. Brooks

Assistant Examiner—Maurice Stevens

(74) *Attorney, Agent, or Firm*—Yokoi & Co., U.S.A., Inc.;
Peter Ganjian

(57) **CLAIM**

The ornamental design for a solenoid valve, as shown and described.

DESCRIPTION

FIG. 1 shows a front view of a solenoid valve showing my new design;

FIG. 2 shows a rear view thereof;

FIG. 3 shows a right side view thereof;

FIG. 4 shows a left side view thereof;

FIG. 5 shows a top view thereof;

FIG. 6 shows a bottom view thereof; and,

FIG. 7 shows a top, front and right side perspective view thereof.

The portions of the design shown in broken lines in FIGS. 1, 2, and 7 are for the purpose of illustrating the environment only and form no part of the claimed design.

1 Claim, 4 Drawing Sheets

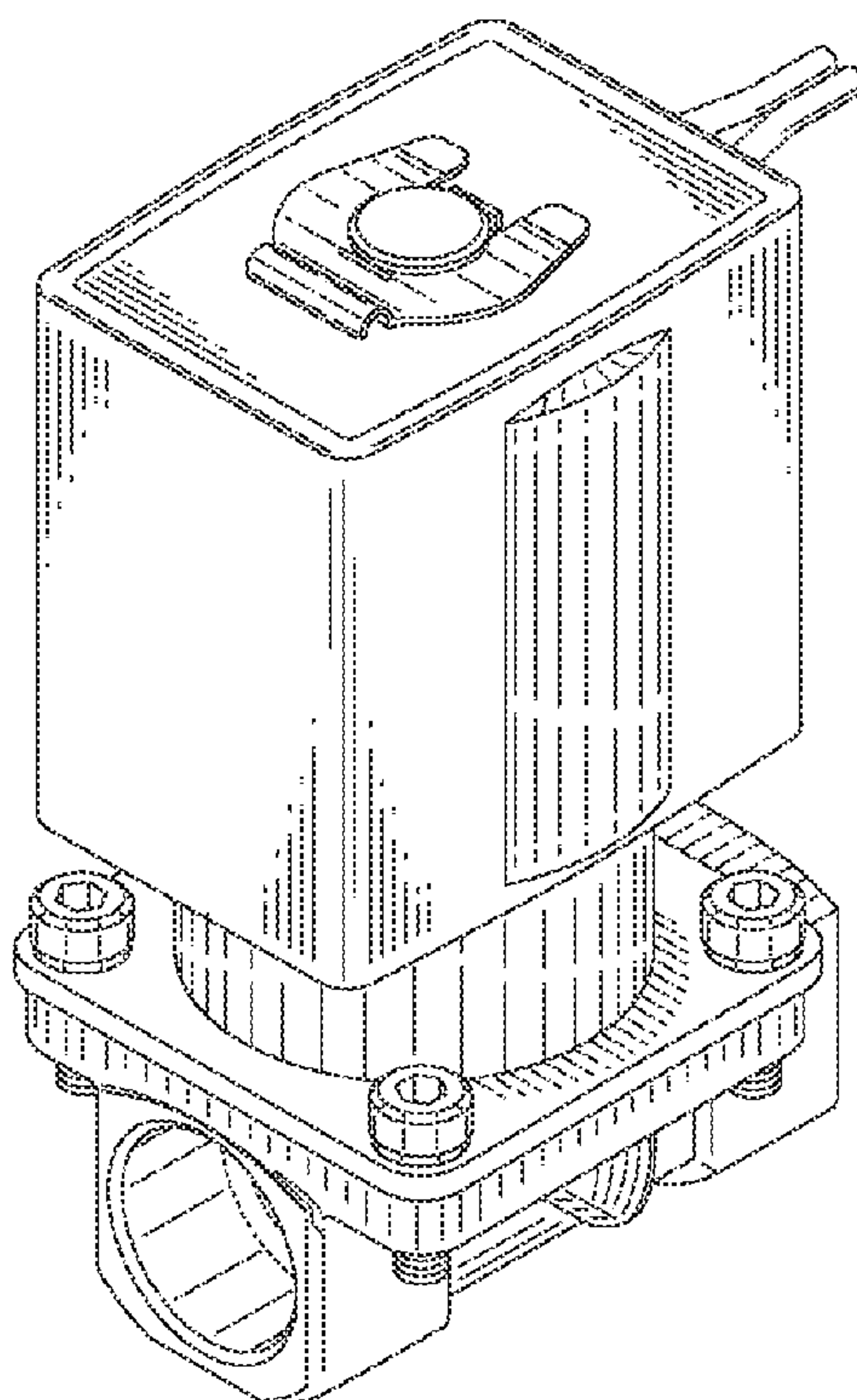


Fig. 1

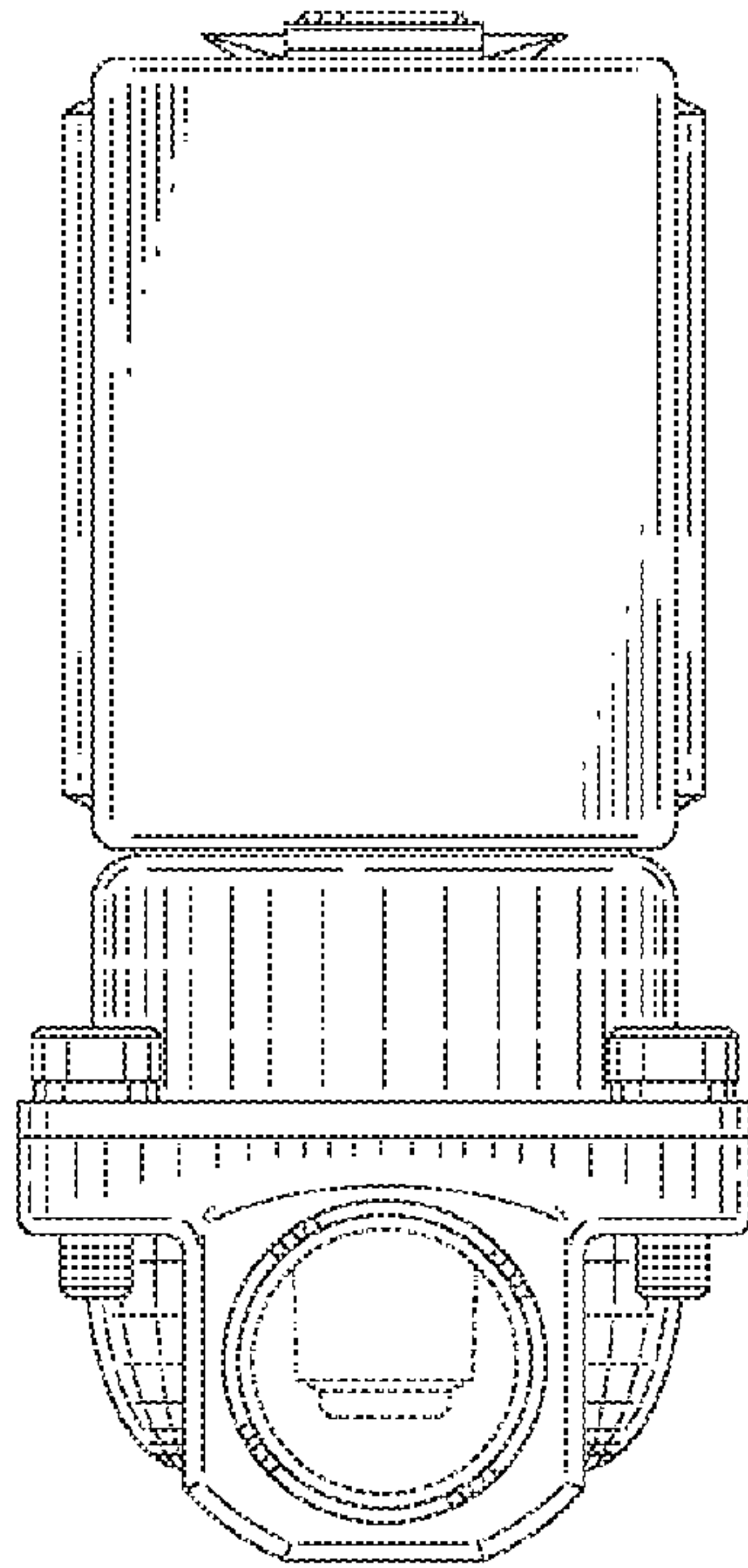


Fig. 2

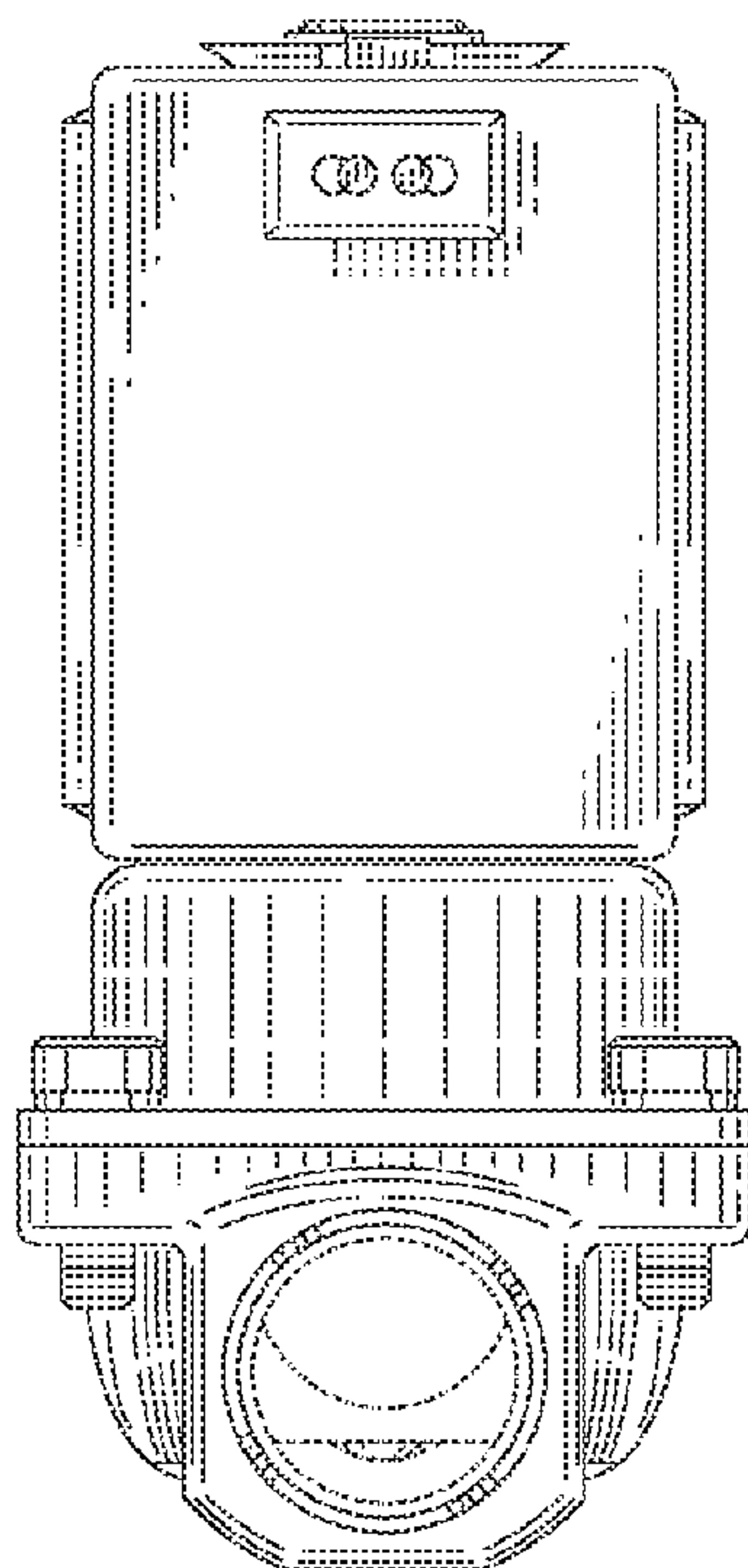


Fig. 3

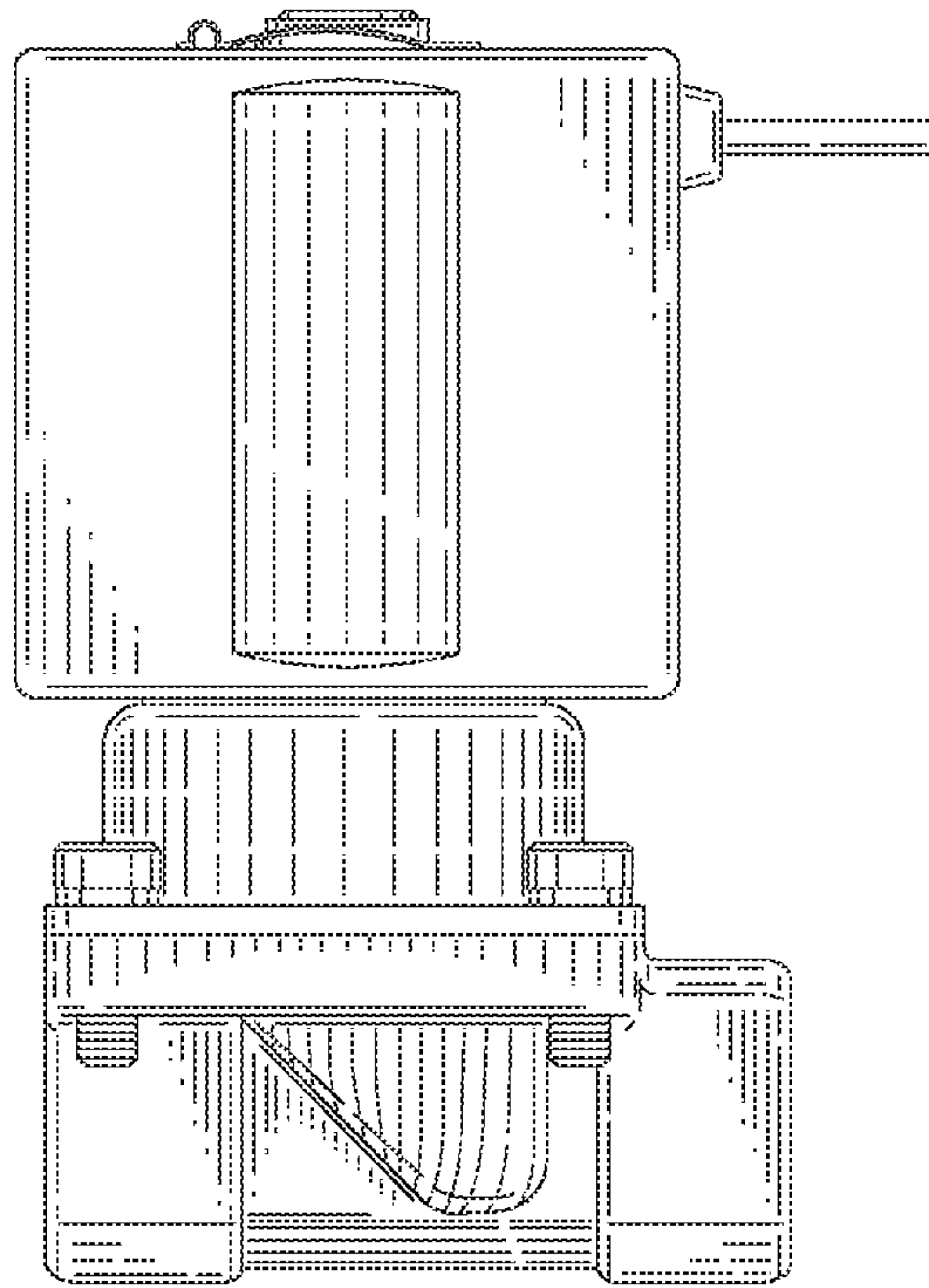


Fig. 4

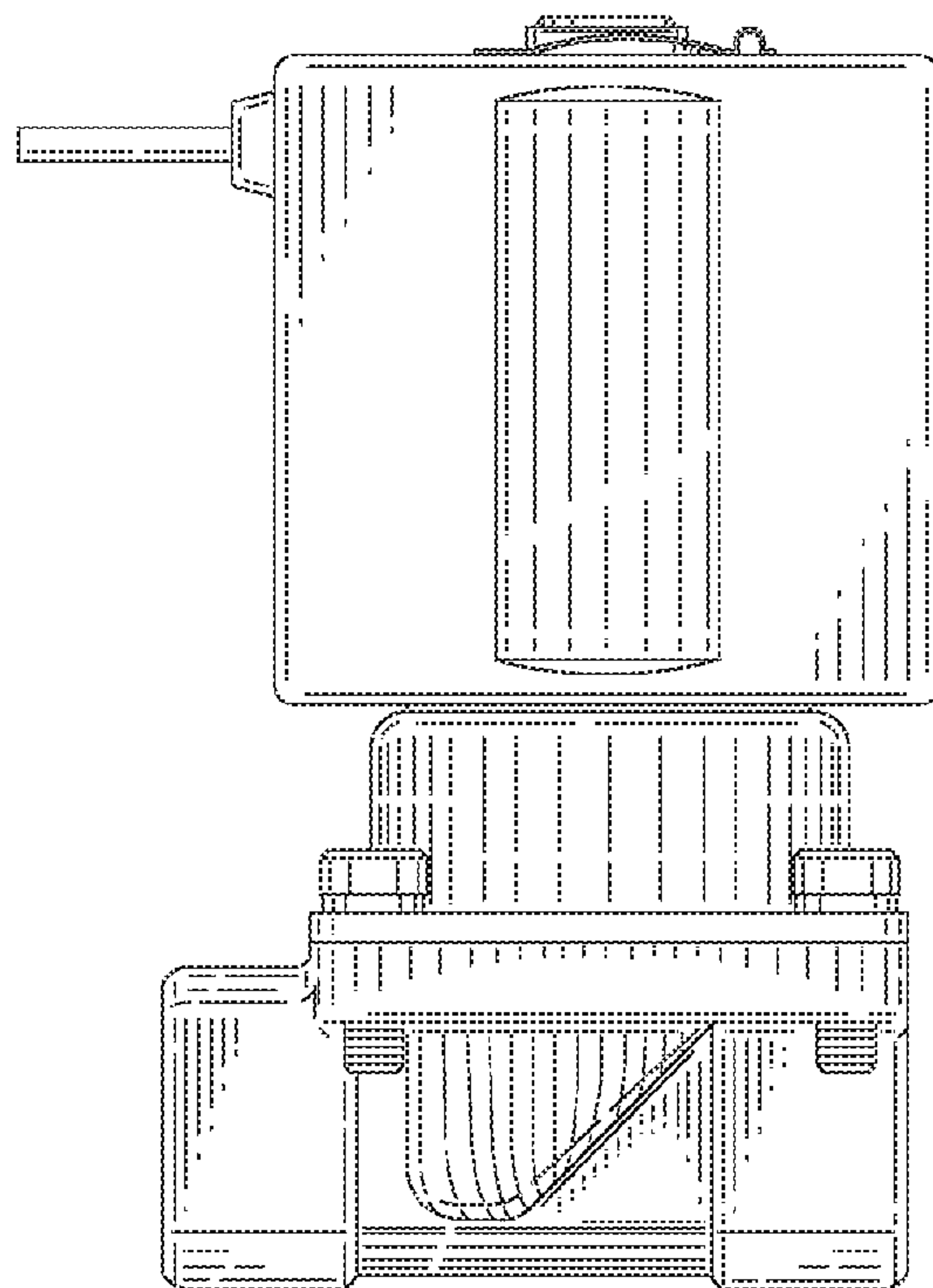


Fig. 5

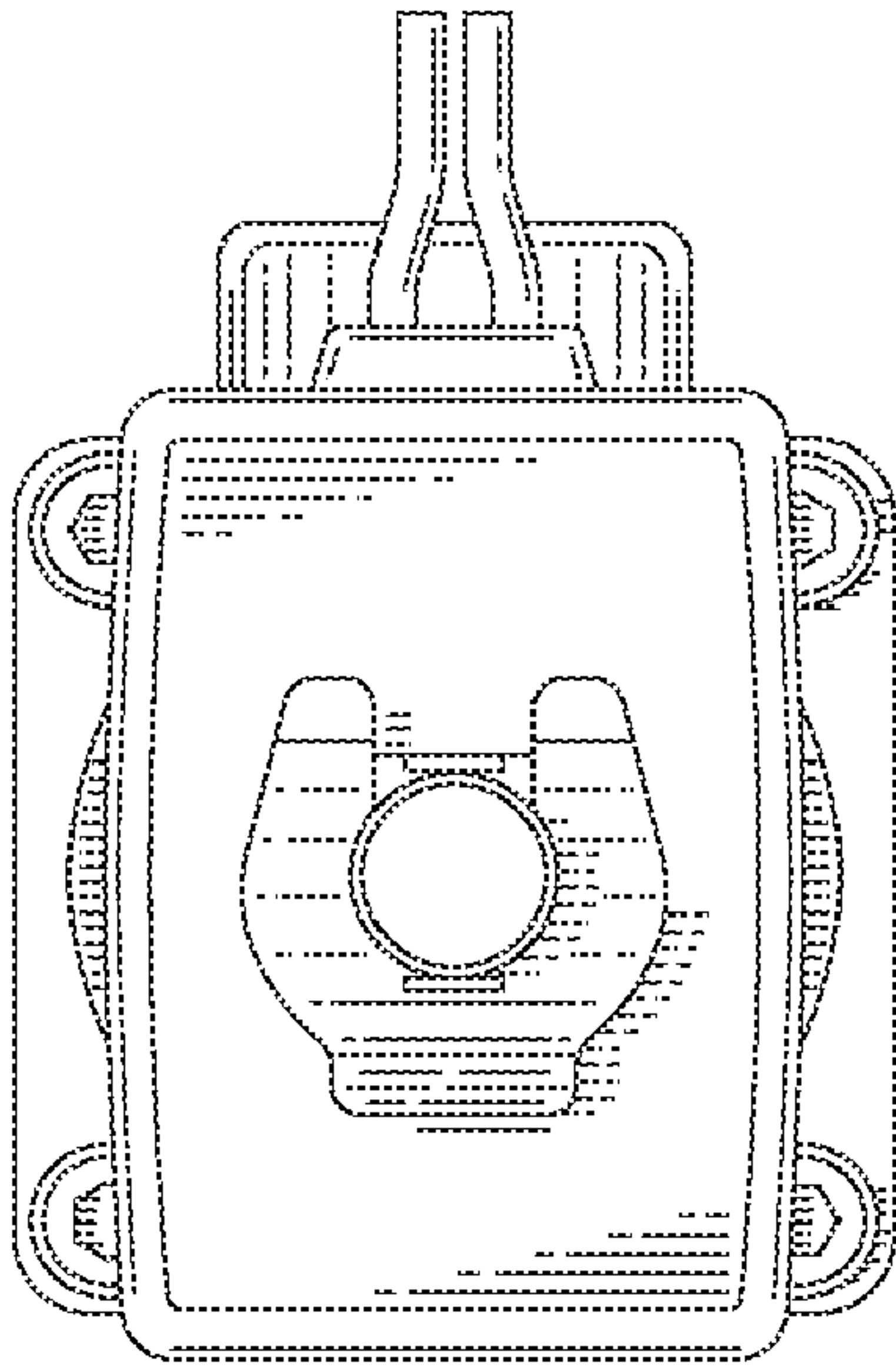


Fig. 6

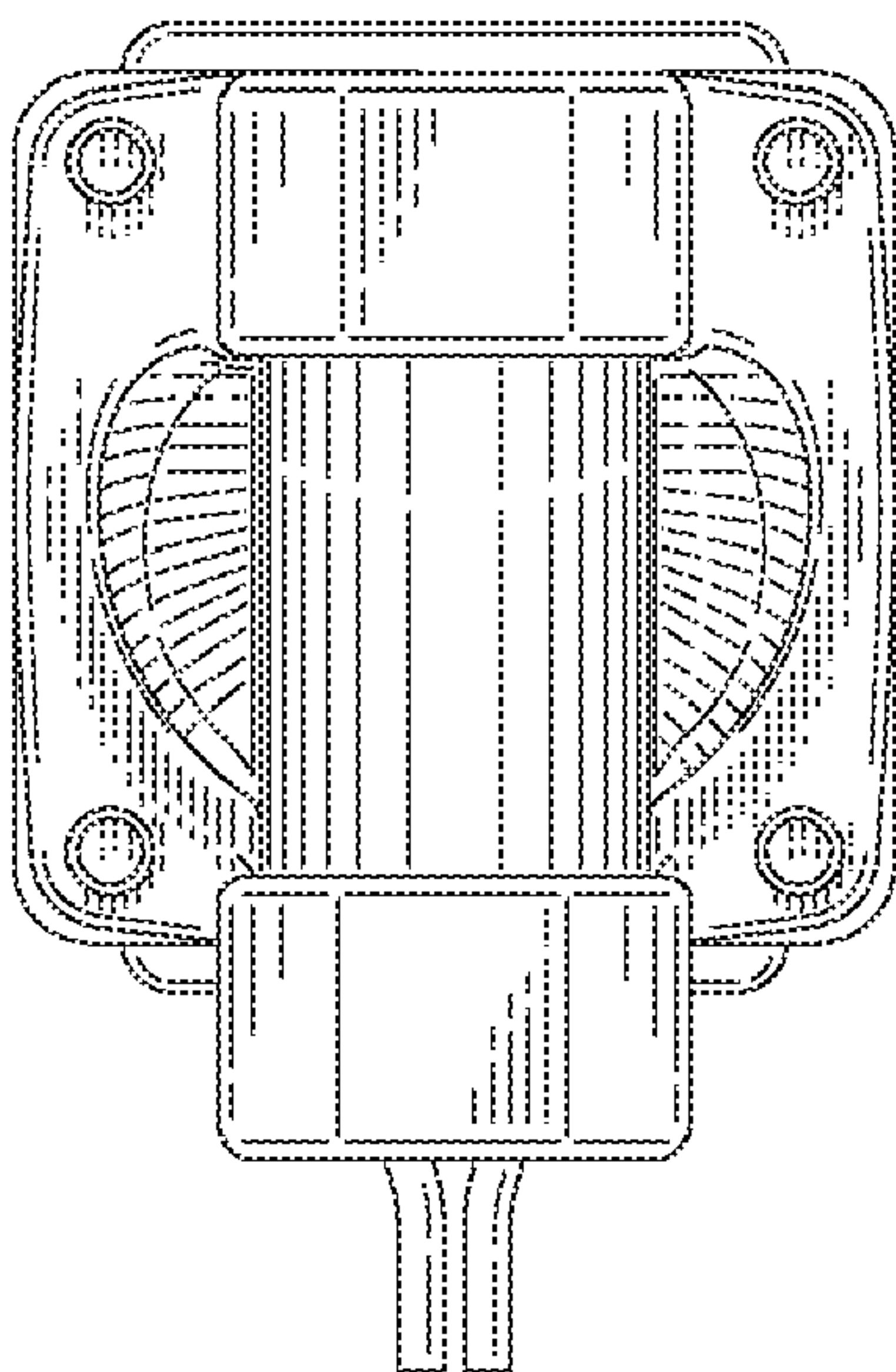


Fig. 7

