



US00D615617S

(12) **United States Design Patent**
Hutton

(10) **Patent No.:** **US D615,617 S**

(45) **Date of Patent:** **** May 11, 2010**

(54) **STABILIZER TAP BLOCK VALVE**

(76) **Inventor:** **Peter B. Hutton**, 1976 Vermont St.,
Houston, TX (US) 77019

(**) **Term:** **14 Years**

(21) **Appl. No.:** **29/282,743**

(22) **Filed:** **Jul. 27, 2007**

(51) **LOC (9) Cl.** **23-01**

(52) **U.S. Cl.** **D23/233**

(58) **Field of Classification Search** D23/254,
D23/249, 213, 258, 236, 233; D10/106;
700/85, 83; 345/156; 138/46; 340/407.2;
D13/168, 164; 137/299, 300, 138, 218, 594,
137/318; 73/861.27; 222/319, 519
See application file for complete search history.

(56) **References Cited**

U.S. PATENT DOCUMENTS

4,582,089	A	4/1986	Nimberger	
4,672,728	A	6/1987	Nimberger	
4,920,626	A	5/1990	Nimberger	
4,974,308	A	12/1990	Nimberger	
D426,616	S *	6/2000	Hui-Chen	D23/233
D429,518	S *	8/2000	Ferrer Beltran	D23/233
D470,222	S *	2/2003	Nortier	D23/233
D478,965	S *	8/2003	Ferrer Beltran	D23/233
6,871,881	B1	3/2005	Hutton	
D541,379	S *	4/2007	Nortier	D23/233

D542,888	S *	5/2007	Ye et al.	D23/233
D607,538	S *	1/2010	Nun	D23/233
D609,306	S *	2/2010	Moriyama	D23/233
D610,652	S *	2/2010	Ben-Nun	D23/233

* cited by examiner

Primary Examiner—Cathron C Brooks

Assistant Examiner—Austin Murphy

(74) *Attorney, Agent, or Firm*—Novak Druce & Quigg LLP

(57) **CLAIM**

The ornamental design for a stabilizer tap block valve, as shown and described.

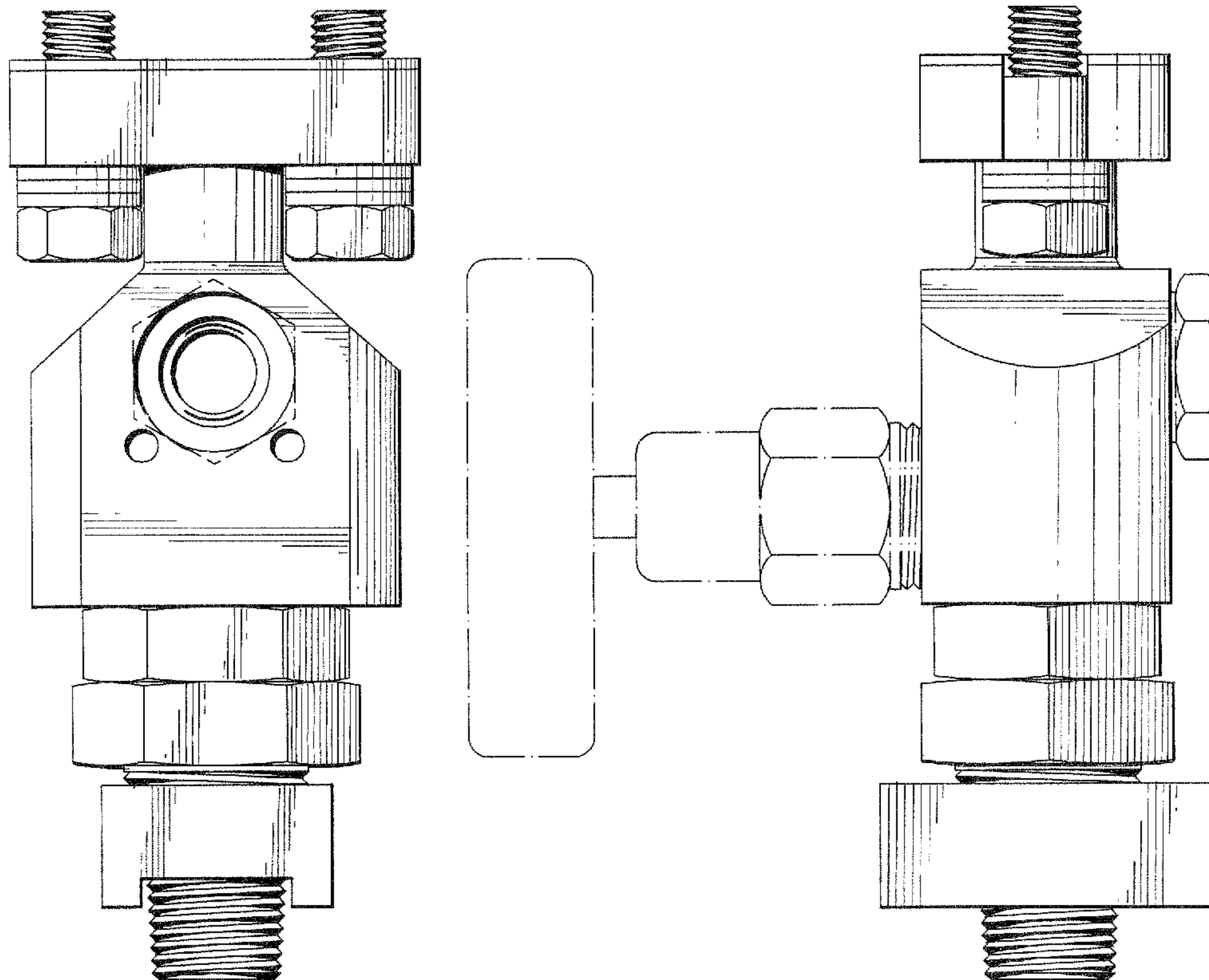
DESCRIPTION

FIG. 1 is a right side view of the valve of the present invention; FIG. 2 is a left side view of the valve of the invention; FIG. 3 is a top view of the valve of the invention; FIG. 4 is a bottom view of the valve of the invention; FIG. 5 is a front view of the valve of the invention; and, FIG. 6 is a cross sectional view taken along line 6—6 of FIG. 3.

The rear view of the valve of the invention is a mirror image of FIG. 5.

The dotted lines are for illustrative purpose and form no part of the ornamental design.

1 Claim, 3 Drawing Sheets



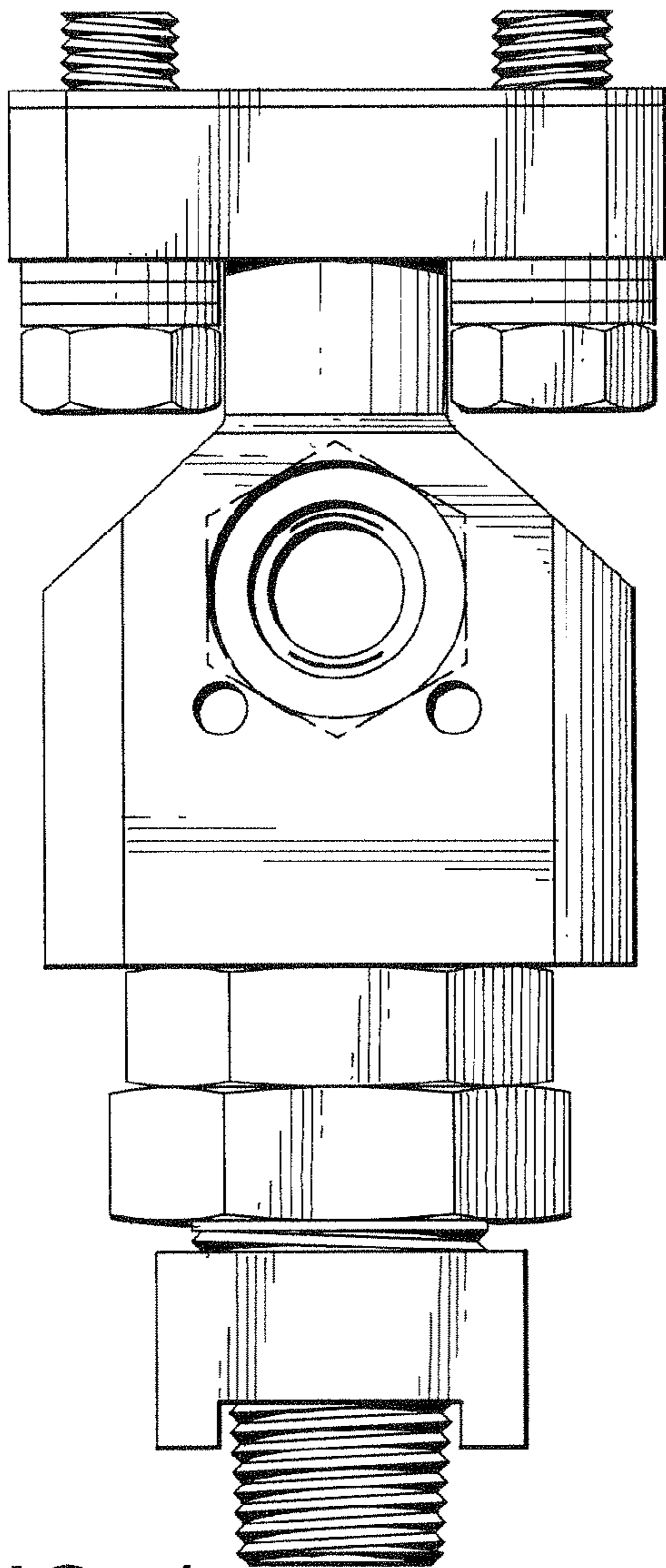


FIG. 1

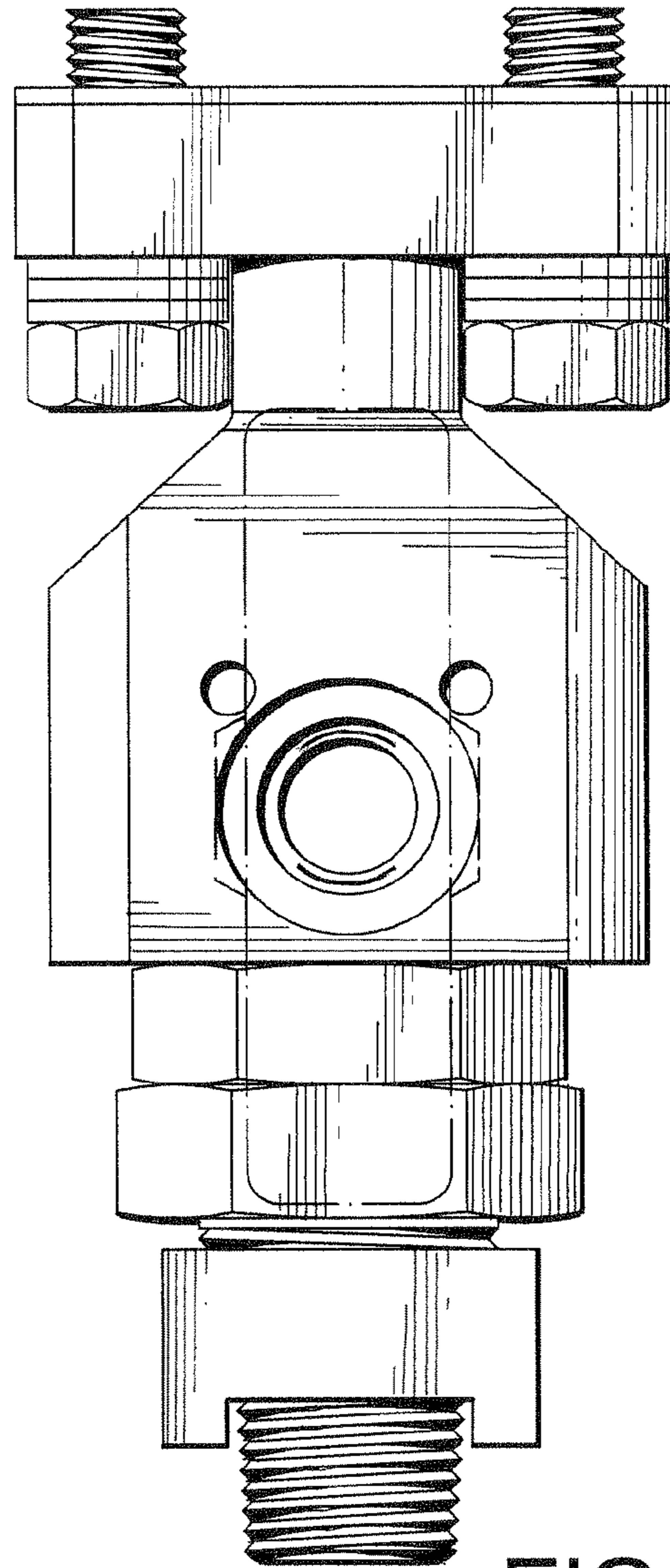


FIG. 2

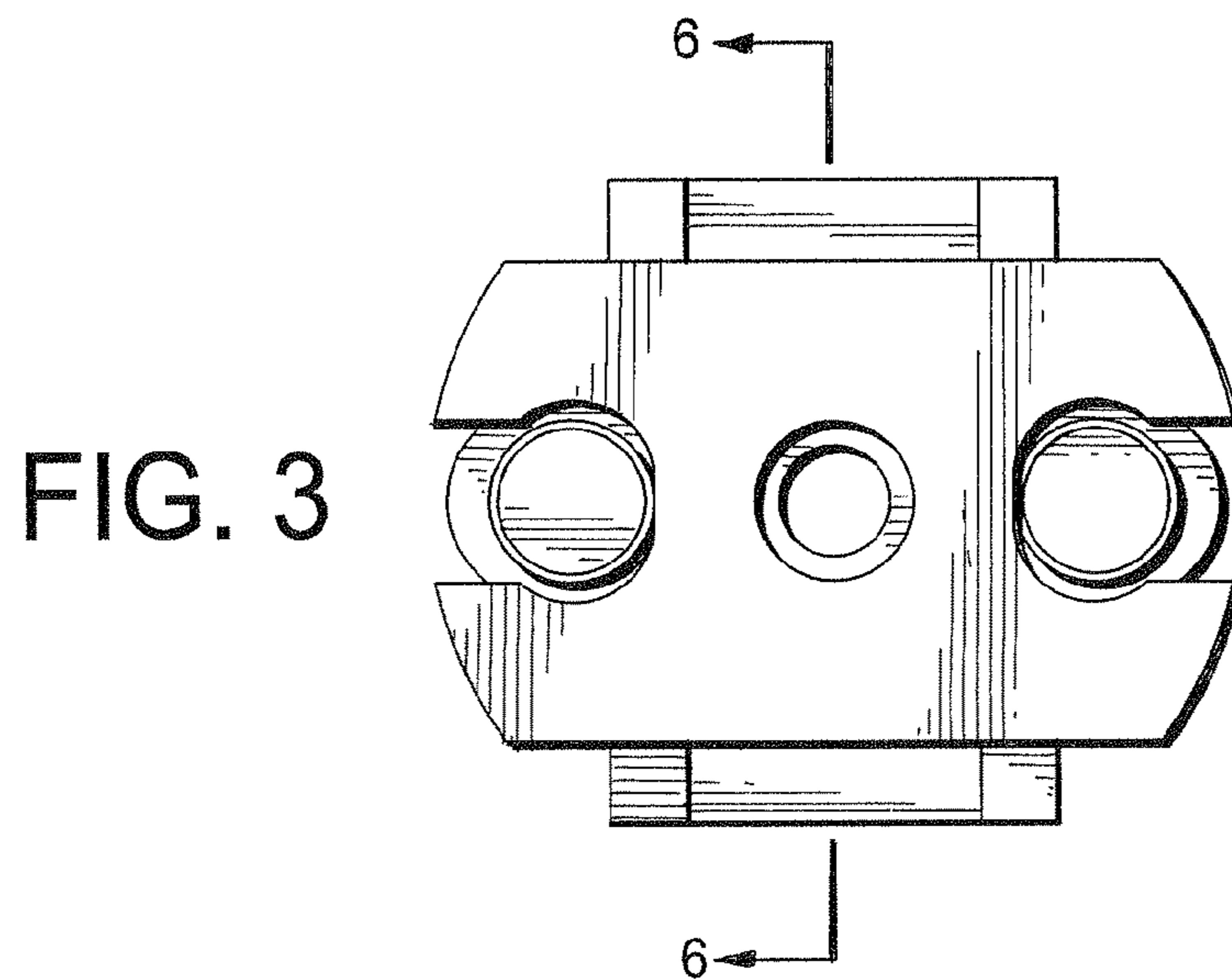


FIG. 3

FIG. 4

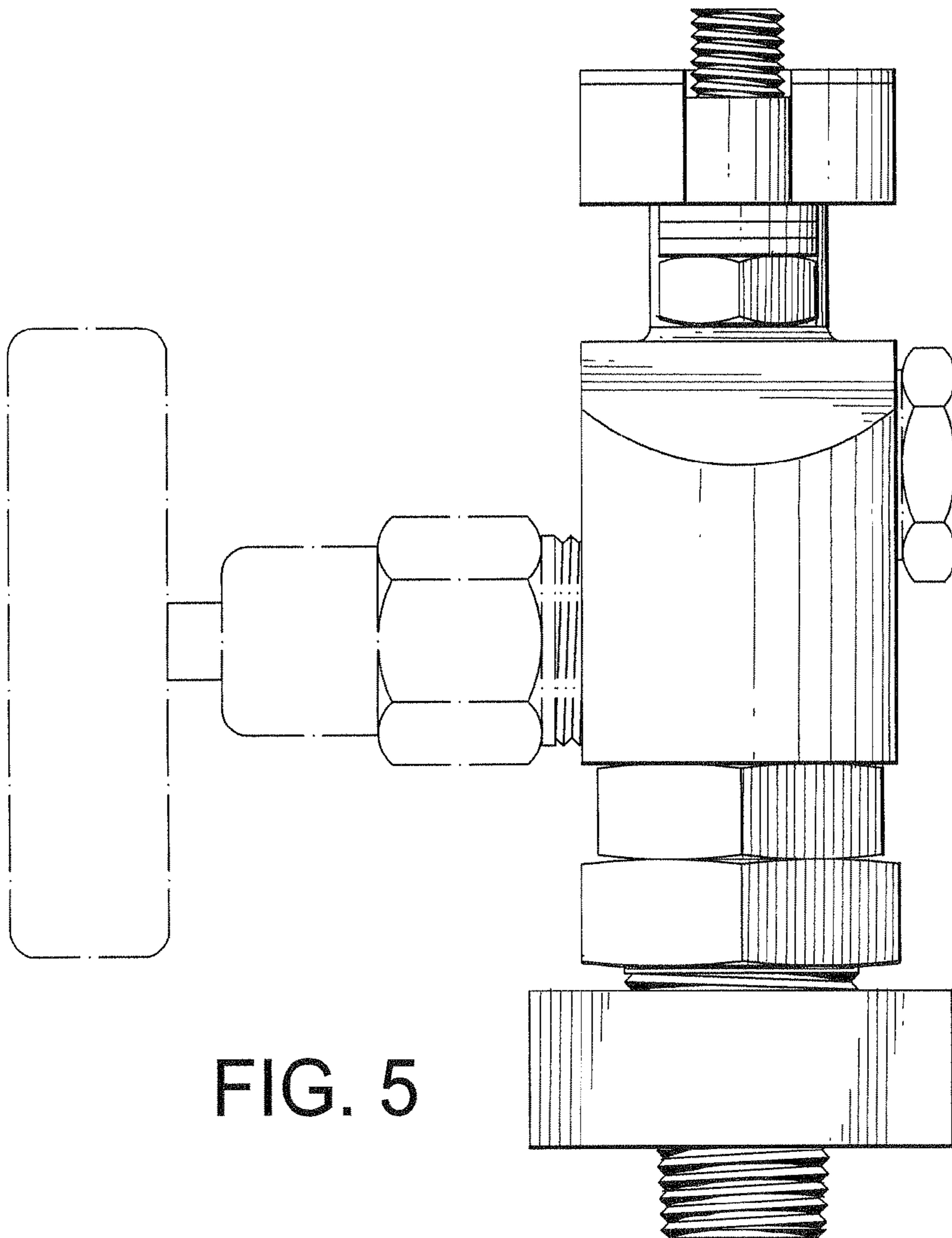
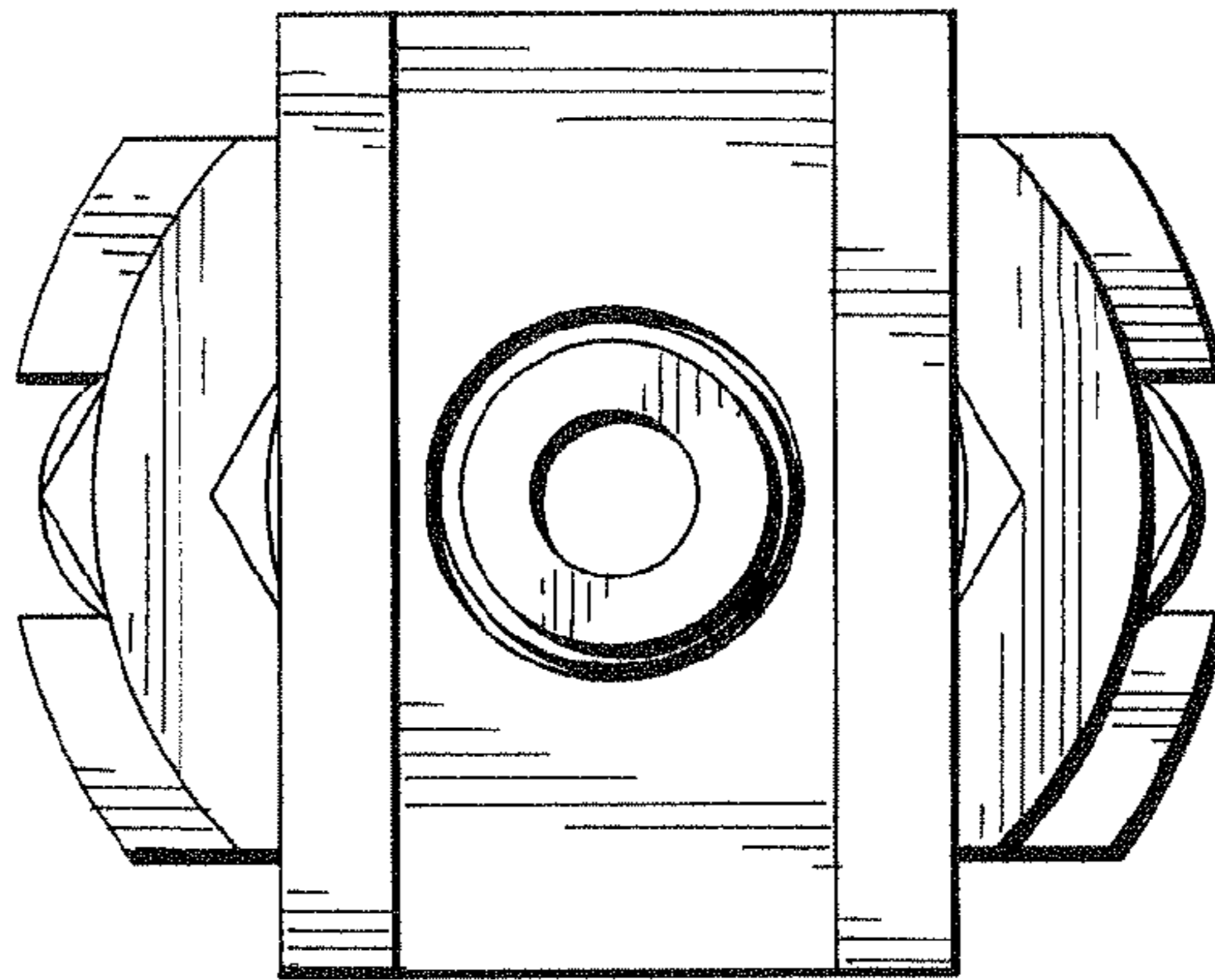


FIG. 5

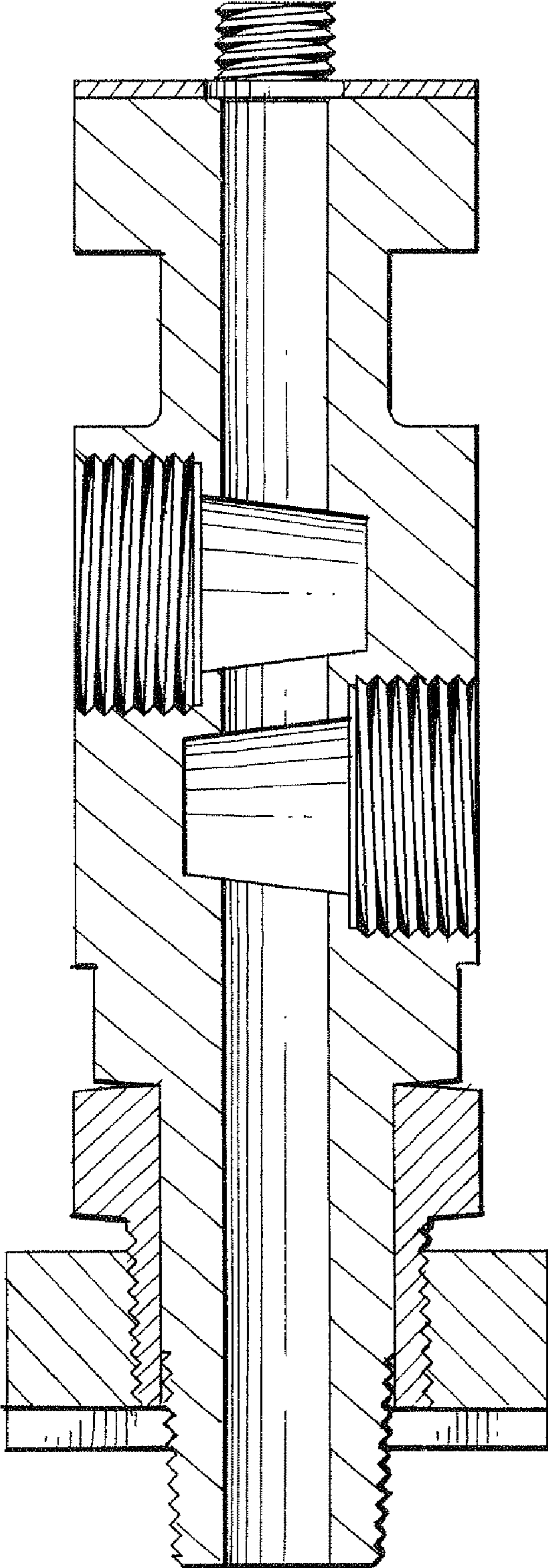


FIG. 6