



US00D615616S

(12) **United States Design Patent**
Chen

(10) **Patent No.:** **US D615,616 S**

(45) **Date of Patent:** **** May 11, 2010**

(54) **HAND-HELD WATER SPRAY GUN**

7,445,167 B1 * 11/2008 Chen 239/525
7,516,910 B1 * 4/2009 DeWall et al. 239/526

(75) Inventor: **Chin-Yuan Chen**, Lu-Kang Town (TW)

* cited by examiner

(73) Assignee: **Shin Tai Spurt Water Of The Garden Tools Co., Ltd.**, Lu-Kang Town (TW)

Primary Examiner—Robin V Webster

(**) Term: **14 Years**

(57) **CLAIM**

(21) Appl. No.: **29/342,114**

The ornamental design for a hand-held water spray gun, as shown and described.

(22) Filed: **Aug. 19, 2009**

DESCRIPTION

(51) **LOC (9) Cl.** **23-01**

FIG. 1 is a perspective view of a hand-held water spray gun showing my new design;

(52) **U.S. Cl.** **D23/226**

FIG. 2 is a front view of the embodiment shown in FIG. 1;

(58) **Field of Classification Search** D23/213,
D23/223, 226; 239/525–527

FIG. 3 is a rear view of the embodiment shown in FIG. 1;

See application file for complete search history.

FIG. 4 is a left side view of the embodiment shown in FIG. 1;

FIG. 5 is a right side view of the embodiment shown in FIG. 1;

FIG. 6 is a top view of the embodiment shown in FIG. 1; and,

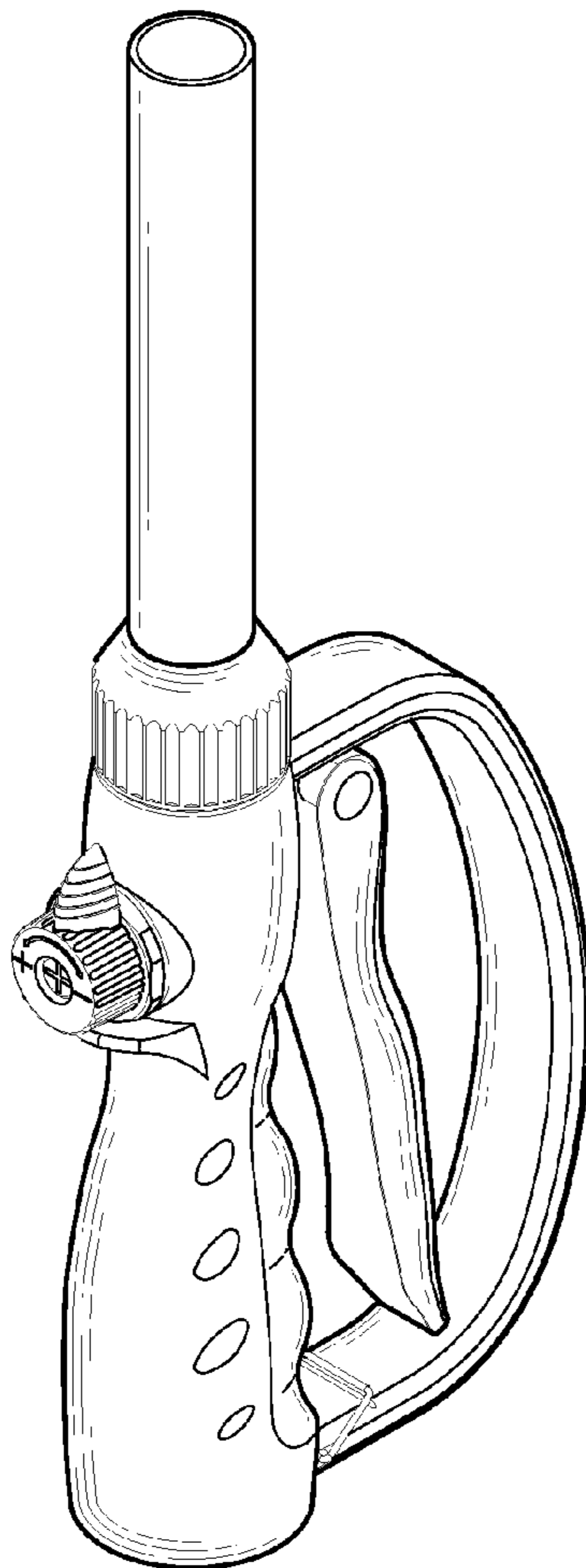
FIG. 7 is a bottom view of the embodiment shown in FIG. 1.

(56) **References Cited**

U.S. PATENT DOCUMENTS

D489,791 S	*	5/2004	Chen	D23/223
D489,792 S	*	5/2004	Chen	D23/223
D551,738 S	*	9/2007	Tanner	D23/226
D574,927 S	*	8/2008	Larsen	D23/226

1 Claim, 4 Drawing Sheets



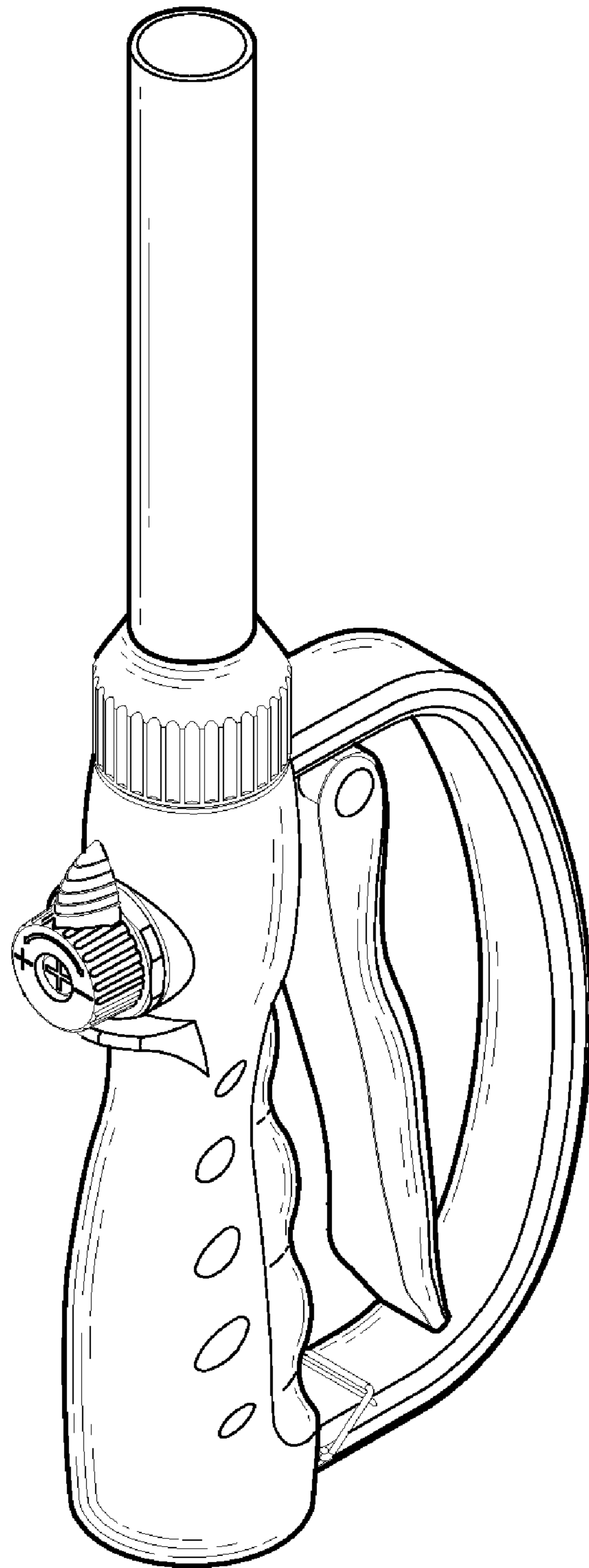


FIG. 1

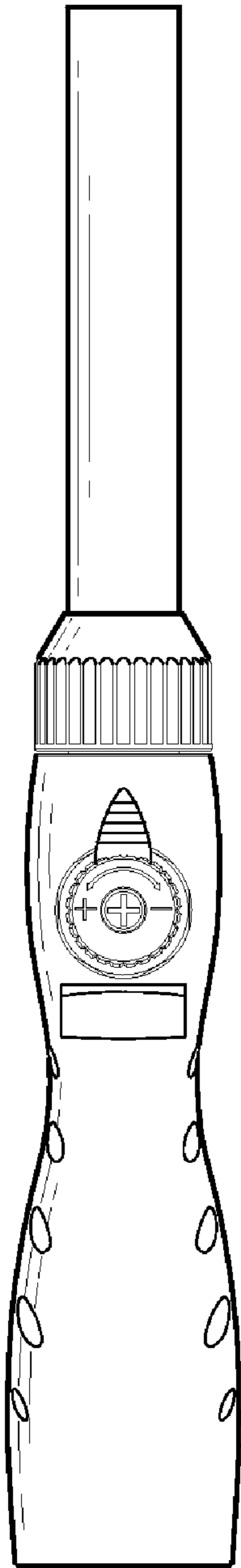


FIG. 2

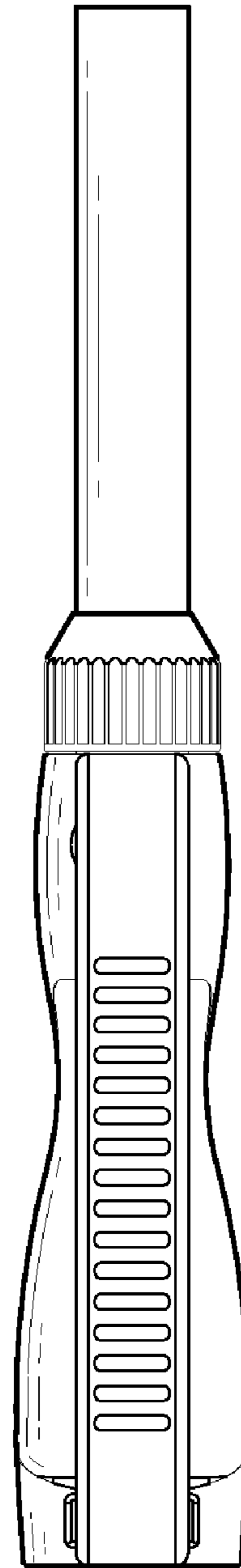


FIG. 3

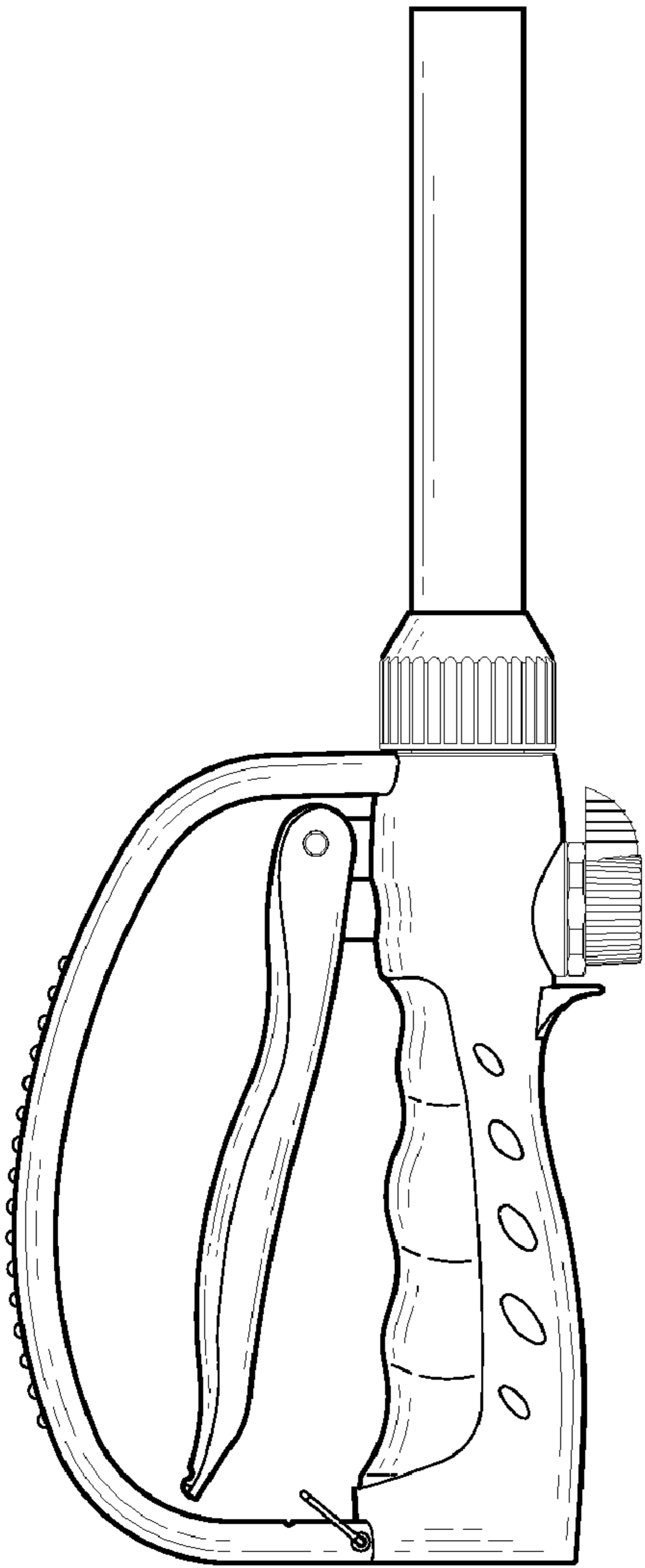


FIG. 4

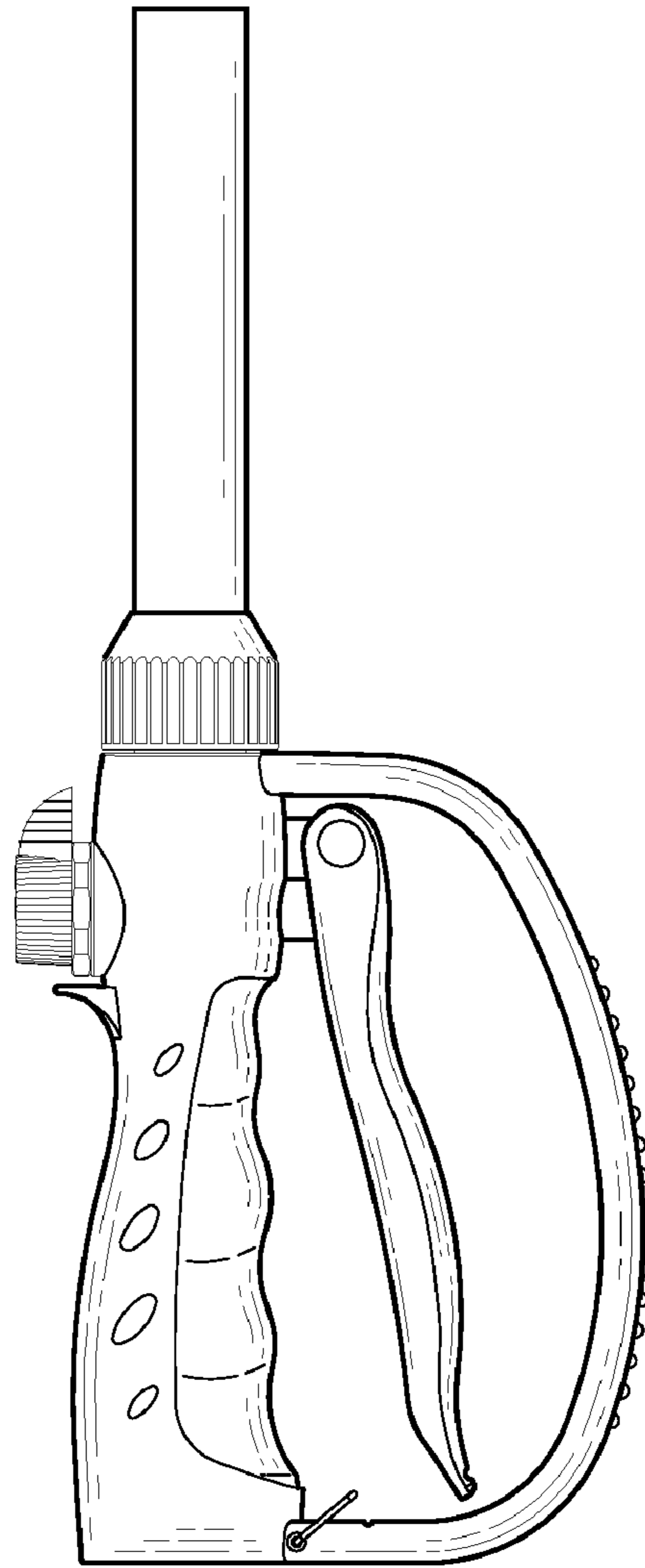


FIG. 5

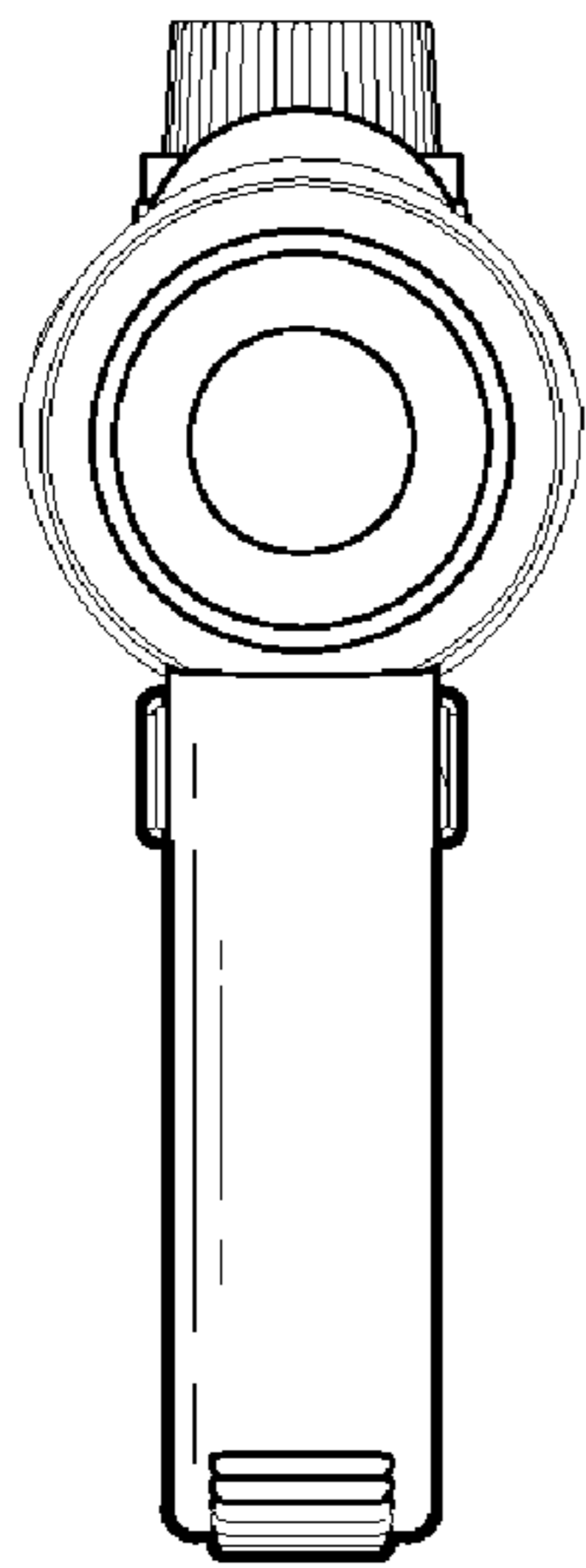


FIG. 6

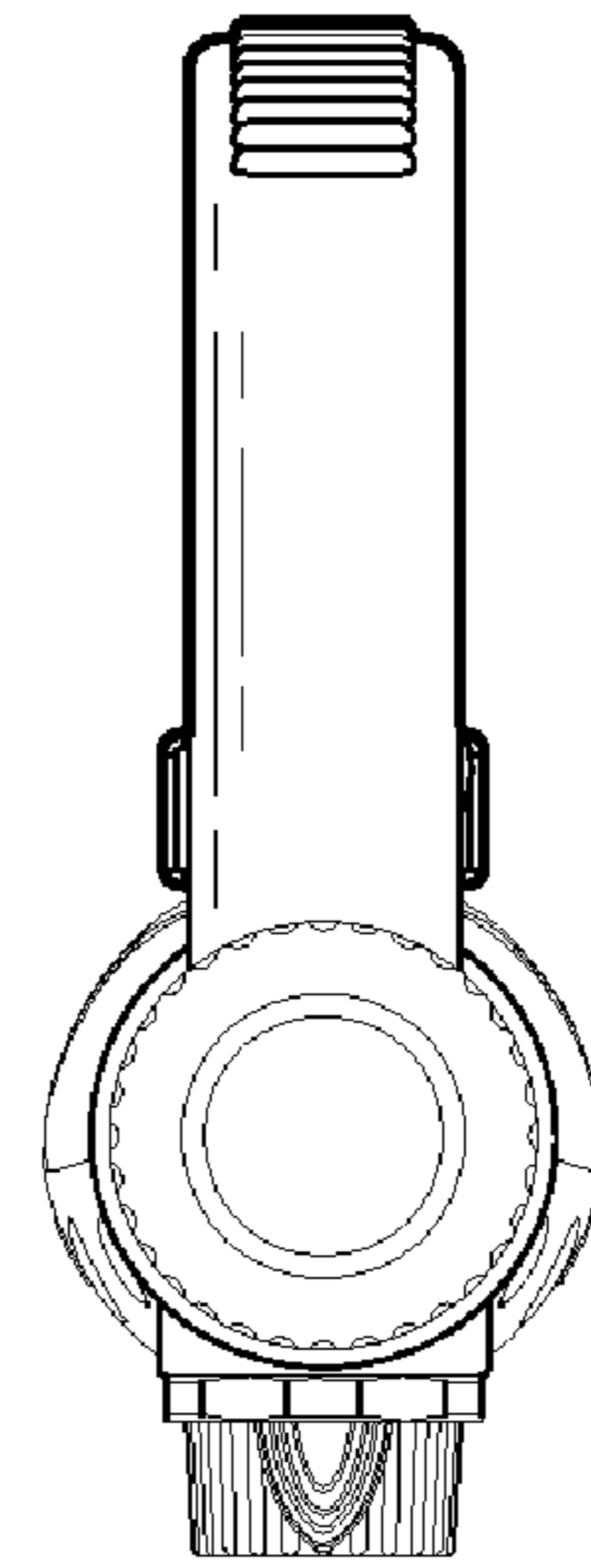


FIG. 7