



US00D615614S

(12) **United States Design Patent**  
**Tullney et al.**

(10) **Patent No.:** **US D615,614 S**

(45) **Date of Patent:** **\*\* May 11, 2010**

(54) **SPRAY GUN FOR PAINT**

(75) Inventors: **Heiko Tullney**, Hamburg (DE);  
**Hermann Probst**, Ravensburg (DE)

(73) Assignee: **J. Wagner GmbH**, Markdorf (DE)

(\*\*) Term: **14 Years**

(21) Appl. No.: **29/337,336**

(22) Filed: **May 20, 2009**

(30) **Foreign Application Priority Data**

Nov. 21, 2008 (EM) ..... 001049126

(51) **LOC (9) Cl.** ..... **23-01**

(52) **U.S. Cl.** ..... **D23/225**

(58) **Field of Classification Search** ..... D23/213,  
D23/225; 239/310, 373, 337, 332-333, 152-154  
See application file for complete search history.

(56) **References Cited**

**U.S. PATENT DOCUMENTS**

2,610,091	A *	9/1952	Deutsch	.....	222/325
5,050,804	A *	9/1991	Svendsen et al.	.....	239/296
5,119,992	A *	6/1992	Grime	.....	239/364
D331,095	S *	11/1992	Steinberg	.....	D23/225
D503,214	S *	3/2005	Stevens et al.	.....	D23/225
D519,603	S *	4/2006	Schumann et al.	.....	D23/225
D554,232	S *	10/2007	Nathan et al.	.....	D23/225
2005/0269425	A1	12/2005	Gohring et al.		

**FOREIGN PATENT DOCUMENTS**

EM 000428156-0001 12/2005

**OTHER PUBLICATIONS**

“Click and Paint System,” [http://www.wagner-group.de/portal/color\\_click\\_and\\_paint\\_neu\\_en\\_wag.256764,365.html](http://www.wagner-group.de/portal/color_click_and_paint_neu_en_wag.256764,365.html).

\* cited by examiner

*Primary Examiner*—Robin V Webster

(74) *Attorney, Agent, or Firm*—Burr & Brown

(57) **CLAIM**

The ornamental design for a spray gun for paint, as shown and described.

**DESCRIPTION**

FIG. 1 is a front perspective view of a spray gun for paint illustrating our new design;

FIG. 2 a right side elevational view thereof;

FIG. 3 is a front elevational view thereof;

FIG. 4 is a left side elevational view thereof;

FIG. 5 is a rear elevational view thereof;

FIG. 6 is a top plan view thereof; and

FIG. 7 is a bottom plan view thereof;

FIG. 8 is a front perspective view illustrating a second embodiment of our new design;

FIG. 9 is a right side elevational view thereof;

FIG. 10 is front elevational view thereof;

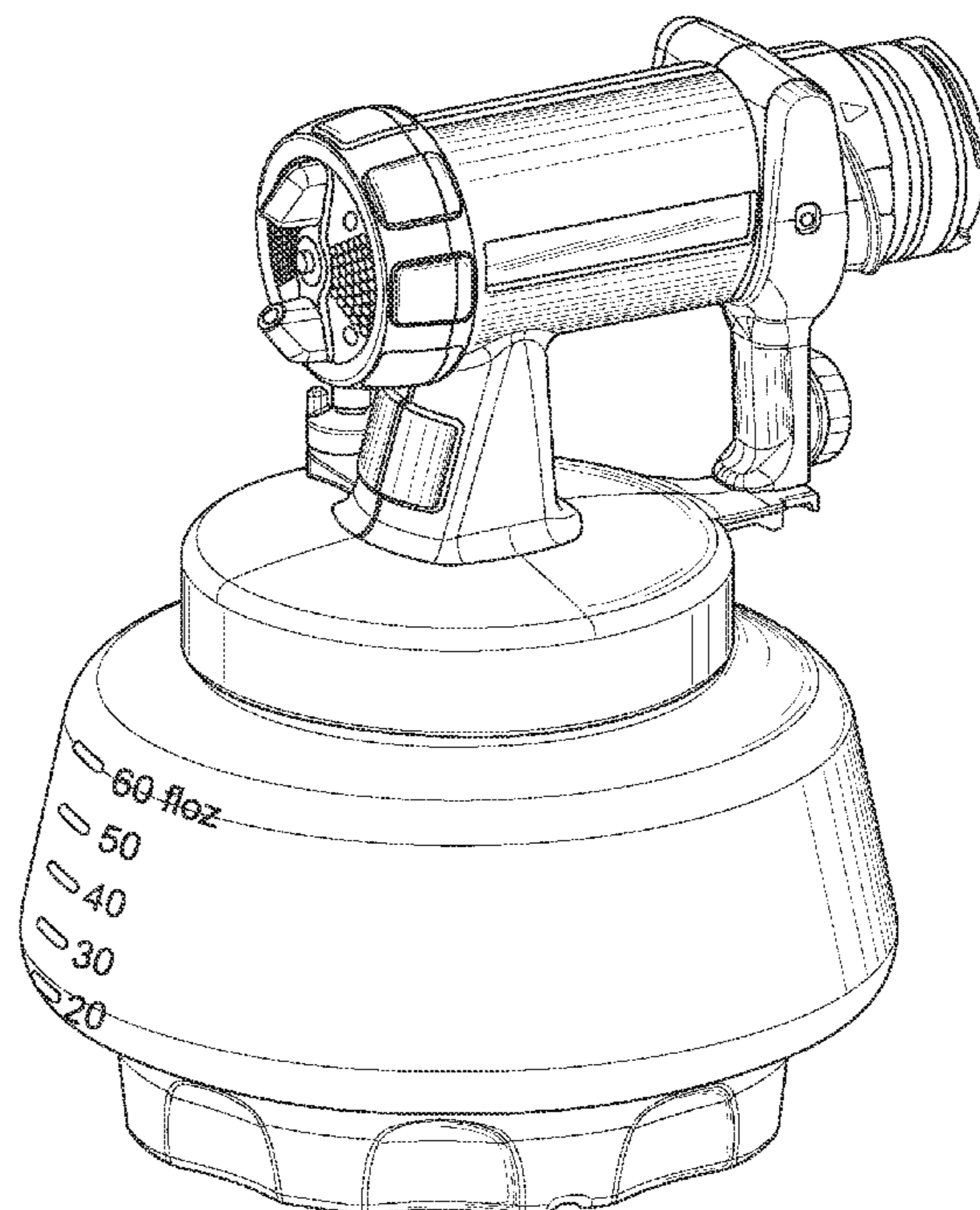
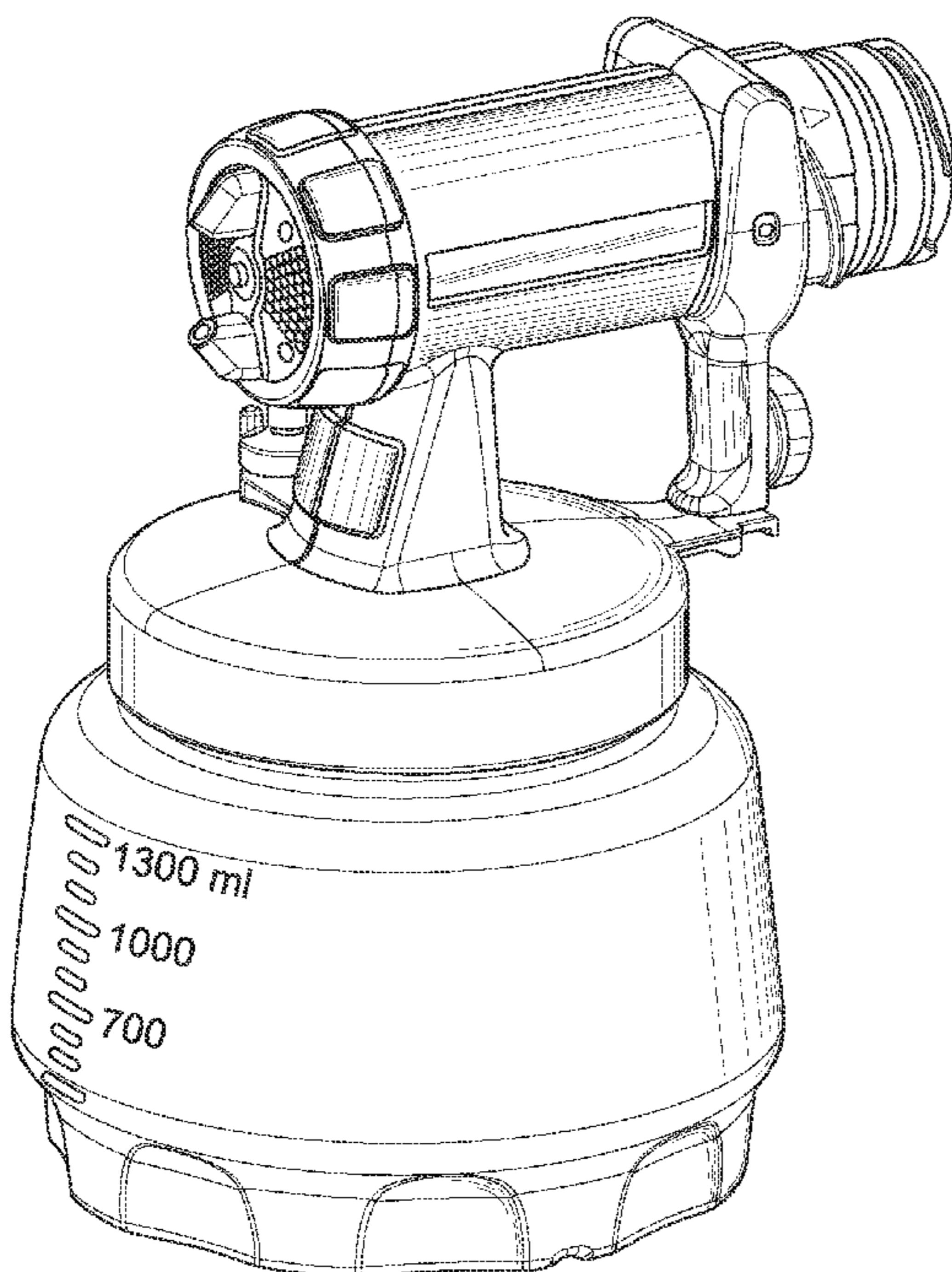
FIG. 11 is a left side elevational view thereof;

FIG. 12 is a rear elevational view thereof;

FIG. 13 is a top plan view thereof; and,

FIG. 14 is a bottom plan view thereof.

**1 Claim, 12 Drawing Sheets**



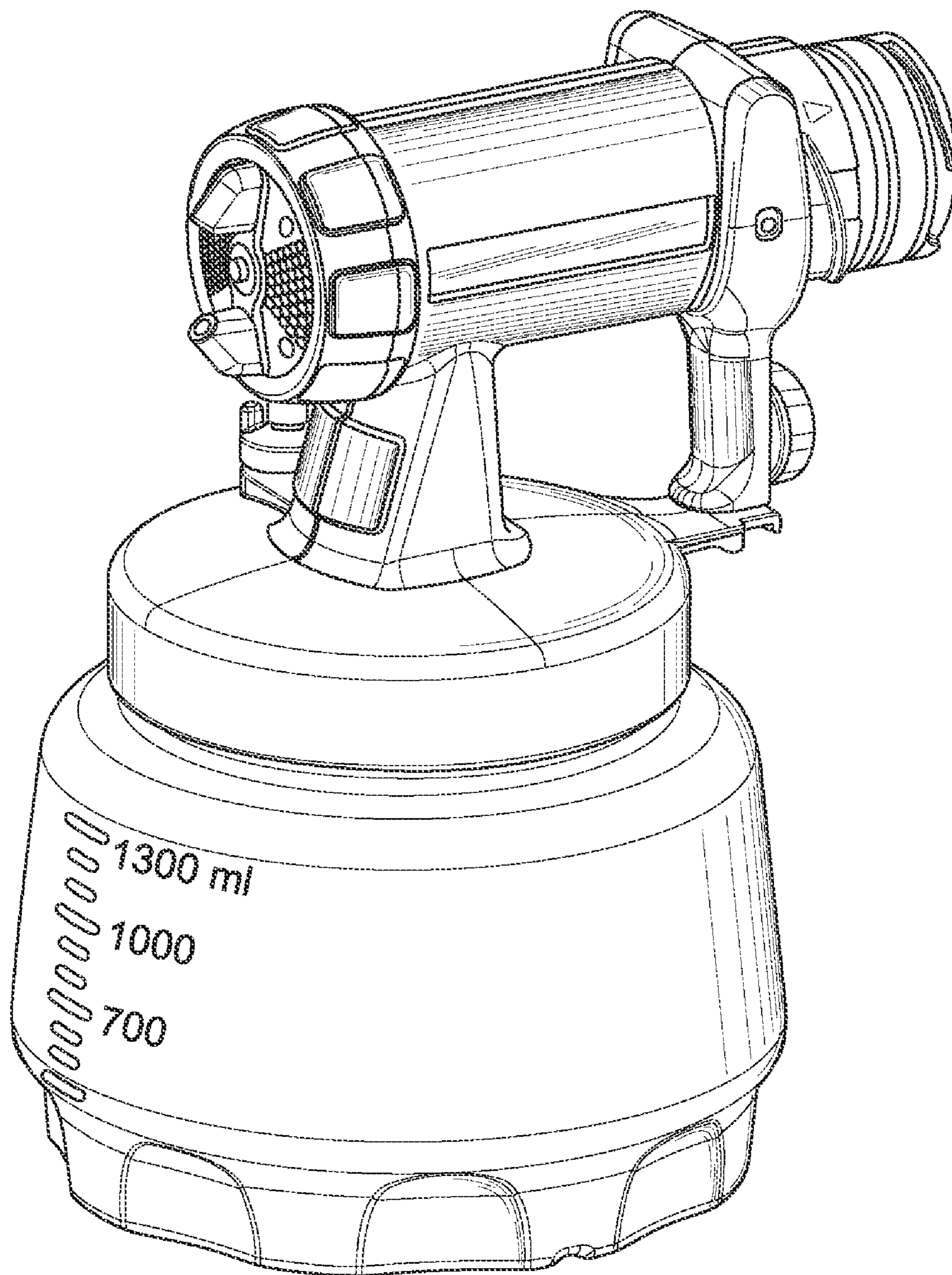


Fig. 1

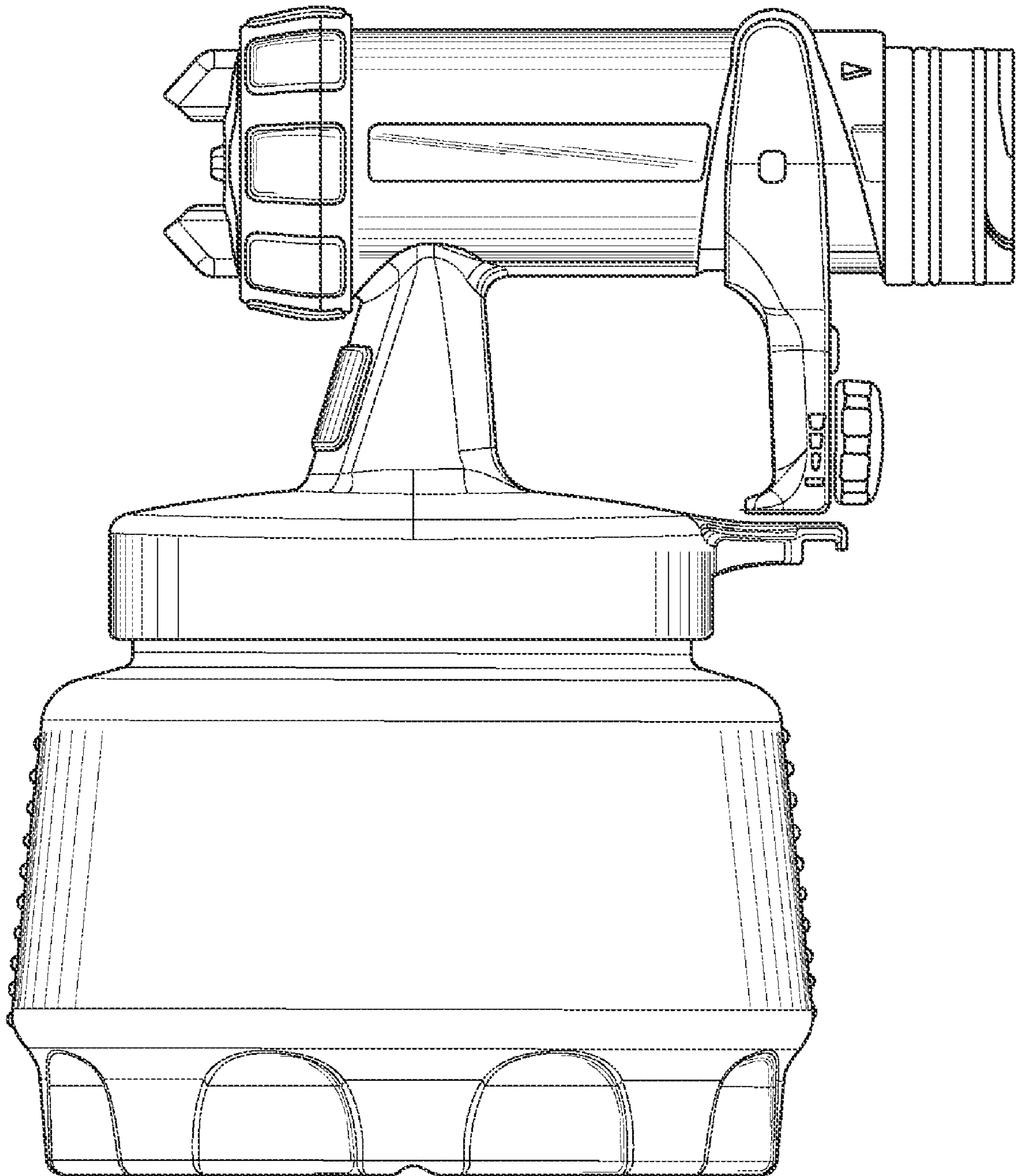


Fig. 2

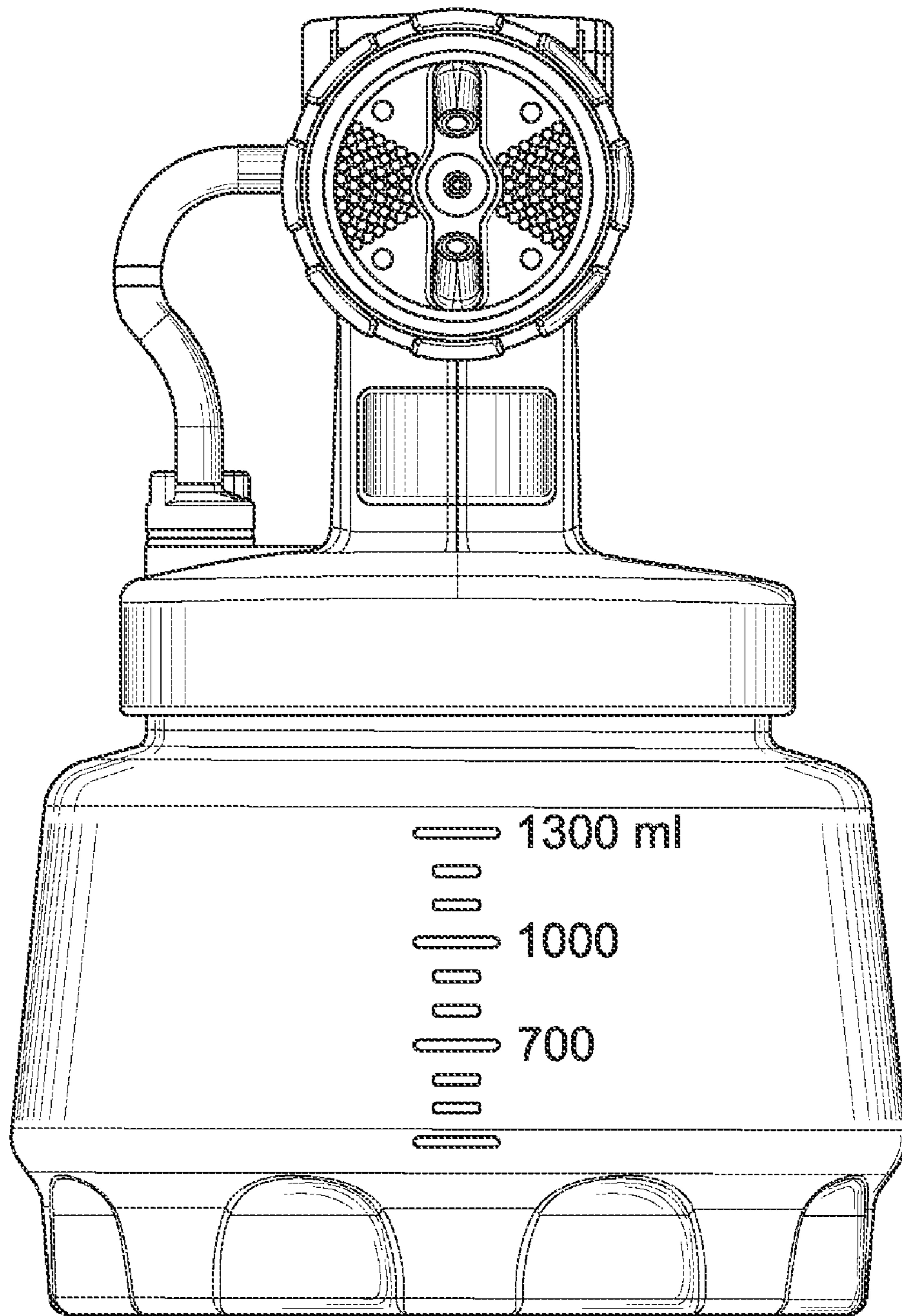


Fig. 3

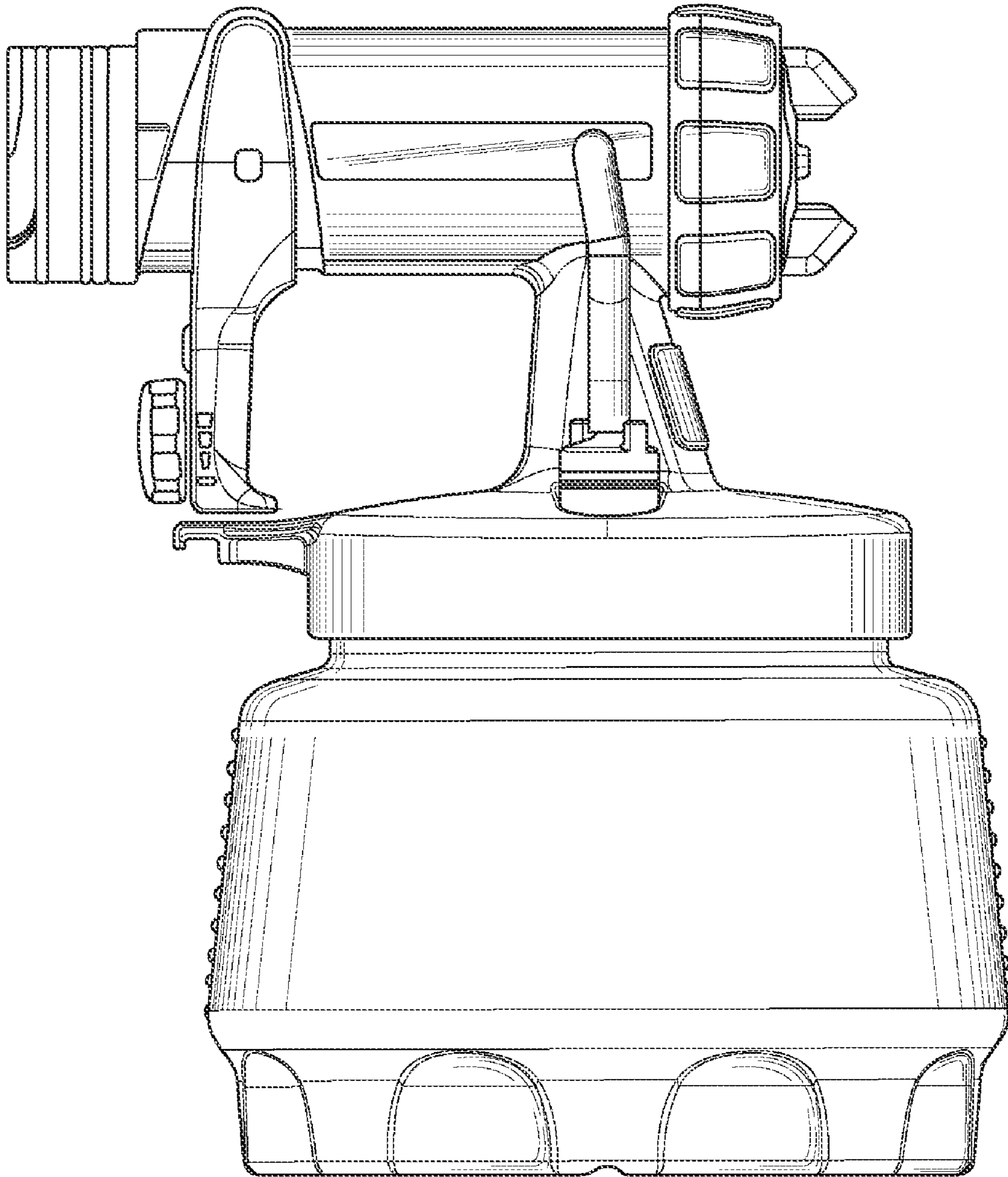


Fig. 4

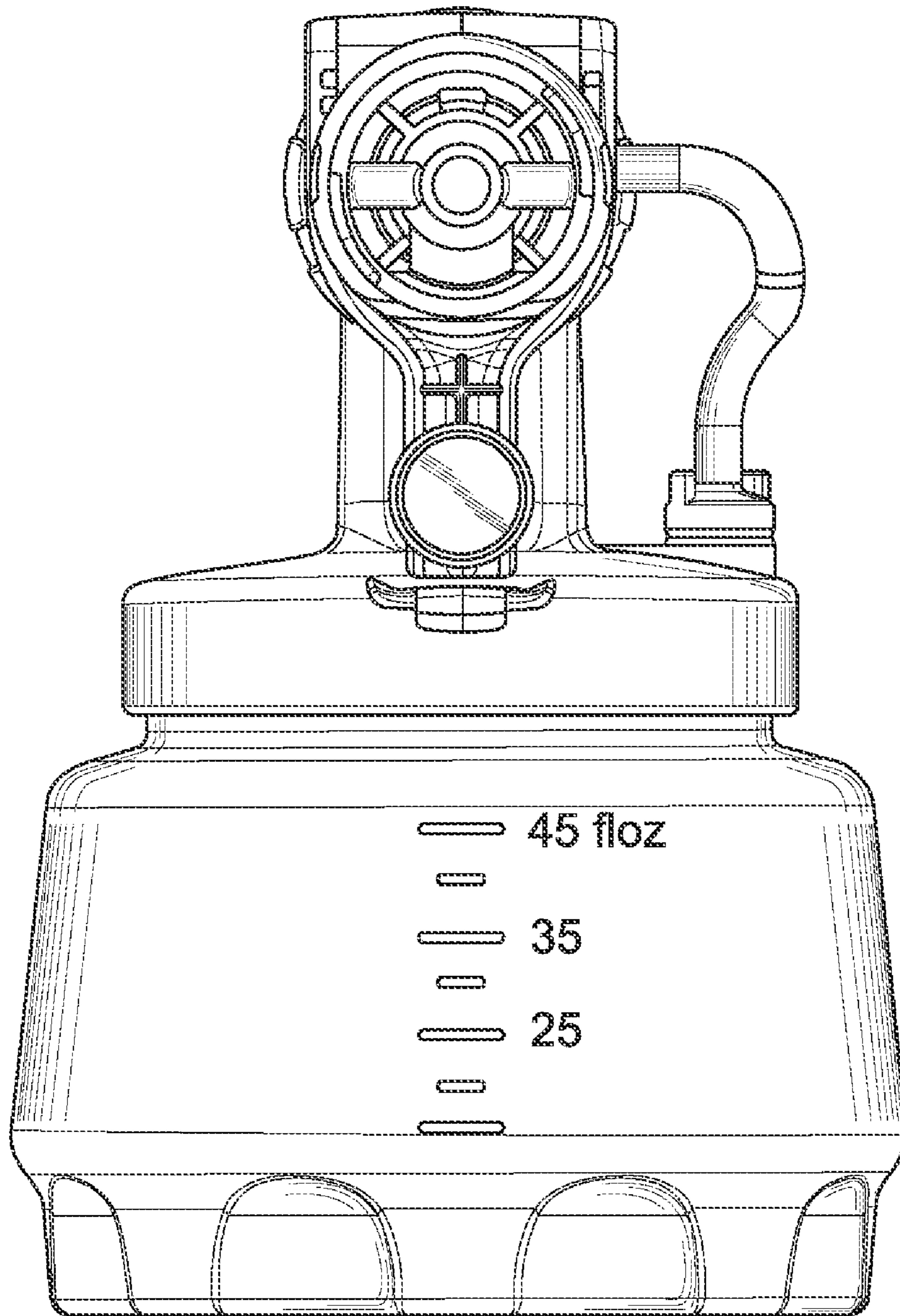


Fig. 5

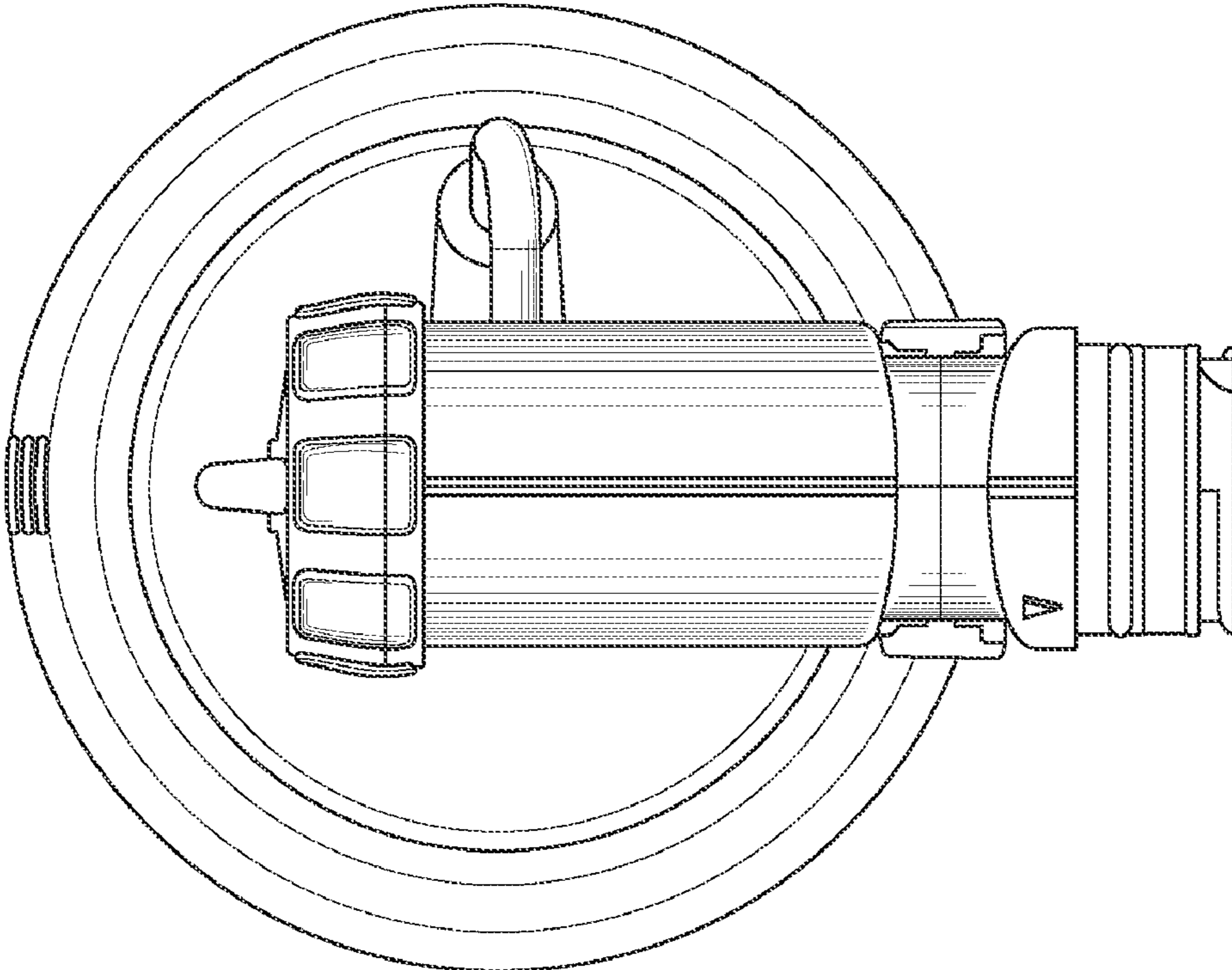


Fig. 6

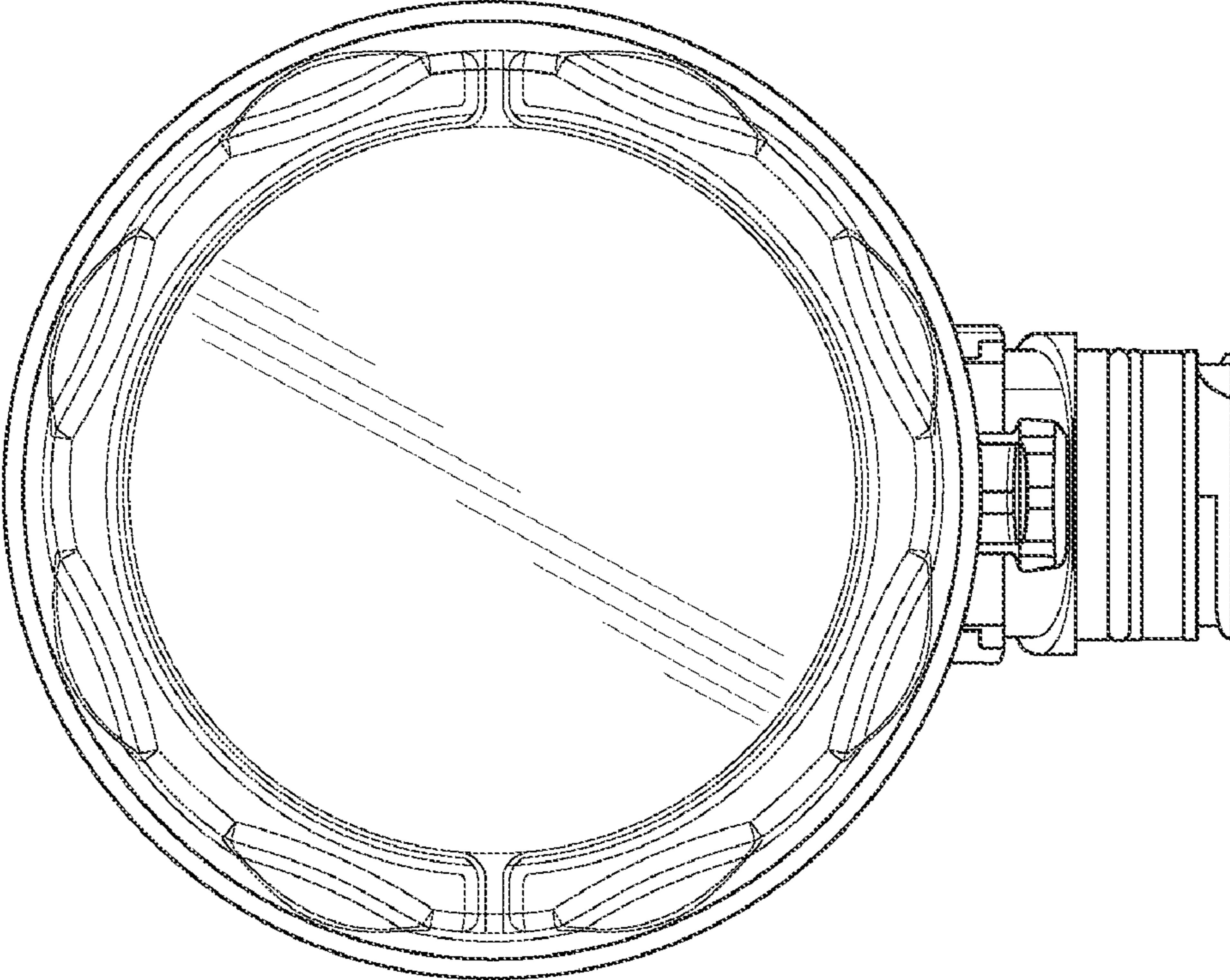


Fig. 7

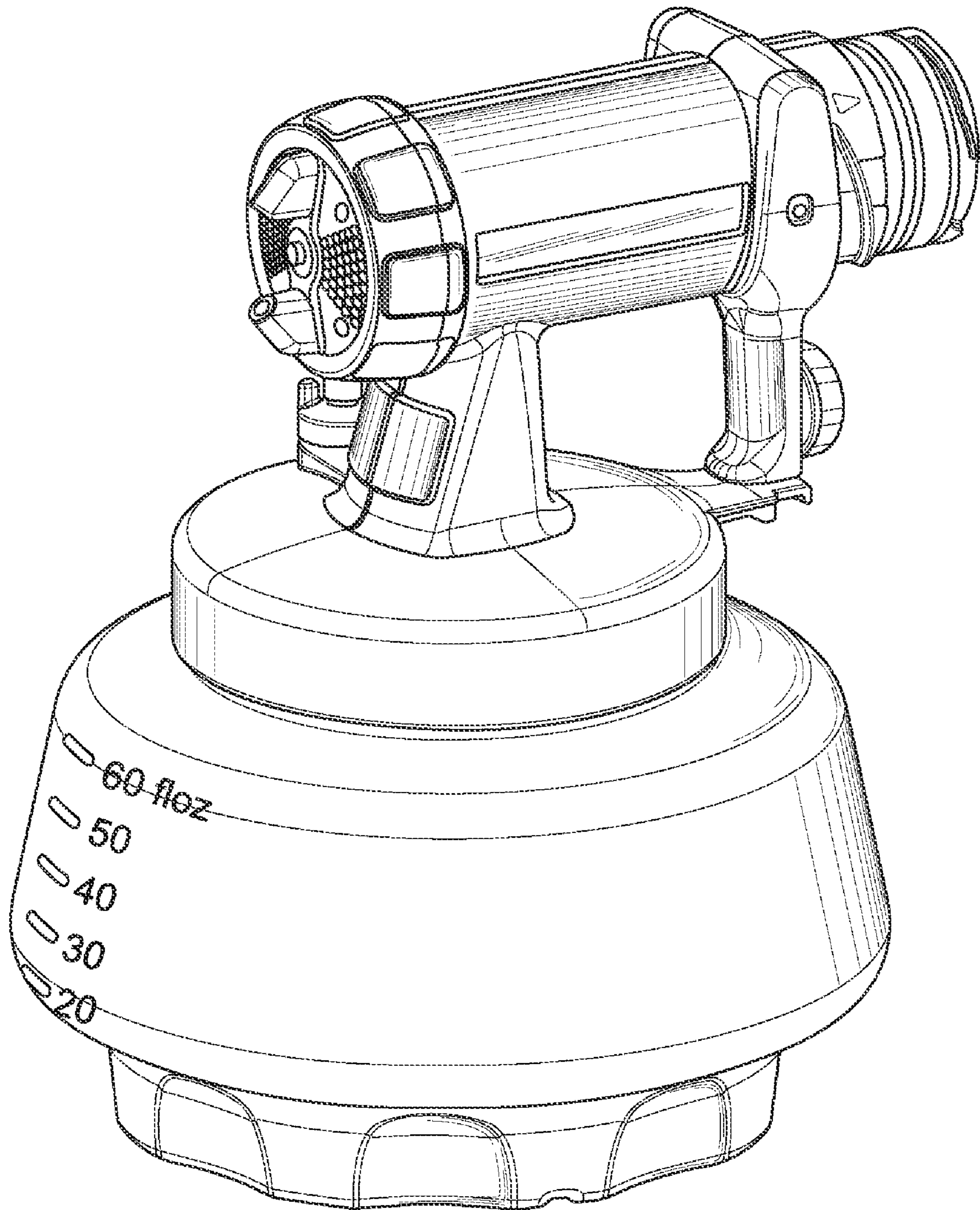


Fig. 8



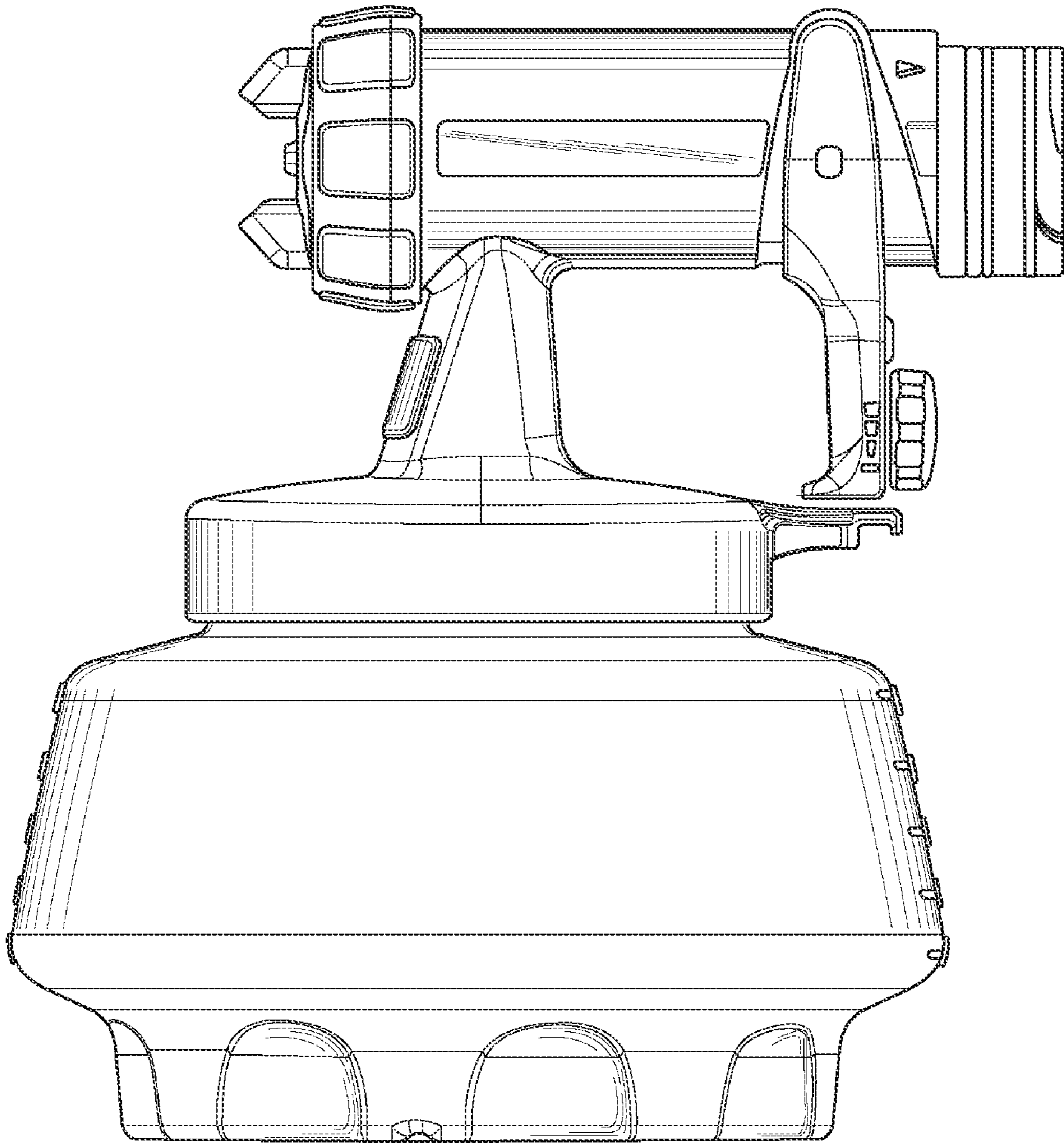


Fig. 9

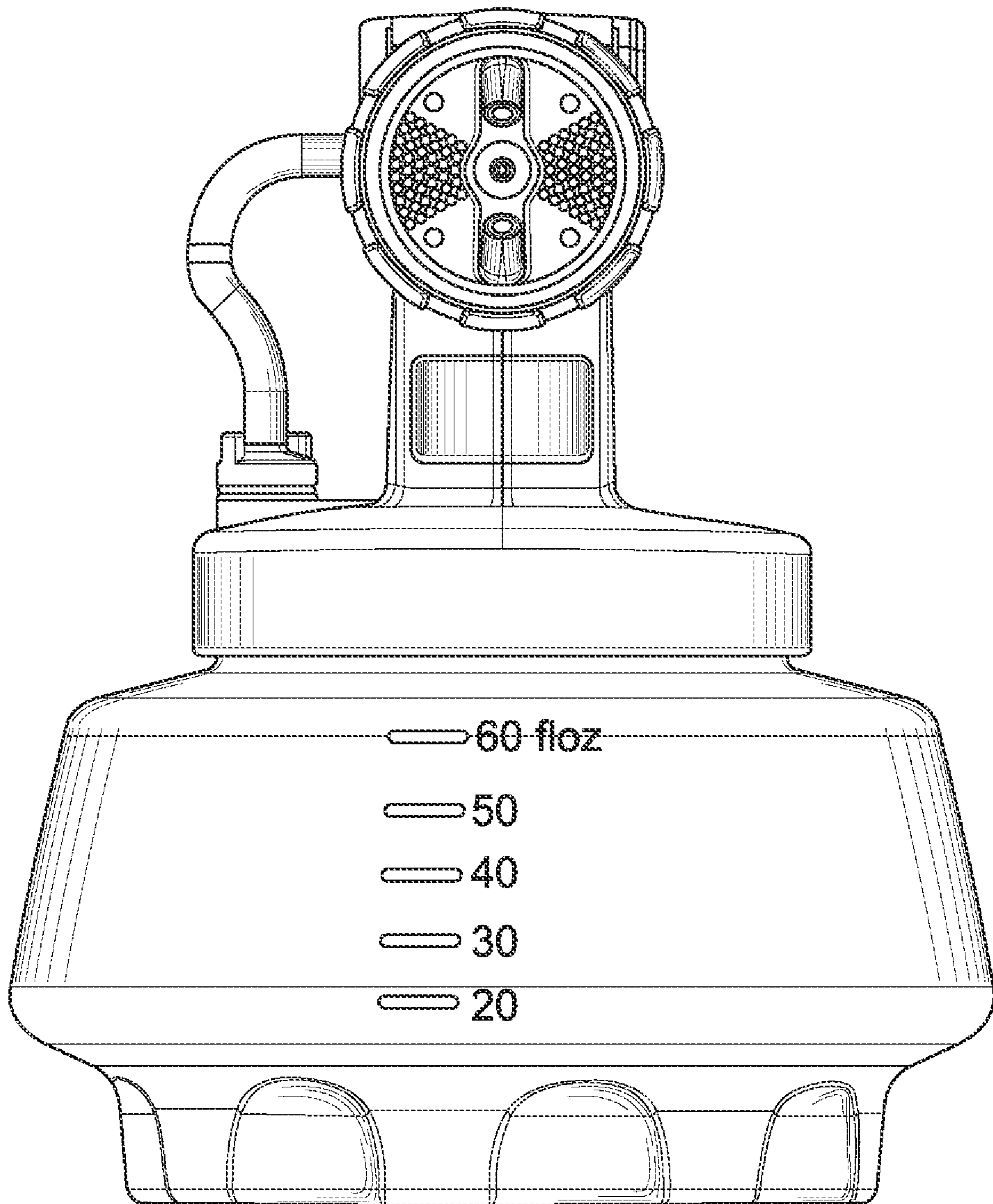


Fig. 10

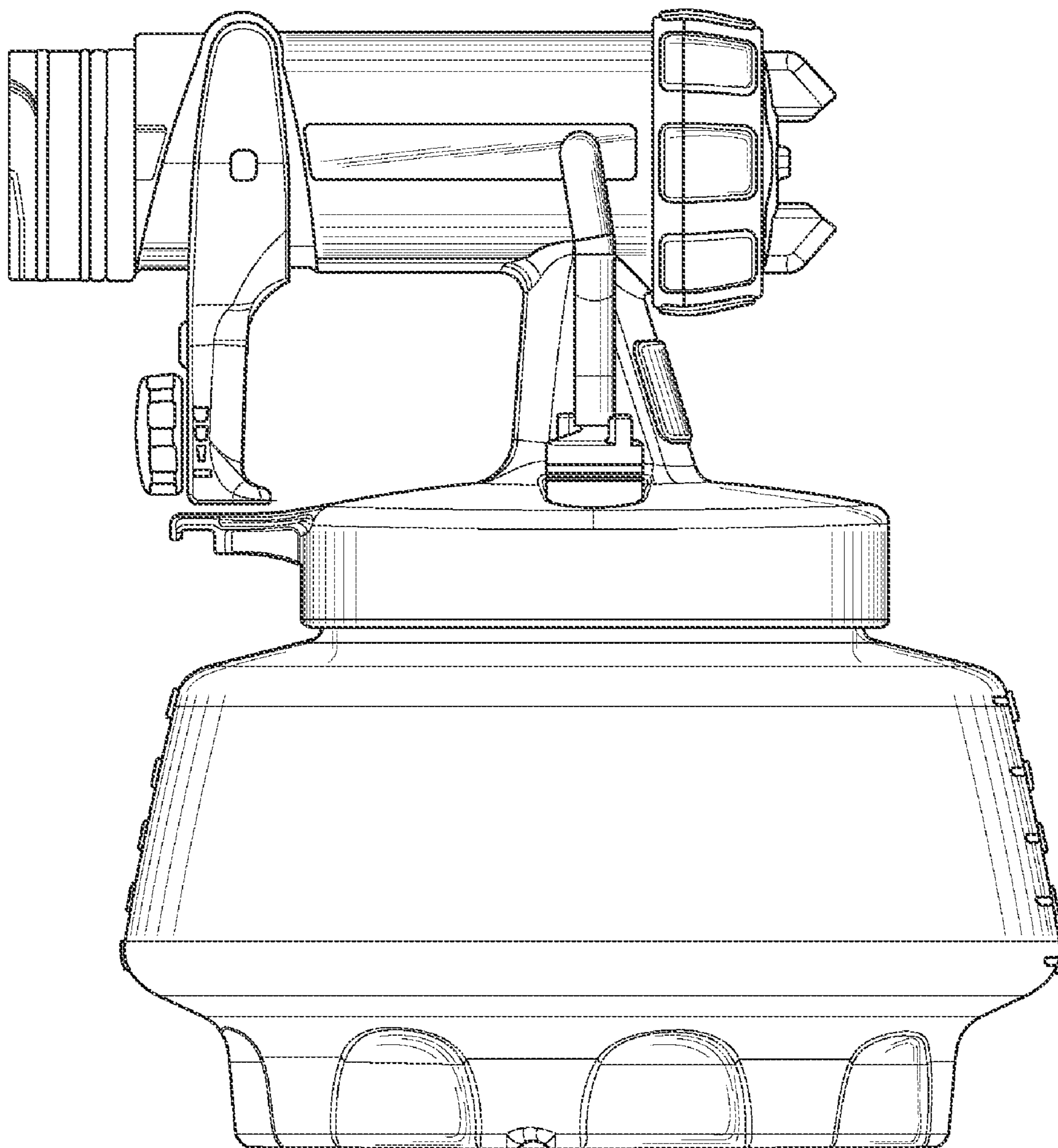


Fig. 11

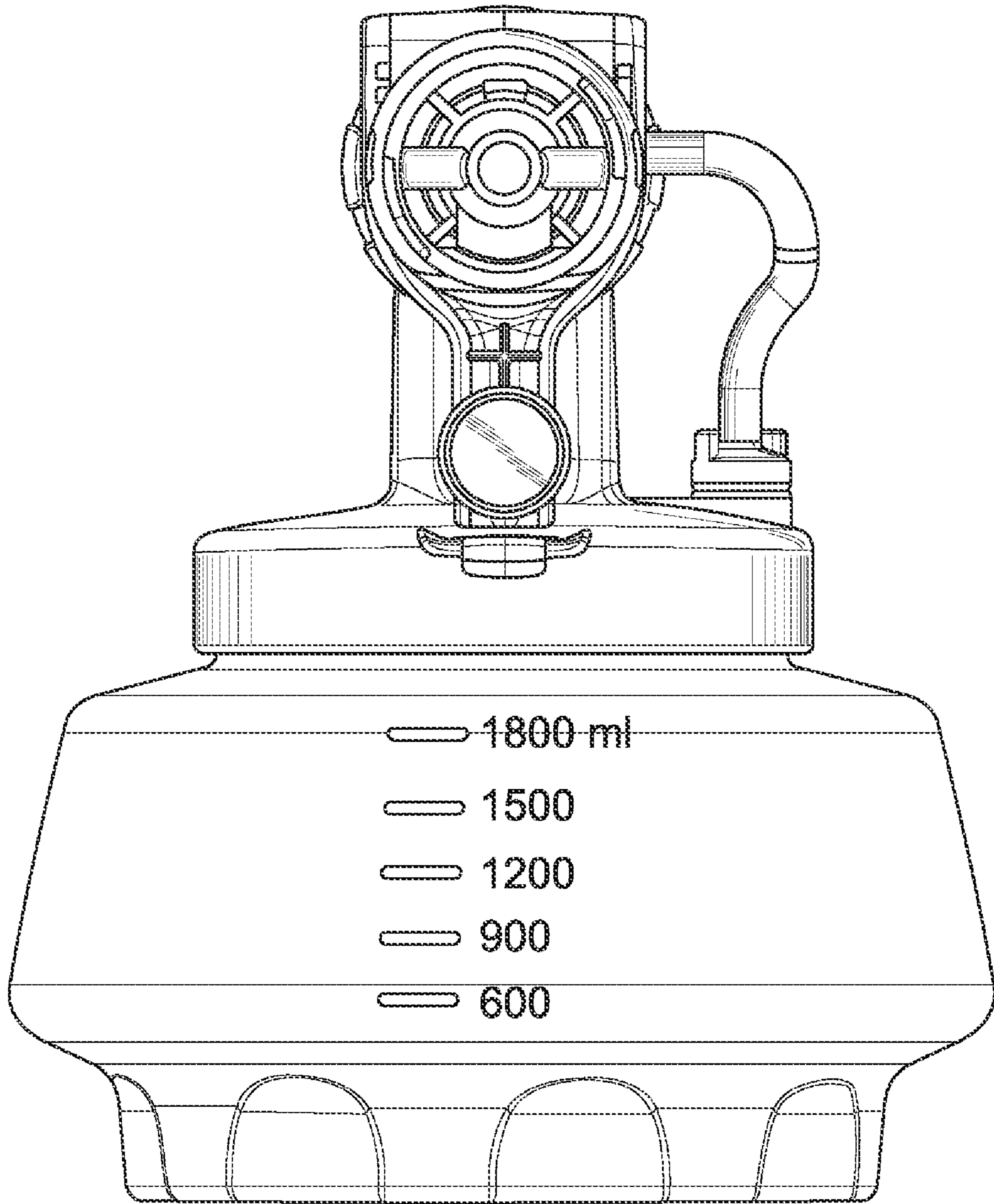


Fig. 12

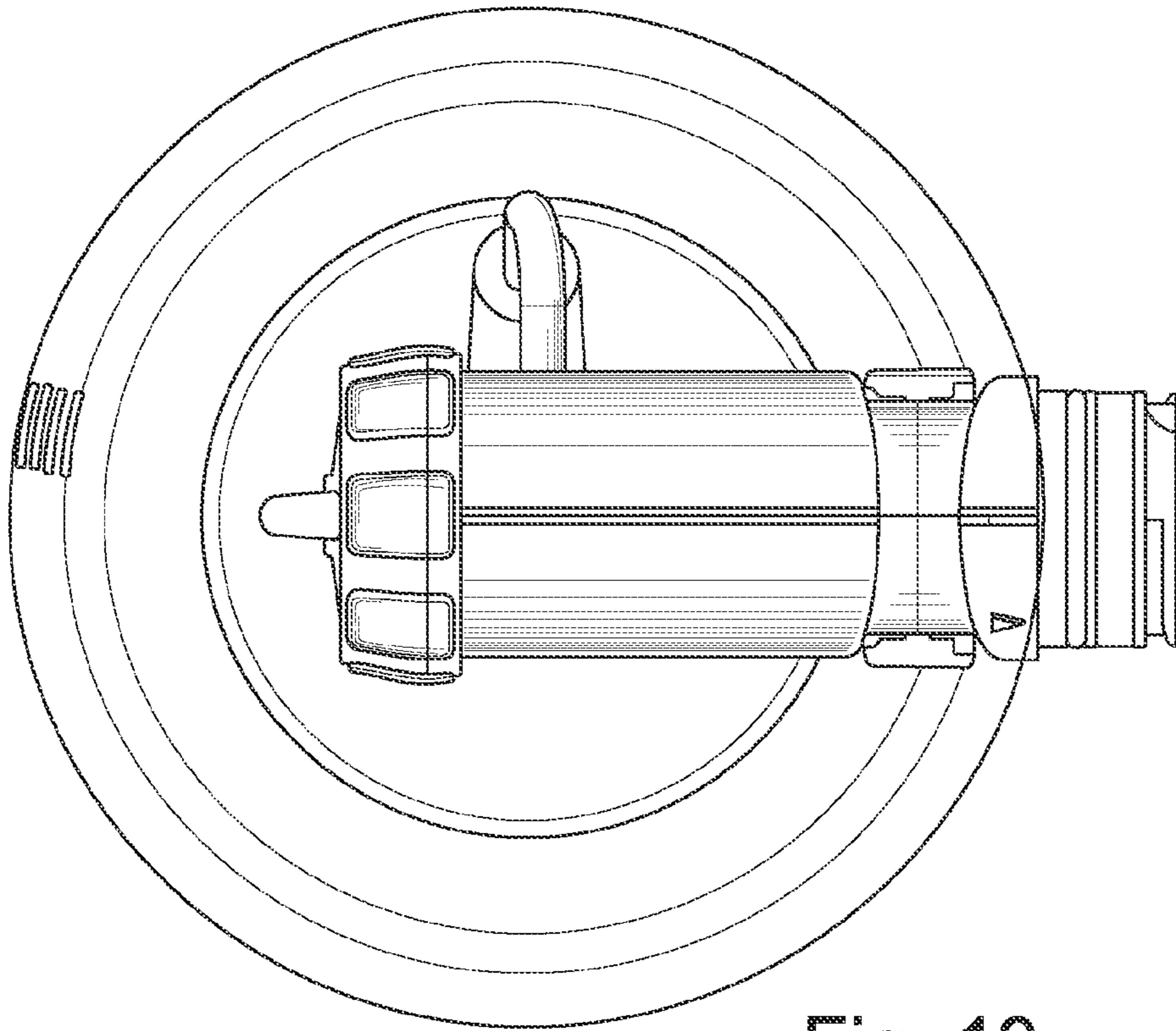


Fig. 13

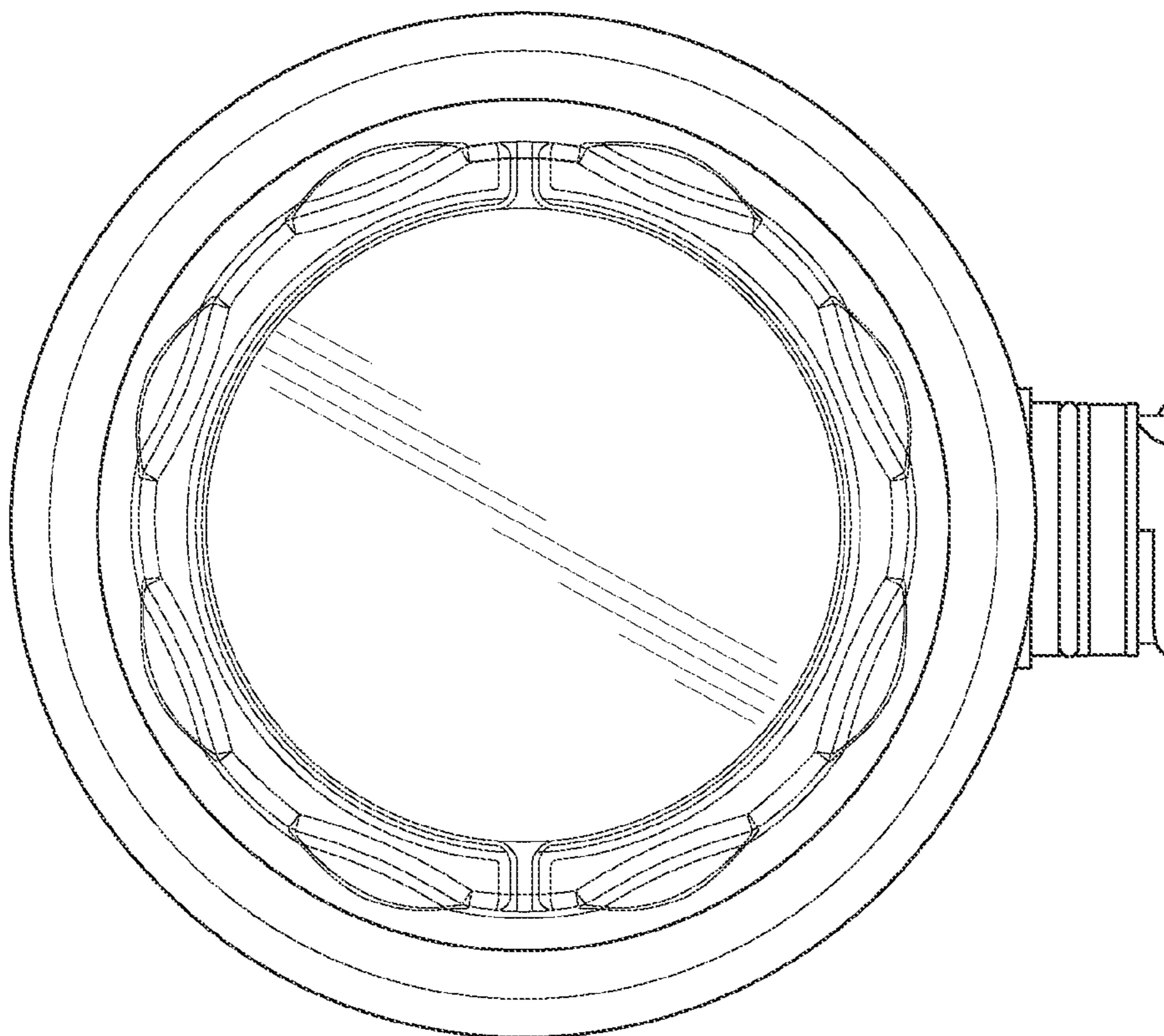


Fig. 14