



US00D615612S

(12) **United States Design Patent**
Cheng

(10) **Patent No.:** **US D615,612 S**
(45) **Date of Patent:** **** May 11, 2010**

(54) **SPRINKLER**

D597,628 S * 8/2009 Goetz D23/221

(76) Inventor: **Chi-Han Cheng**, P.O. Box 215,
Taichung (TW) 40099

* cited by examiner

Primary Examiner—Robin V Webster

(**) Term: **14 Years**

(57) **CLAIM**

(21) Appl. No.: **29/311,926**

The ornamental design for a sprinkler, as shown and described.

(22) Filed: **Jul. 31, 2009**

(51) **LOC (9) Cl.** **23-01**

DESCRIPTION

(52) **U.S. Cl.** **D23/221; D23/214**

FIG. 1 is a perspective view of a sprinkler of the design.

(58) **Field of Classification Search** D23/213,

FIG. 2 is a front elevational view of a sprinkler of the design.

D23/214–217, 221; 239/273, 276, 242

FIG. 3 is a rear elevational view of a sprinkler of the design.

See application file for complete search history.

FIG. 4 is a left side elevational view of a sprinkler of the design.

(56) **References Cited**

FIG. 5 is a right side elevational view of a sprinkler of the design.

U.S. PATENT DOCUMENTS

FIG. 6 is a top plan view of a sprinkler of the design.

D371,596 S * 7/1996 Simonetti D23/216

FIG. 7 is a bottom plan view of a sprinkler of the design; and,

D440,629 S * 4/2001 Guo D23/216

FIG. 8 is a perspective view of a sprinkler of the design in a position of use.

D459,436 S * 6/2002 Chao D23/216

The broken line showing in FIG. 8 is included for the purpose of illustrating and forms no part of the claimed design.

D470,218 S * 2/2003 Alkalay et al. D23/216

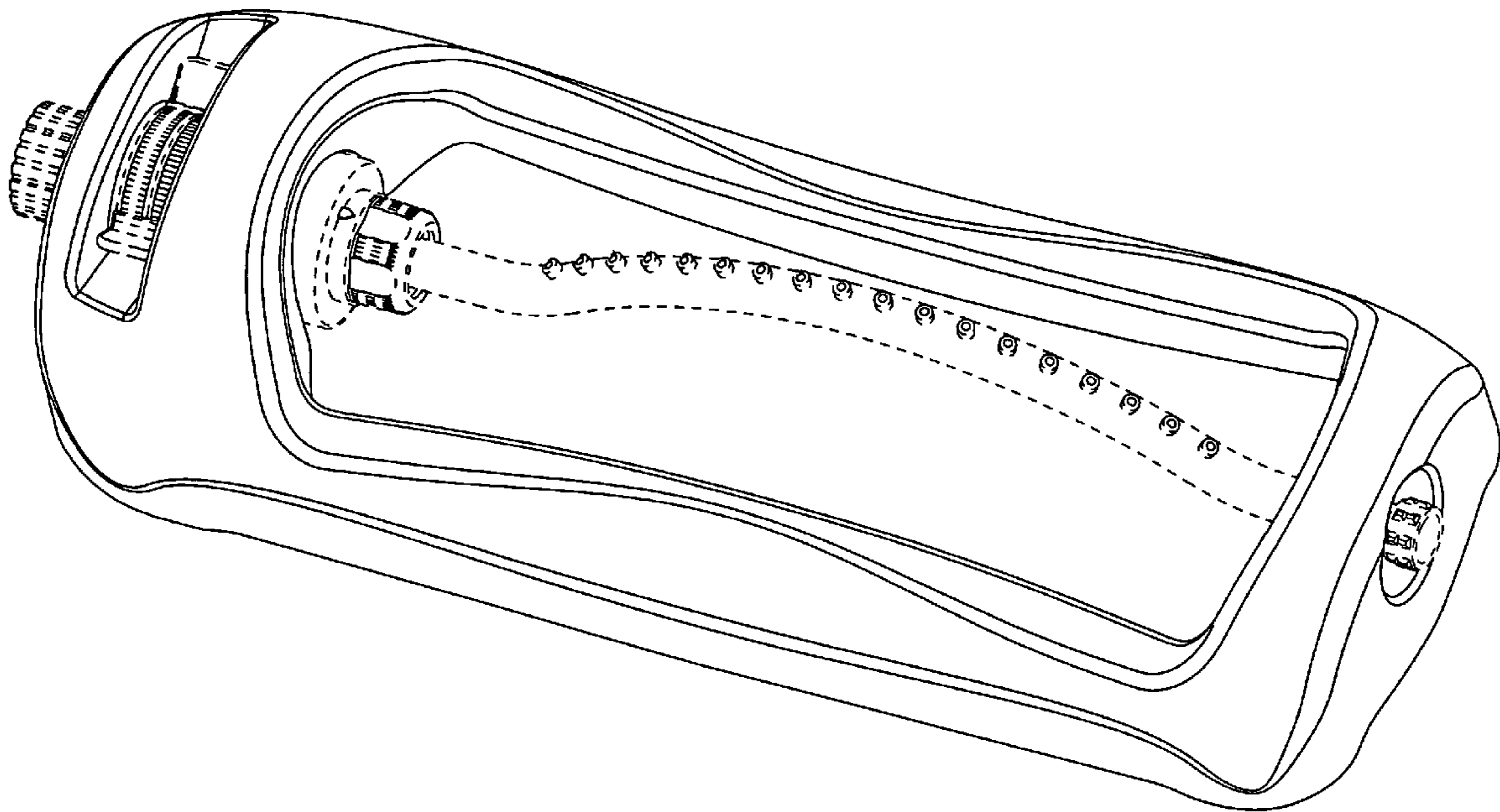
D500,122 S * 12/2004 Schapper D23/221

D554,737 S * 11/2007 Lo D23/221

D554,739 S * 11/2007 Lo D23/221

D559,352 S * 1/2008 Lo D23/221

1 Claim, 8 Drawing Sheets



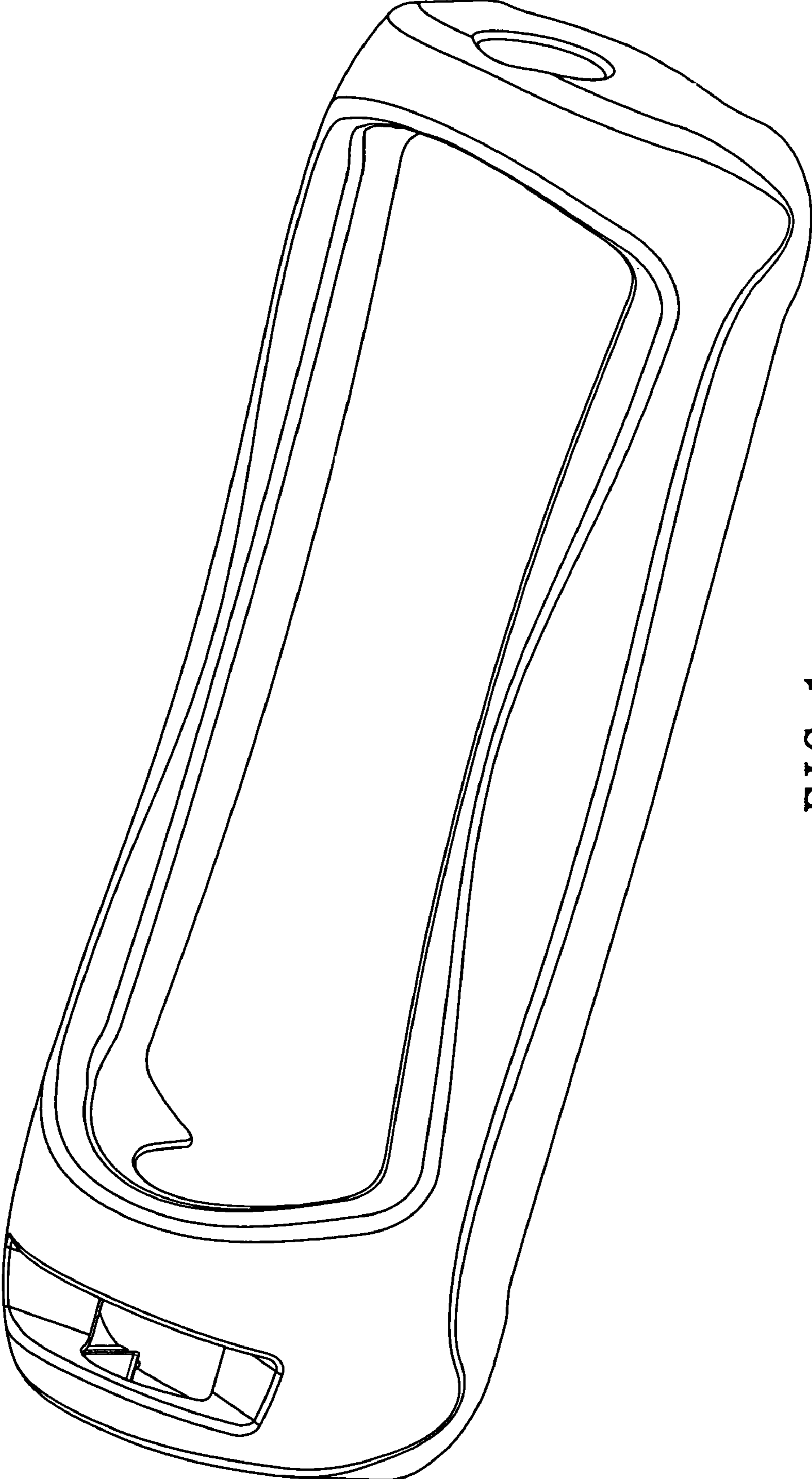


FIG 1

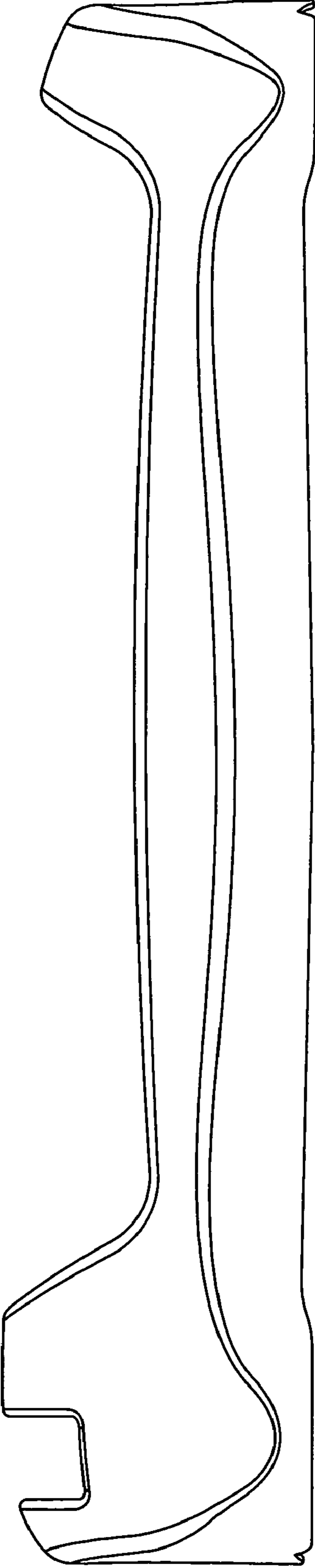


FIG 2

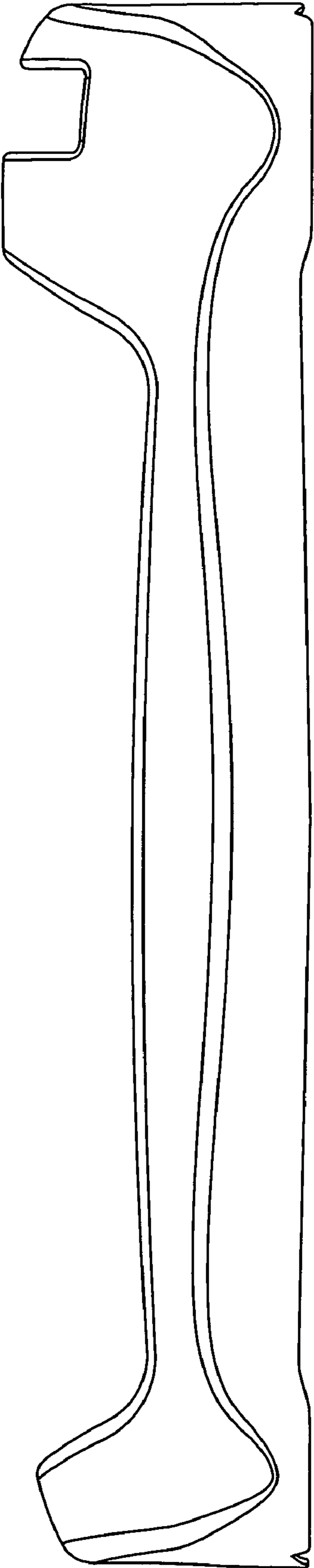


FIG 3

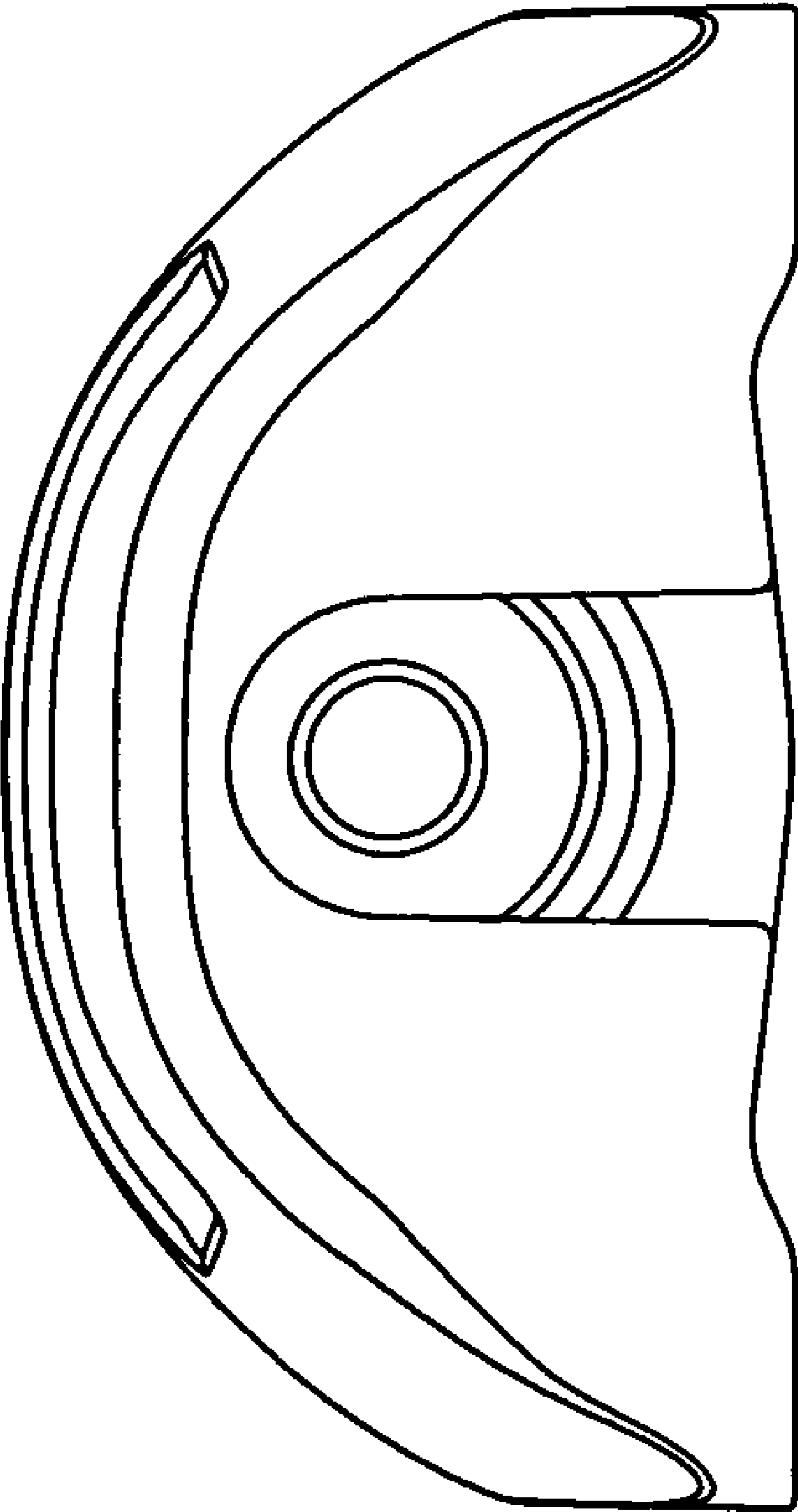


FIG 4

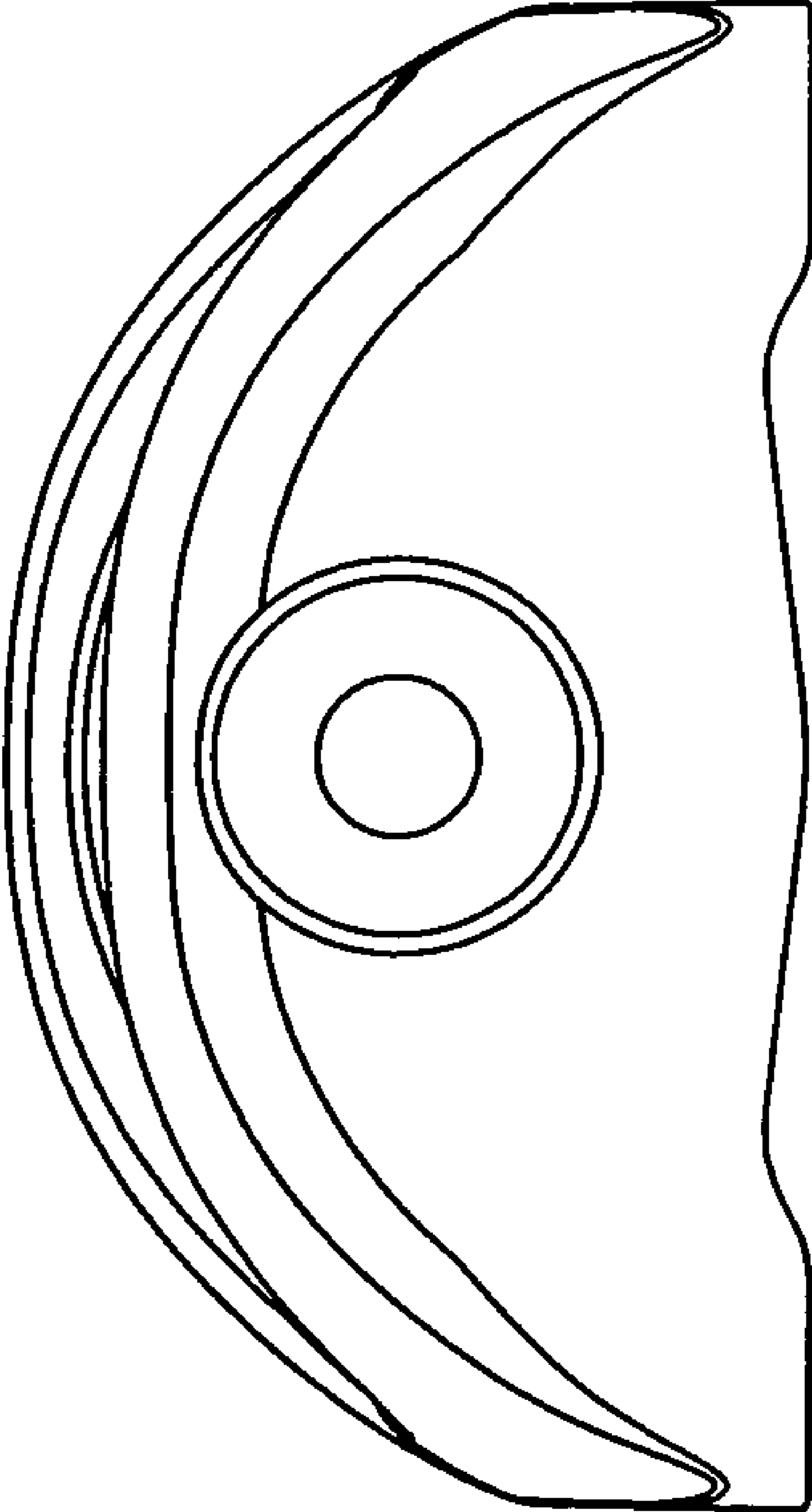


FIG 5

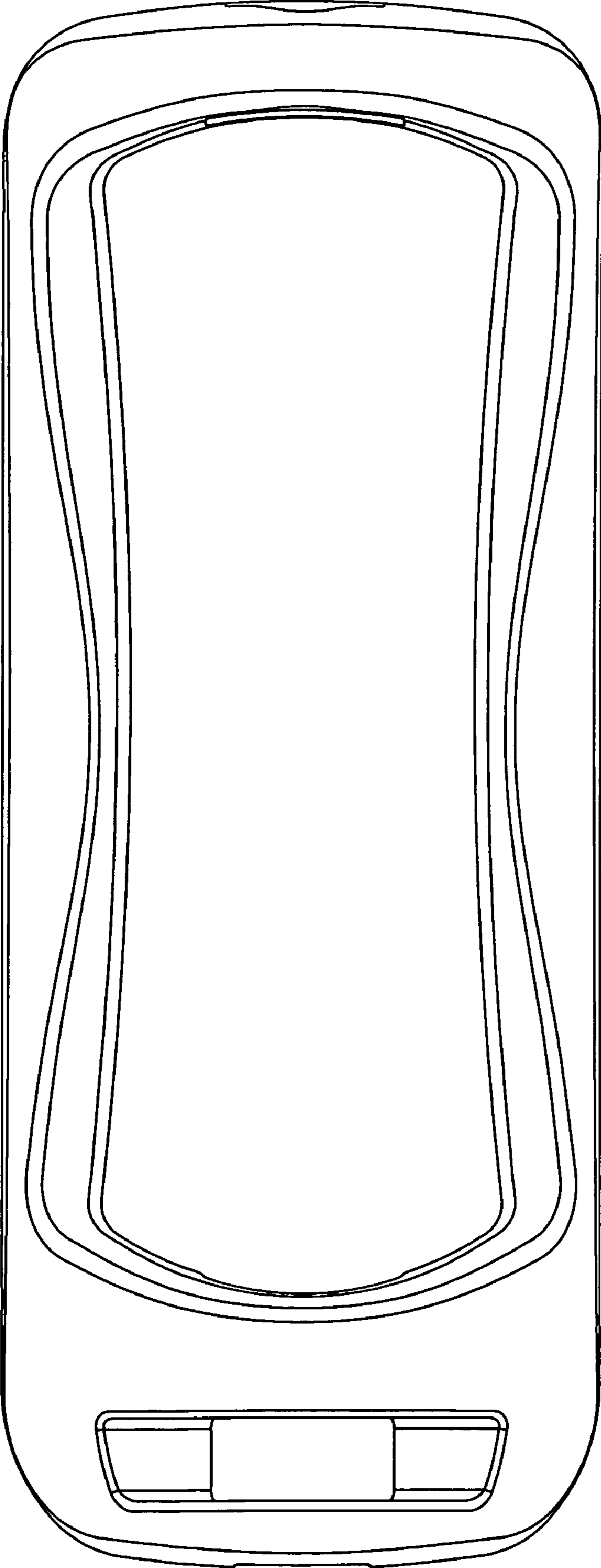


FIG 6

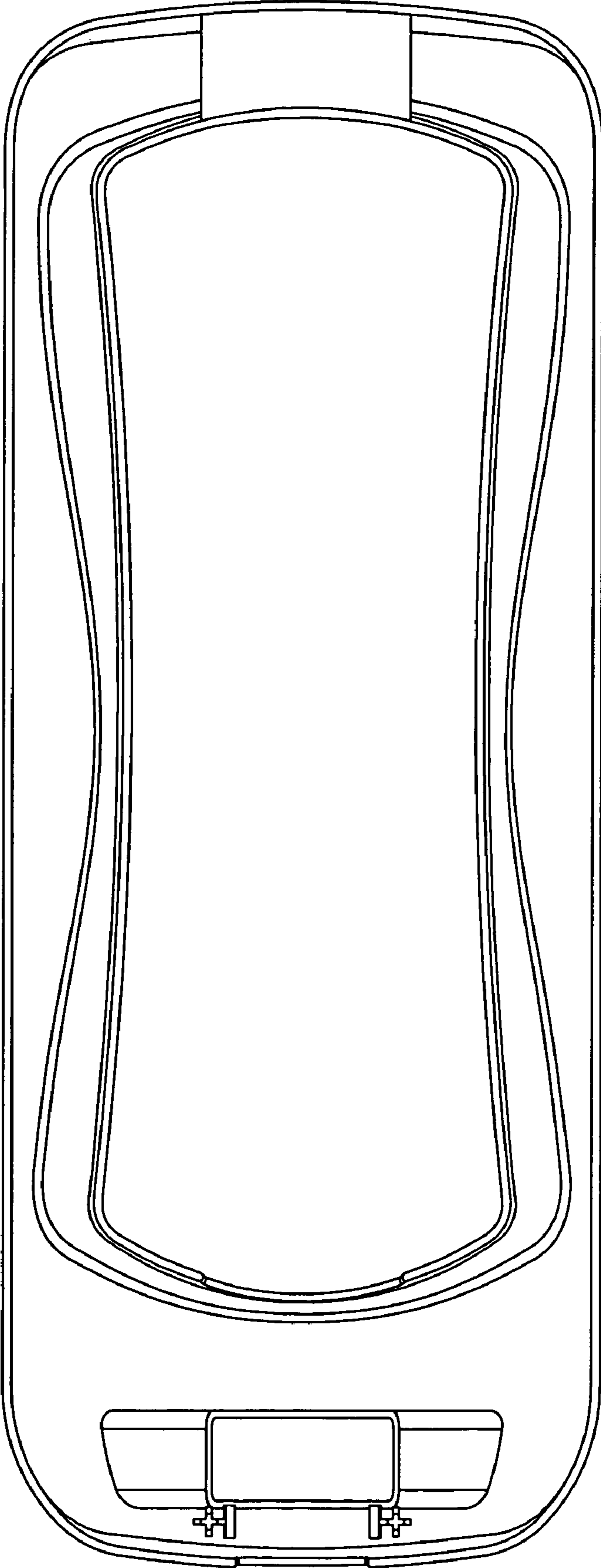


FIG 7

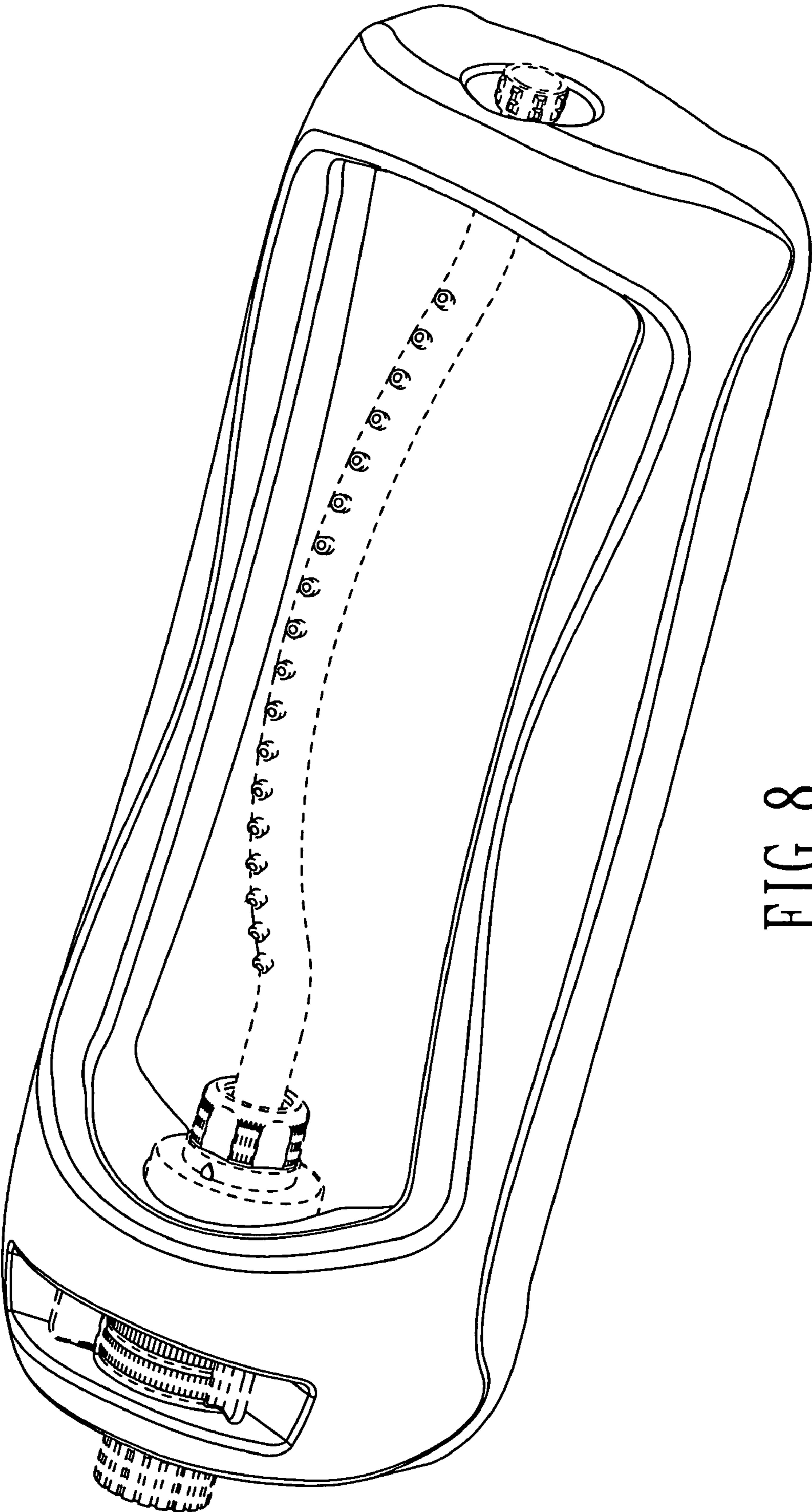


FIG 8