



US00D615611S

(12) **United States Design Patent**  
**Cheng**

(10) **Patent No.:** **US D615,611 S**

(45) **Date of Patent:** **\*\* May 11, 2010**

(54) **SPRINKLER**

D559,351 S \* 1/2008 Lo ..... D23/221

(76) Inventor: **Chi-Han Cheng**, P.O. Box 215,  
Taichung (TW) 40099

\* cited by examiner

*Primary Examiner*—Robin V Webster

(\*\*) Term: **14 Years**

(57) **CLAIM**

(21) Appl. No.: **29/311,925**

The ornamental design for a sprinkler, as shown and described.

(22) Filed: **Jul. 31, 2009**

**DESCRIPTION**

(51) **LOC (9) Cl.** ..... **23-01**

(52) **U.S. Cl.** ..... **D23/221; D23/214**

(58) **Field of Classification Search** ..... D23/213,  
D23/214–217, 221; 239/273, 276, 242  
See application file for complete search history.

FIG. 1 is a perspective view of a sprinkler of the design.

FIG. 2 is a front elevational view of a sprinkler of the design.

FIG. 3 is a rear elevational view of a sprinkler of the design.

FIG. 4 is a left side elevational view of a sprinkler of the design.

FIG. 5 is a right side elevational view of a sprinkler of the design.

FIG. 6 is a top plan view of a sprinkler of the design.

FIG. 7 is a bottom plan view of a sprinkler of the design; and,

FIG. 8 is a perspective view of a sprinkler of the design in a position of use.

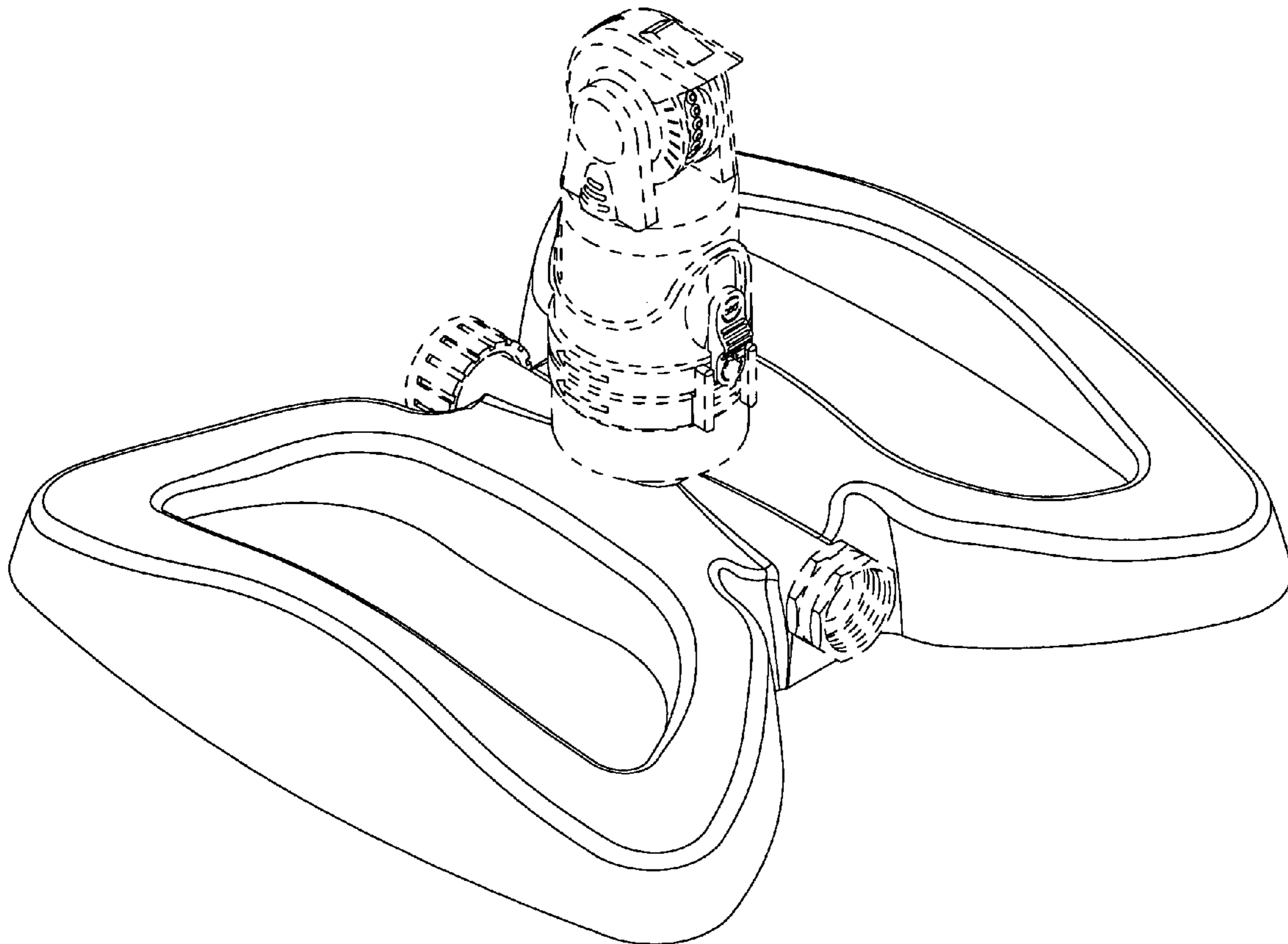
The broken line showing in FIG. 8 is included for the purpose of illustrating and forms no part of the claimed design.

(56) **References Cited**

**U.S. PATENT DOCUMENTS**

D358,449 S *	5/1995	Ford	.....	D23/214
D378,399 S *	3/1997	Simonetti et al.	.....	D23/214
D412,556 S *	8/1999	Hsin-Fa	.....	D23/214
D421,640 S *	3/2000	Chih	.....	D23/221
D432,207 S *	10/2000	Hsin-Fa	.....	D23/221
D501,535 S *	2/2005	Wang	.....	D23/214
D510,405 S *	10/2005	Sener et al.	.....	D23/221

**1 Claim, 8 Drawing Sheets**



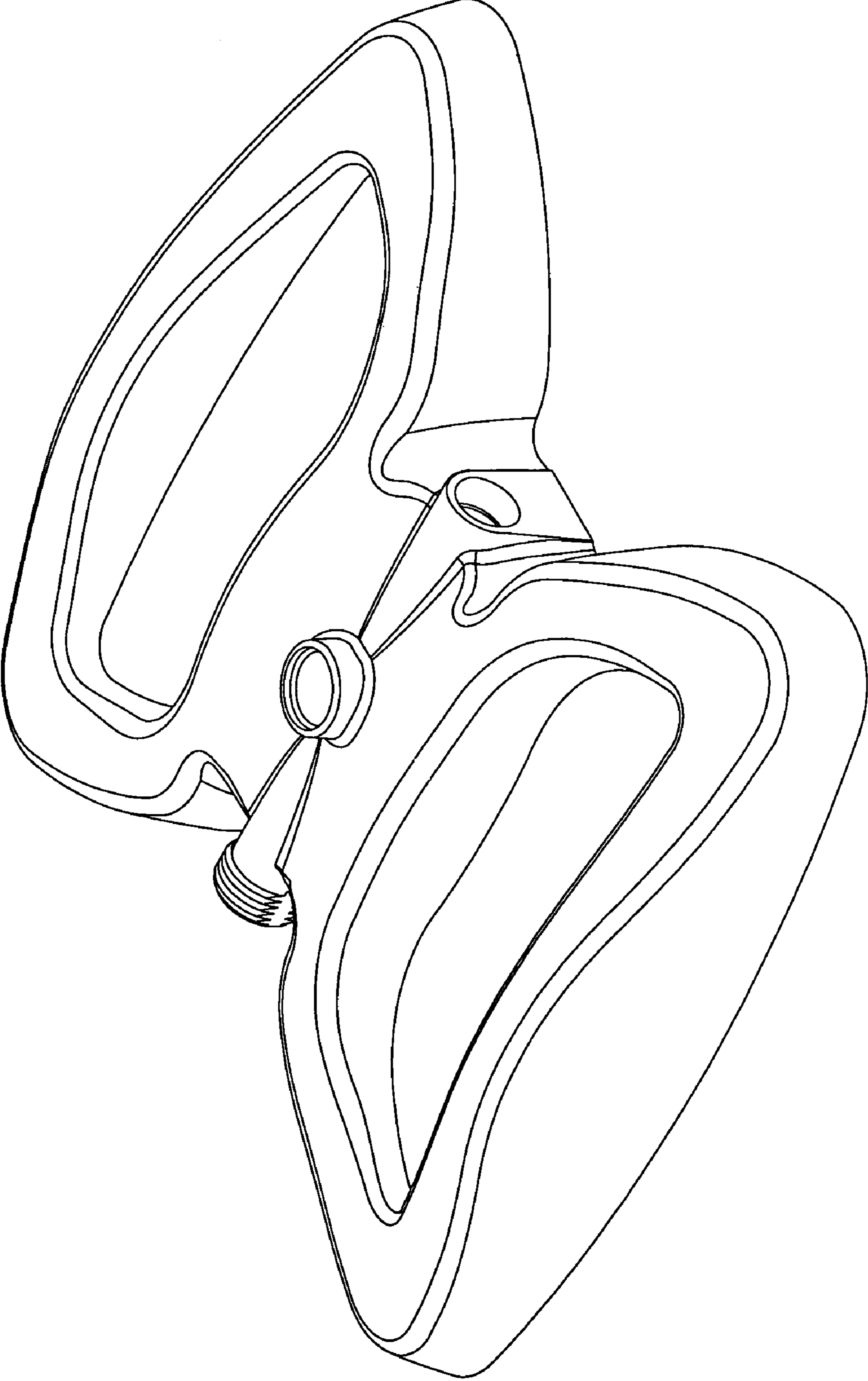


FIG 1

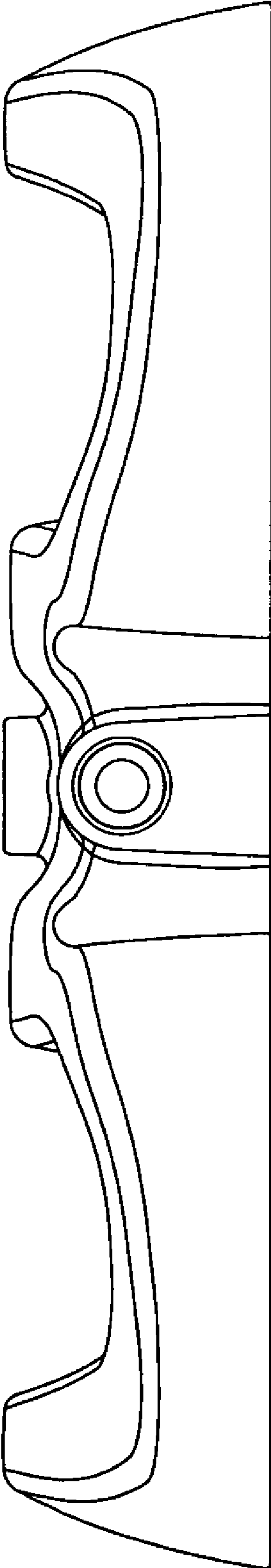


FIG 2

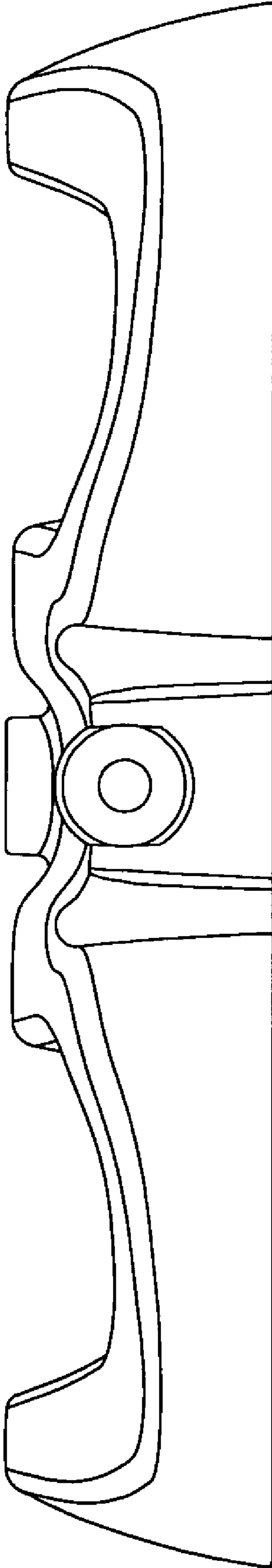


FIG 3

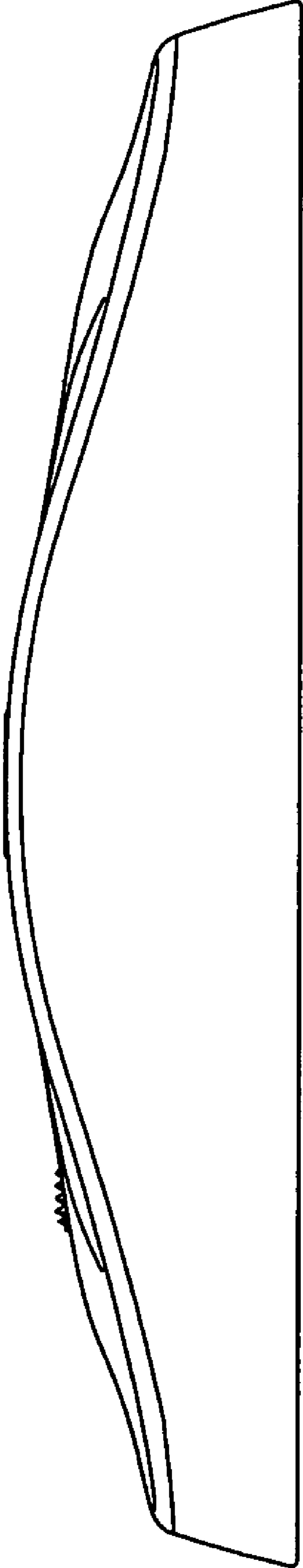


FIG 4

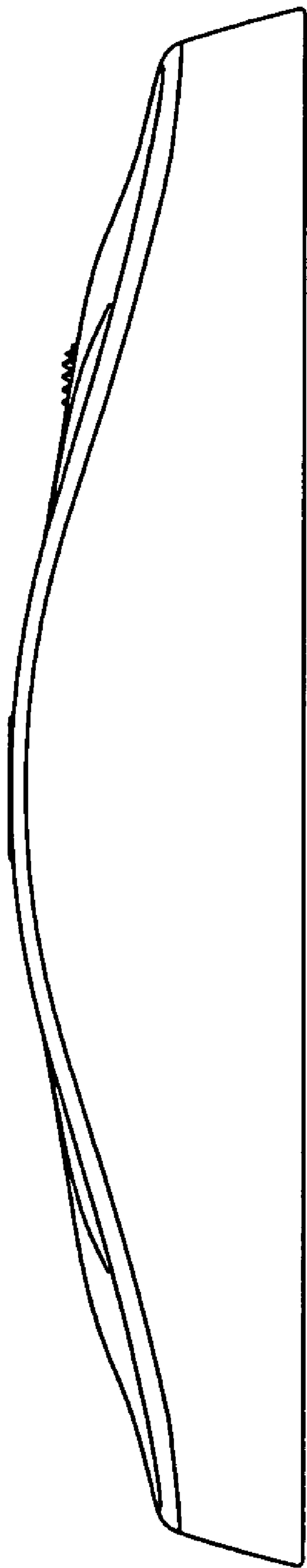


FIG 5

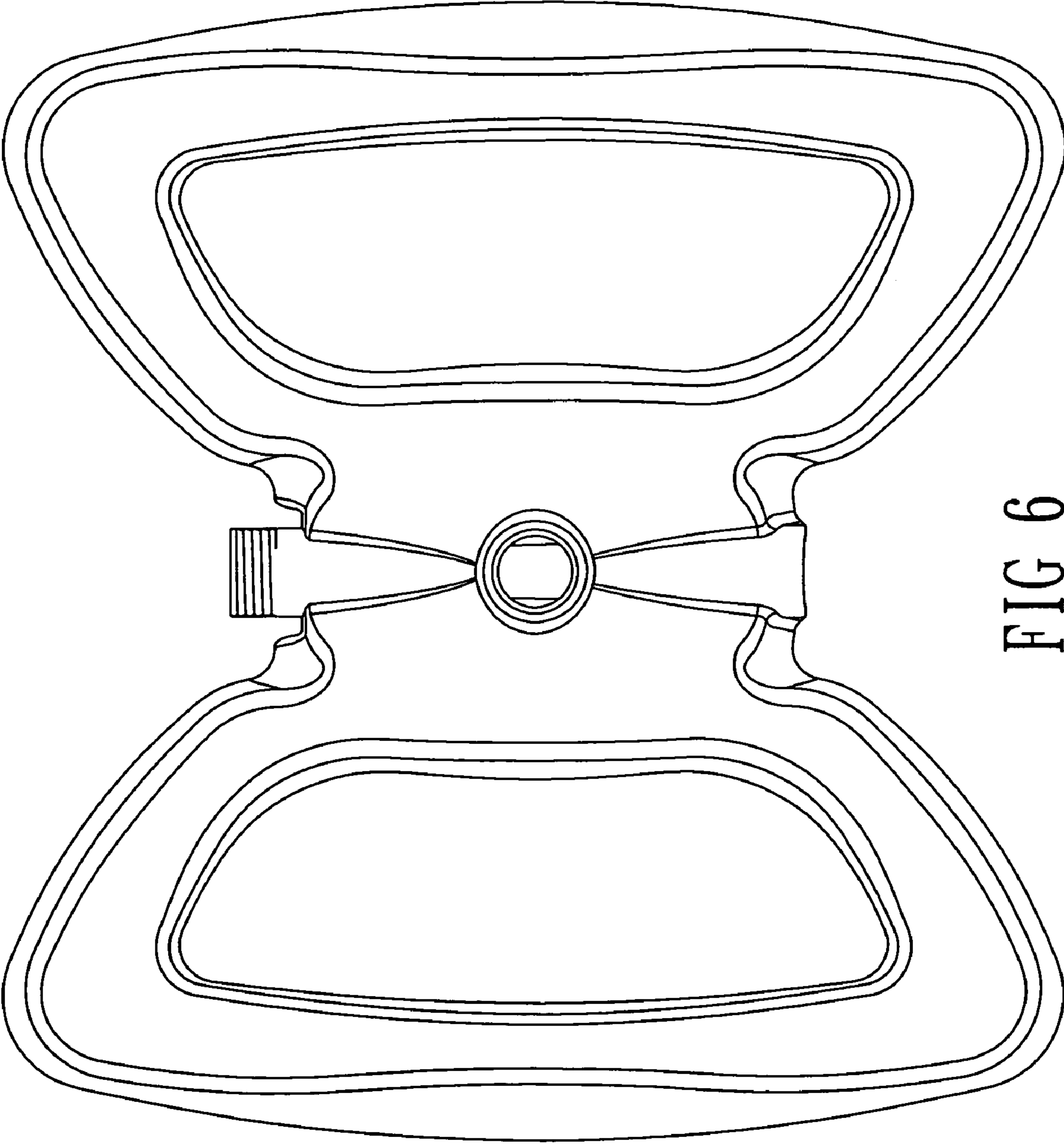


FIG 6

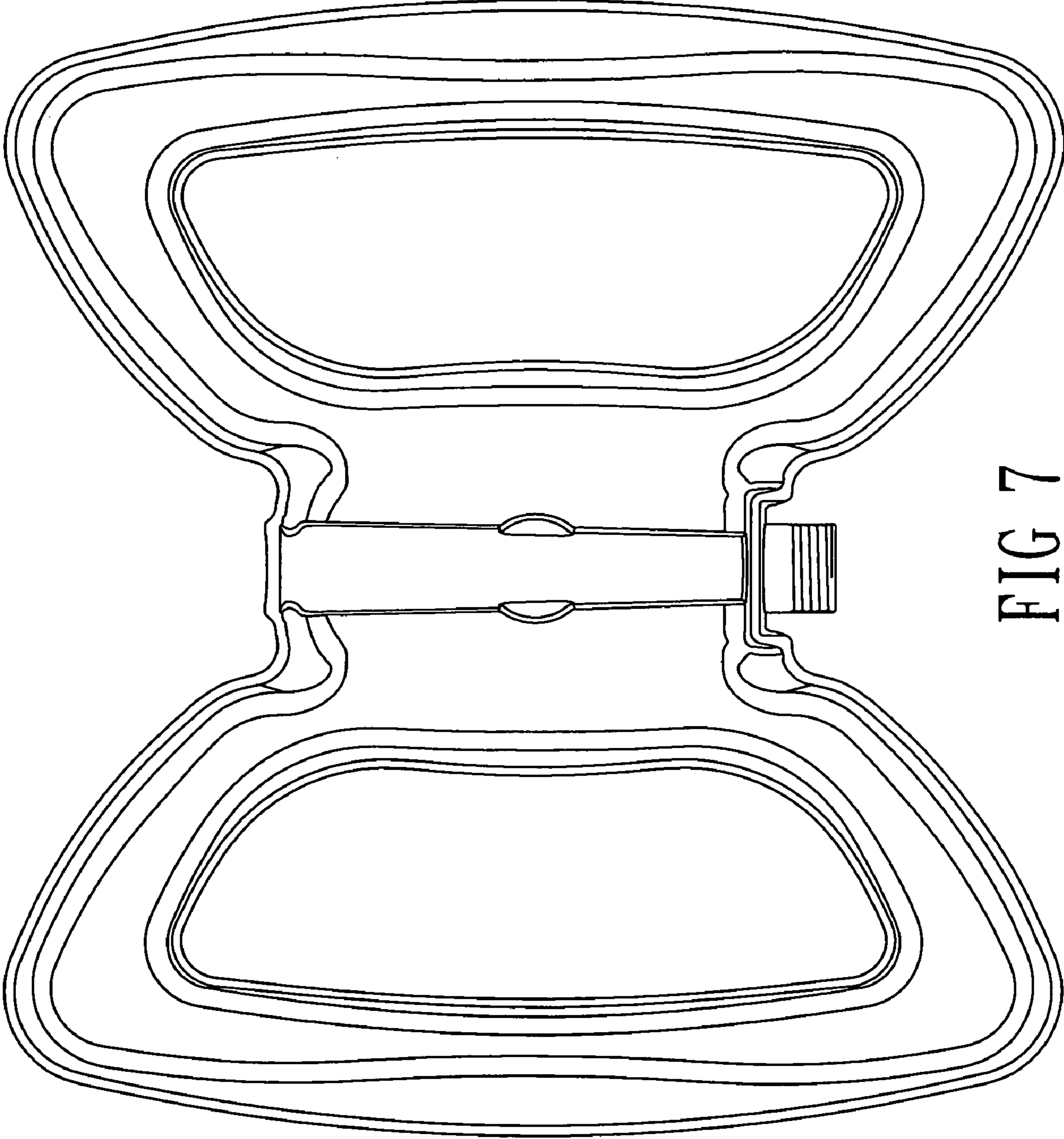


FIG 7



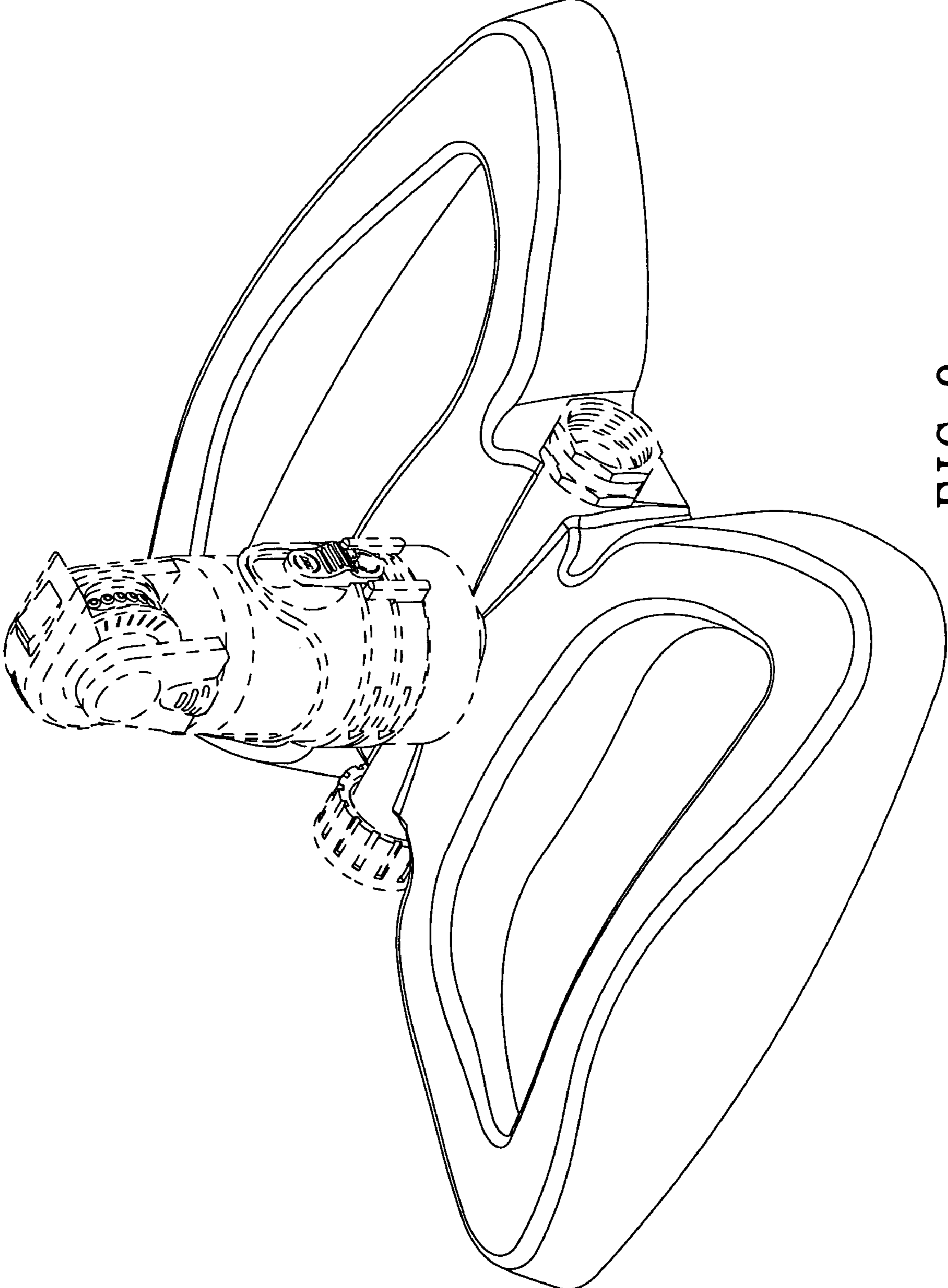


FIG 8