



US00D615610S

(12) **United States Design Patent**
Cheng

(10) **Patent No.:** **US D615,610 S**

(45) **Date of Patent:** **** May 11, 2010**

(54) **SPRINKLER**

Primary Examiner—Robin V Webster

(76) **Inventor:** **Chi-Han Cheng**, P.O. Box 215,
Taichung (TW) 40099

(57) **CLAIM**

The ornamental design for a sprinkler, as shown and described.

(**) **Term:** **14 Years**

(21) **Appl. No.:** **29/311,919**

(22) **Filed:** **Jul. 31, 2009**

DESCRIPTION

(51) **LOC (9) Cl.** **23-01**

(52) **U.S. Cl.** **D23/221; D23/214**

(58) **Field of Classification Search** D23/213,
D23/214–217, 221; 239/273, 276, 242
See application file for complete search history.

FIG. 1 is a perspective view of a sprinkler of the design.

FIG. 2 is a front elevational view of a sprinkler of the design.

FIG. 3 is a rear elevational view of a sprinkler of the design.

FIG. 4 is a left side elevational view of a sprinkler of the design.

FIG. 5 is a right side elevational view of a sprinkler of the design.

FIG. 6 is a top plan view of a sprinkler of the design.

FIG. 7 is a bottom plan view of a sprinkler of the design; and,

FIG. 8 is a perspective view of a sprinkler of the design in a position of use.

The broken line showing in FIG. 8 is included for the purpose of illustrating and forms no part of the claimed design.

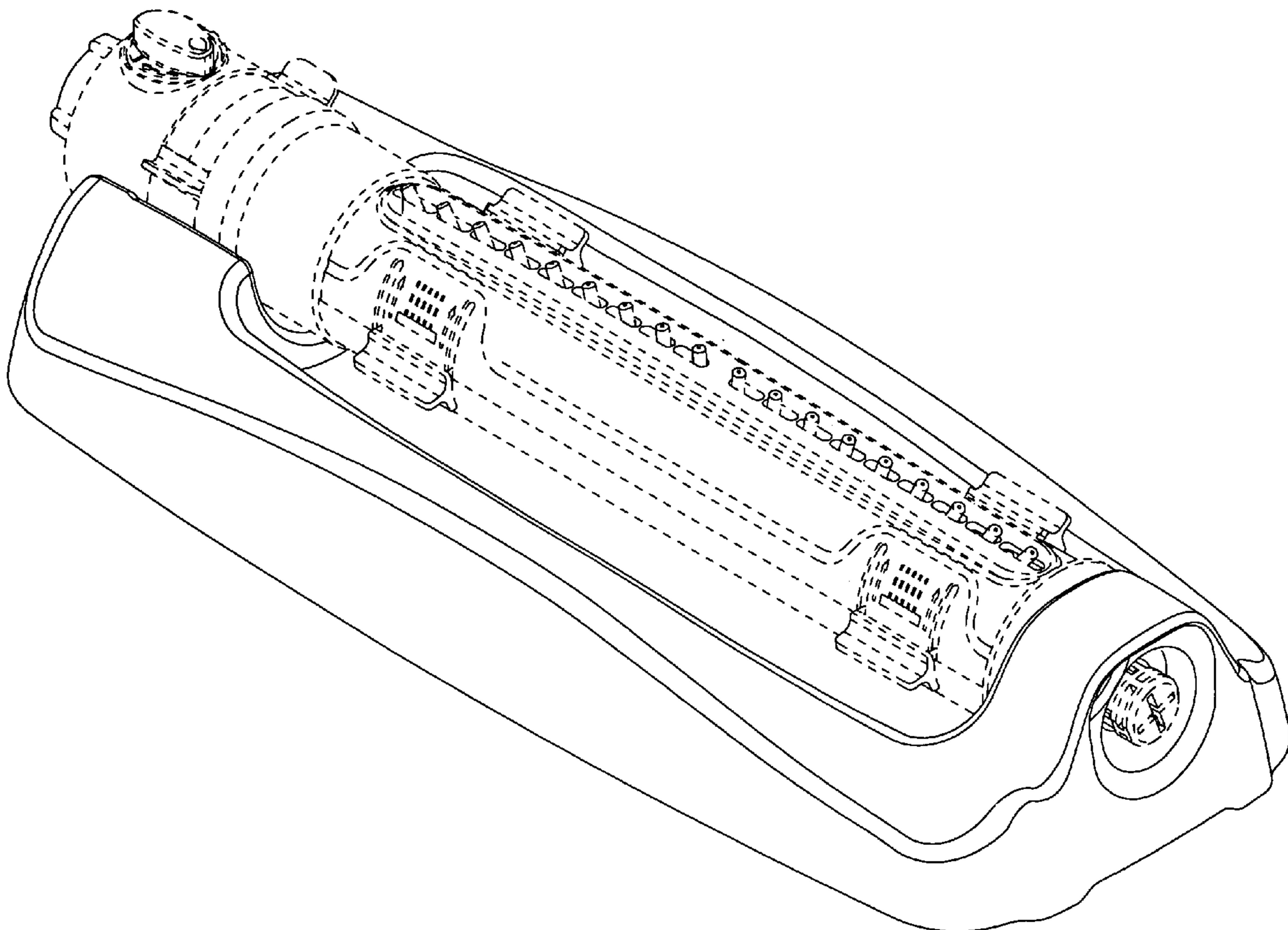
(56) **References Cited**

U.S. PATENT DOCUMENTS

D371,596 S *	7/1996	Simonetti	D23/216
D440,629 S *	4/2001	Guo	D23/216
D459,436 S *	6/2002	Chao	D23/216
D470,218 S *	2/2003	Alkalay et al.	D23/216
D500,122 S *	12/2004	Schapper	D23/221
D554,737 S *	11/2007	Lo	D23/221
D554,739 S *	11/2007	Lo	D23/221
D559,352 S *	1/2008	Lo	D23/221
D597,628 S *	8/2009	Goetz	D23/221

* cited by examiner

1 Claim, 8 Drawing Sheets



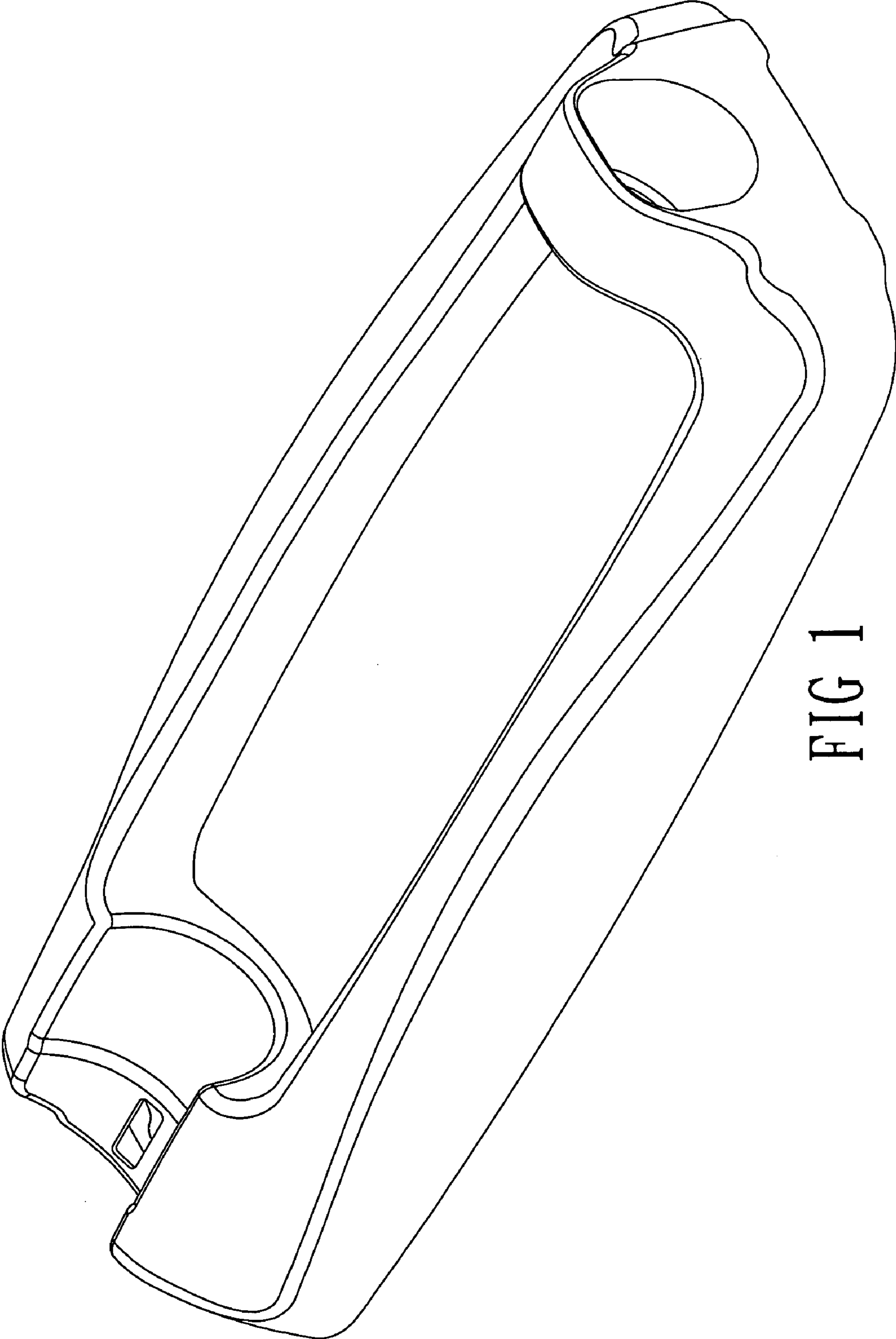


FIG 1

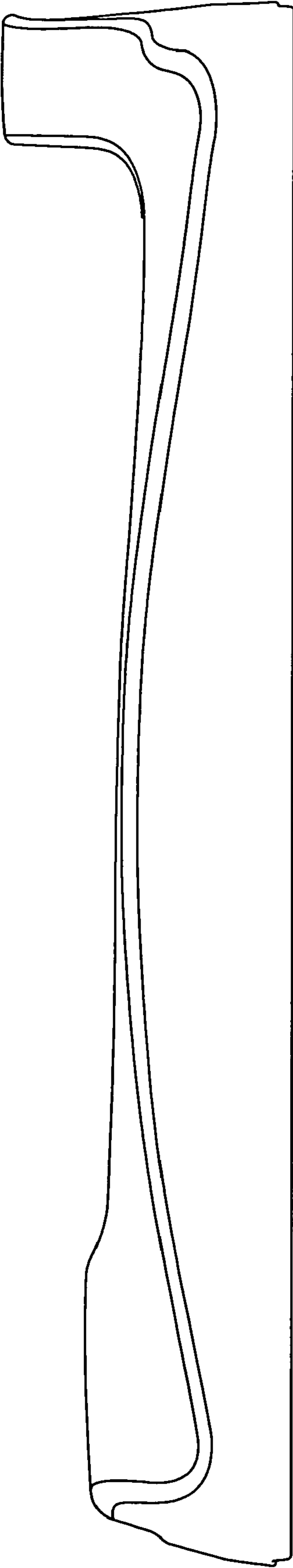


FIG 2

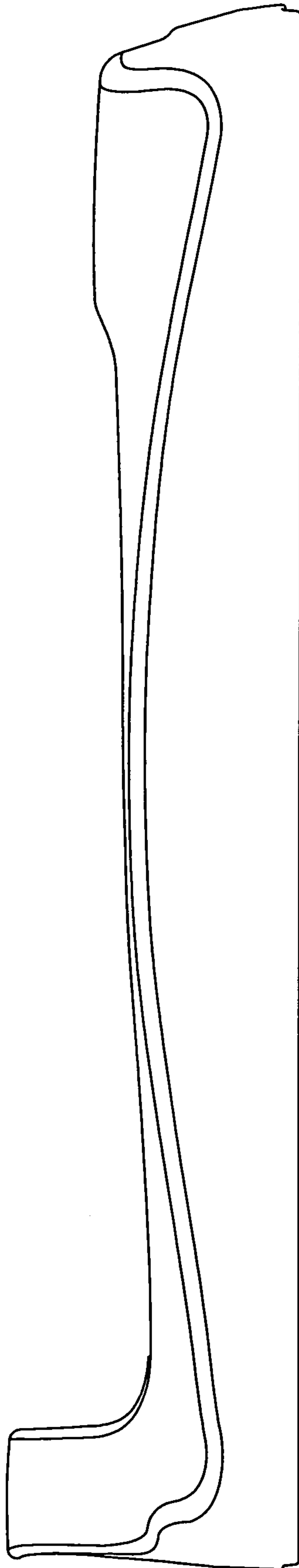


FIG 3

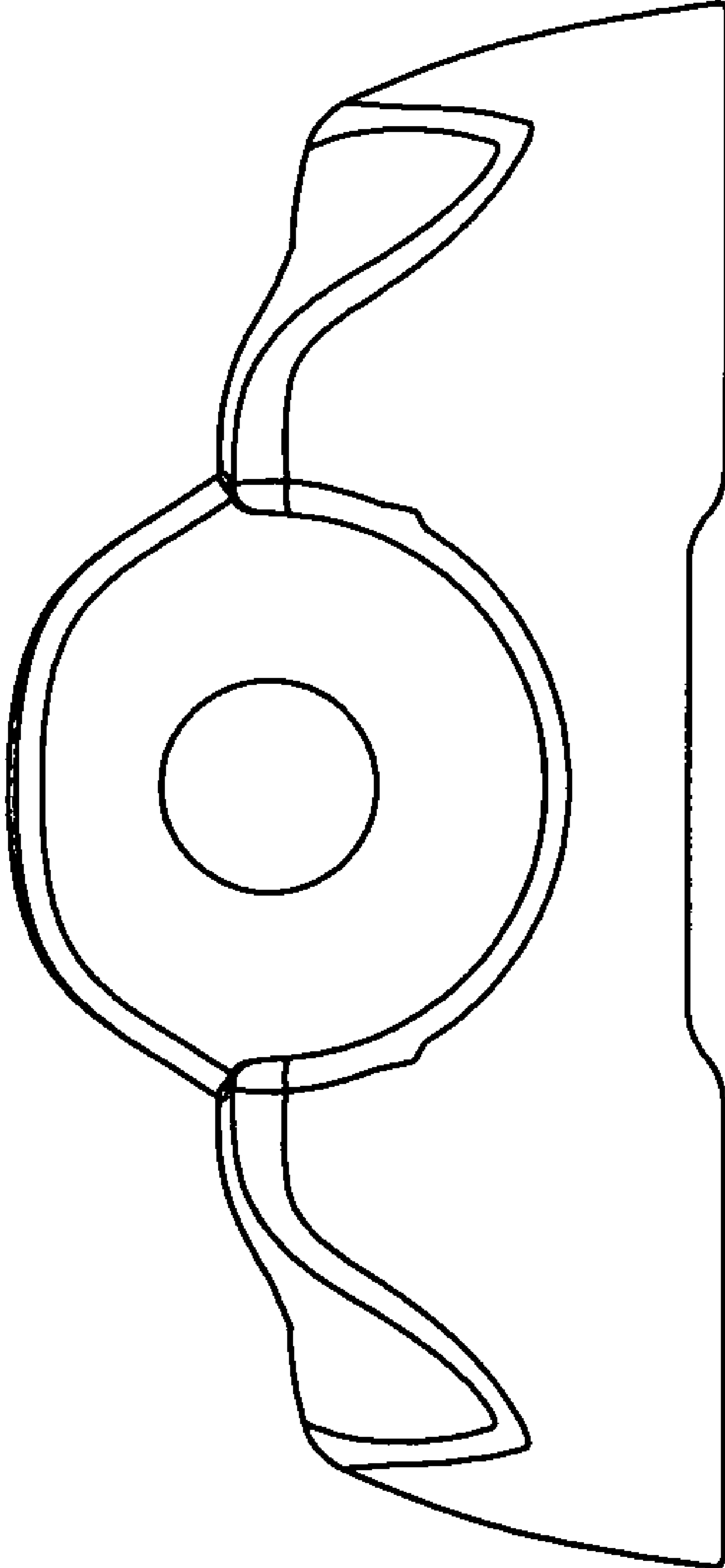


FIG 4

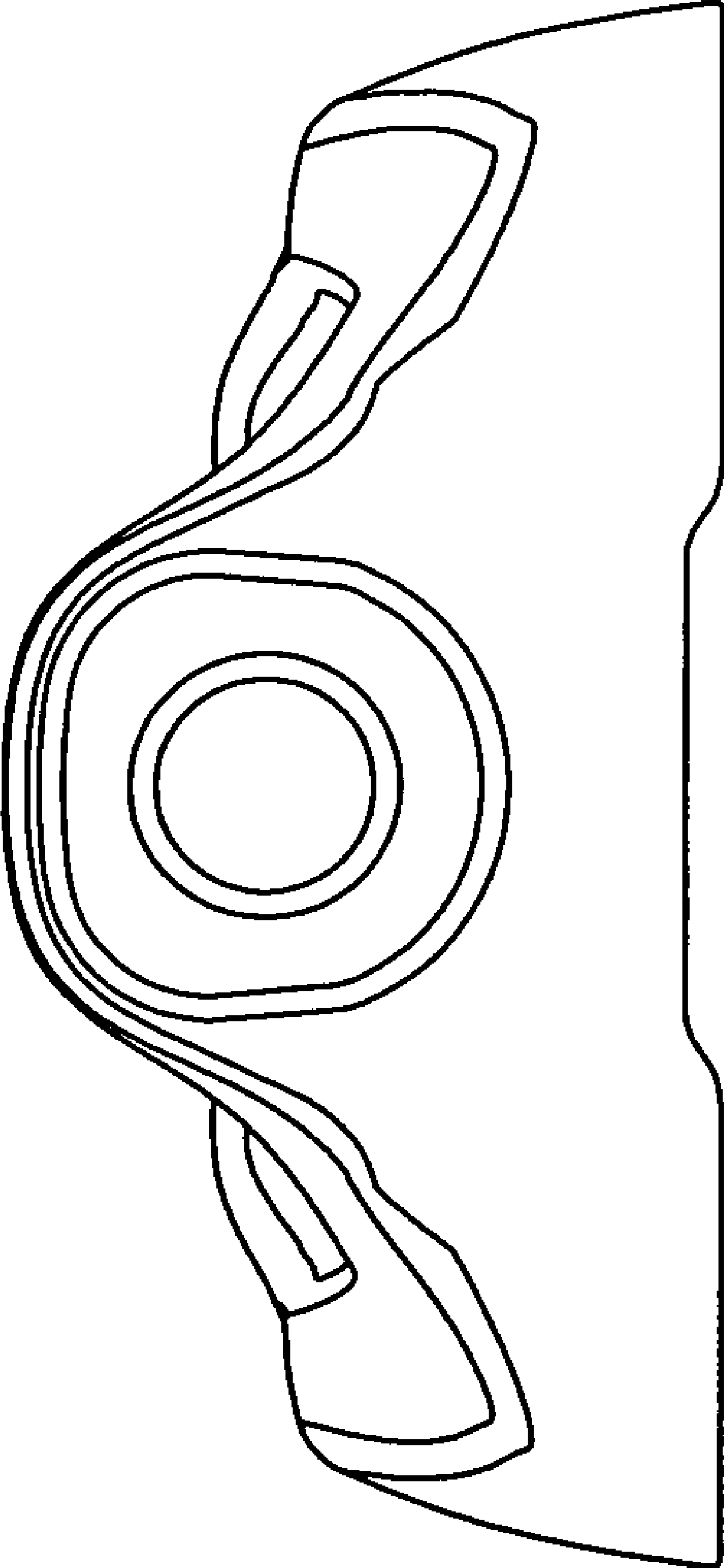


FIG 5

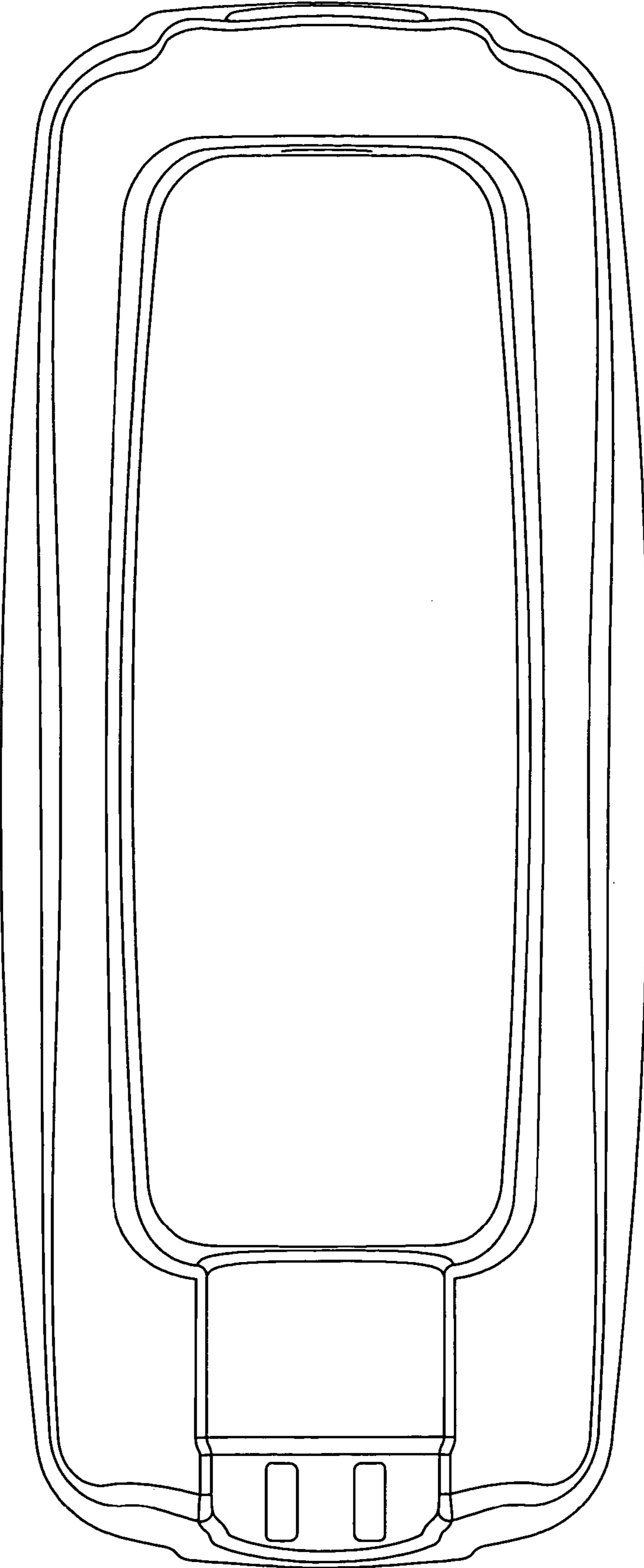


FIG 6

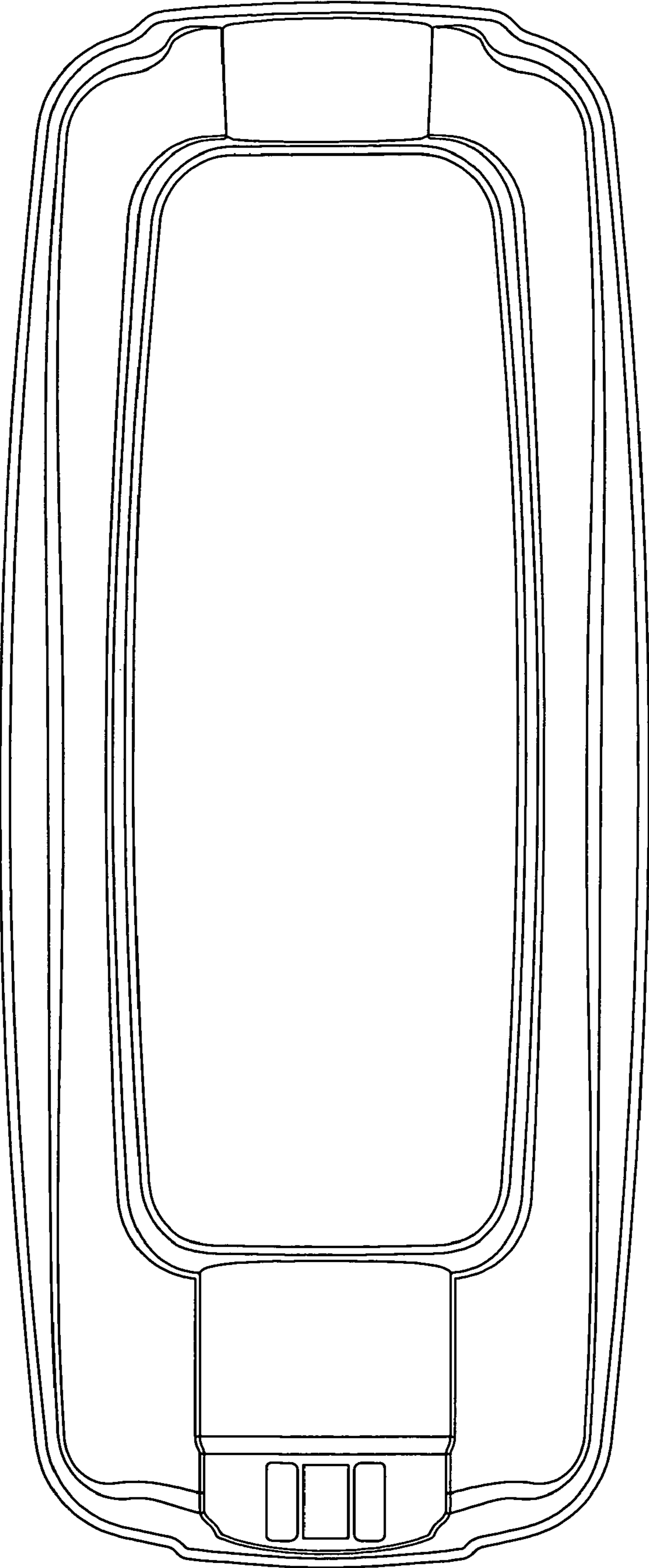


FIG 7

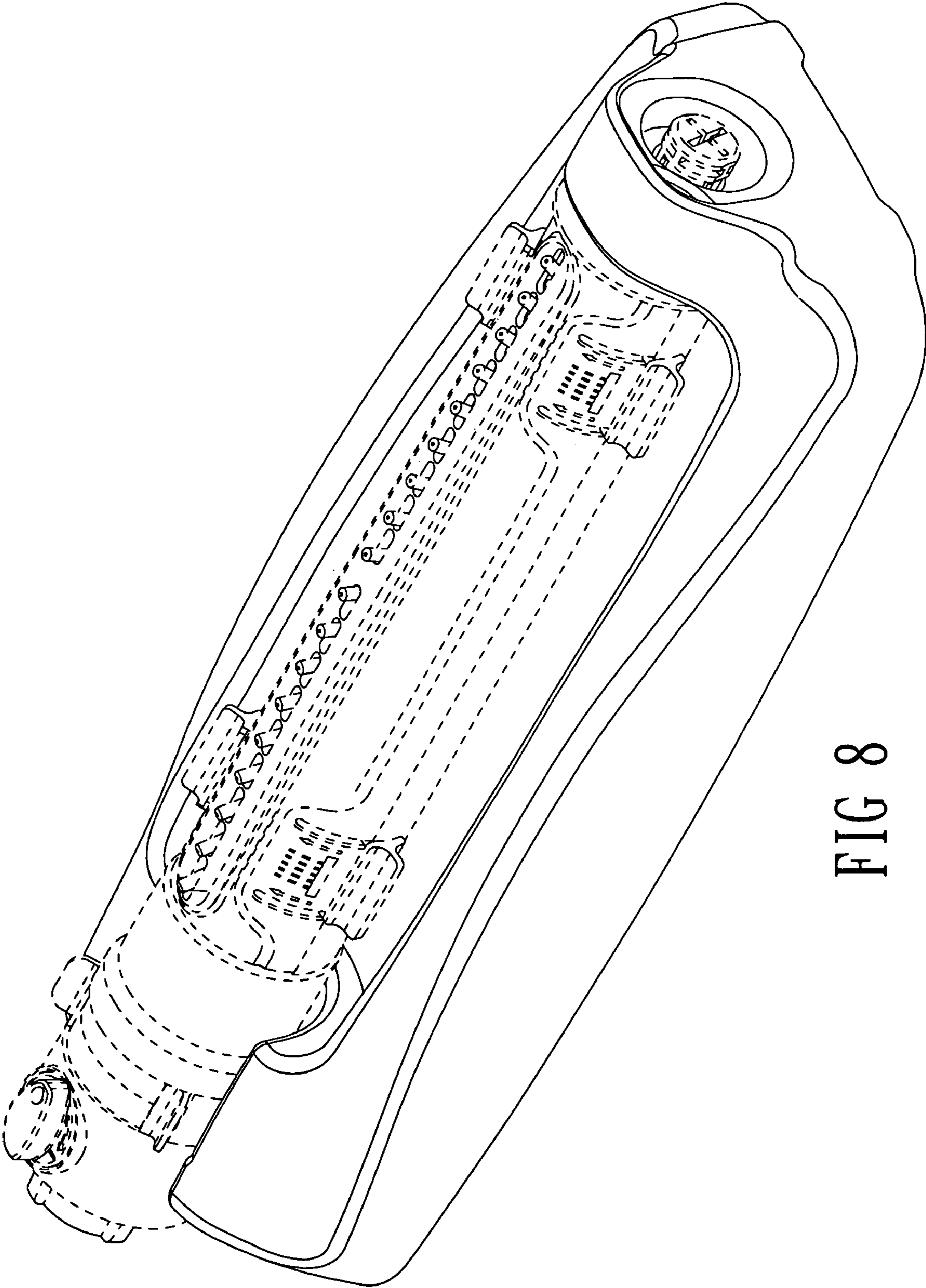


FIG 8