



US00D615604S

(12) **United States Design Patent**
Keiser

(10) **Patent No.:** **US D615,604 S**
(45) **Date of Patent:** **** May 11, 2010**

(54) **ELLIPTICAL MACHINE**

(75) Inventor: **Dennis L. Keiser**, Sanger, CA (US)

(73) Assignee: **Keiser Corporation**, Fresno, CA (US)

(**) Term: **14 Years**

(21) Appl. No.: **29/341,048**

(22) Filed: **Jul. 29, 2009**

(51) **LOC (9) Cl.** **21-02**

(52) **U.S. Cl.** **D21/668**

(58) **Field of Classification Search** D21/662-670,
D21/694, 697; 482/51-52, 57-59, 62, 64-65,
482/70

See application file for complete search history.

(56) **References Cited**

U.S. PATENT DOCUMENTS

D387,107	S *	12/1997	Yang	D21/668
D395,933	S *	7/1998	Lin	D21/662
5,782,722	A *	7/1998	Sands et al.	482/52
6,090,014	A *	7/2000	Eschenbach	482/52
D459,773	S *	7/2002	Hsiung	D21/668
7,223,209	B2 *	5/2007	Lee	482/52
7,264,576	B2 *	9/2007	Gerschefske et al.	482/52
D581,470	S *	11/2008	Wu	D21/668
7,462,136	B2 *	12/2008	Pan et al.	482/52
7,547,267	B1 *	6/2009	Wang	482/52

D599,863	S *	9/2009	Quijada	D21/668
2008/0146417	A1 *	6/2008	Chang	482/70
2008/0161166	A1 *	7/2008	Lo	482/52

* cited by examiner

Primary Examiner—Philip S Hyder

Assistant Examiner—Susan E Krakower

(74) *Attorney, Agent, or Firm*—Knobbe, Martens, Olson & Bear LLP

(57) **CLAIM**

The ornamental design for an elliptical machine, as shown and described.

DESCRIPTION

FIG. 1 is a perspective view of an elliptical machine configured in accordance with the present invention;

FIG. 2 is a front view thereof;

FIG. 3 is a rear view thereof;

FIG. 4 is a right side view thereof;

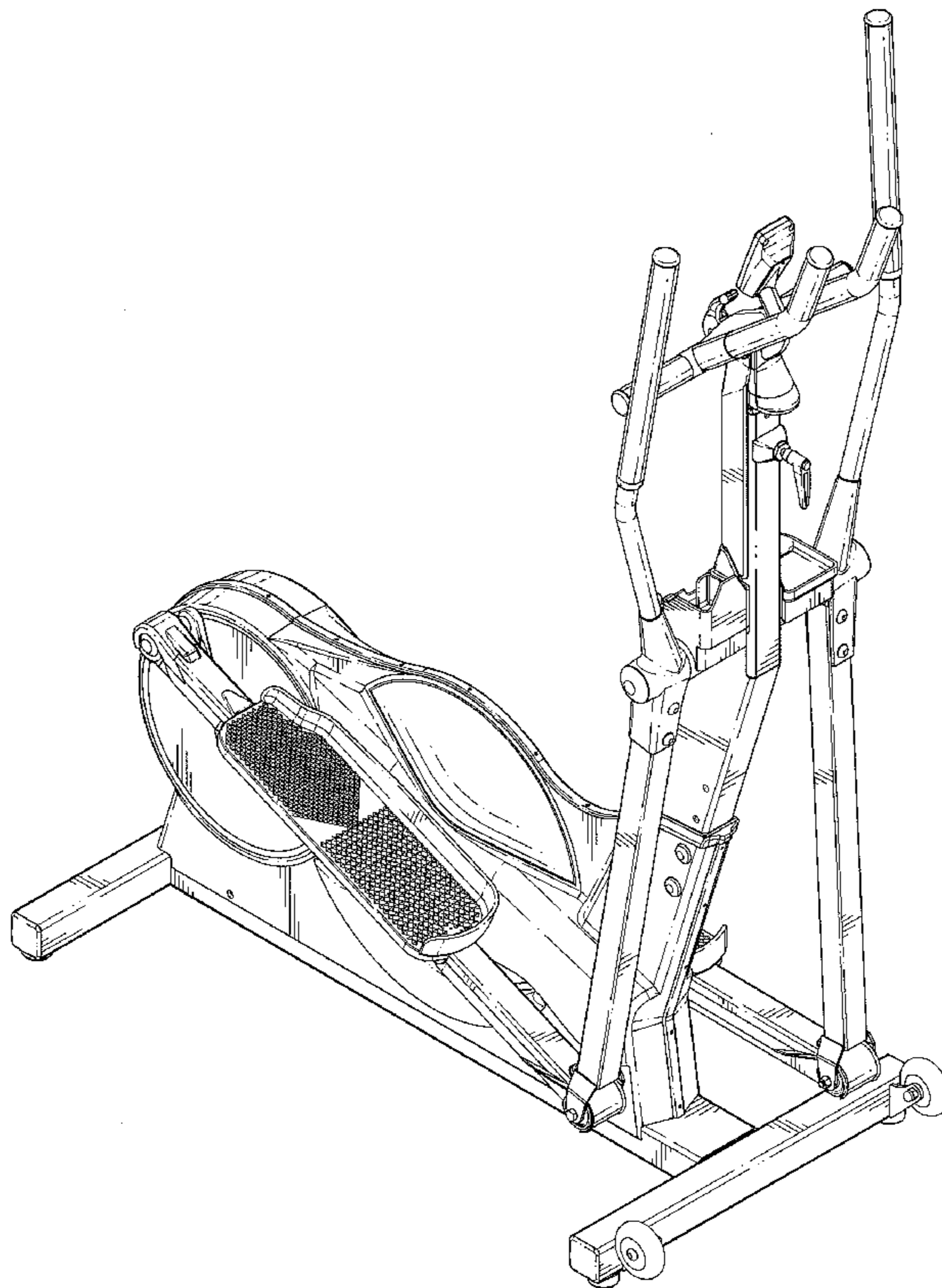
FIG. 5 is a left side view thereof;

FIG. 6 is a top view thereof; and,

FIG. 7 is a bottom view thereof.

The broken lines in FIG. 4 illustrate environmental portions of the elliptical machine which form no part of the claimed design.

1 Claim, 6 Drawing Sheets



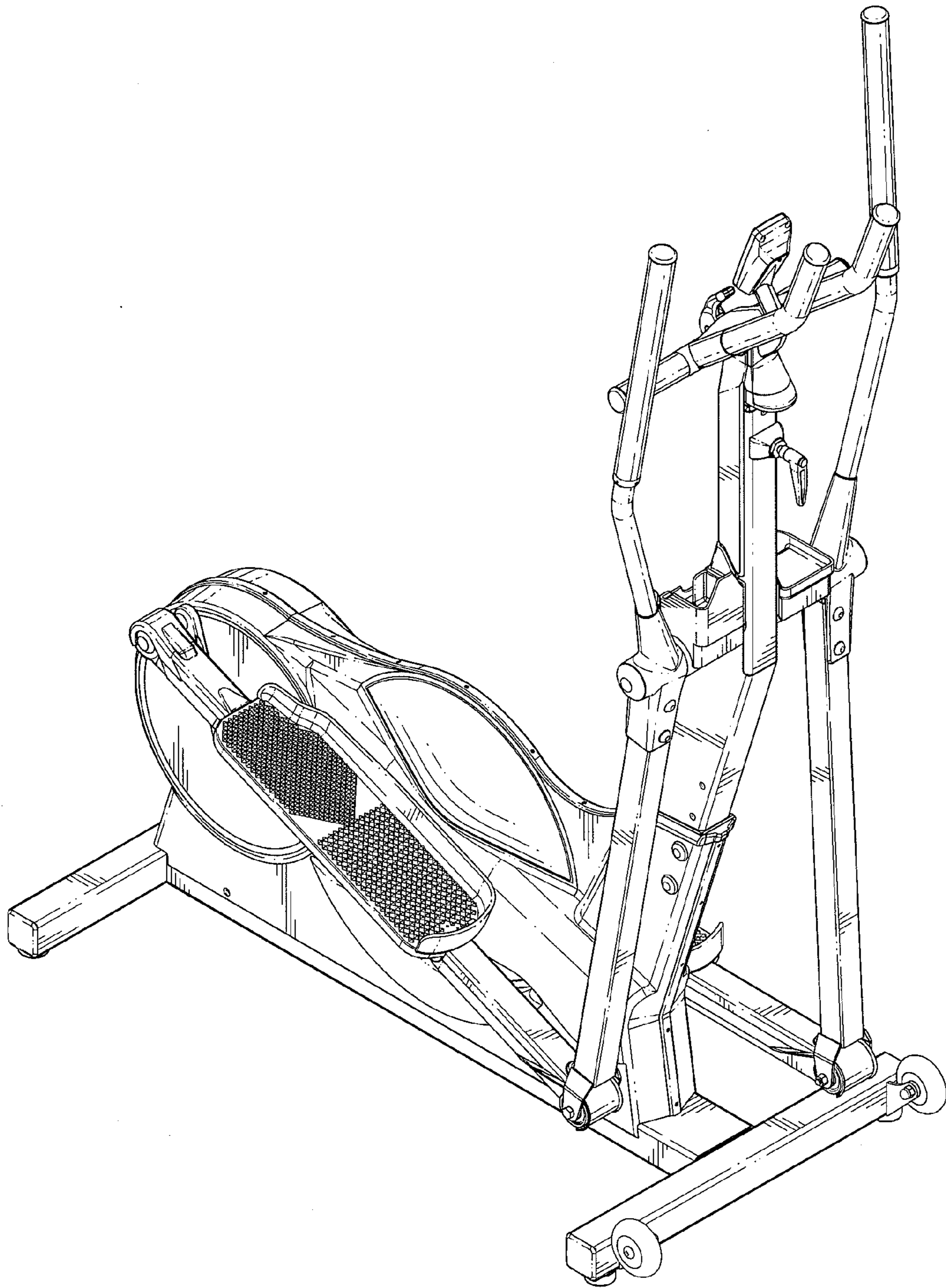


FIG. 1

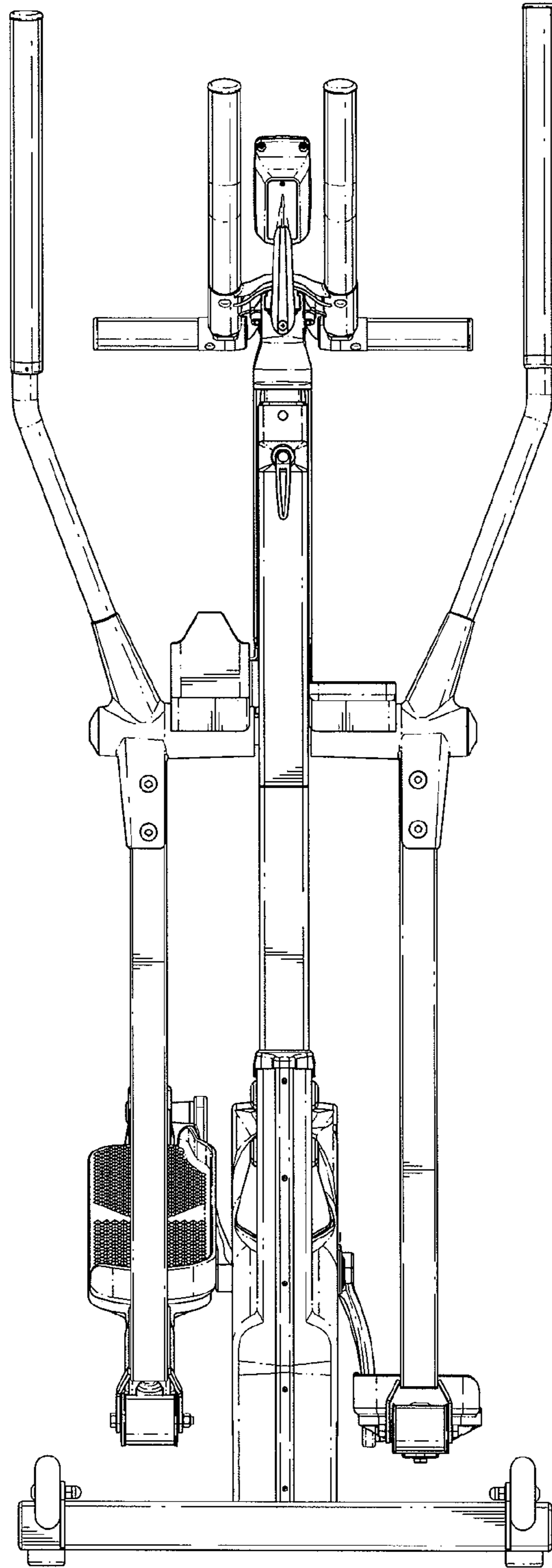


FIG. 2

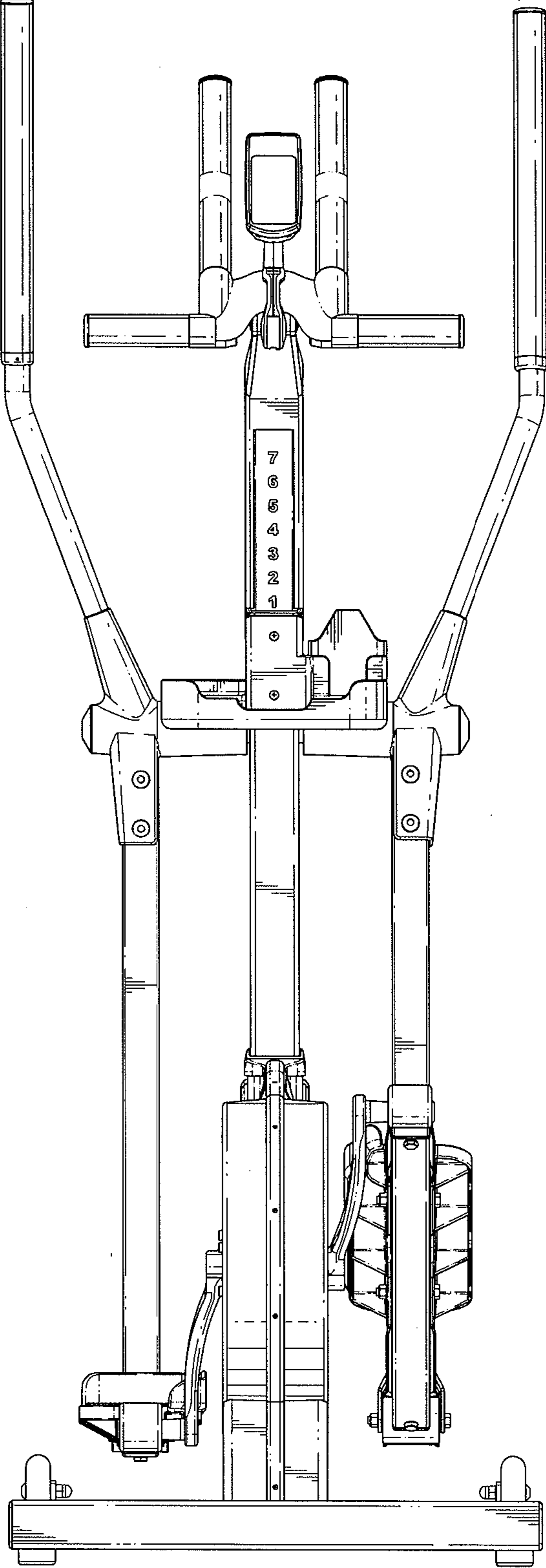


FIG. 3

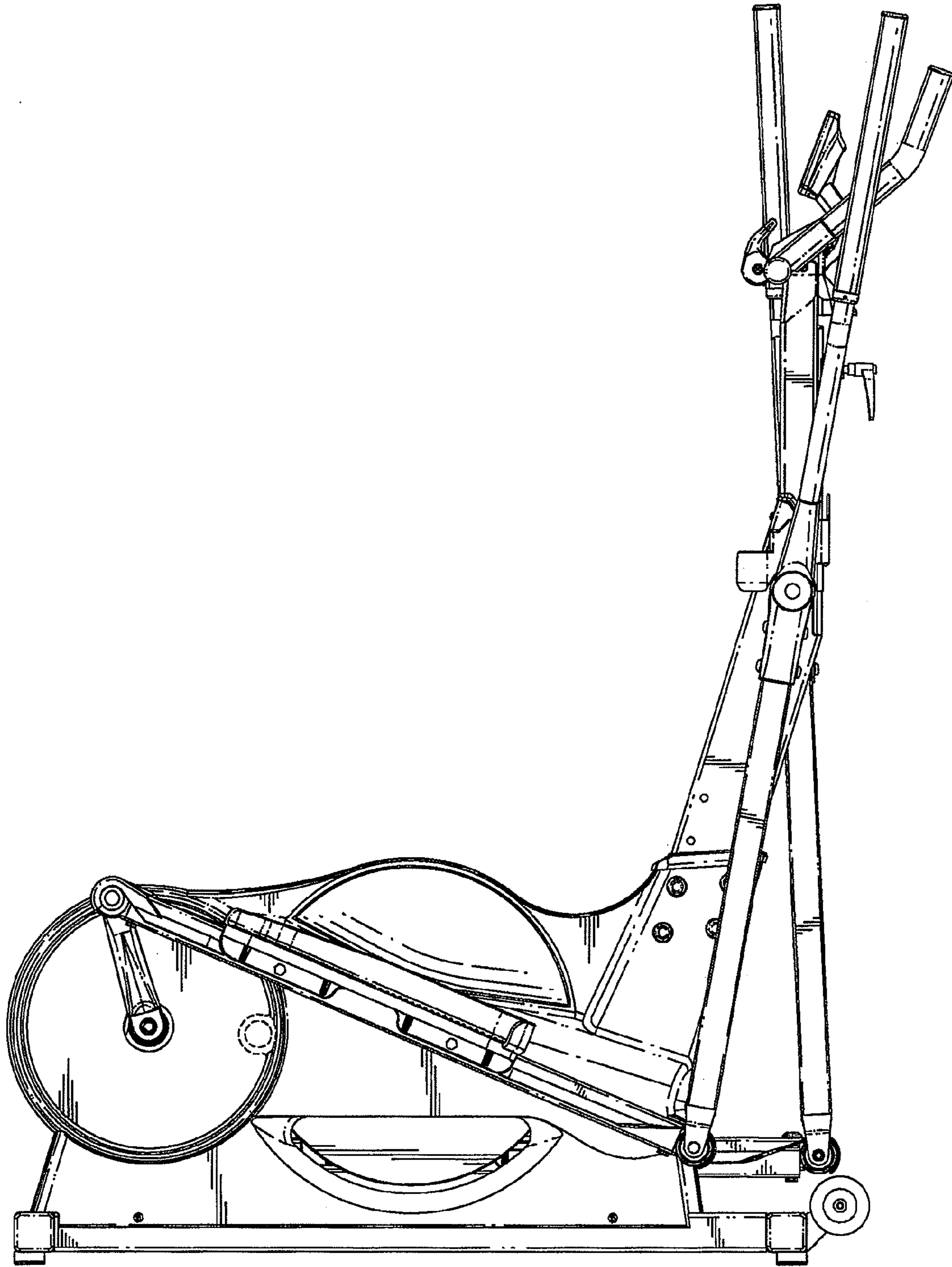


FIG. 4

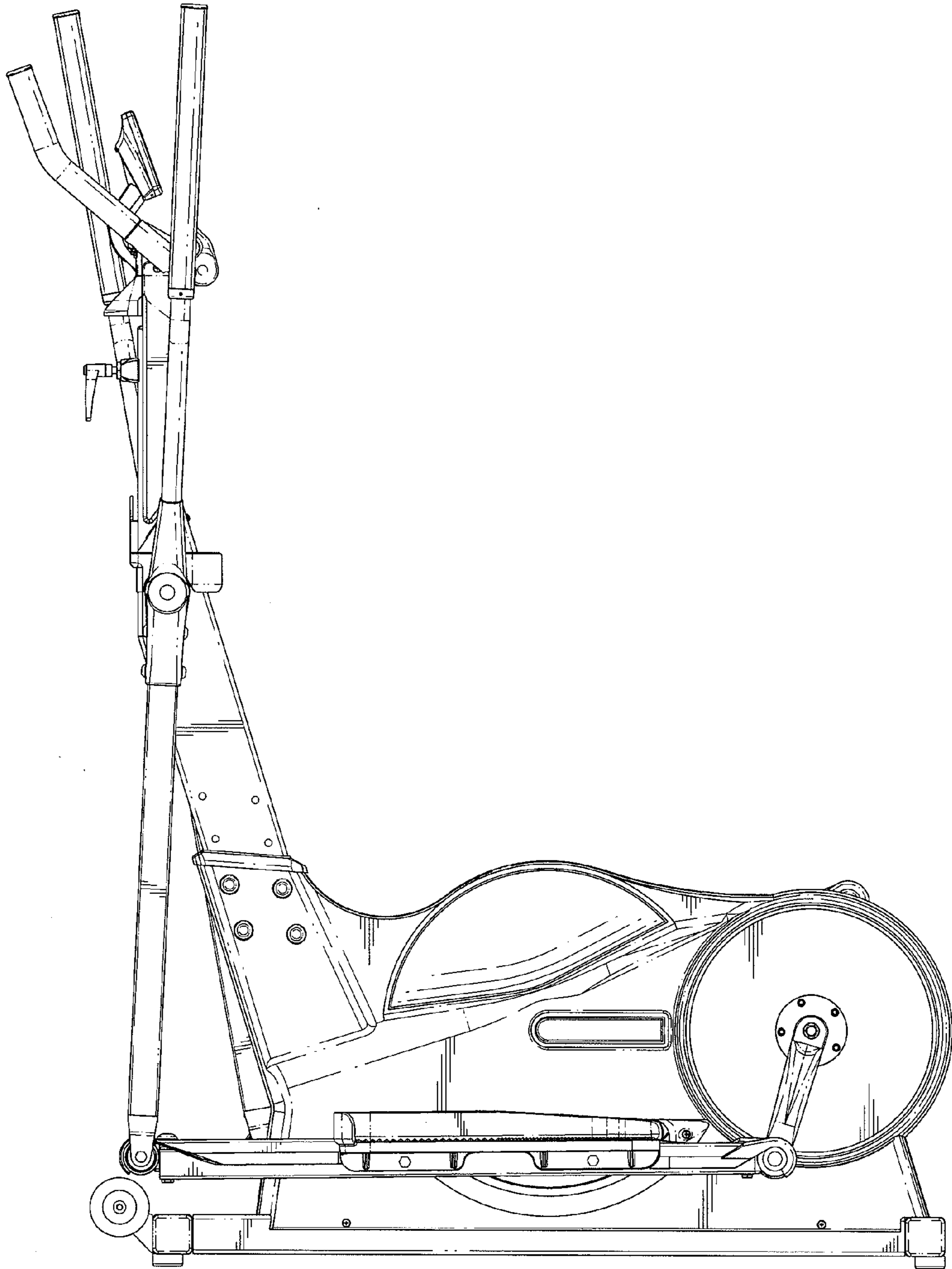


FIG. 5

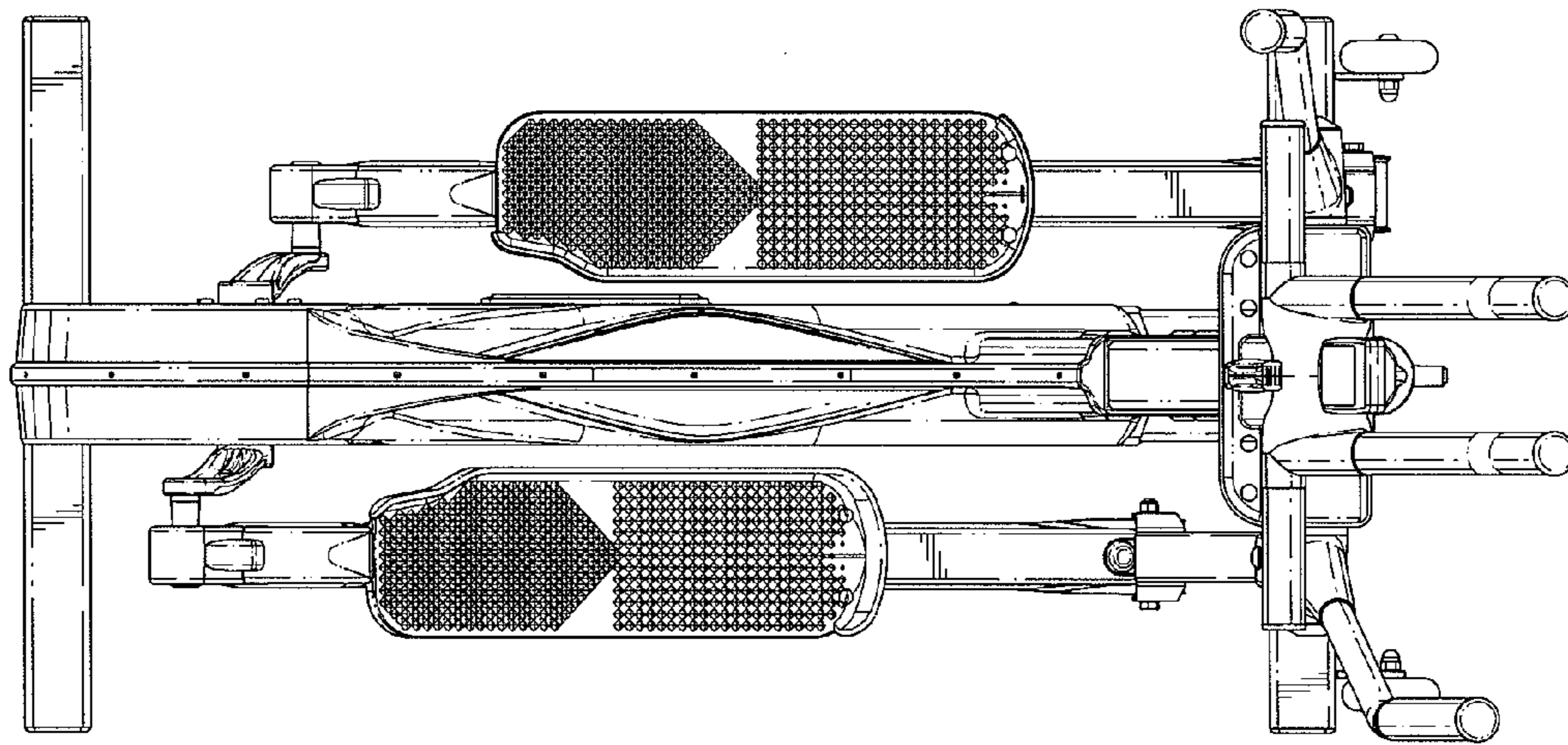


FIG. 6

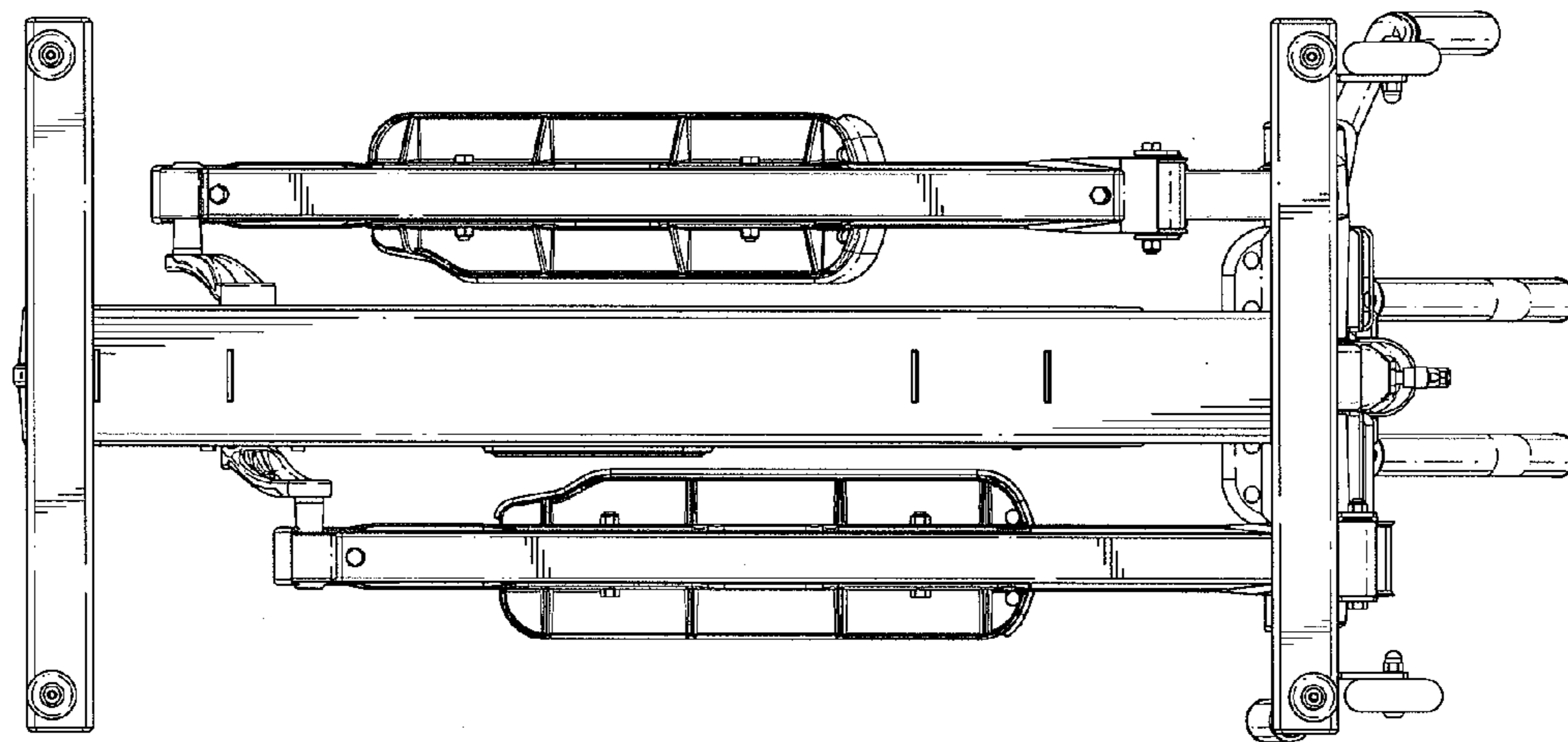


FIG. 7