



US00D615602S

(12) **United States Design Patent**  
**Nishimoto**

(10) **Patent No.:** **US D615,602 S**

(45) **Date of Patent:** **\*\* May 11, 2010**

(54) **TOY TOP**

(75) Inventor: **Hisao Nishimoto**, Tokyo (JP)

(73) Assignee: **Tomy Company, Ltd.**, Tokyo (JP)

(\*\*) Term: **14 Years**

(21) Appl. No.: **29/309,758**

(22) Filed: **Oct. 6, 2008**

(30) **Foreign Application Priority Data**

Apr. 8, 2008 (JP) ..... 2008-8984

(51) **LOC (9) Cl.** ..... **21-01**

(52) **U.S. Cl.** ..... **D21/460**

(58) **Field of Classification Search** ..... D9/385,  
D9/386, 390, 398, 404, 436-438, 441-444,  
D9/451, 453, 455, 458, 460-464, 563, 578,  
D9/585, 592; 446/34, 36-48, 217, 218, 236-266,  
446/330, 352, 358, 359, 366, 368, 429, 430

See application file for complete search history.

(56) **References Cited**

**U.S. PATENT DOCUMENTS**

461,948	A	10/1891	Wilson	
D155,015	S	8/1949	Krapp	
2,789,392	A *	4/1957	Palmieri	446/261
3,220,142	A *	11/1965	Butterfield	446/46
4,157,632	A *	6/1979	Everett	446/36
D262,610	S *	1/1982	Westlake et al.	D10/111
D353,632	S *	12/1994	Nonaka et al.	D21/460
D356,347	S *	3/1995	Nonaka et al.	D21/460
5,518,437	A *	5/1996	Nonaka et al.	446/259
6,604,979	B1 *	8/2003	Liu	446/256
6,626,729	B2 *	9/2003	Osawa	446/250
6,739,939	B2 *	5/2004	Matsukawa	446/256
6,746,300	B1 *	6/2004	Matsukawa	446/256

6,905,389	B2 *	6/2005	Matsukawa	446/256
7,063,589	B2	6/2006	Matsukawa et al.	
7,427,225	B2	9/2008	Matsukawa et al.	
D584,366	S	1/2009	Bowen et al.	

(Continued)

**FOREIGN PATENT DOCUMENTS**

CN 2925561 Y \* 7/2007

(Continued)

**OTHER PUBLICATIONS**

European Search Report in Application No. 08253264.9 dated Jun. 25, 2009.

(Continued)

*Primary Examiner*—Catherine Tuttle

(74) *Attorney, Agent, or Firm*—Staas & Halsey LLP

(57) **CLAIM**

The ornamental design for a toy top, as shown and described.

**DESCRIPTION**

FIG. 1 is a side view of the toy top showing my design;

FIG. 2 is a side view opposite to FIG. 1;

FIG. 3 is a side view rotated 30° to the right of FIG. 1;

FIG. 4 is a side view rotated 30° to the right of FIG. 2;

FIG. 5 is a top view thereof;

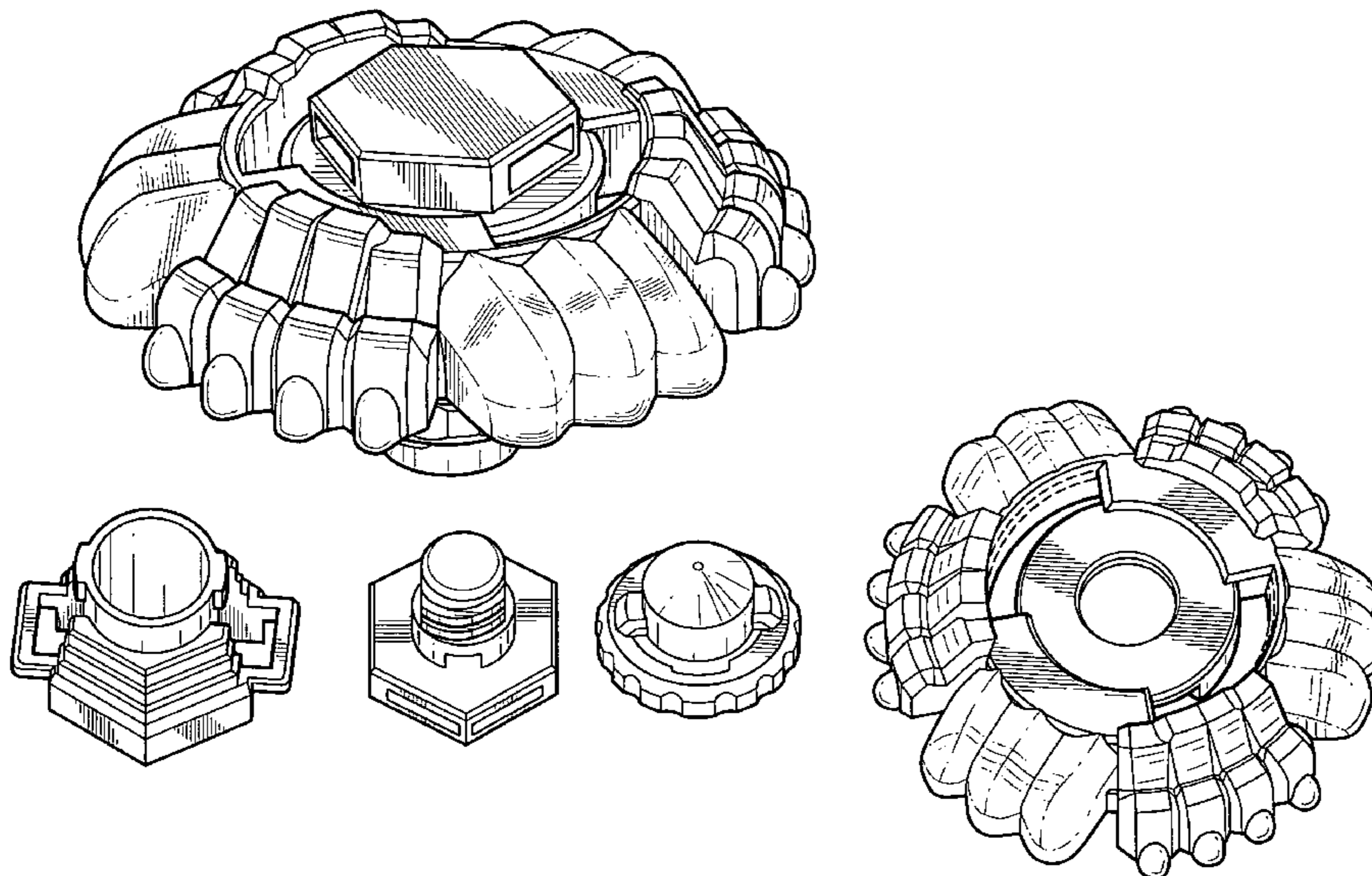
FIG. 6 is a bottom view thereof;

FIG. 7 is a perspective view thereof; and,

FIG. 8 is a perspective view showing the design with its components in a separated state.

The broken lines are included for the purpose of illustrating portions of the toy top that form no part of the claimed design.

**1 Claim, 5 Drawing Sheets**



U.S. PATENT DOCUMENTS

2002/0102907 A1 8/2002 Osawa  
 2003/0064660 A1 4/2003 Matsukawa  
 2004/0198152 A1 10/2004 Matsukawa  
 2006/0258259 A1\* 11/2006 Lin ..... 446/256

FOREIGN PATENT DOCUMENTS

CN 200977395 Y \* 11/2007  
 CN 200977396 Y \* 11/2007  
 CN 200977397 Y \* 11/2007  
 CN 200977398 Y \* 11/2007  
 CN 200984446 Y \* 12/2007  
 DE 202 07 253 10/2002  
 JP 3067318 3/2000  
 JP 3156926 4/2001  
 JP 2003320174 A \* 11/2003  
 JP 2005328976 A \* 12/2005

OTHER PUBLICATIONS

Abstract of Japanese Publication of 3156926, published Feb. 27, 2001.  
 U.S. Copyright Registration No. VA1-151-590 dated Nov. 15, 2002 with deposit copy.  
 U.S. Copyright Registration No. VA1-151-591 dated Nov. 15, 2002 with deposit copy.  
 U.S. Copyright Registration No. VA1-151-593 dated Nov. 15, 2002 with deposit copy.  
 U.S. Copyright Registration No. VA1-172-925 dated Oct. 22, 2002 with deposit copy.  
 U.S. Copyright Registration No. VA1-172-926 dated Oct. 22, 2002 with deposit copy.  
 U.S. Copyright Registration No. VA1-172-927 dated Oct. 22, 2002 with deposit copy.  
 U.S. Copyright Registration No. VA1-172-931 dated Oct. 22, 2002 with deposit copy.  
 U.S. Copyright Registration No. VA1-172-935 dated Oct. 22, 2002 with deposit copy.  
 Specimen filed in U.S. Trademark Registration No. 3,002,216 on Jul. 11, 2005.

Apr. 7, 2009 Notice of Allowance in co-pending U.S. Appl. No. 29/309,764.  
 Apr. 15, 2009 Office Action in co-pending U.S. Appl. No. 29/309,766.  
 Apr. 16, 2009 Office Action in co-pending U.S. Appl. No. 29/309,768.  
 Apr. 15, 2009 Office Action in co-pending U.S. Appl. No. 29/309,759.  
 Apr. 7, 2009 Office Action in co-pending U.S. Appl. No. 29/309,761. Notice of Allowance in co-pending U.S. Appl. No. 29/309,762.  
 U.S. Appl. No. 29/309,764, filed Oct. 6, 2008, Nishimoto, Tomy Company, Ltd.  
 U.S. Appl. No. 29/309,766, filed Oct. 6, 2008, Nishimoto, Tomy Company, Ltd.  
 U.S. Appl. No. 29/309,768, filed Oct. 6, 2008, Nishimoto, Tomy Company, Ltd.  
 U.S. Appl. No. 29/309,759, filed Oct. 6, 2008, Ujita, Tomy Company, Ltd.  
 U.S. Appl. No. 29/309,761, filed Oct. 6, 2008, Nishimoto, Tomy Company, Ltd.  
 U.S. Appl. No. 29/309,762, filed Oct. 6, 2008, Nishimoto, Tomy Company, Ltd.  
 U.S. Appl. No. 29/311,777, filed Jun. 17, 2009, Ujita, Tomy Company, Ltd.  
 U.S. Appl. No. 29/311,776, filed Jun. 17, 2009, Ujita, Tomy Company, Ltd.  
 U.S. Appl. No. 29/311,775, filed Jun. 17, 2009, Ujita, Tomy Company, Ltd.  
 U.S. Appl. No. 29/311,821, filed Jul. 2, 2009, Nishimoto, Tomy Company, Ltd.  
 Patent Abstract of China, Publication No. 201214014, Published Apr. 1, 2009.  
 Office Action mailed Nov. 27, 2009 in co-pending U.S. Des. Appl. No. 29/311,821.  
 Office Action mailed Nov. 27, 2009 in co-pending U.S. Des. Appl. No. 29/311,775.  
 Notice of Allowance mailed Nov. 30, 2009 in co-pending U.S. Des. Appl. No. 29/309,766.  
 Notice of Allowance mailed Dec. 1, 2009 in co-pending U.S. Des. Appl. No. 29/311,777.

\* cited by examiner

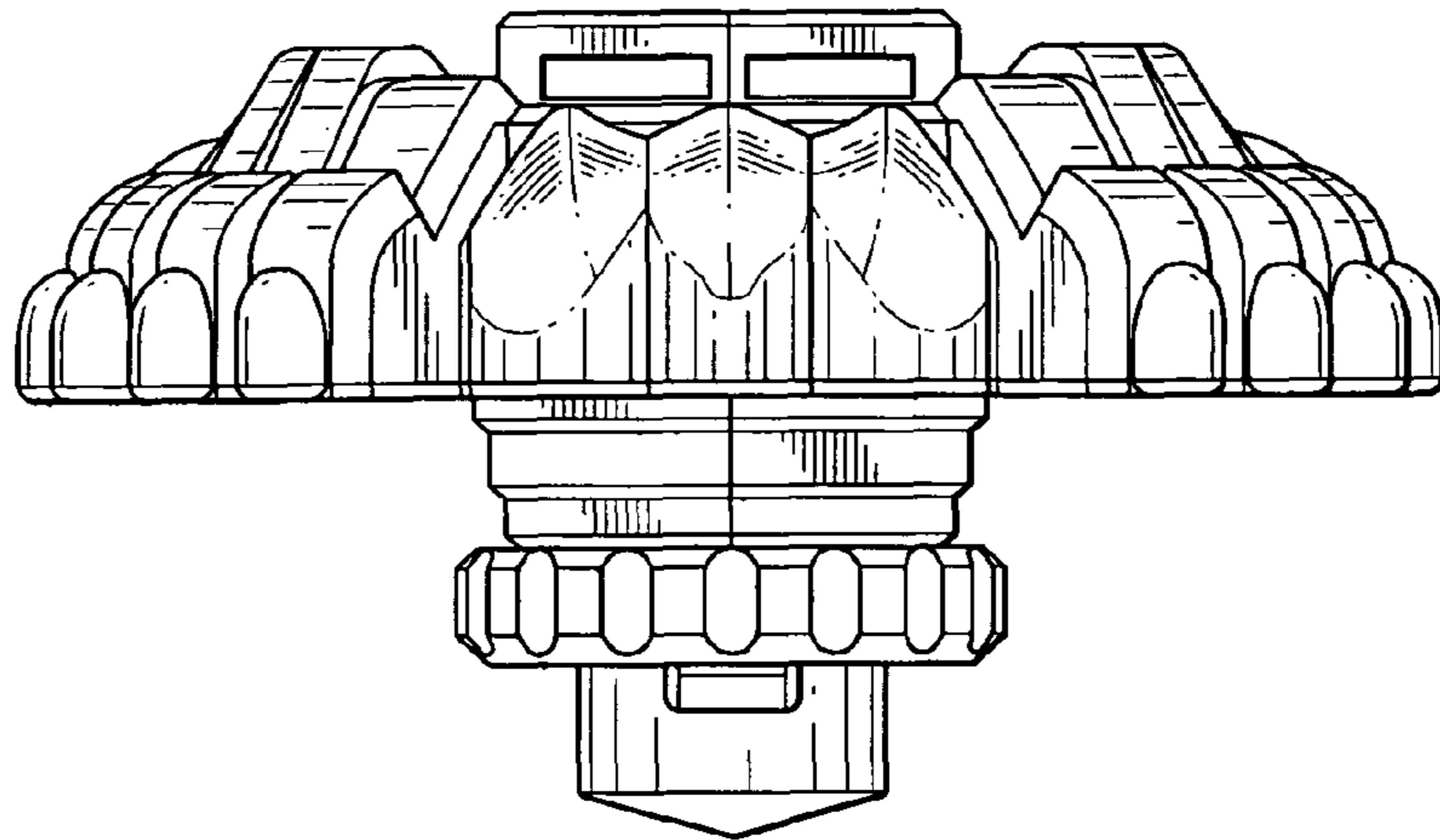


FIG. 1

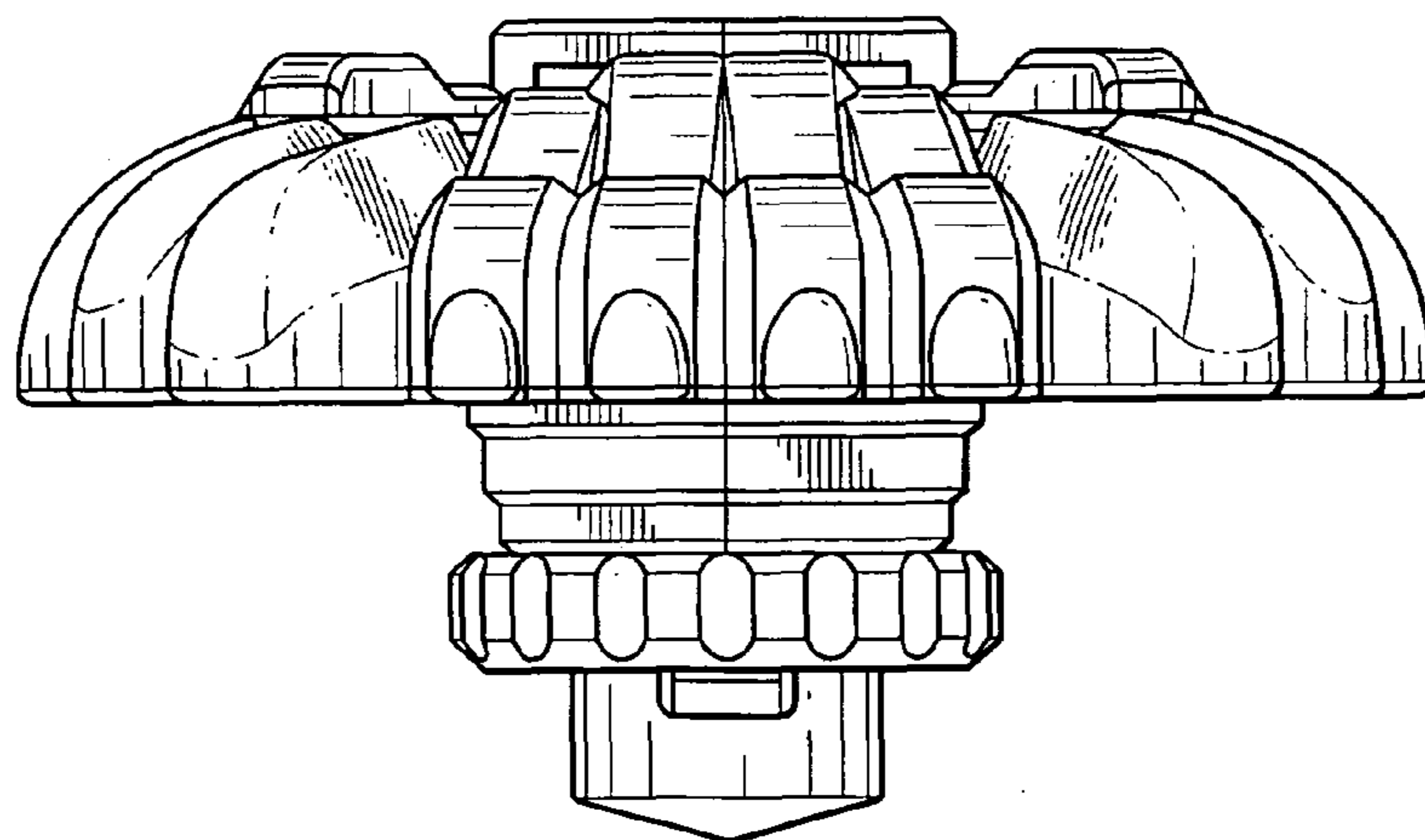


FIG. 2

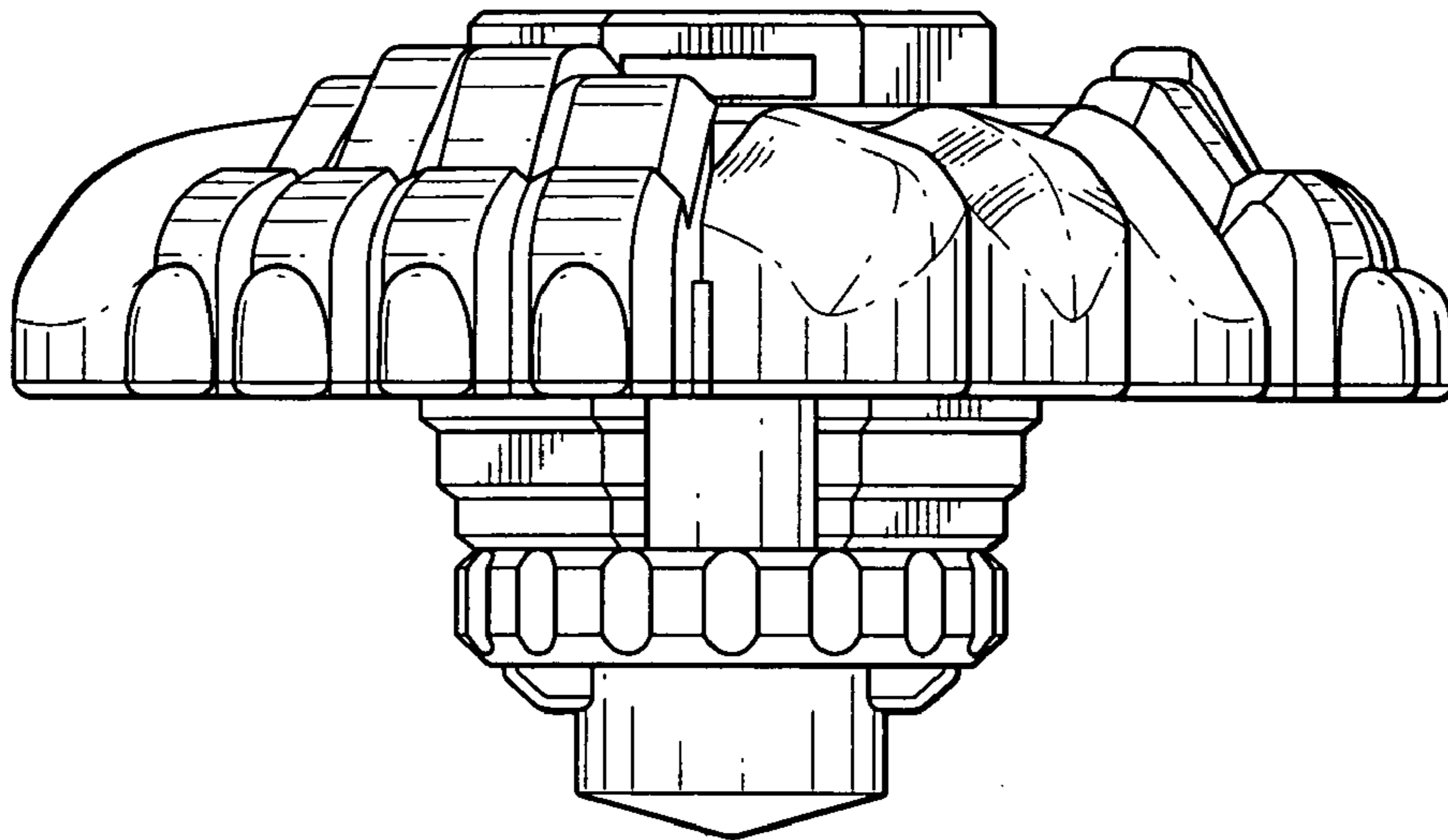


FIG. 3

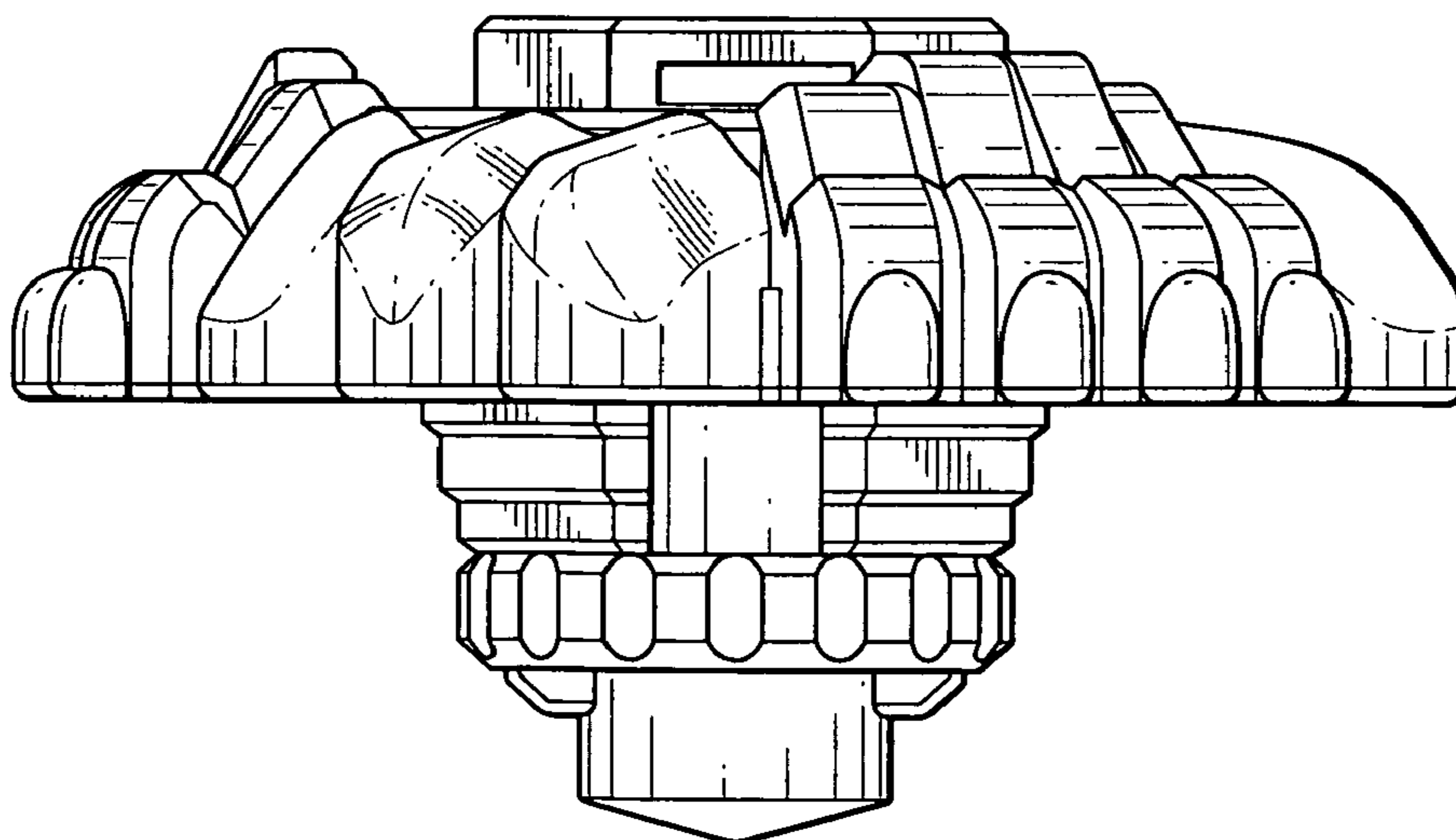


FIG. 4

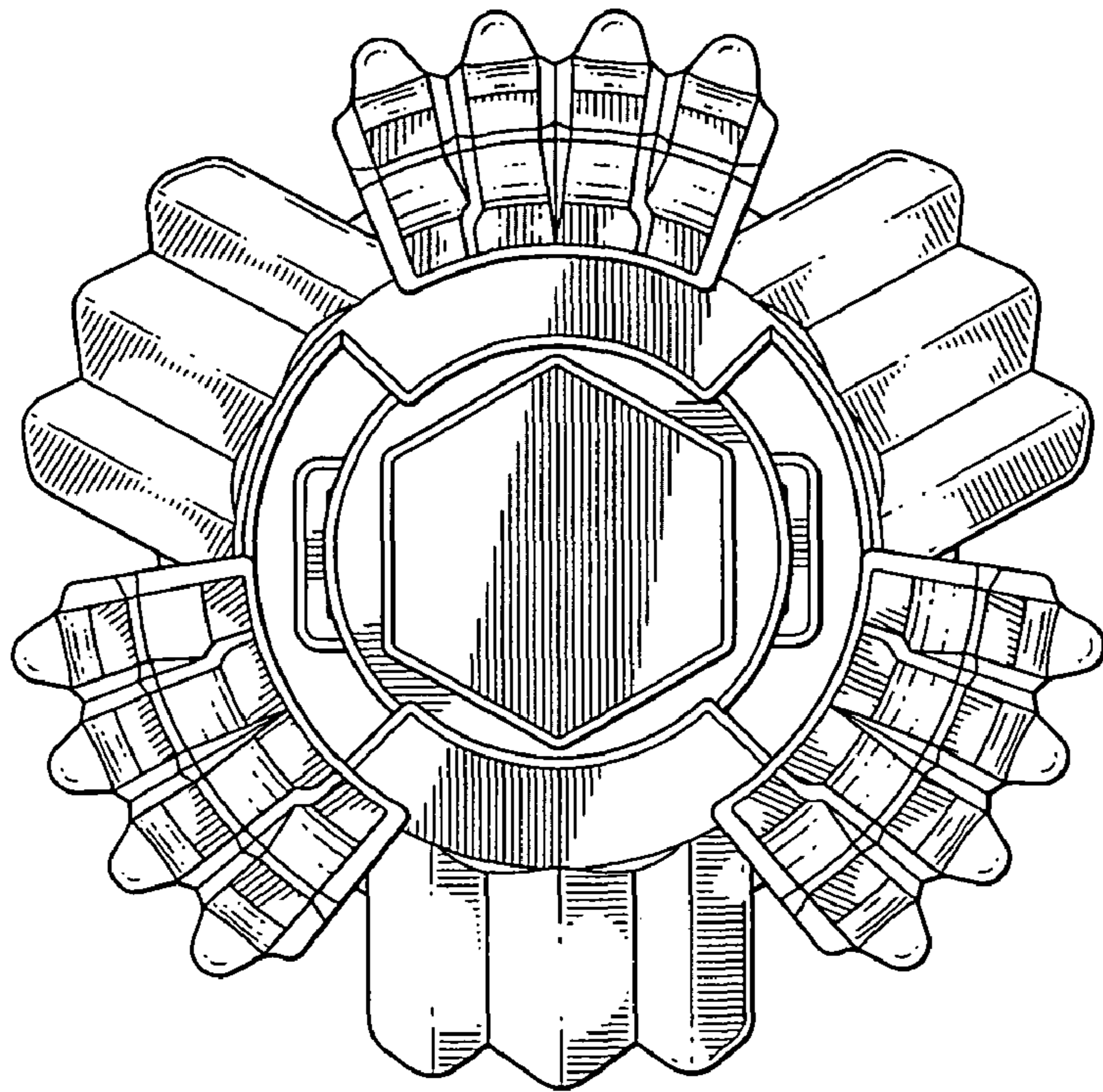


FIG. 5

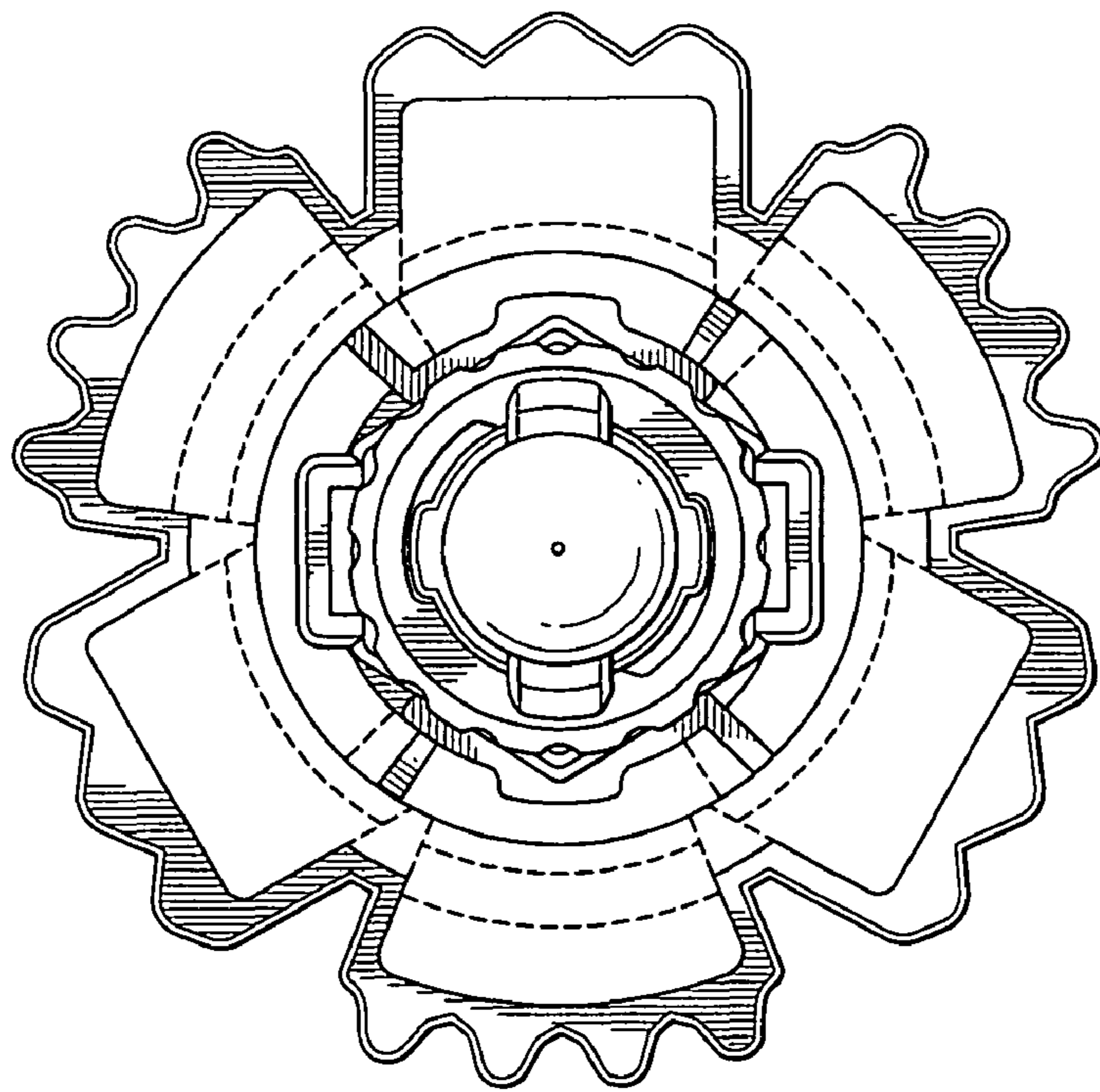


FIG. 6

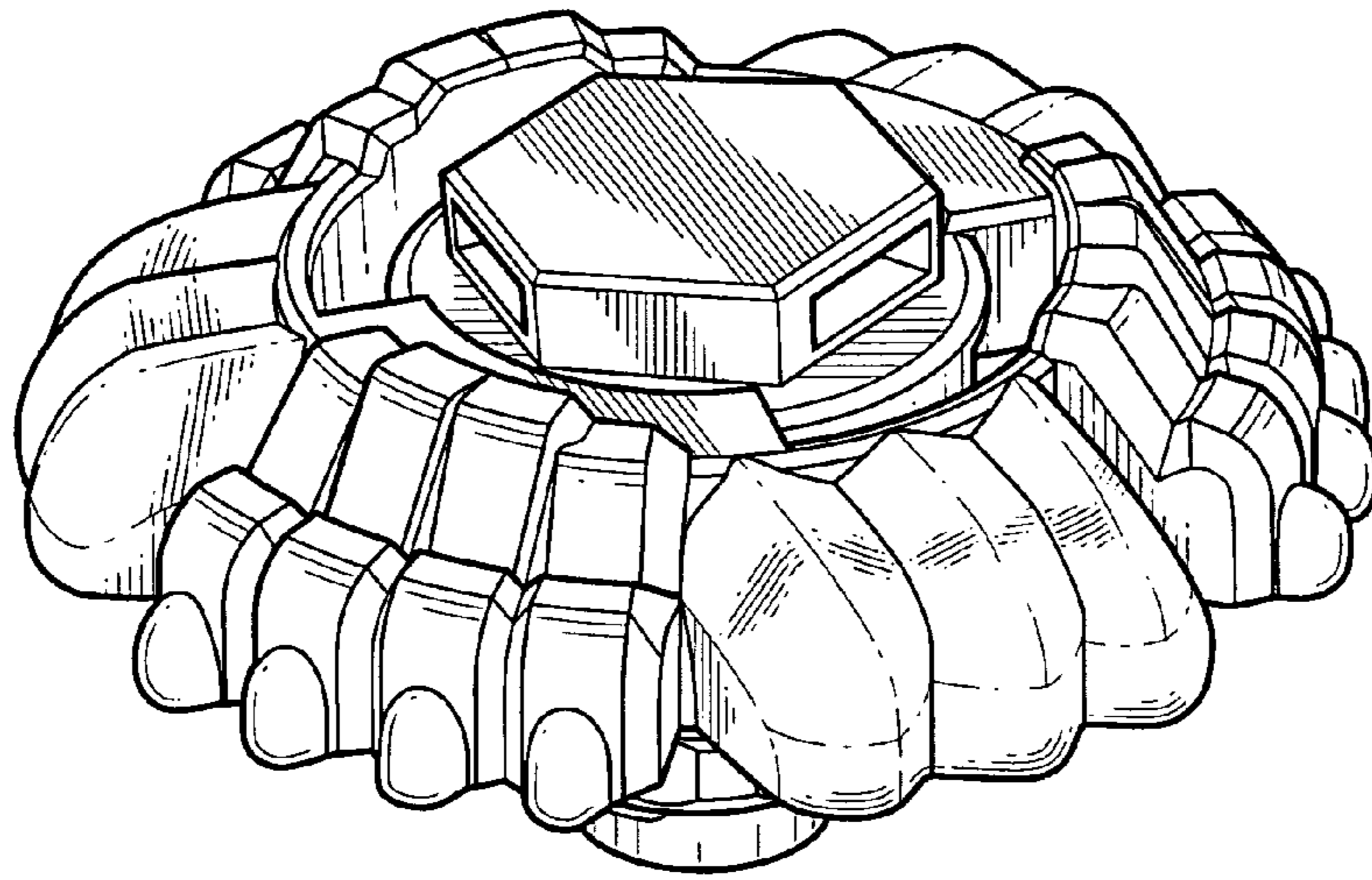


FIG. 7

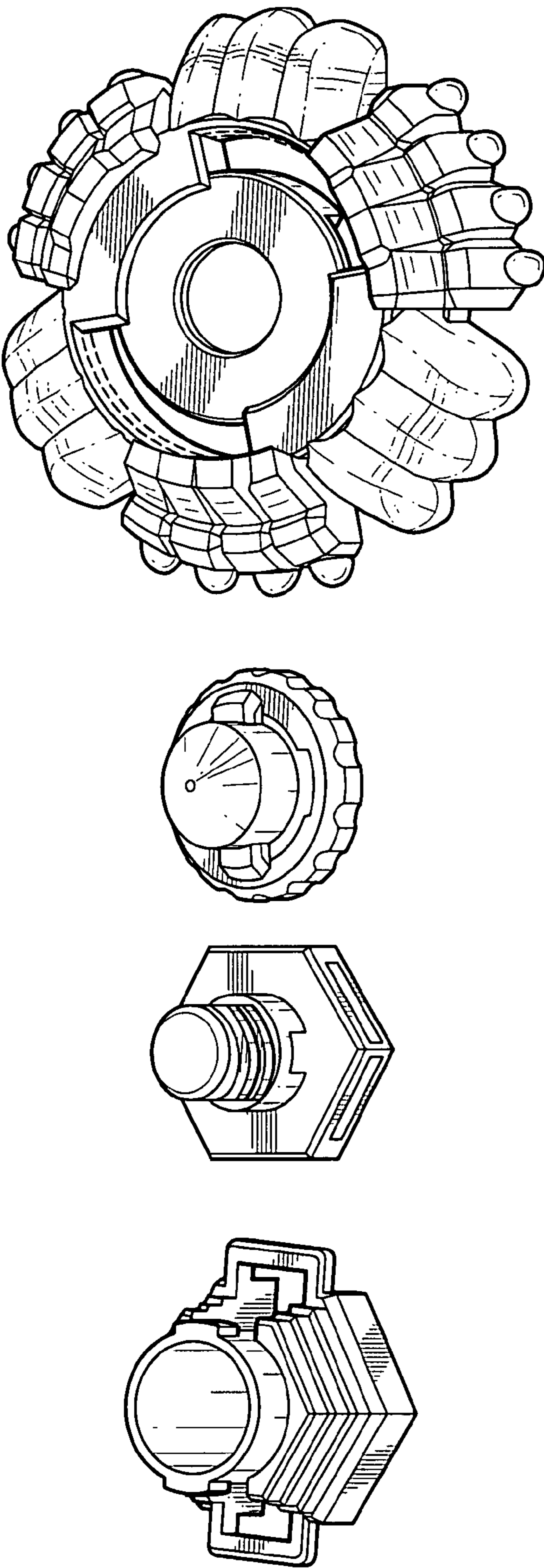


FIG. 8