



US00D615600S

(12) **United States Design Patent**
Scheper et al.

(10) **Patent No.:** **US D615,600 S**

(45) **Date of Patent:** **** May 11, 2010**

(54) **CARD DEALING DISPENSER**

6,299,536 B1 10/2001 Hill
6,346,044 B1 2/2002 McCrea, Jr.
6,460,848 B1 10/2002 Soltys et al.
6,517,435 B2 2/2003 Soltys et al.

(75) Inventors: **Paul K. Scheper**, Bloomington, MN
(US); **Attila Grauzer**, Las Vegas, NV
(US)

(73) Assignee: **Shuffle Master, Inc.**, Las Vegas, NV
(US)

(Continued)

(**) Term: **14 Years**

FOREIGN PATENT DOCUMENTS

(21) Appl. No.: **29/310,722**

WO WO 00/51076 8/2000

(22) Filed: **Sep. 5, 2008**

(51) **LOC (9) Cl.** **21-01**

Primary Examiner—Sandra Morris

(52) **U.S. Cl.** **D21/396**

(74) *Attorney, Agent, or Firm*—Mark A. Litman &
Associates, P.A.

(58) **Field of Classification Search** D21/369,
D21/385, 392–396; 273/148 R, 149 R–149 P
See application file for complete search history.

(57) **CLAIM**

(56) **References Cited**

The ornamental design of a card dealing dispenser, as shown
and described.

U.S. PATENT DOCUMENTS

- 3,929,339 A 12/1975 Mattioli
- 4,750,743 A 6/1988 Nicoletti
- 5,356,145 A 10/1994 Verschoor
- 5,374,061 A 12/1994 Albrecht
- 5,605,334 A 2/1997 McCrea, Jr.
- 5,669,816 A 9/1997 Garczynski et al.
- 5,683,085 A 11/1997 Johnson et al.
- 5,722,893 A 3/1998 Hill et al.
- 5,735,525 A 4/1998 McCrea, Jr.
- 5,779,546 A 7/1998 Meissner et al.
- 5,911,626 A 6/1999 McCrea, Jr.
- 5,941,769 A 8/1999 Order
- 5,989,122 A 11/1999 Roblejo
- 6,039,650 A 3/2000 Hill
- 6,093,103 A 7/2000 McCrea, Jr.
- 6,117,012 A 9/2000 McCrea, Jr.
- 6,126,166 A 10/2000 Lorson et al.
- 6,149,154 A 11/2000 Grauzer et al.
- 6,165,069 A 12/2000 Sines et al.
- 6,217,447 B1 4/2001 Lofink et al.
- 6,270,404 B2 8/2001 Sines et al.

DESCRIPTION

FIG. 1 is a perspective view of a card dealing dispenser from a rear to forward angle showing our new design.

FIG. 2 is a perspective view of a card dealing dispenser from a rear to forward angle showing our new design, with functional elements shadowed in FIG. 1 removed.

FIG. 3 is a left side view of a card dealing dispenser.

FIG. 4 is a top view of a card dealing dispenser.

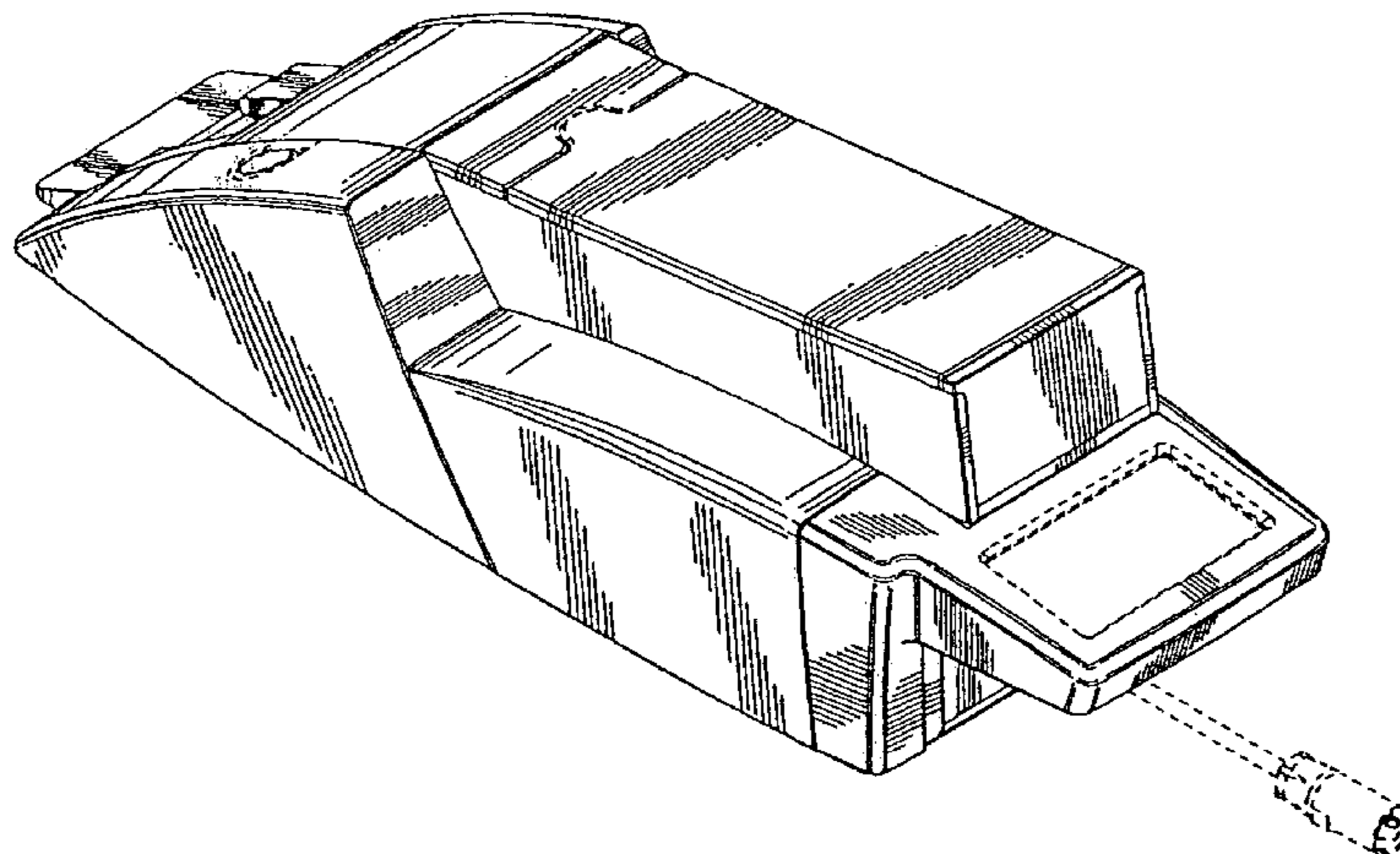
FIG. 5 is a bottom view of a card dealing dispenser.

FIG. 6 is a right side view of a card dealing dispenser.

FIG. 7 is a rear view of a card dealing dispenser; and,

FIG. 8 is a front view of a card dealing dispenser.

1 Claim, 8 Drawing Sheets



US D615,600 S

Page 2

U.S. PATENT DOCUMENTS

6,517,436 B2	2/2003	Soltys et al.	6,629,894 B1	10/2003	Purton
6,520,857 B2	2/2003	Soltys et al.	6,638,161 B2	10/2003	Soltys et al.
6,527,271 B2	3/2003	Soltys et al.	6,663,490 B2	12/2003	Soltys et al.
6,530,836 B2	3/2003	Soltys et al.	6,688,979 B2	2/2004	Soltys et al.
6,530,837 B2	3/2003	Soltys et al.	6,712,696 B2	3/2004	Soltys et al.
6,533,276 B2	3/2003	Soltys et al.	6,758,751 B2	7/2004	Soltys et al.
6,533,662 B2	3/2003	Soltys et al.	7,264,241 B2	9/2007	Schubert et al.
6,579,180 B2	6/2003	Soltys et al.	7,374,170 B2	5/2008	Grauzer et al.
6,579,181 B2	6/2003	Soltys et al.	2005/0242500 A1	11/2005	Downs, III
6,582,301 B2	6/2003	Hill	2006/0033270 A1	2/2006	Grauzer et al.
6,595,857 B2	7/2003	Soltys et al.	2006/0279040 A1	12/2006	Downs et al.
			2008/0006998 A1	1/2008	Grauzer et al.

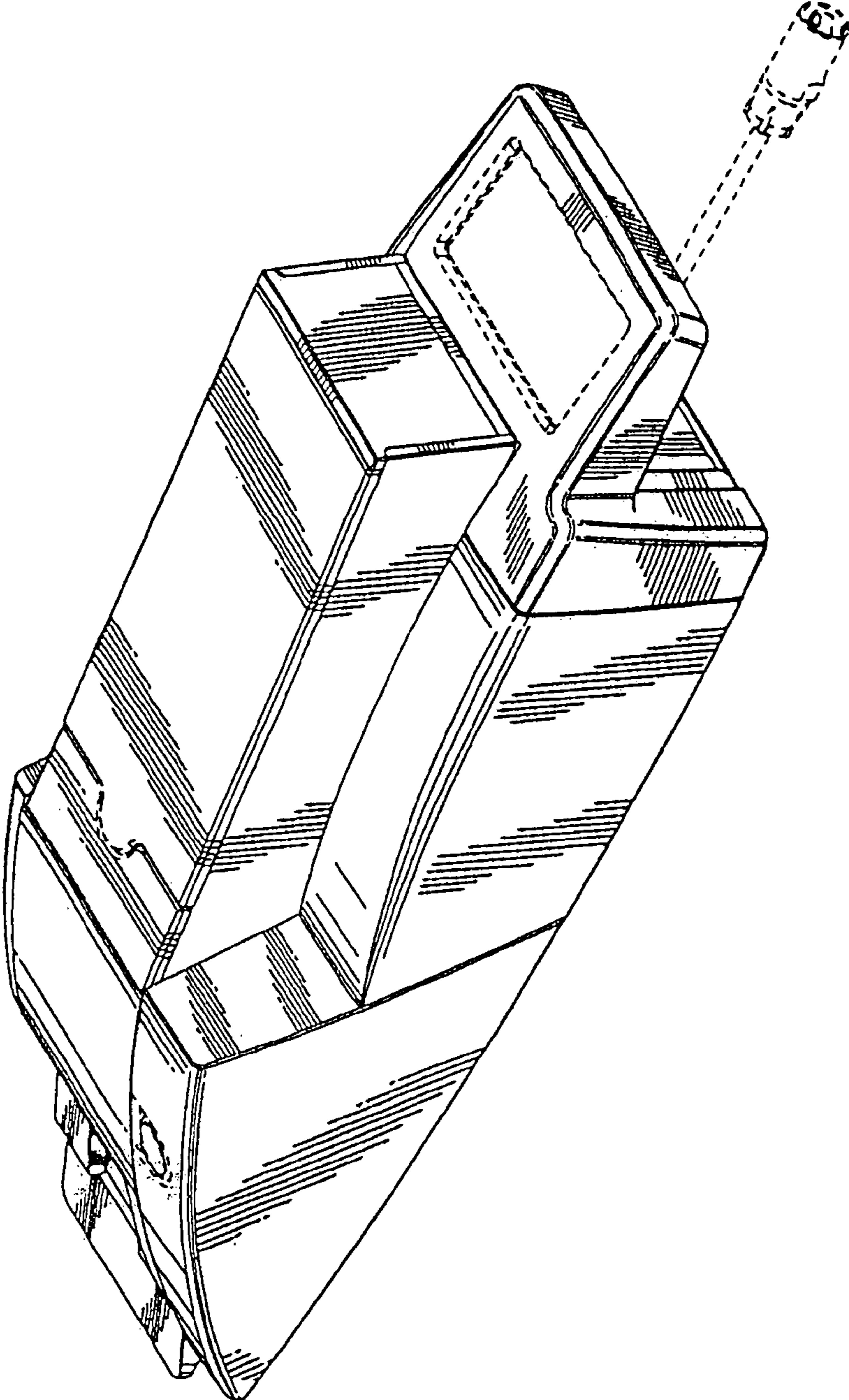


FIG. 1

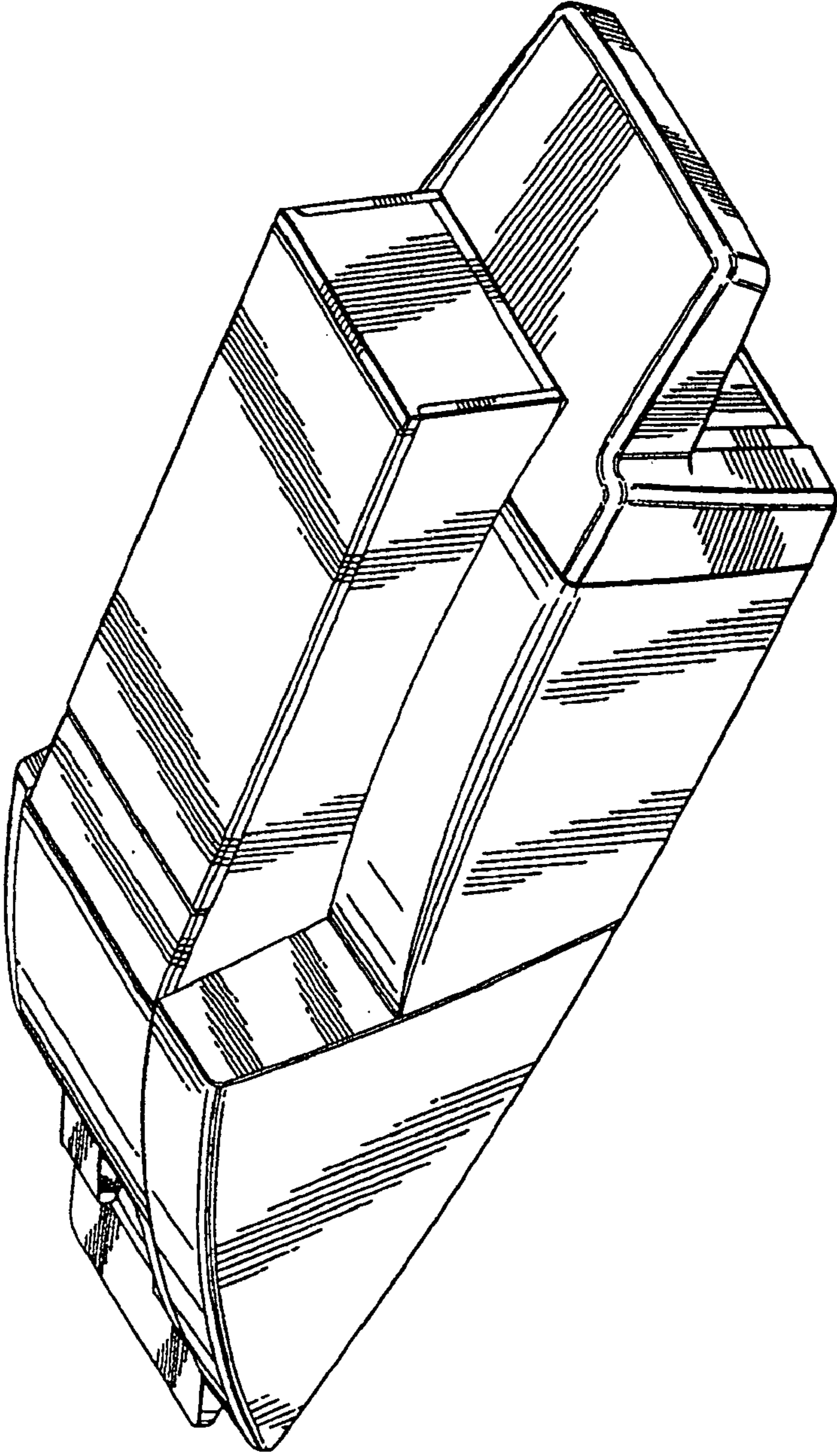


FIG. 2

FIG. 3

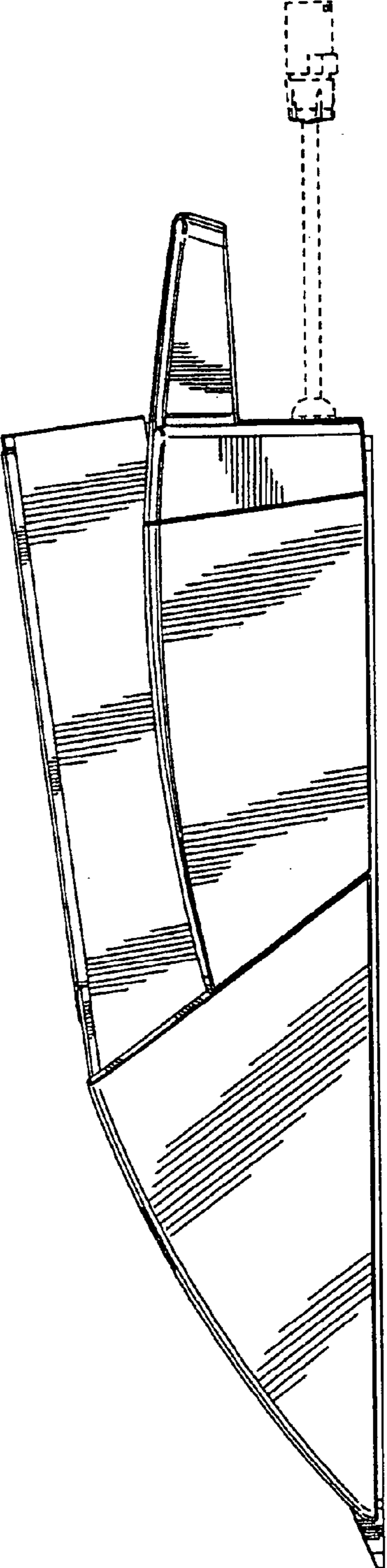


FIG. 4

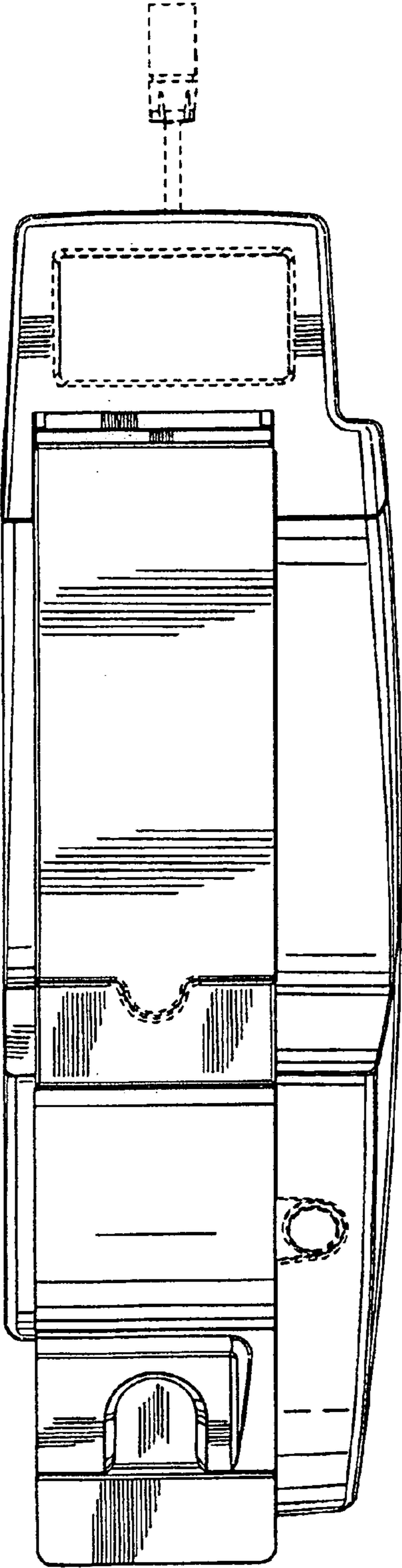


FIG. 5

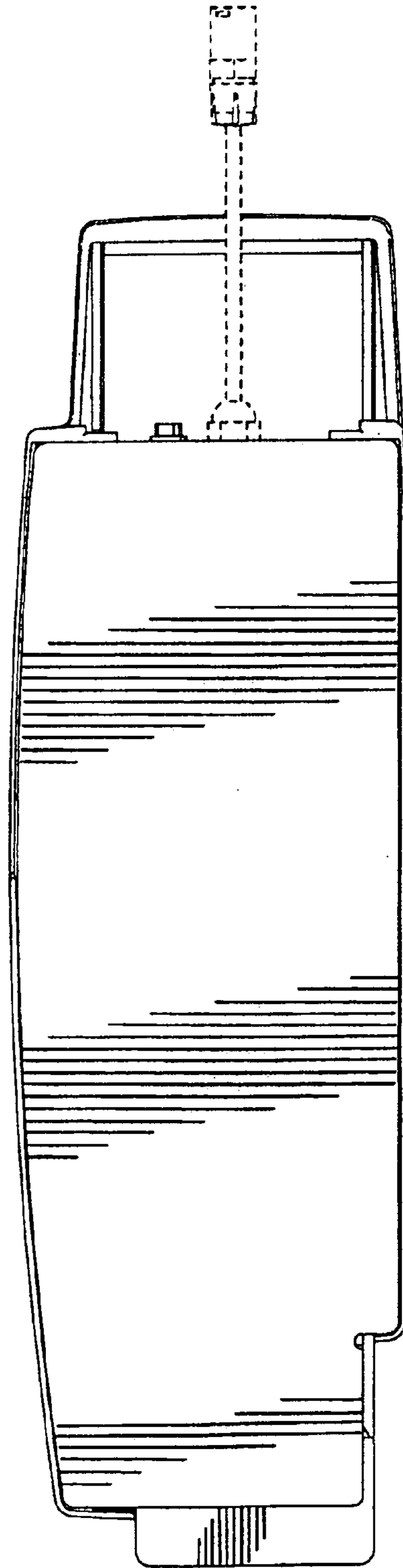
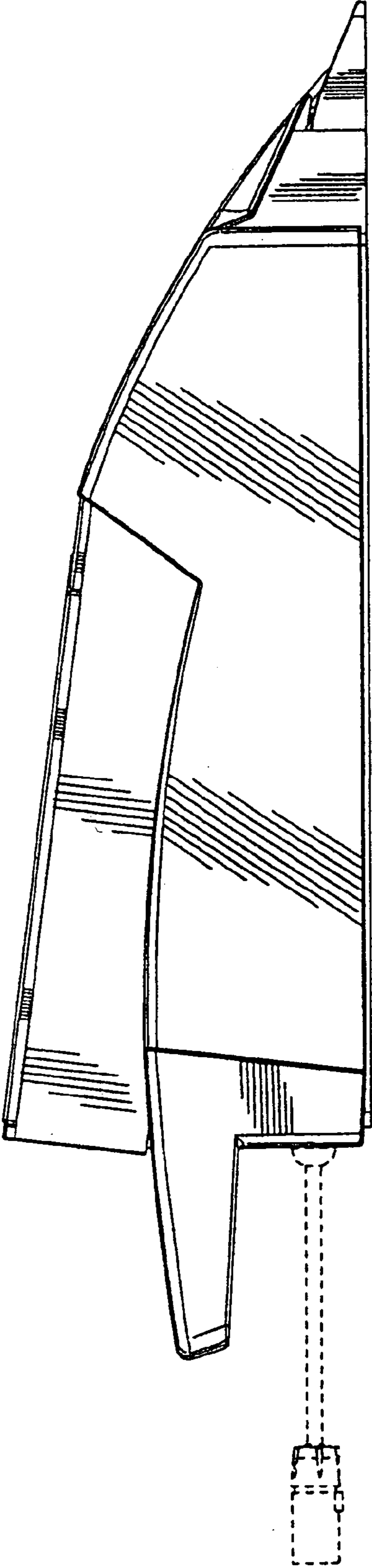


FIG. 6



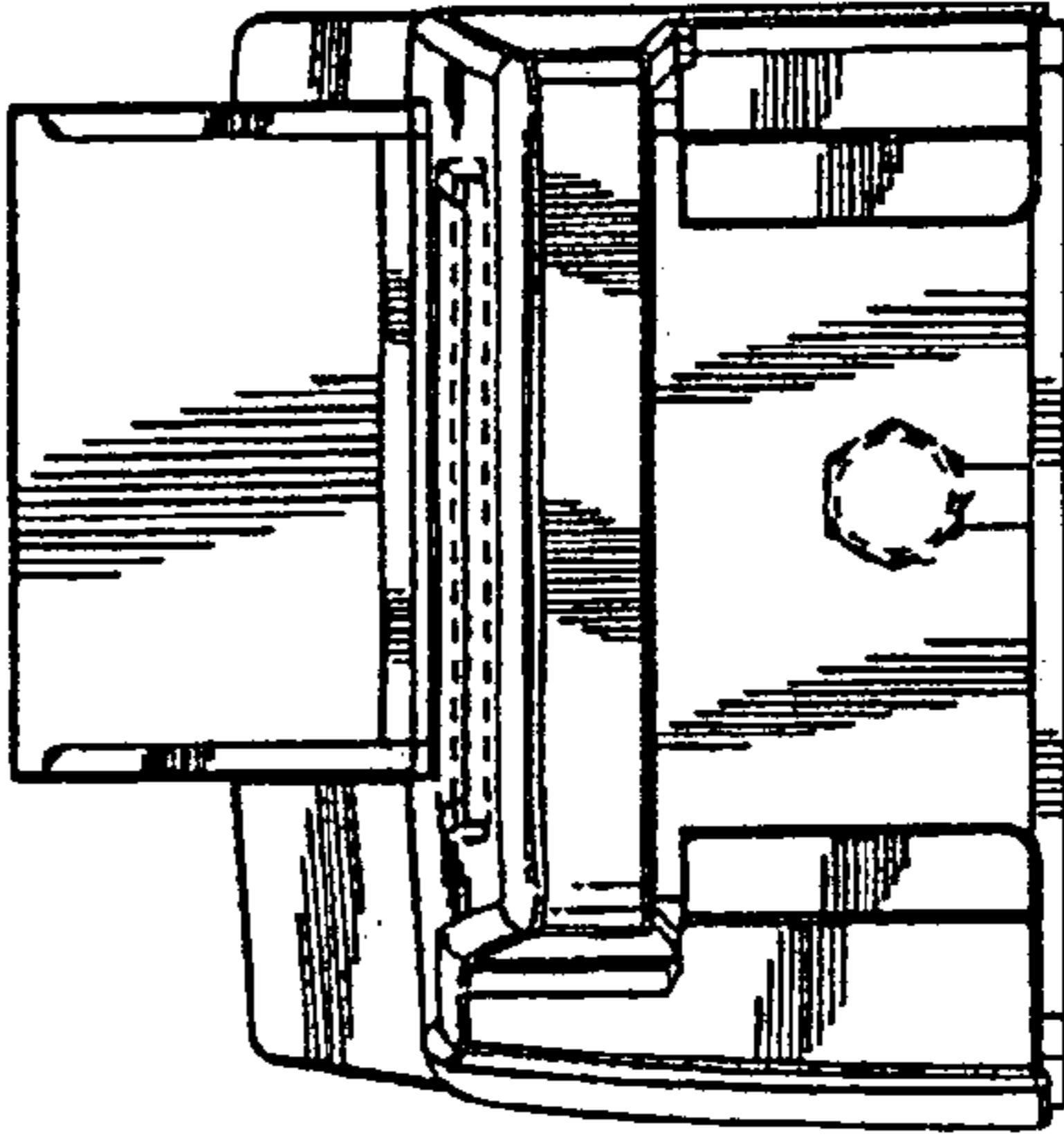


FIG. 7

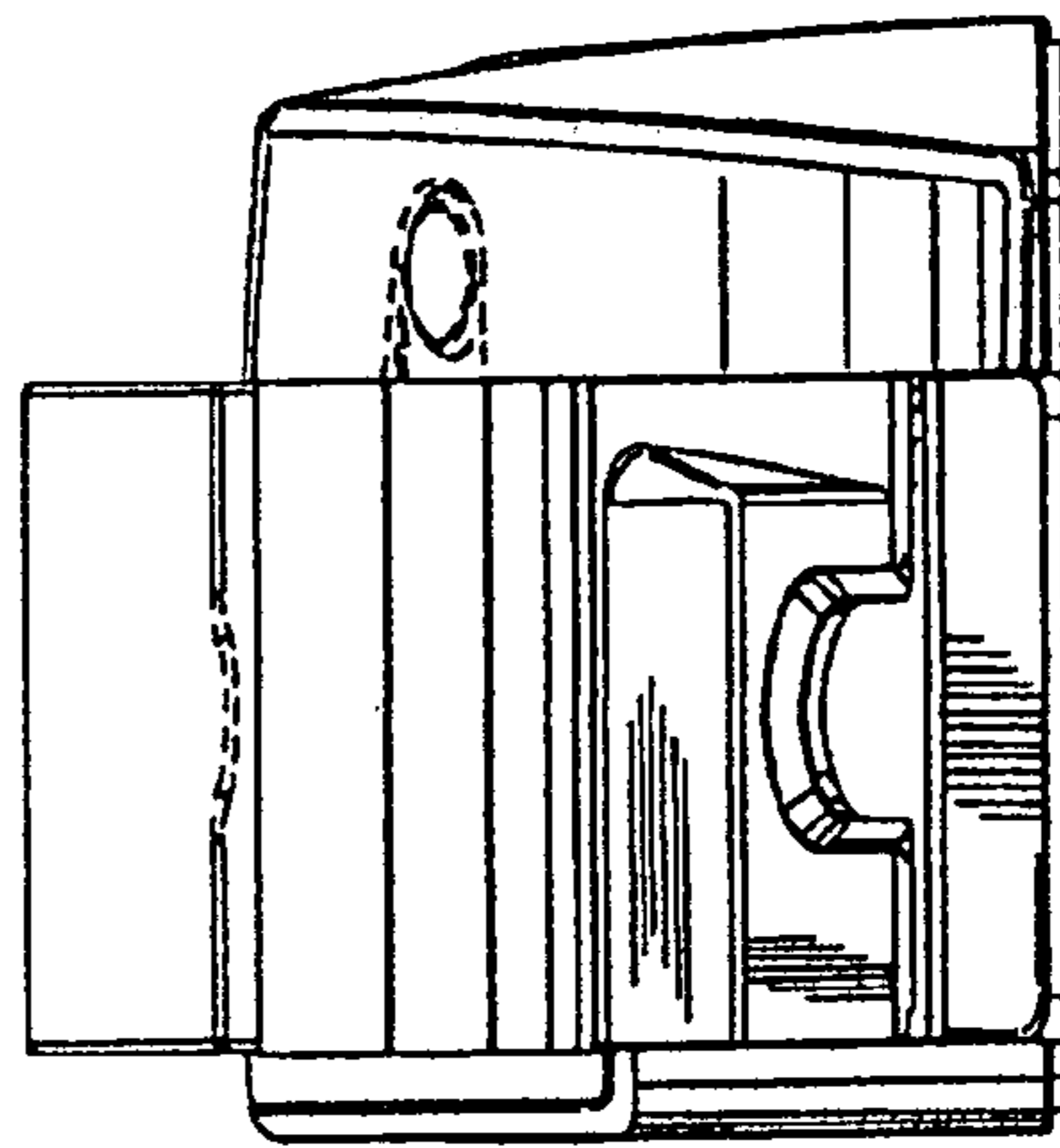


FIG. 8