



US00D615598S

(12) **United States Design Patent**
McComb et al.

(10) **Patent No.:** **US D615,598 S**
(45) **Date of Patent:** **** May 11, 2010**

(54) **GAMING MACHINE CABINET**

(75) Inventors: **Ryan D. McComb**, Grand Rapids, MI (US); **Orlando W. Stephenson, III**, Kentwood, MI (US)

(73) Assignee: **SPEC International, Inc.**, Grand Rapids, MI (US)

(**) Term: **14 Years**

(21) Appl. No.: **29/332,456**

(22) Filed: **Feb. 17, 2009**

(51) **LOC (9) Cl.** **21-03**

(52) **U.S. Cl.** **D21/370**

(58) **Field of Classification Search** D21/369–370, D21/385; 463/16–17, 20, 26, 46–47
See application file for complete search history.

(56) **References Cited**

U.S. PATENT DOCUMENTS

D495,755 S *	9/2004	Wurz et al.	D21/370
D508,961 S *	8/2005	Gatto et al.	D21/369
D539,854 S *	4/2007	Luciano et al.	D21/369
D563,481 S	3/2008	Looks et al.		
D573,200 S *	7/2008	Hashimoto et al.	D21/370
D578,169 S	10/2008	Looks et al.		
D586,866 S *	2/2009	Hsu	D21/370

D592,709 S 5/2009 McComb et al.
2005/0130746 A1 6/2005 Stephenson, III et al.
2007/0054742 A1 3/2007 McComb et al.
2008/0311987 A1* 12/2008 Hirato 463/46

* cited by examiner

Primary Examiner—Sandra Morris

(74) *Attorney, Agent, or Firm*—Price, Heneveld, Cooper, DeWitt & Litton, LLP

(57) **CLAIM**

The ornamental design for a gaming machine cabinet, as shown and described.

DESCRIPTION

FIG. 1 is an isometric view of a gaming machine cabinet, showing our new design;

FIG. 2 is a front elevational view;

FIG. 3 is a left-hand side elevational view;

FIG. 4 is a right-hand side elevational view;

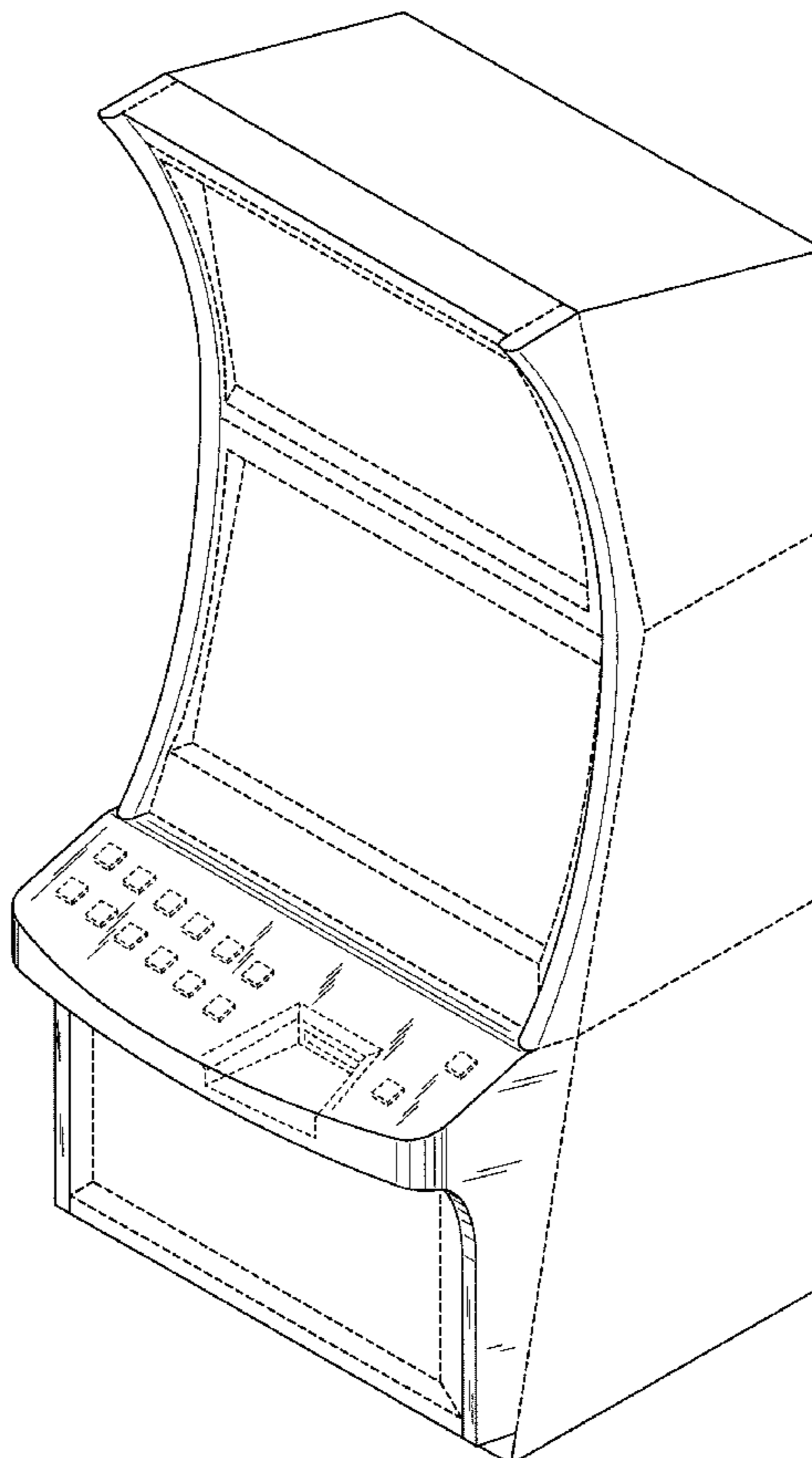
FIG. 5 is a top plan view;

FIG. 6 is a rear elevational view; and,

FIG. 7 is a bottom plan view.

The dashed lines in the figures show the environment of the present design and are not part of the present design.

1 Claim, 7 Drawing Sheets



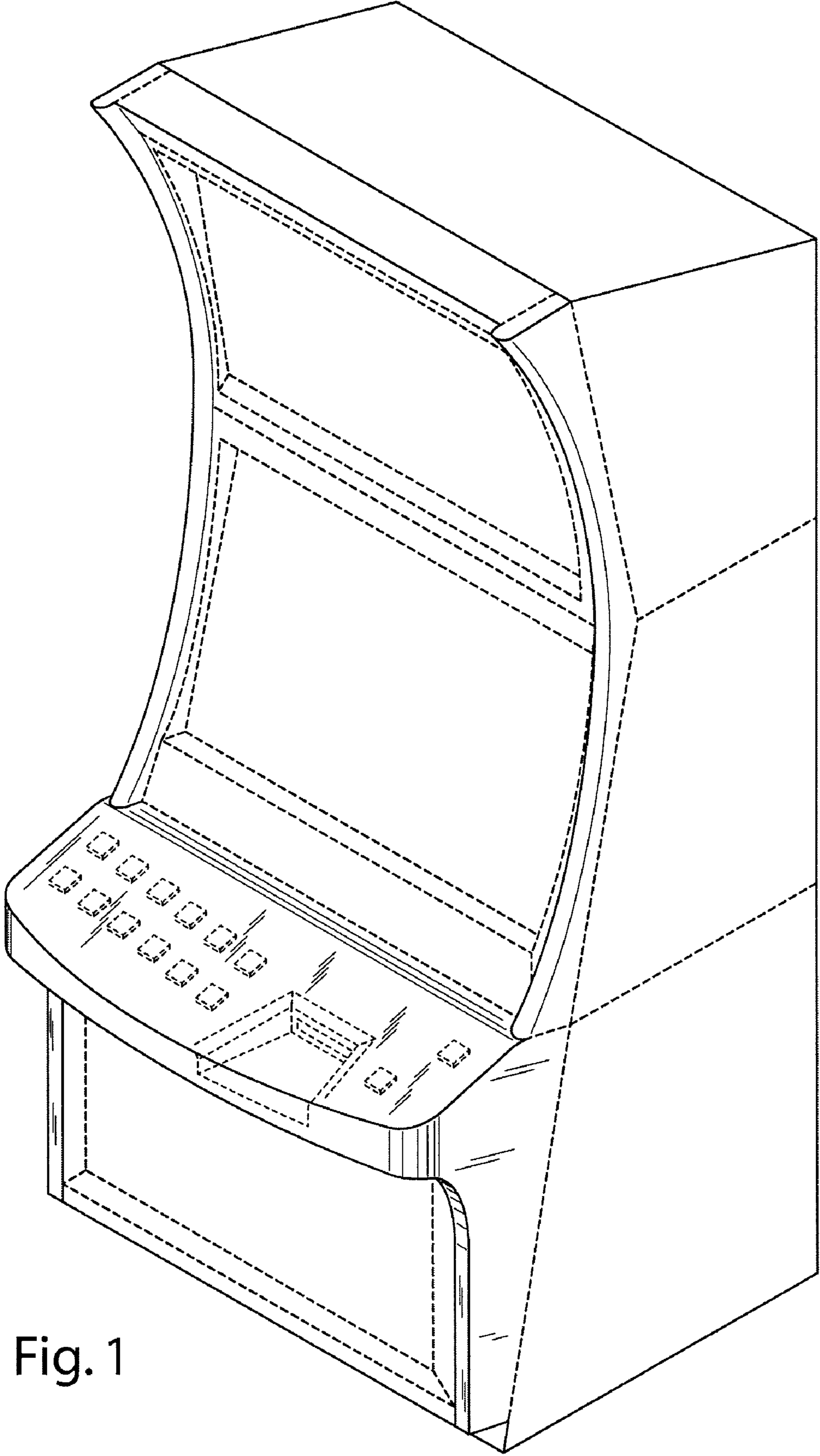
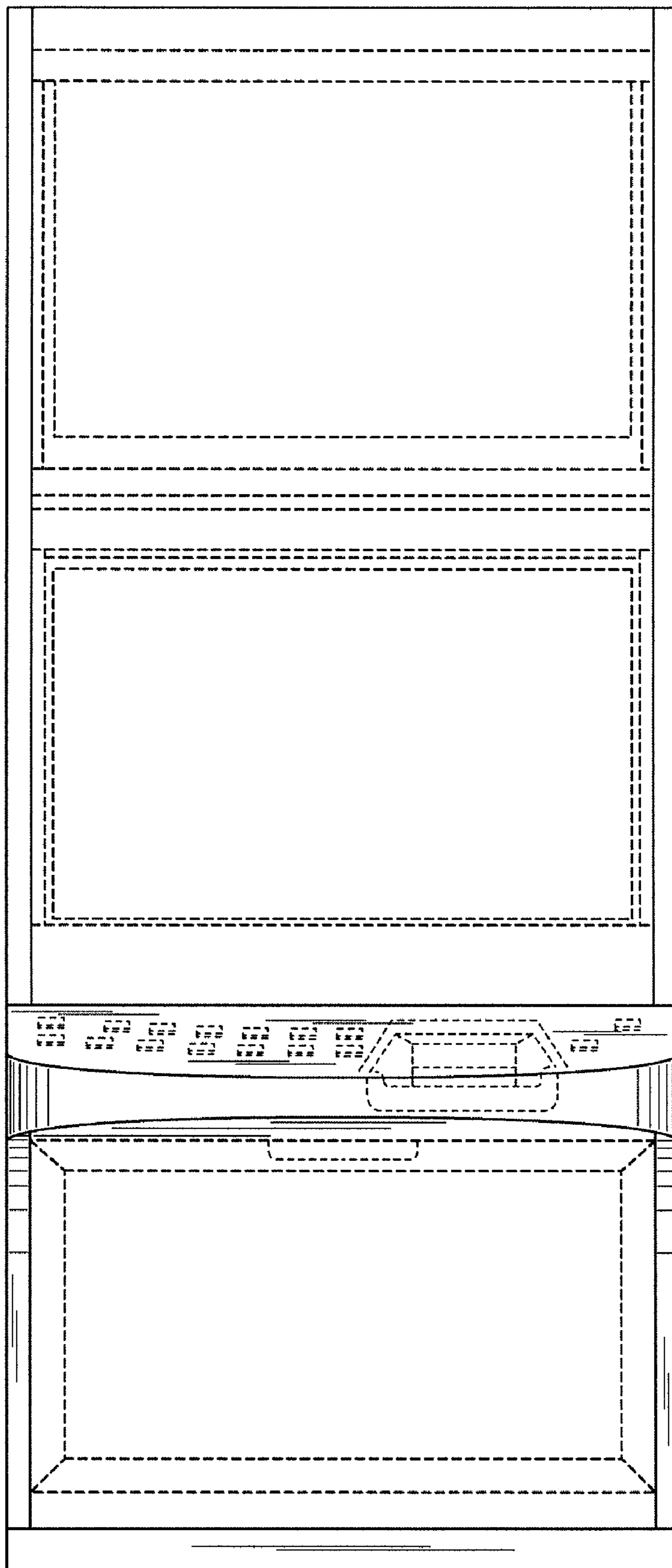
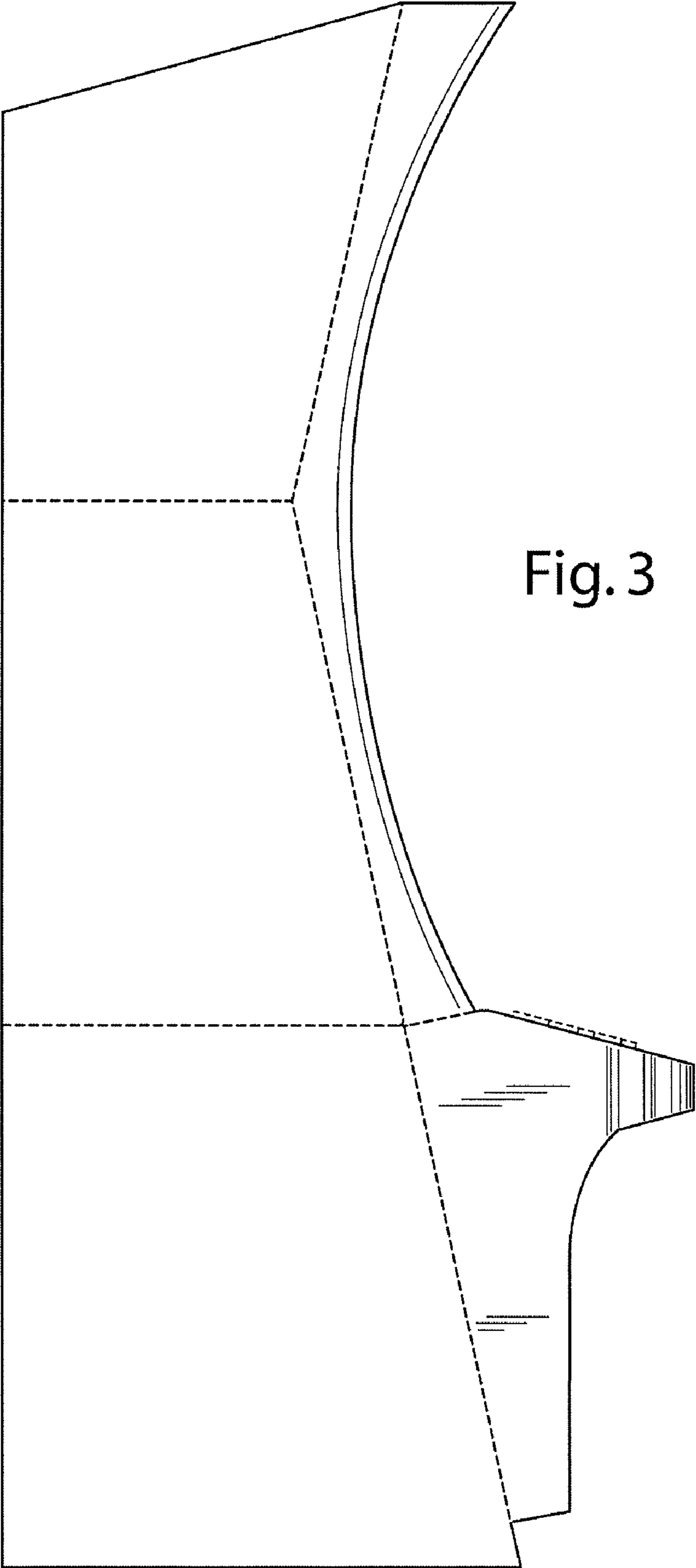


Fig. 1

Fig. 2





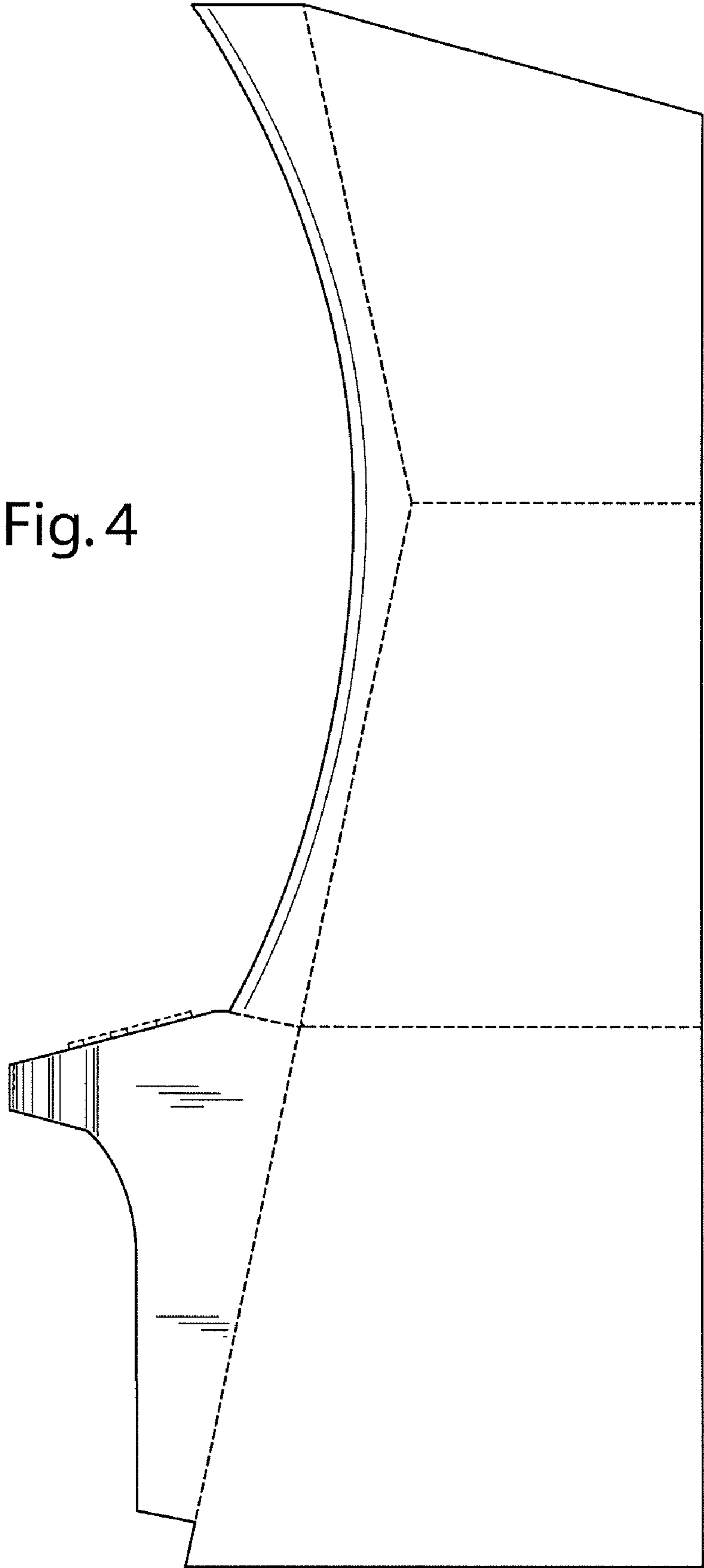


Fig. 4

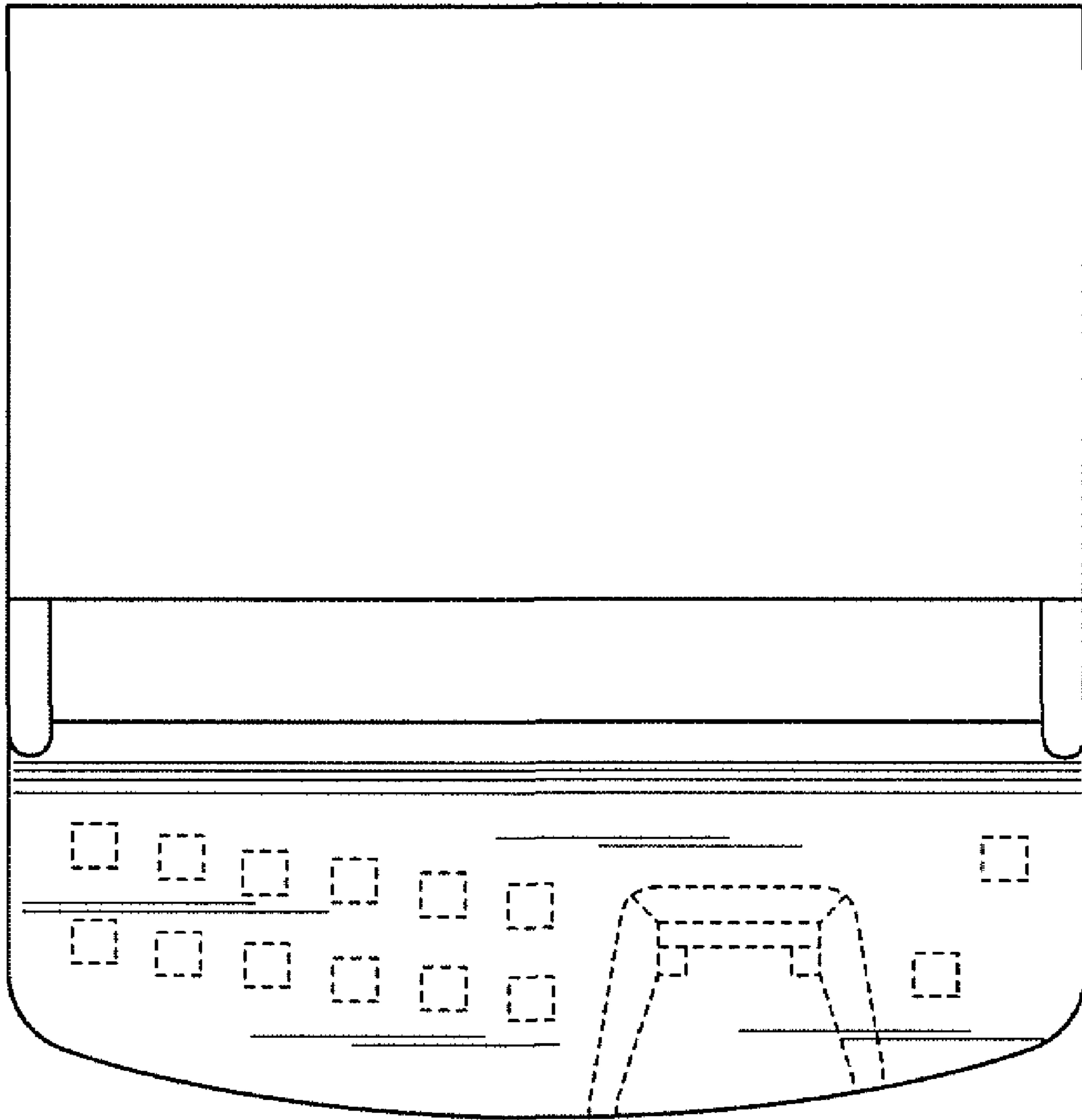


Fig. 5

Fig. 6

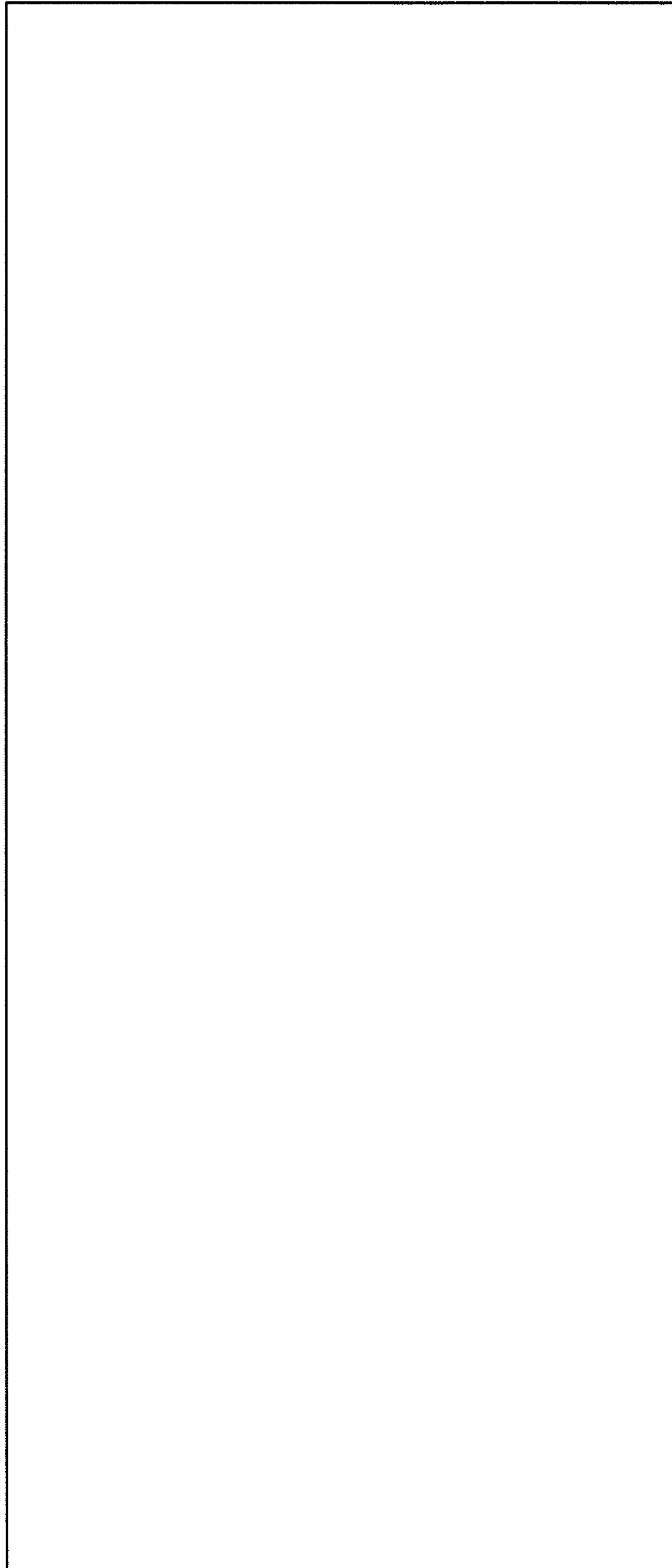


Fig. 7

