



US00D615595S

(12) **United States Design Patent**
Williamson et al.

(10) **Patent No.:** **US D615,595 S**
(45) **Date of Patent:** **** May 11, 2010**

(54) **DISC JOCKEY VIDEO GAME CONTROLLER**

(75) Inventors: **Paul Williamson**, Providence, RI (US);
Jonathan Hayes, Boston, MA (US)

(73) Assignee: **Numark Industries, LP**, Fort
Lauderdale, FL (US)

(**) Term: **14 Years**

(21) Appl. No.: **29/331,091**

(22) Filed: **Jan. 20, 2009**

(51) **LOC (9) Cl.** **21-01**

(52) **U.S. Cl.** **D21/328; D21/324; D21/333;**
D14/496

(58) **Field of Classification Search** D14/496,
D14/401, 435, 474, 483, 217, 137, 138, 160,
D14/168, 356, 203.1–203.8, 507; 345/156,
345/169, 173–179, 905; 715/727–729, 864;
710/1, 5, 8; 713/1, 600; 455/1.1, 1.7, 73,
455/344–347, 93, 95, 3.01–3.06, 550.1, 573.1;
370/342–344; 369/1, 2, 6–12; 463/43–47,
463/29–35; 273/148 B; D21/324–333
See application file for complete search history.

(56) **References Cited**

U.S. PATENT DOCUMENTS

5,213,327	A *	5/1993	Kitaue	463/38
6,743,104	B1 *	6/2004	Ota et al.	463/44
6,769,603	B2 *	8/2004	Nagai et al.	235/375
D497,522	S *	10/2004	Reichenbach et al.	D7/649
D546,396	S *	7/2007	Matsuno	D21/324
D565,122	S *	3/2008	Nishizawa et al.	D21/329
D577,039	S *	9/2008	Shin et al.	D14/496
D580,456	S *	11/2008	Oh et al.	D14/496

D581,988	S *	12/2008	Hall et al.	D21/329
D587,280	S *	2/2009	Lee et al.	D14/496
2004/0014486	A1 *	1/2004	Carlton et al.	455/550.1
2009/0013274	A1 *	1/2009	Haghanegi	715/764
2009/0227284	A1 *	9/2009	Jones	455/556.1

* cited by examiner

Primary Examiner—Prabhakar Deshmukh

(74) *Attorney, Agent, or Firm*—Barlow, Josephs & Holmes,
Ltd.

(57) **CLAIM**

The ornamental design for a disc jockey video game controller, as shown and described.

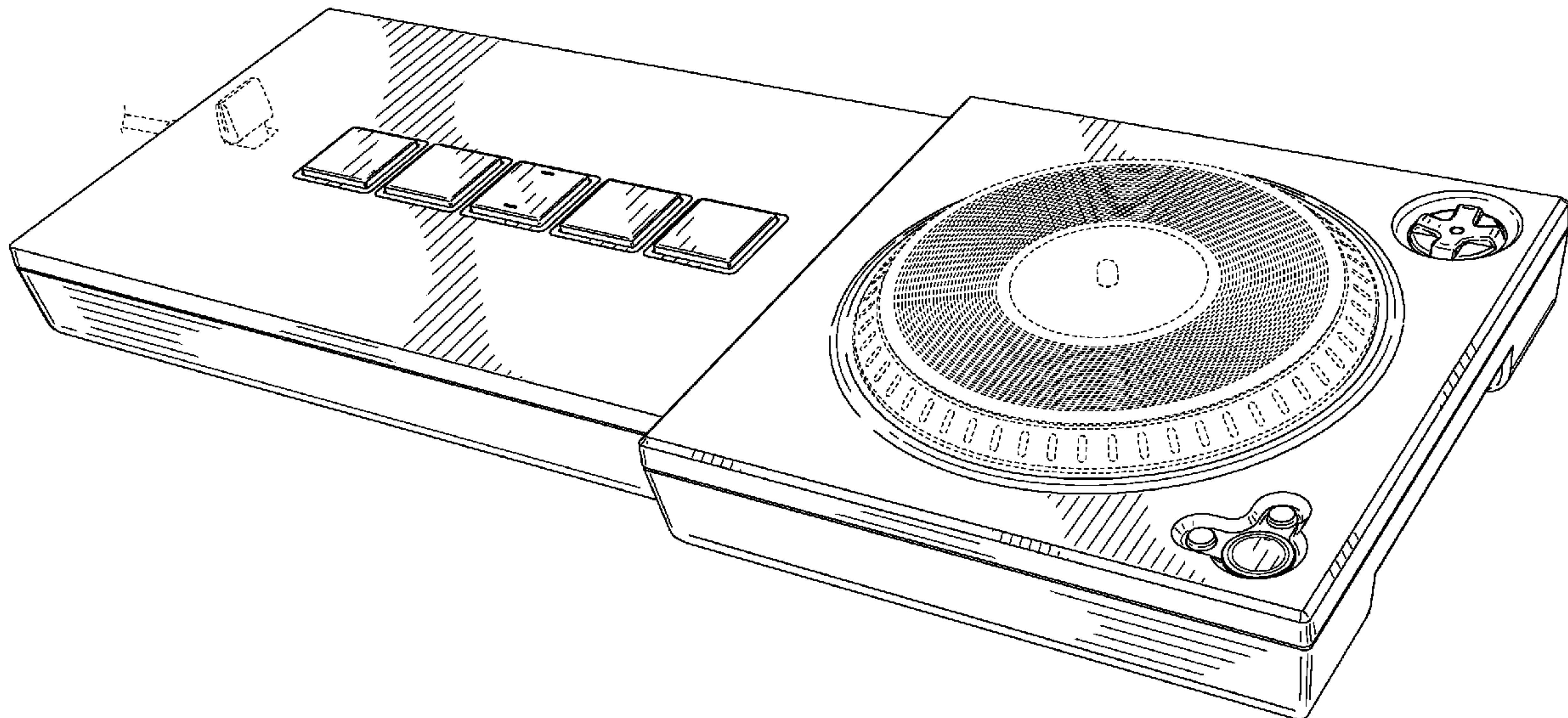
DESCRIPTION

FIG. 1 is a perspective view of a disc jockey video game controller showing our new design;
FIG. 2 is a bottom perspective view thereof;
FIG. 3 is a top view thereof;
FIG. 4 is a bottom view thereof;
FIG. 5 is a front view thereof;
FIG. 6 is a rear view thereof;
FIG. 7 is a right side view thereof; and,
FIG. 8 is a left side view thereof.

The elements depicted in broken lines in the various figures are included for environmental purposes only, and form no part of the claimed design.

The broken lines environment is for illustrative purpose and forms no part of the claimed design.

1 Claim, 7 Drawing Sheets



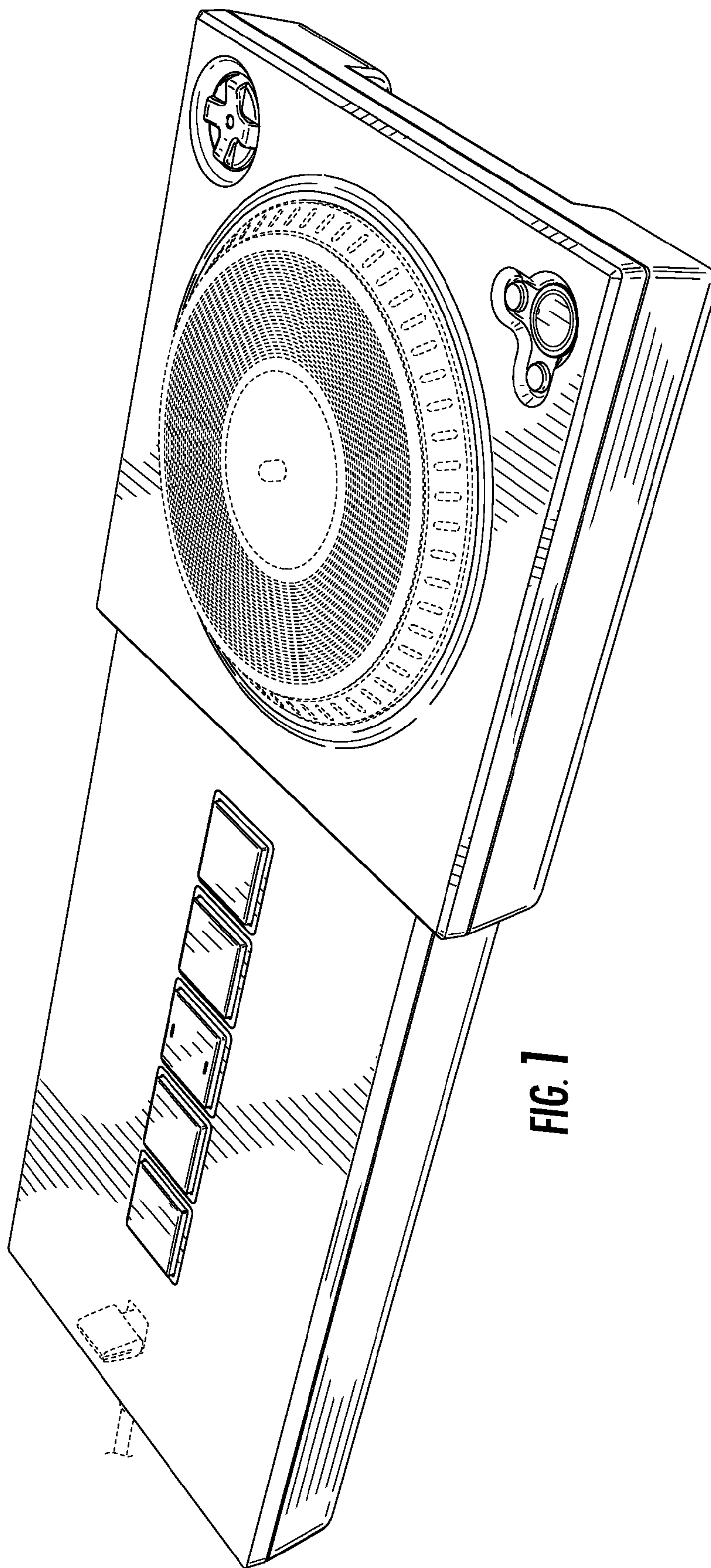


FIG. 1

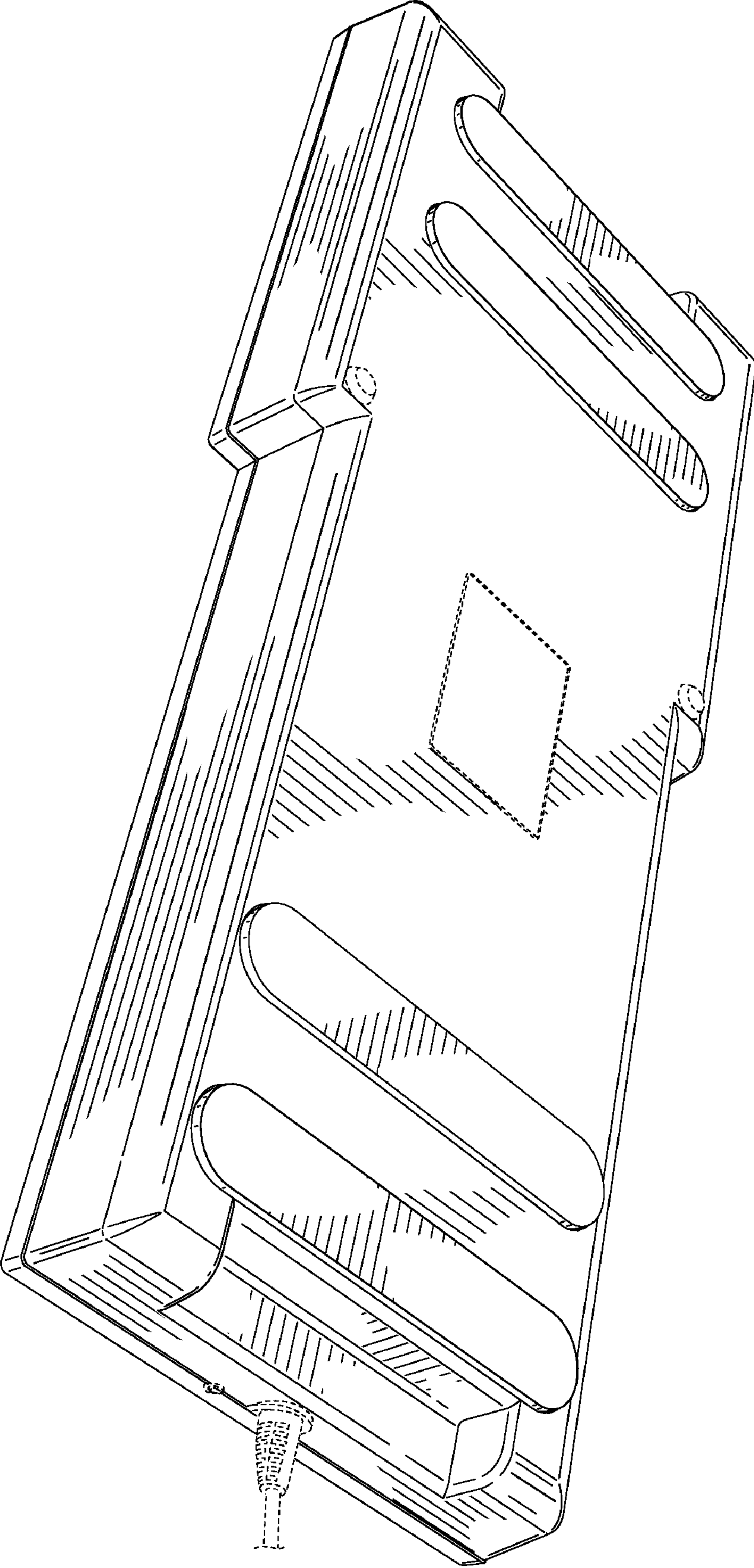


FIG. 2

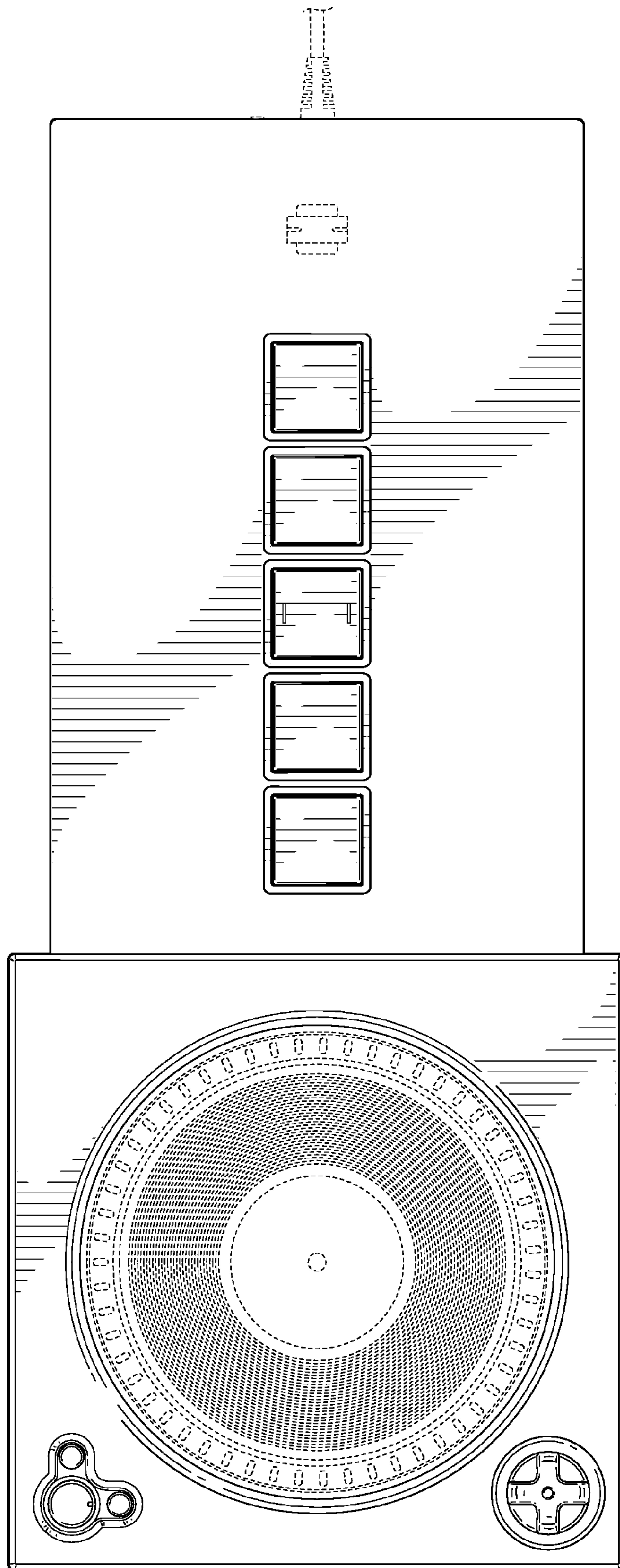


FIG. 3

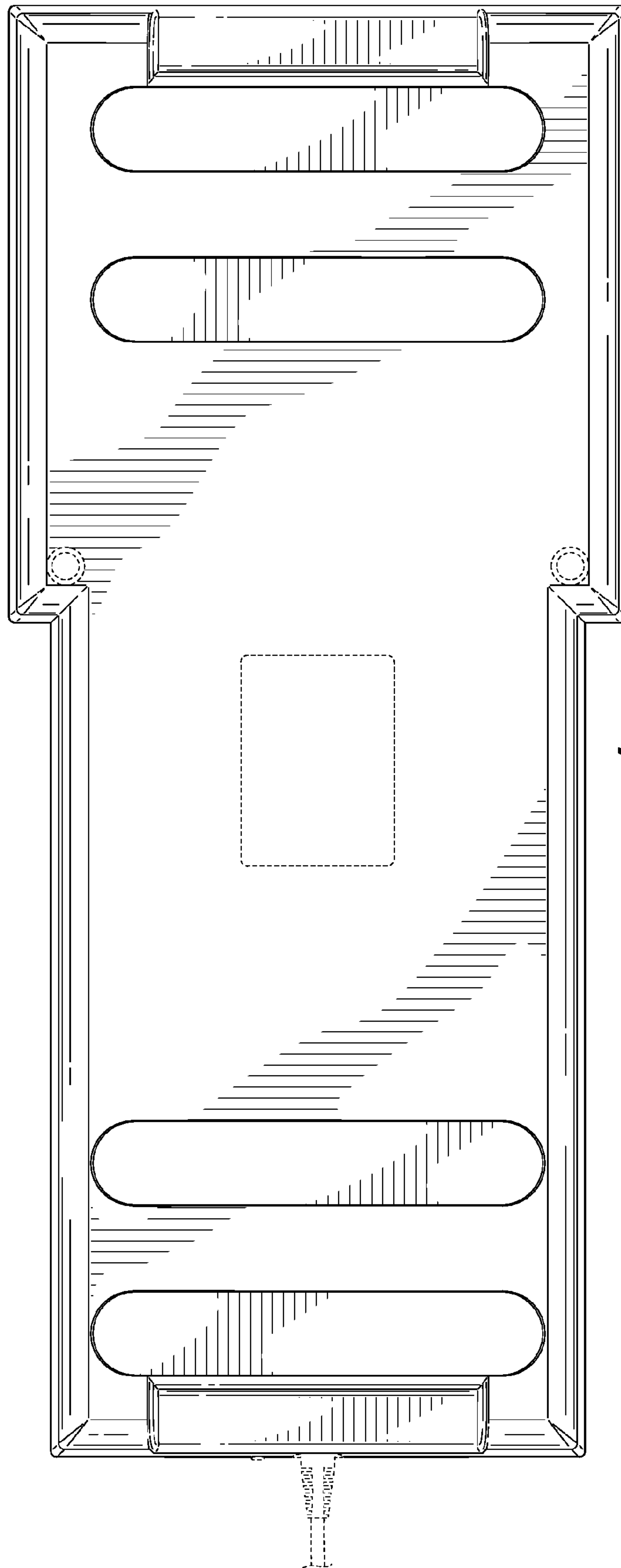


FIG. 4

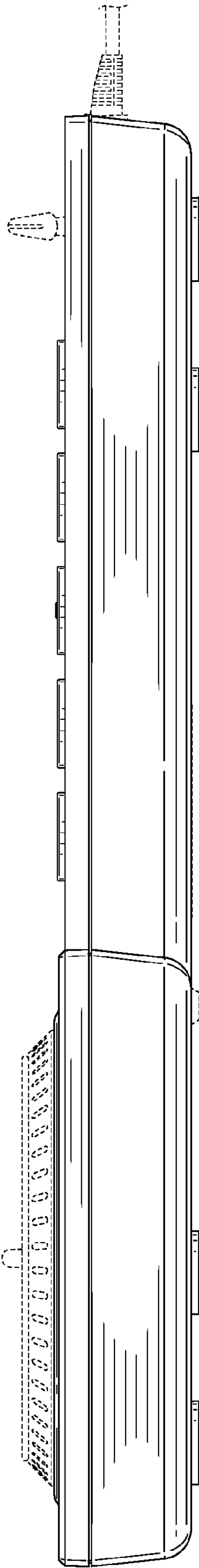


FIG. 5

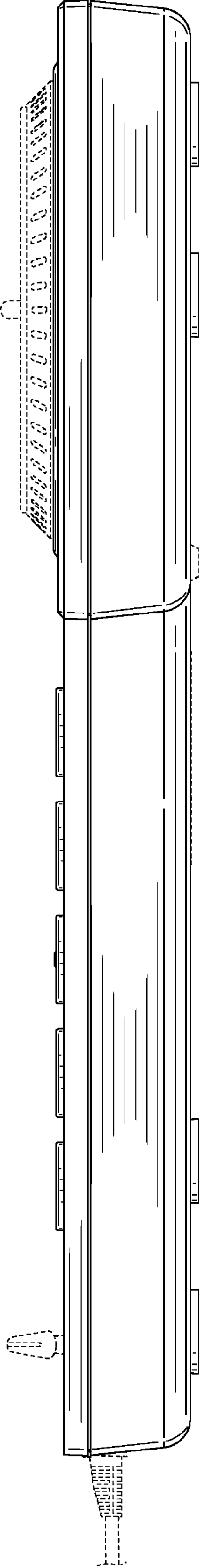


FIG. 6

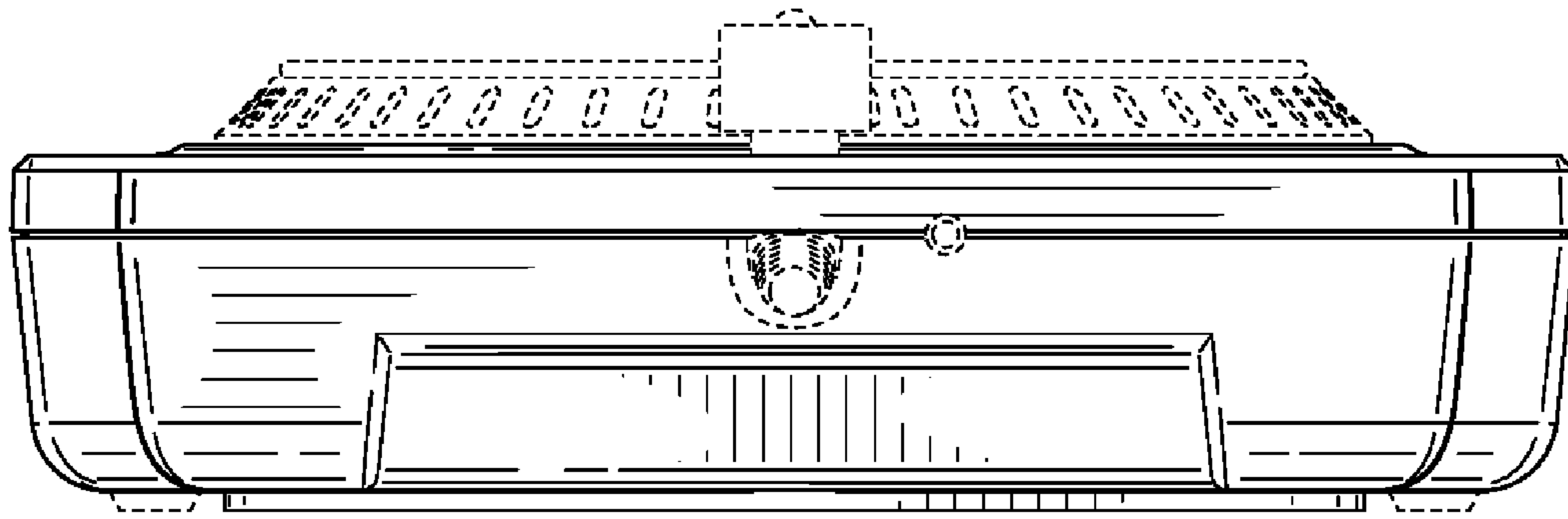


FIG. 7

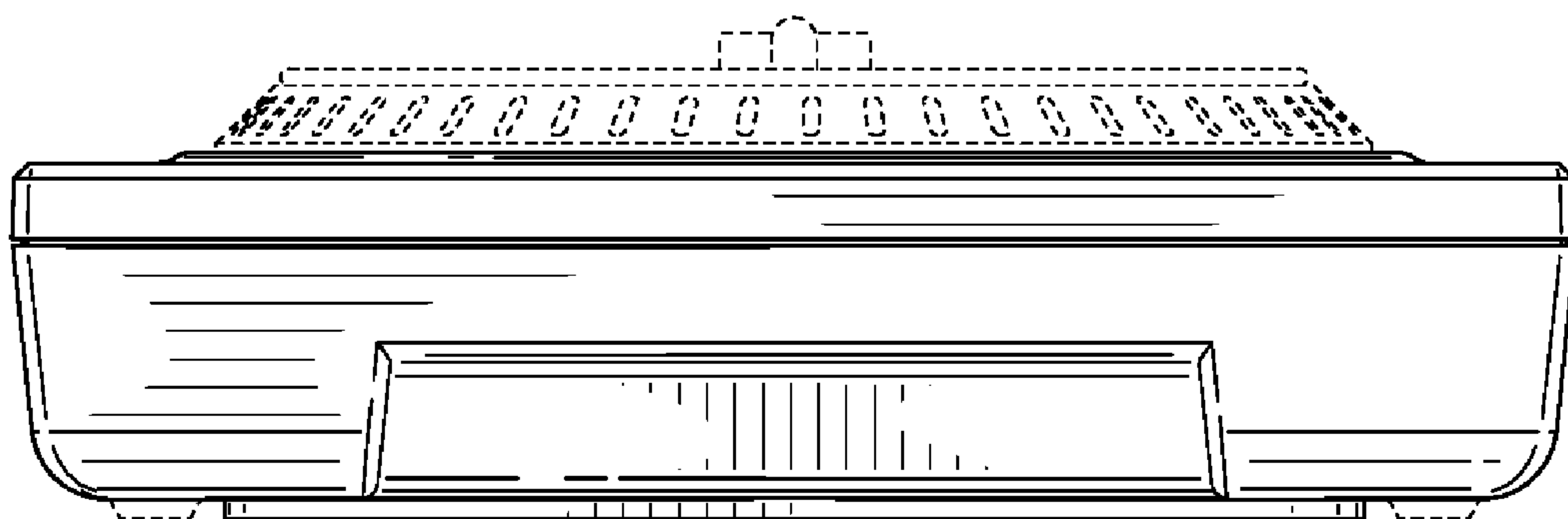


FIG. 8