



US00D615594S

(12) **United States Design Patent**  
**Bellin et al.**

(10) **Patent No.:** **US D615,594 S**

(45) **Date of Patent:** **\*\* \*May 11, 2010**

(54) **DOCUMENT STAND AND SHIELD**

(75) Inventors: **Russell D. Bellin**, Los Angeles, CA  
(US); **Matt Paprocki**, Los Angeles, CA  
(US); **Reiko Abo**, Westlake Village, CA  
(US)

(73) Assignee: **Church of Spiritual Technology**, Los  
Angeles, CA (US)

(\*\*) Term: **14 Years**

(21) Appl. No.: **29/266,257**

(22) Filed: **Sep. 14, 2006**

**Related U.S. Application Data**

(63) Continuation of application No. 29/254,913, filed on  
Feb. 28, 2006, now abandoned, which is a continuation  
of application No. 29/202,304, filed on Mar. 30, 2004,  
now abandoned.

(51) **LOC (9) Cl.** ..... **19-02**

(52) **U.S. Cl.** ..... **D19/91**

(58) **Field of Classification Search** ..... D6/310,  
D6/311, 312, 419; D19/74-92; 40/341,  
40/475; 211/42; 248/127, 441.1, 442.2,  
248/450, 451, 452, 453, 454, 455, 456, 457,  
248/460, 461, 462, 463, 918; 281/45

See application file for complete search history.

(56) **References Cited**

**U.S. PATENT DOCUMENTS**

5,528,796	A *	6/1996	Perry et al.	16/355
5,582,382	A *	12/1996	Pan-Yang	248/456
D385,717	S *	11/1997	Howell	D6/419
5,725,191	A *	3/1998	Nemeth	248/442.2
D425,311	S *	5/2000	Reynolds et al.	D6/302
D492,731	S *	7/2004	Ramey et al.	D19/88
7,106,014	B1 *	9/2006	Mastalir et al.	318/280

7,172,167	B2 *	2/2007	Phifer et al.	248/460
7,226,030	B2 *	6/2007	Burnett-Evans et al.	248/447
D570,120	S *	6/2008	Goodman et al.	D6/310
7,520,484	B1 *	4/2009	Kamath et al.	248/447
2002/0020329	A1 *	2/2002	Kowalski	108/50.01
2003/0001064	A1 *	1/2003	Book	248/460
2006/0186303	A1 *	8/2006	Phifer et al.	248/454

\* cited by examiner

*Primary Examiner*—Elizabeth A. Albert

(74) *Attorney, Agent, or Firm*—Seldon & Scillieri

(57) **CLAIM**

The ornamental design for a document stand and shield, as  
shown and described.

**DESCRIPTION**

FIG. 1 is a front perspective view of a document stand and  
shield in accordance with the present invention, with foldable  
wings extended and movable book supports retracted;

FIG. 2 is a left rear perspective view thereof;

FIG. 3 is a top plan view thereof;

FIG. 4 is a left side elevational view thereof;

FIG. 5 is a rear elevational view thereof;

FIG. 6 is a bottom plan view thereof;

FIG. 7 is a left front perspective view thereof with the foldable  
wings folded;

FIG. 8 is a front elevational view thereof;

FIG. 9 is a top plan view thereof;

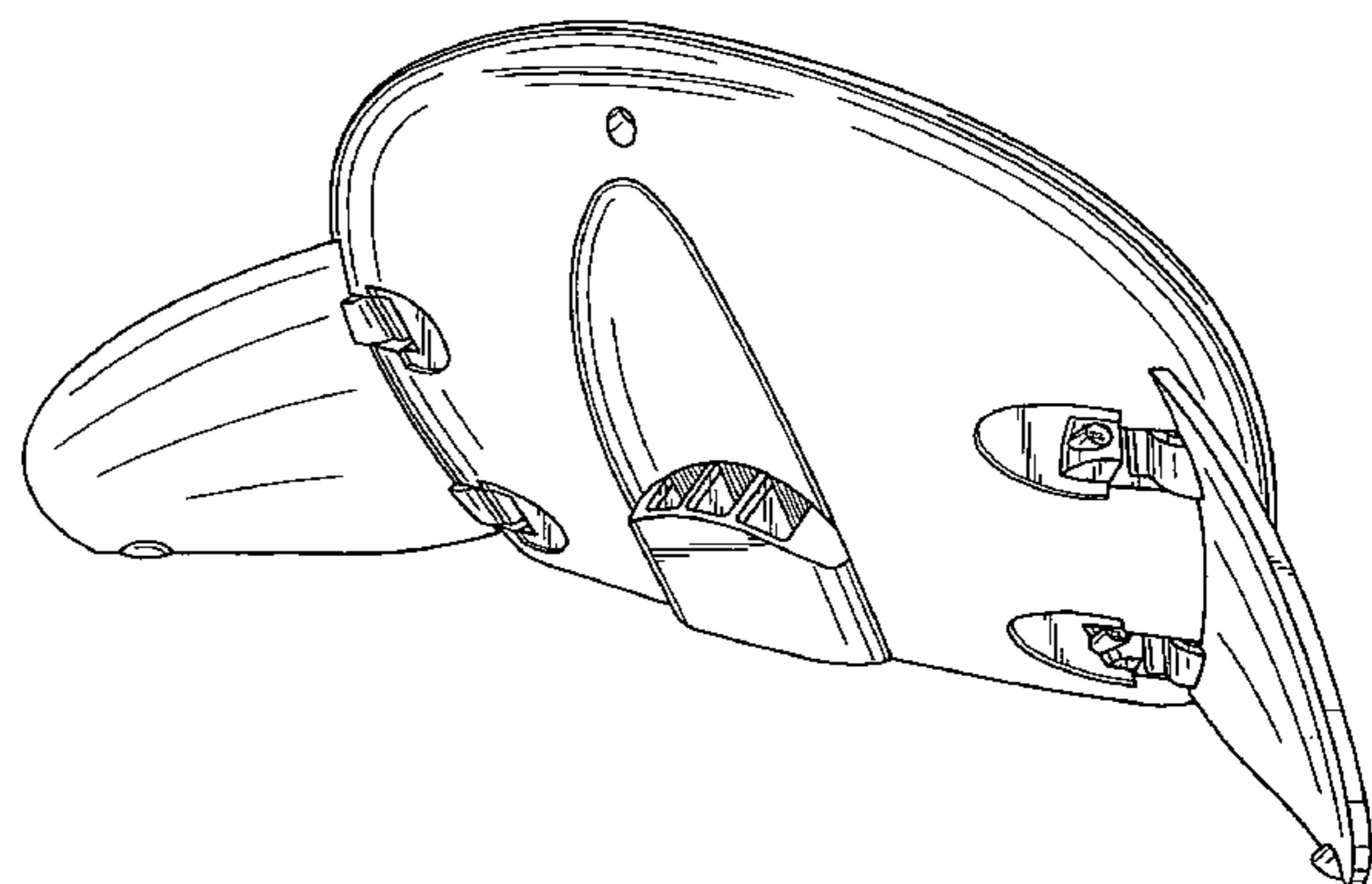
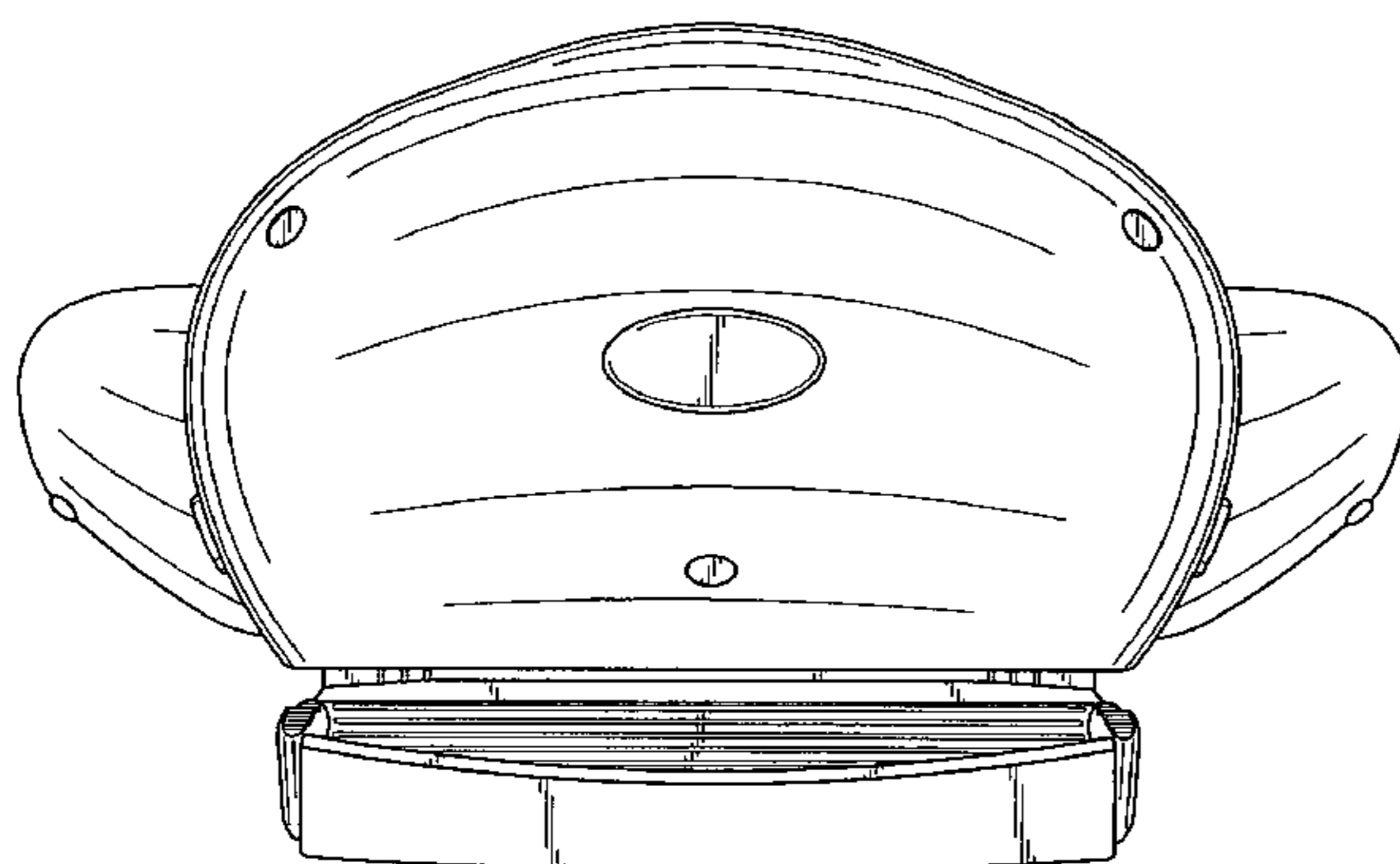
FIG. 10 is a left side elevational view thereof;

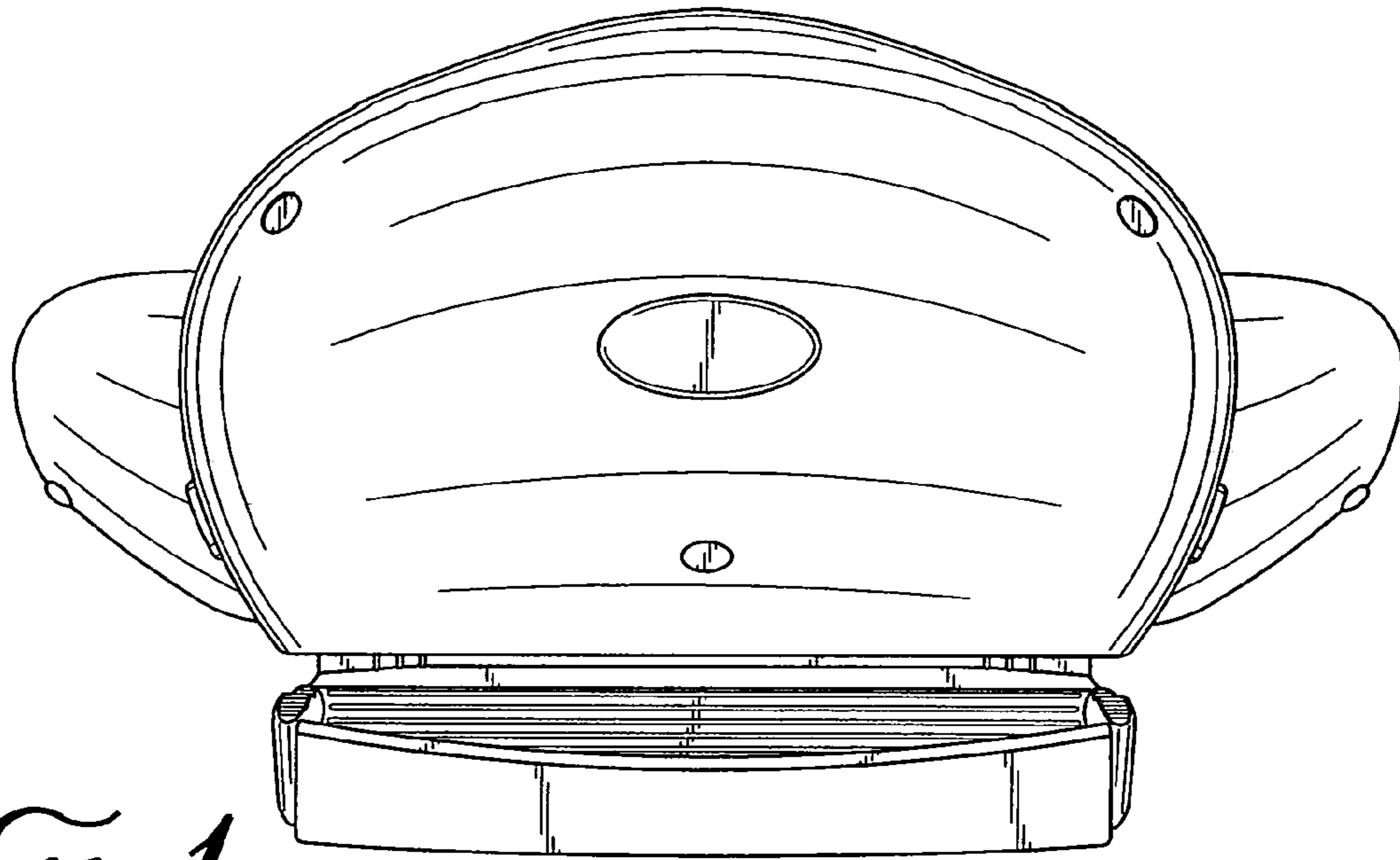
FIG. 11 is a rear elevational view thereof;

FIG. 12 is a bottom plan view thereof; and,

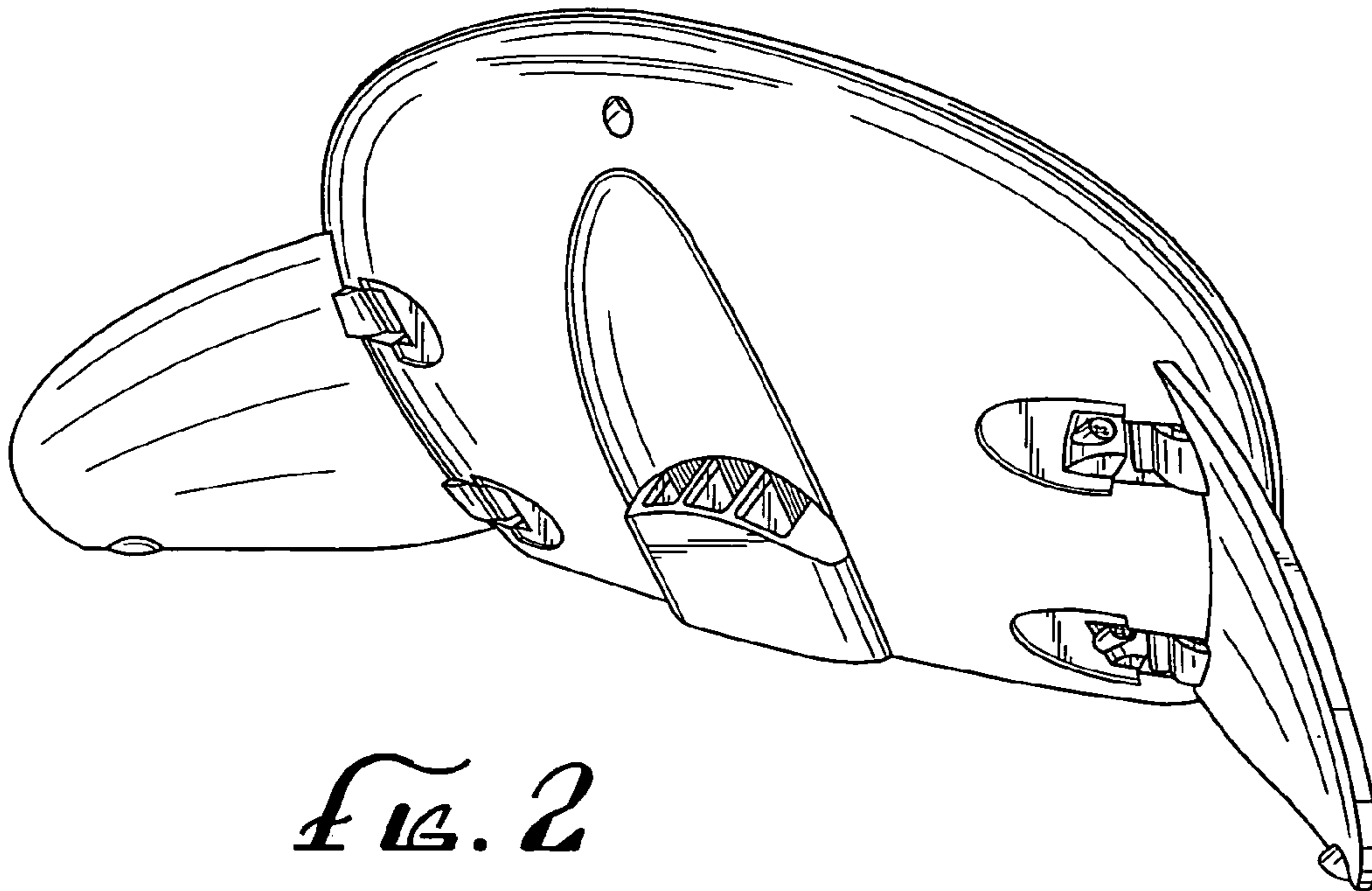
FIG. 13 is a front perspective view of FIG. 1 with the move-  
able book supports extended.

**1 Claim, 7 Drawing Sheets**

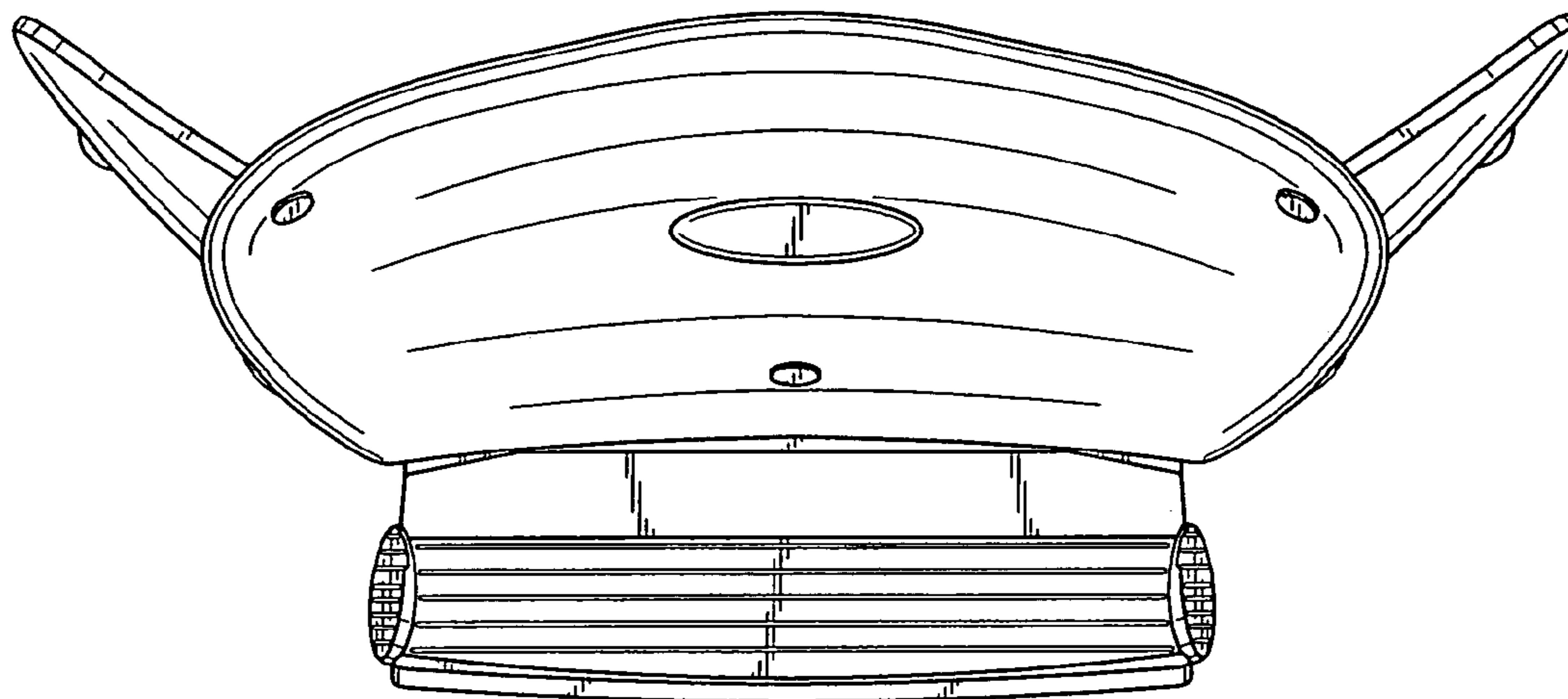




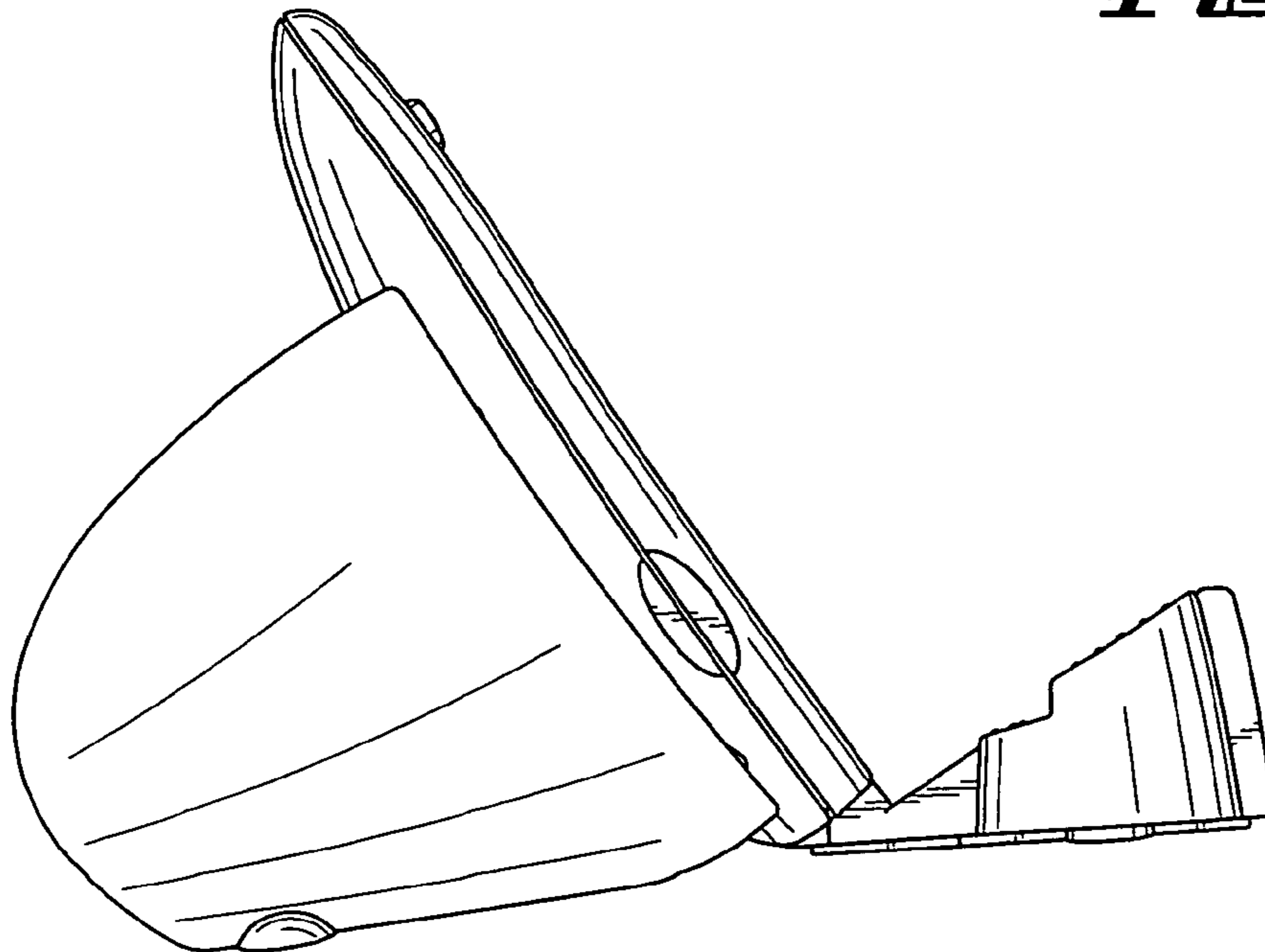
*FIG. 1*



*FIG. 2*



*FIG. 3*



*FIG. 4*

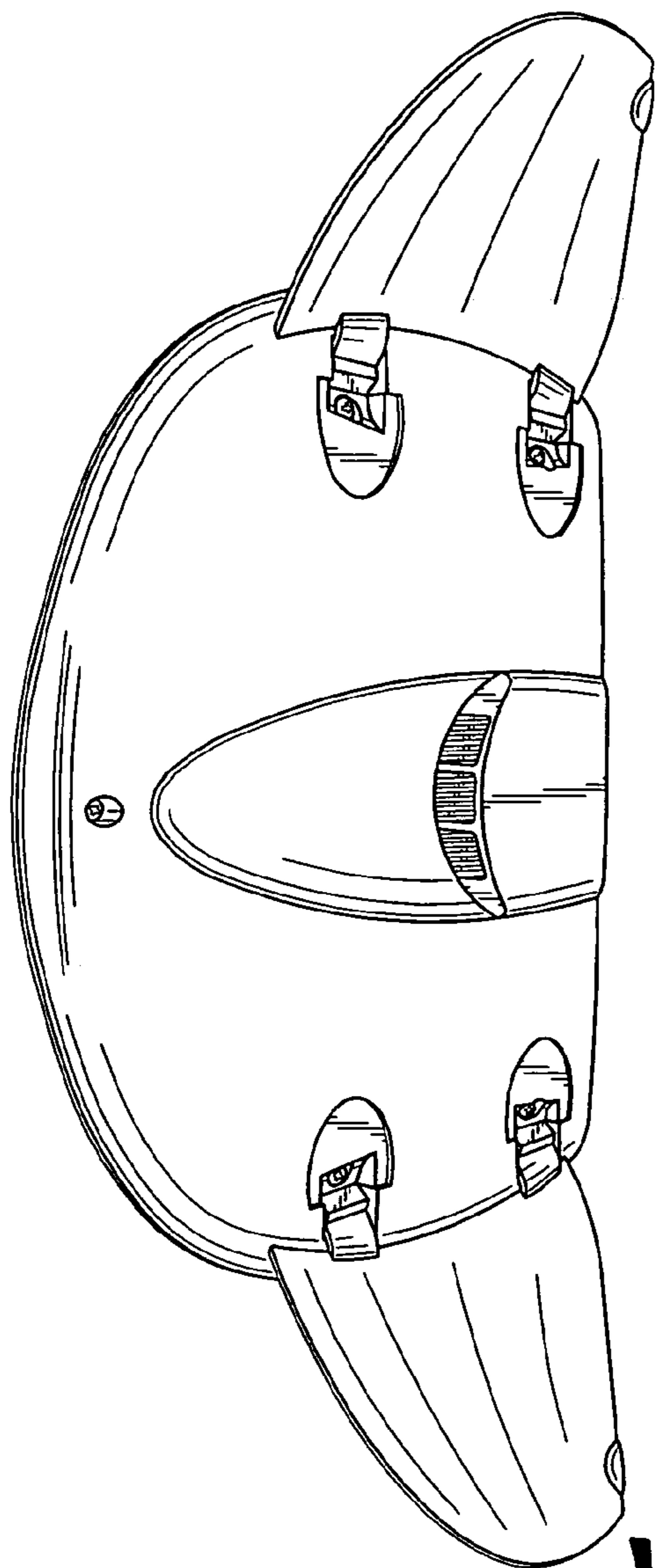


FIG. 5

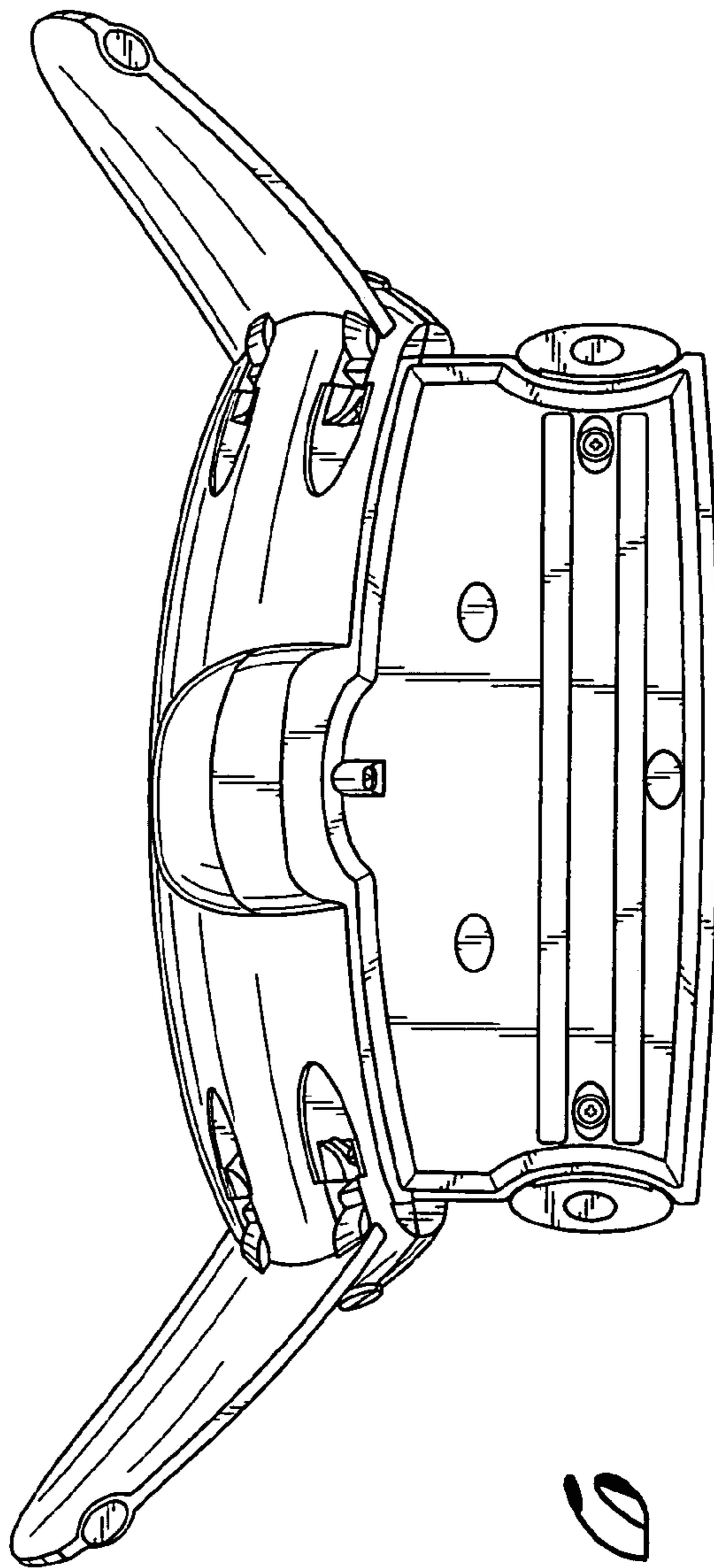
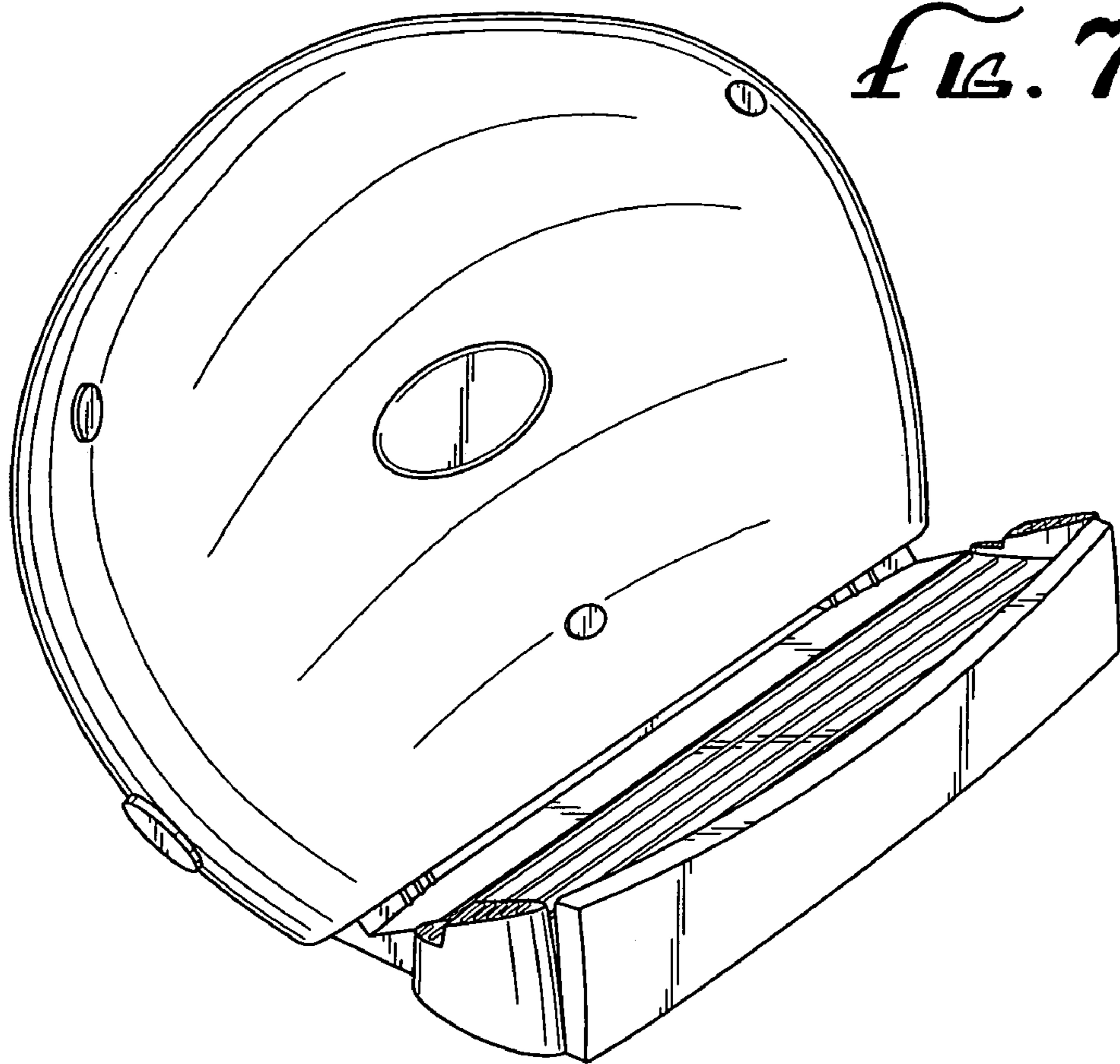
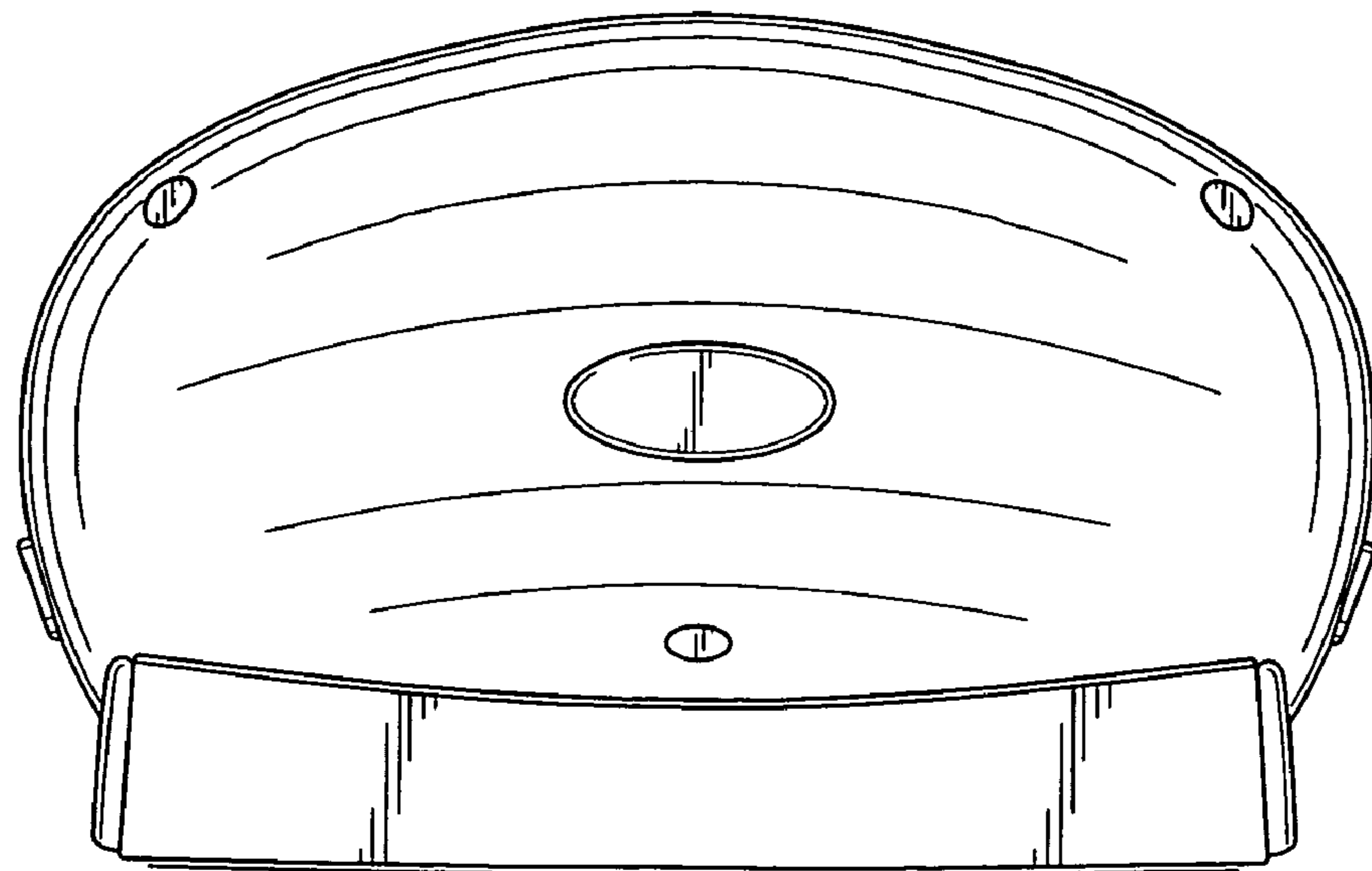


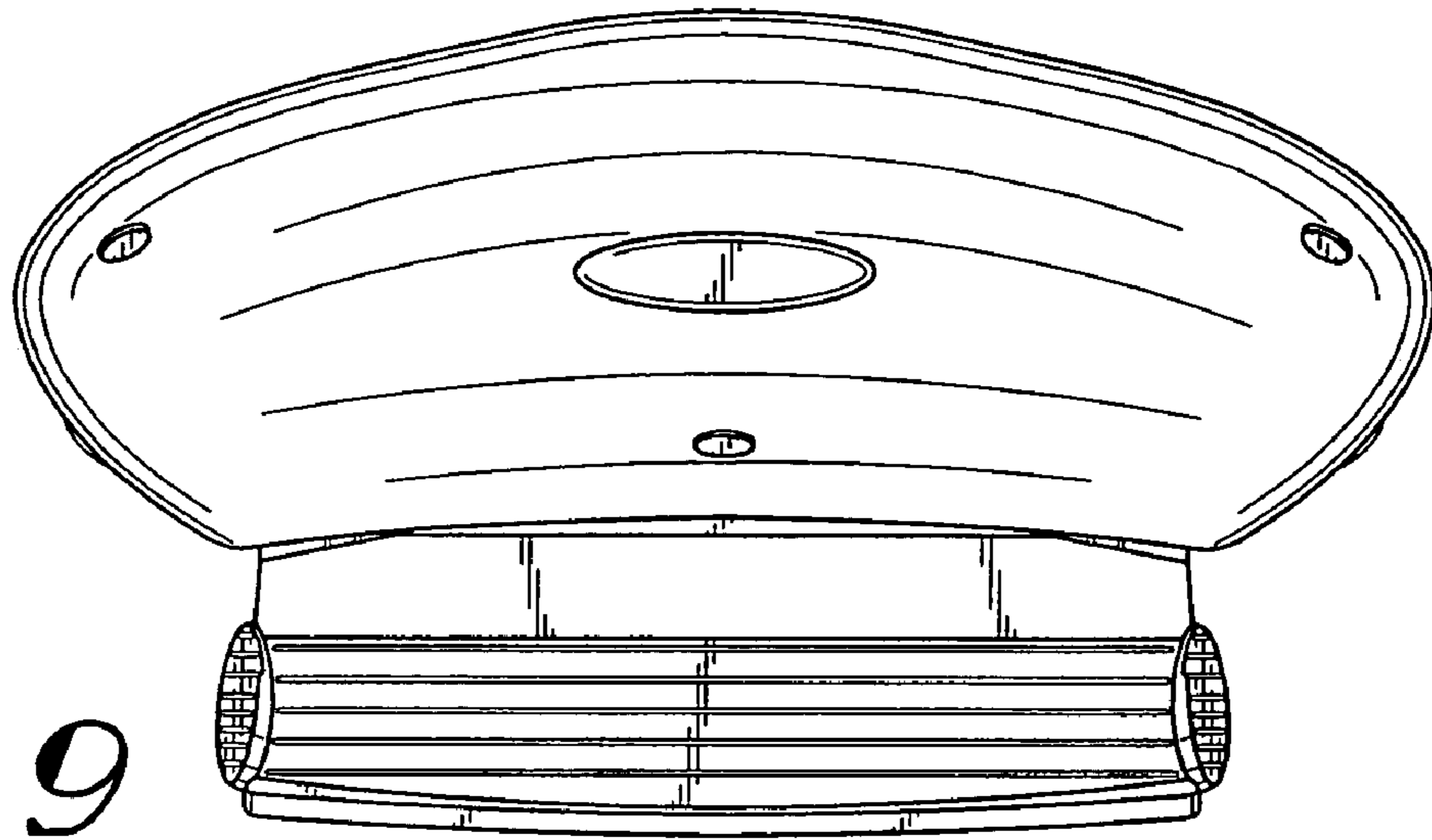
FIG. 6



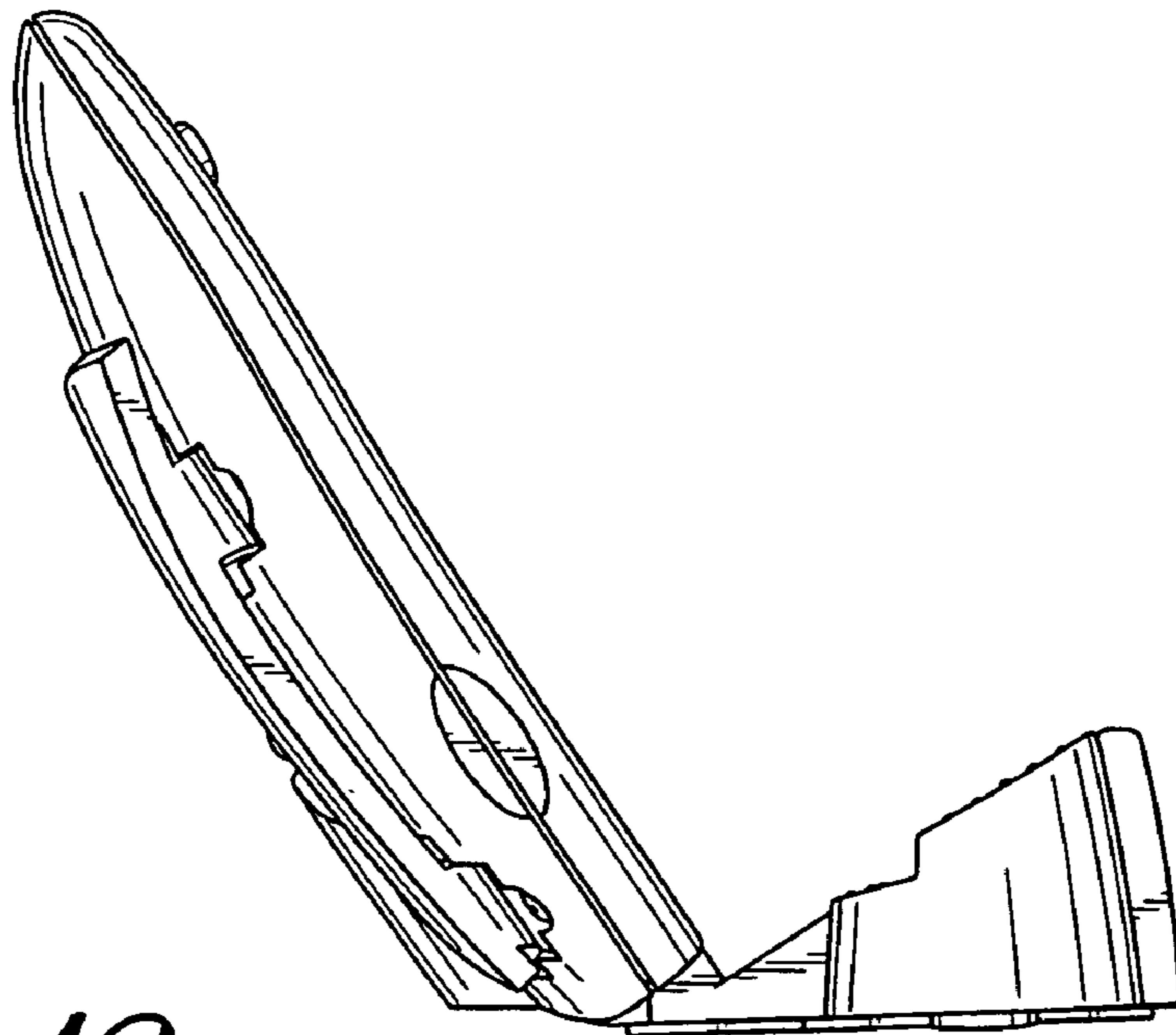
*FIG. 7*



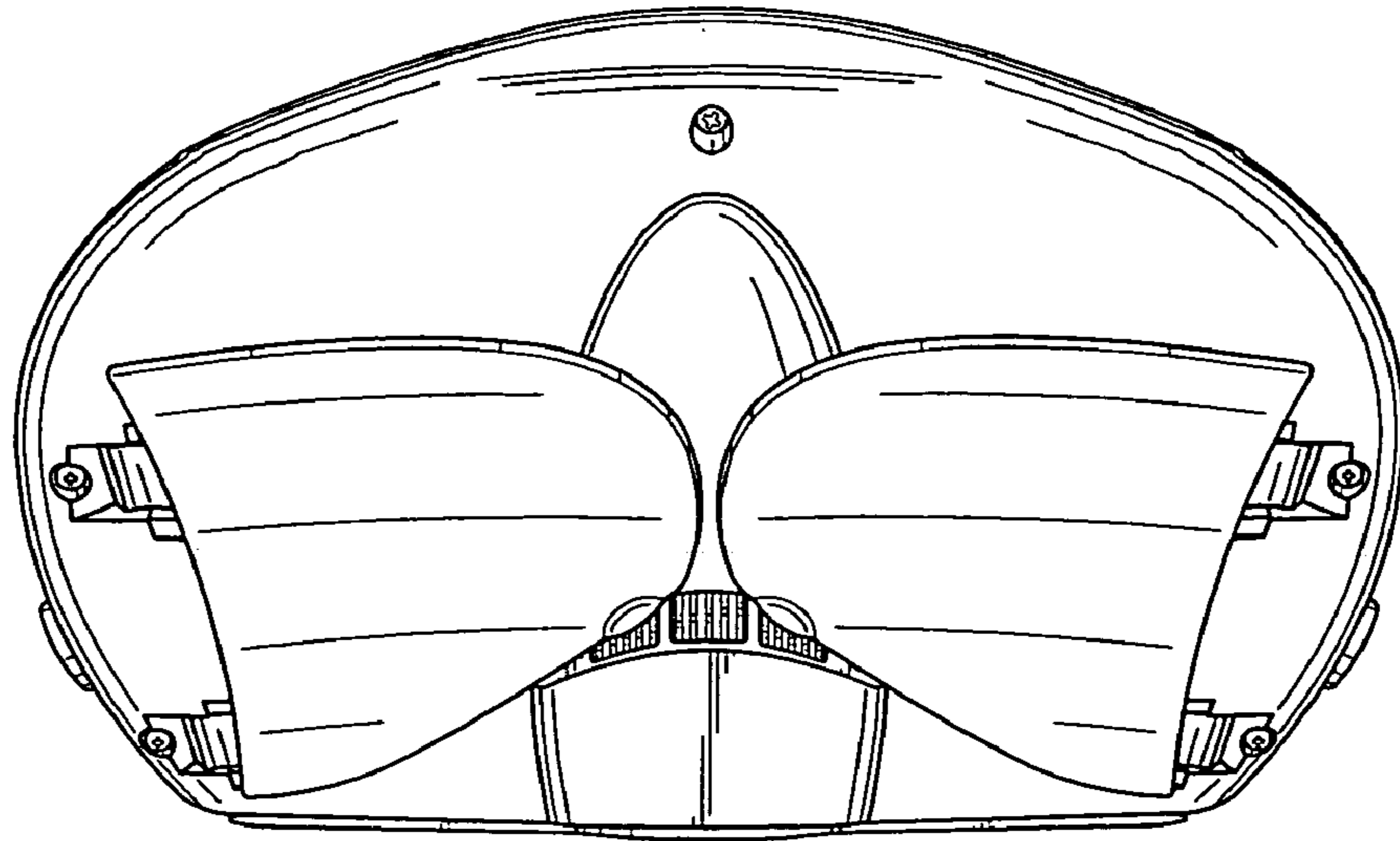
*FIG. 8*



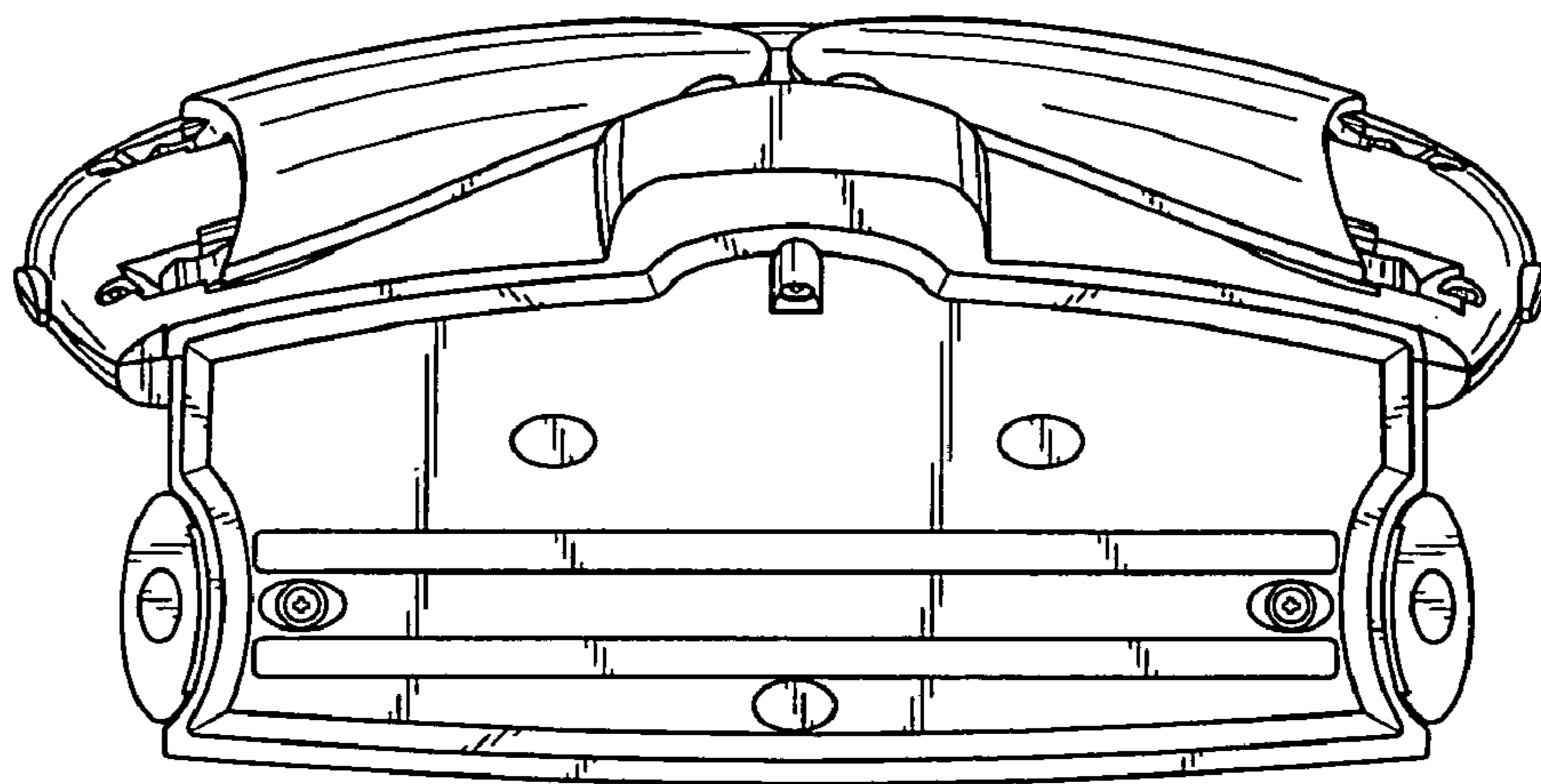
*Fig. 9*



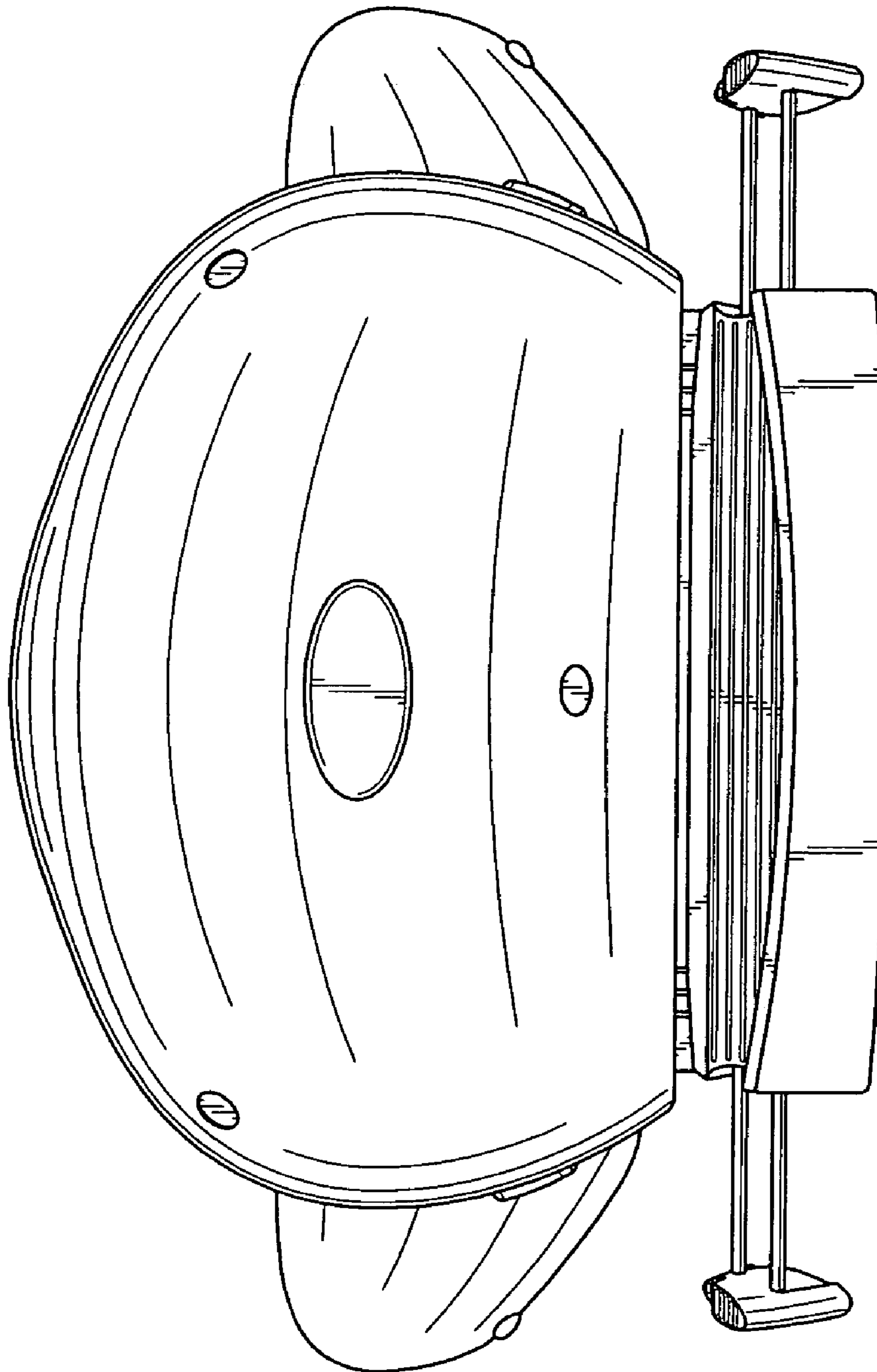
*Fig. 10*



*FIG. 11*



*FIG. 12*



*FIG. 13*