



US00D615593S

(12) **United States Design Patent**
Leung

(10) **Patent No.:** **US D615,593 S**

(45) **Date of Patent:** **** May 11, 2010**

(54) **TWO-HOLE PAPER PUNCH**

(75) Inventor: **Chan Siu Leung**, Kowloon (HK)

(73) Assignee: **Tung Yung International Limited**,
Kwun Tong, Kowloon (HK)

(**) Term: **14 Years**

(21) Appl. No.: **29/315,090**

(22) Filed: **May 26, 2009**

(51) **LOC (9) Cl.** **19-02**

(52) **U.S. Cl.** **D19/72**

(58) **Field of Classification Search** D8/98;
D19/72; 30/358; 83/167, 467.1, 468, 468.2,
83/549, 588, 618, 620, 633, 651, 684
See application file for complete search history.

(56) **References Cited**

U.S. PATENT DOCUMENTS

D152,283	S	*	1/1949	Misson	D19/72
4,288,018	A	*	9/1981	Taniguchi	227/76
5,611,254	A	*	3/1997	Rall	83/467.1
D467,618	S	*	12/2002	Gstalder	D19/72
D477,028	S	*	7/2003	Huang	D19/72
6,644,161	B2	*	11/2003	Lin	83/588
D496,071	S	*	9/2004	Huang	D19/72
2007/0151435	A1	*	7/2007	Kandasamy	83/588
2008/0156160	A1	*	7/2008	Yamashita et al.	83/459

FOREIGN PATENT DOCUMENTS

WO DM-054326 * 11/2000

WO DM-064941 * 4/2003
WO DM-064492 * 10/2003

* cited by examiner

Primary Examiner—Elizabeth A Albert
Assistant Examiner—Karen E Eldridge Powers
(74) *Attorney, Agent, or Firm*—Law Offices of Thomas E. Schatzel

(57) **CLAIM**

The ornamental design for a two-hole paper punch, as shown and described.

DESCRIPTION

FIG. 1 is a right-rear perspective view of a two-hole paper punch;
FIG. 2 is a left-rear perspective view thereof;
FIG. 3 is a left-front perspective view thereof;
FIG. 4 is a right-front perspective view thereof;
FIG. 5 is a left-side elevational view thereof;
FIG. 6 is a back end elevational view thereof;
FIG. 7 is a top plan view thereof;
FIG. 8 is a front end elevational view thereof;
FIG. 9 is a bottom plan view thereof; and,
FIG. 10 is a right-side elevational view thereof.

The broken lines shown in the drawings illustrate environmental matter and form no part of the claimed design.

1 Claim, 5 Drawing Sheets

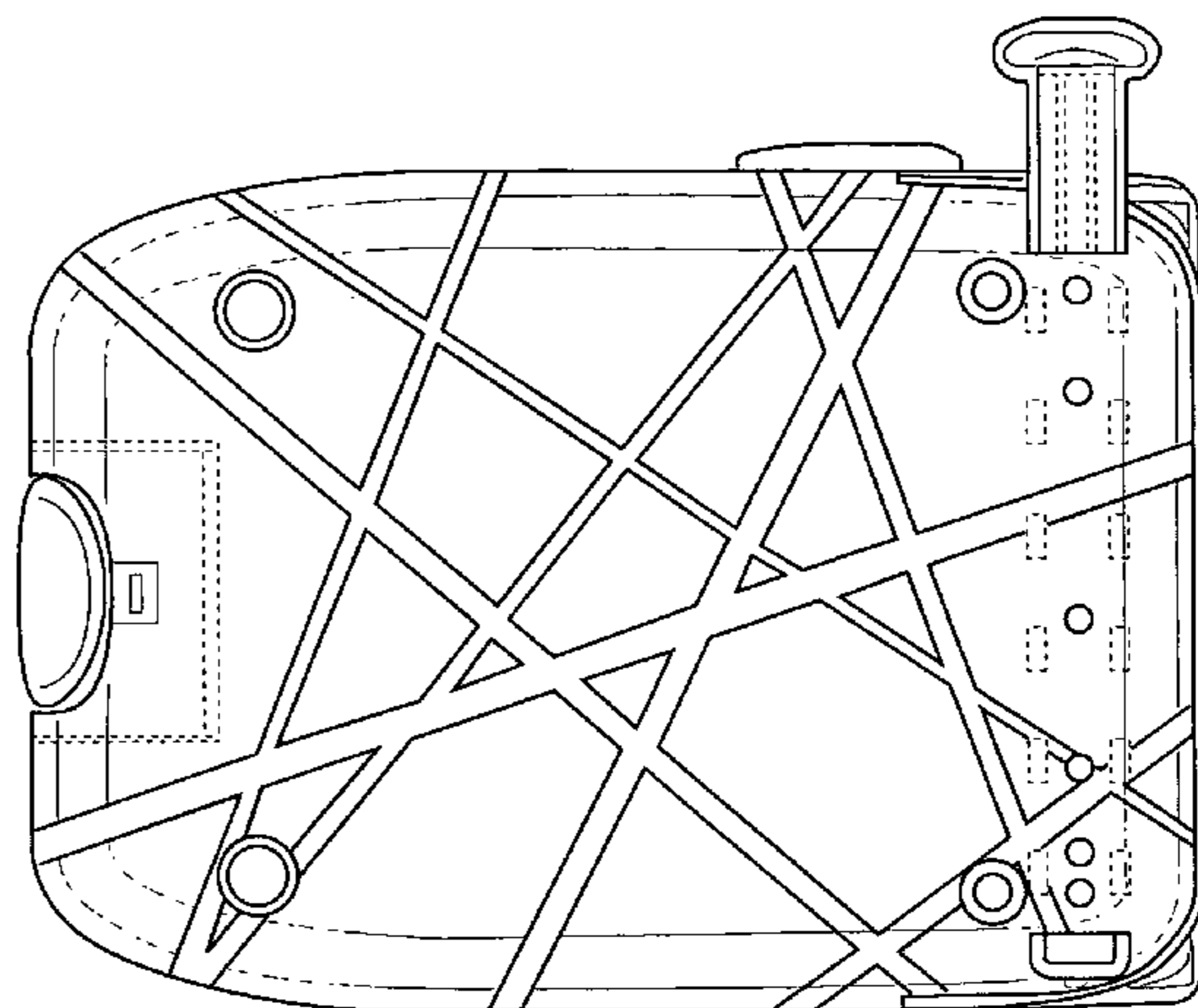
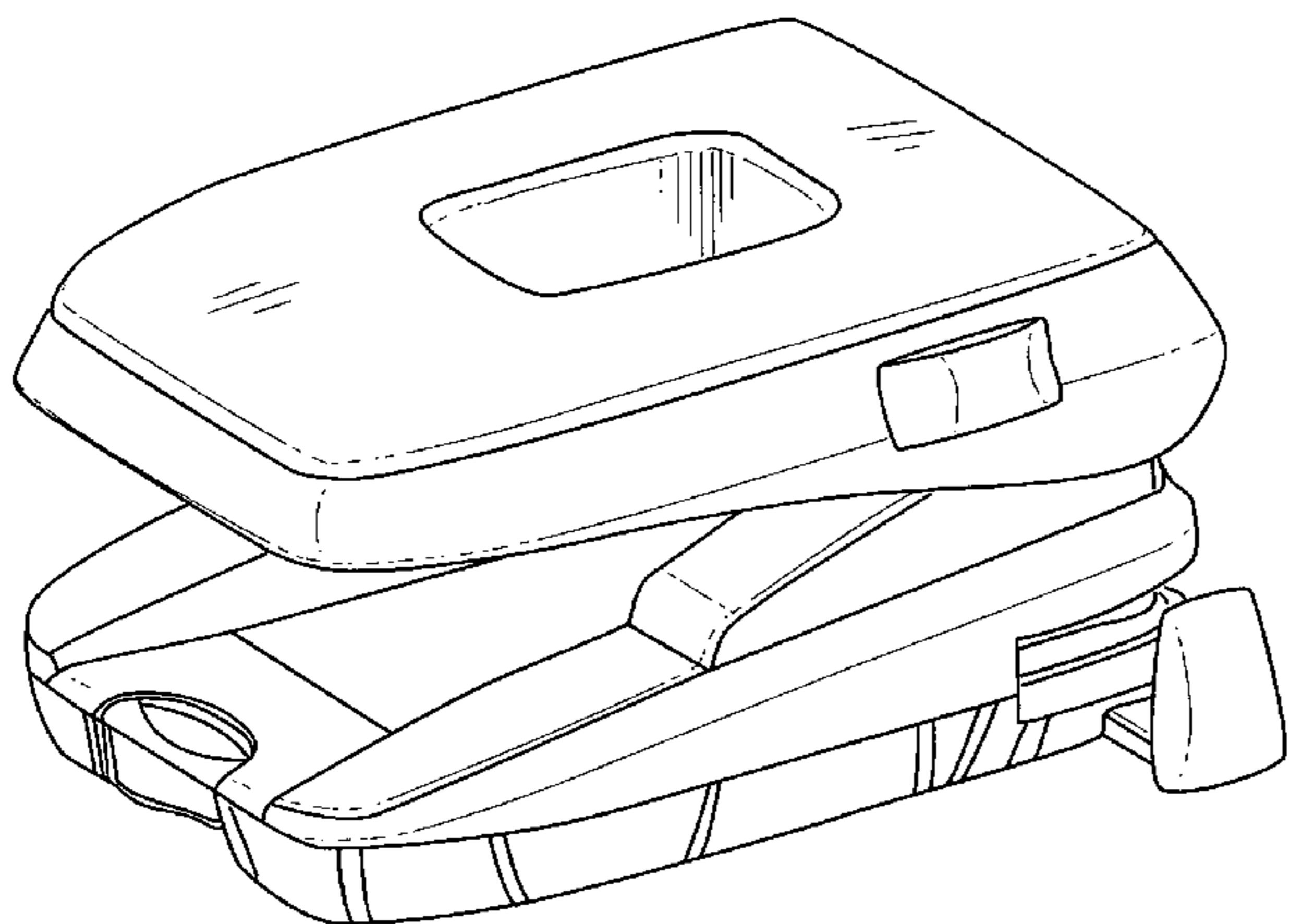


Fig. 1

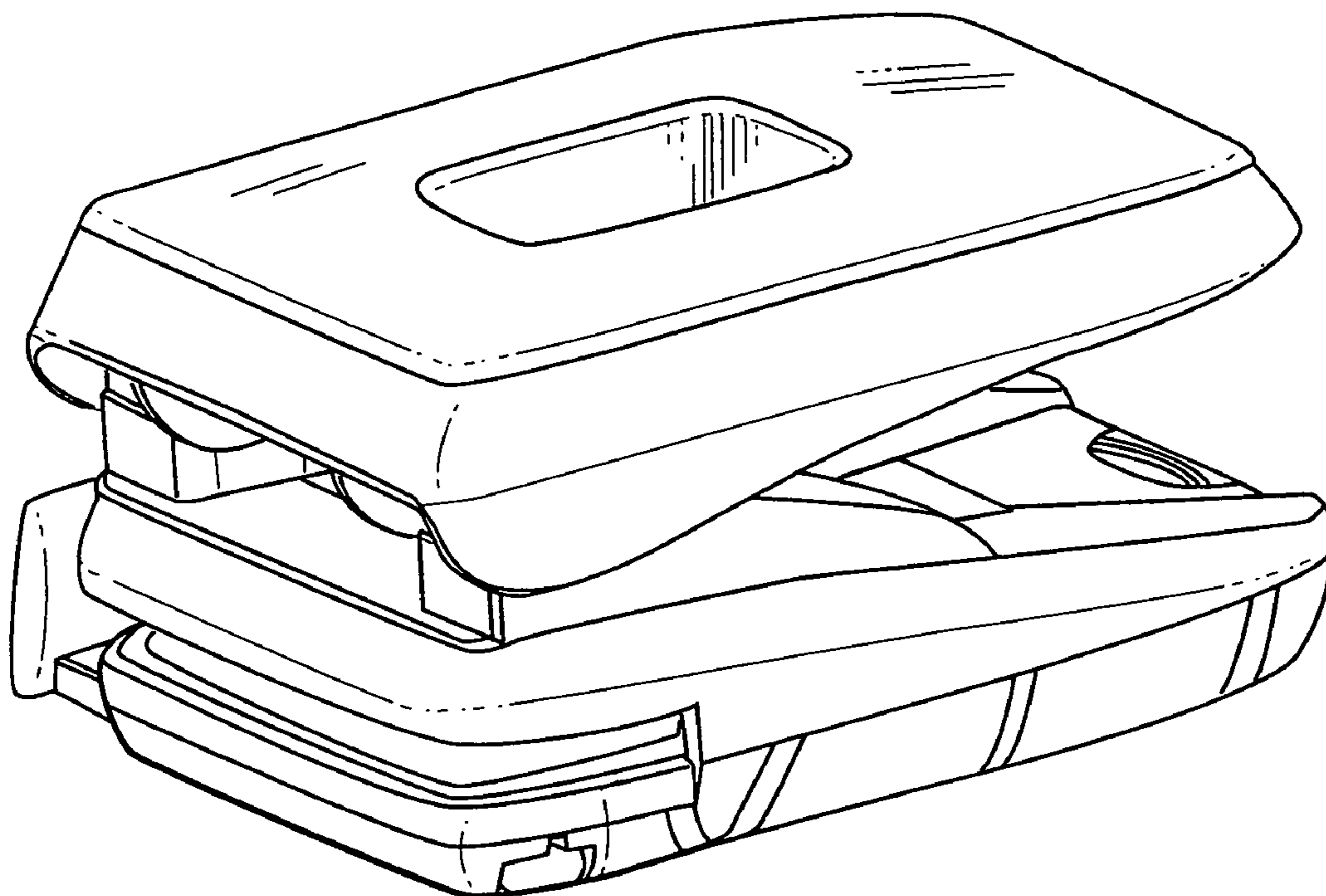


Fig. 2

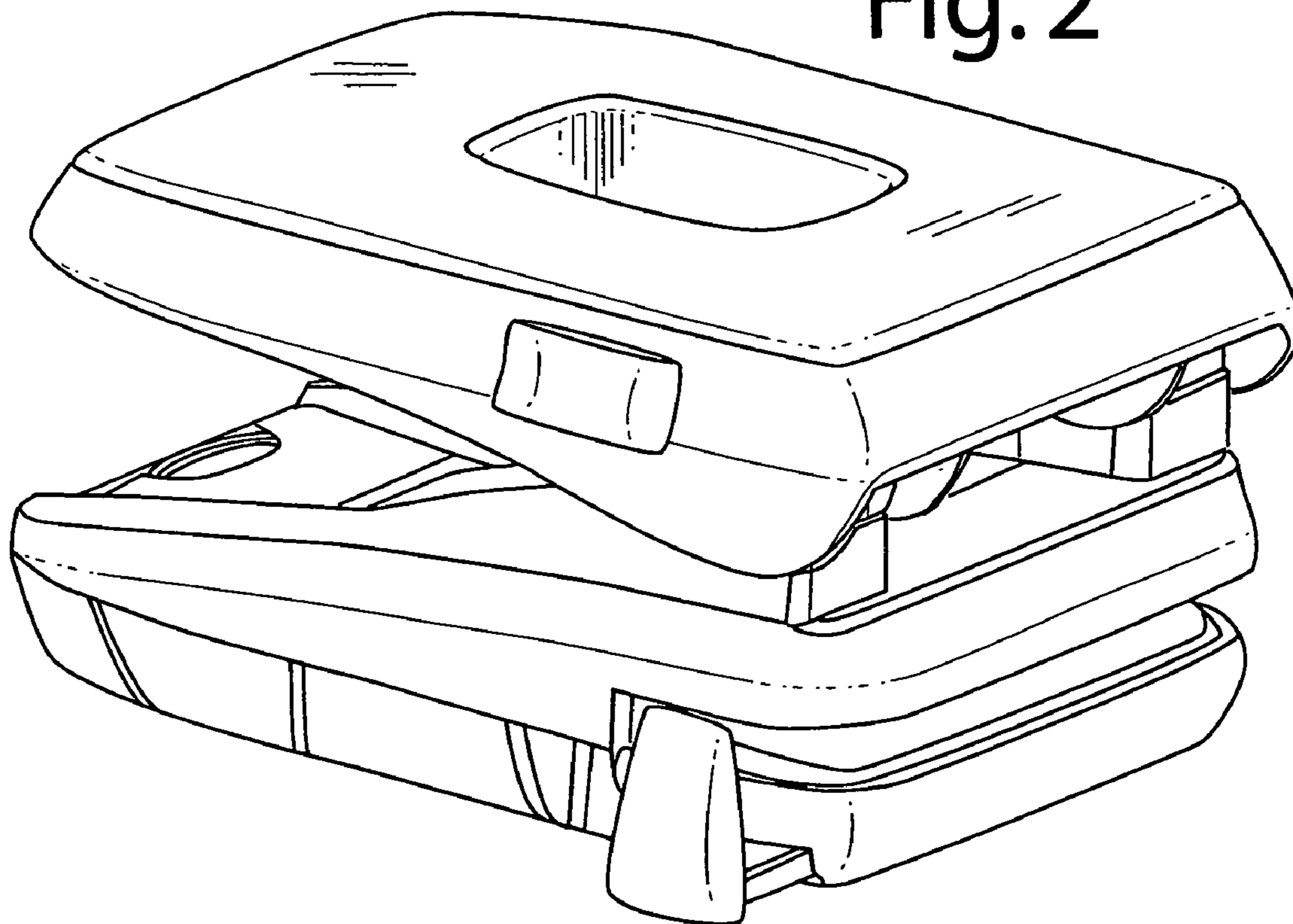


Fig. 3

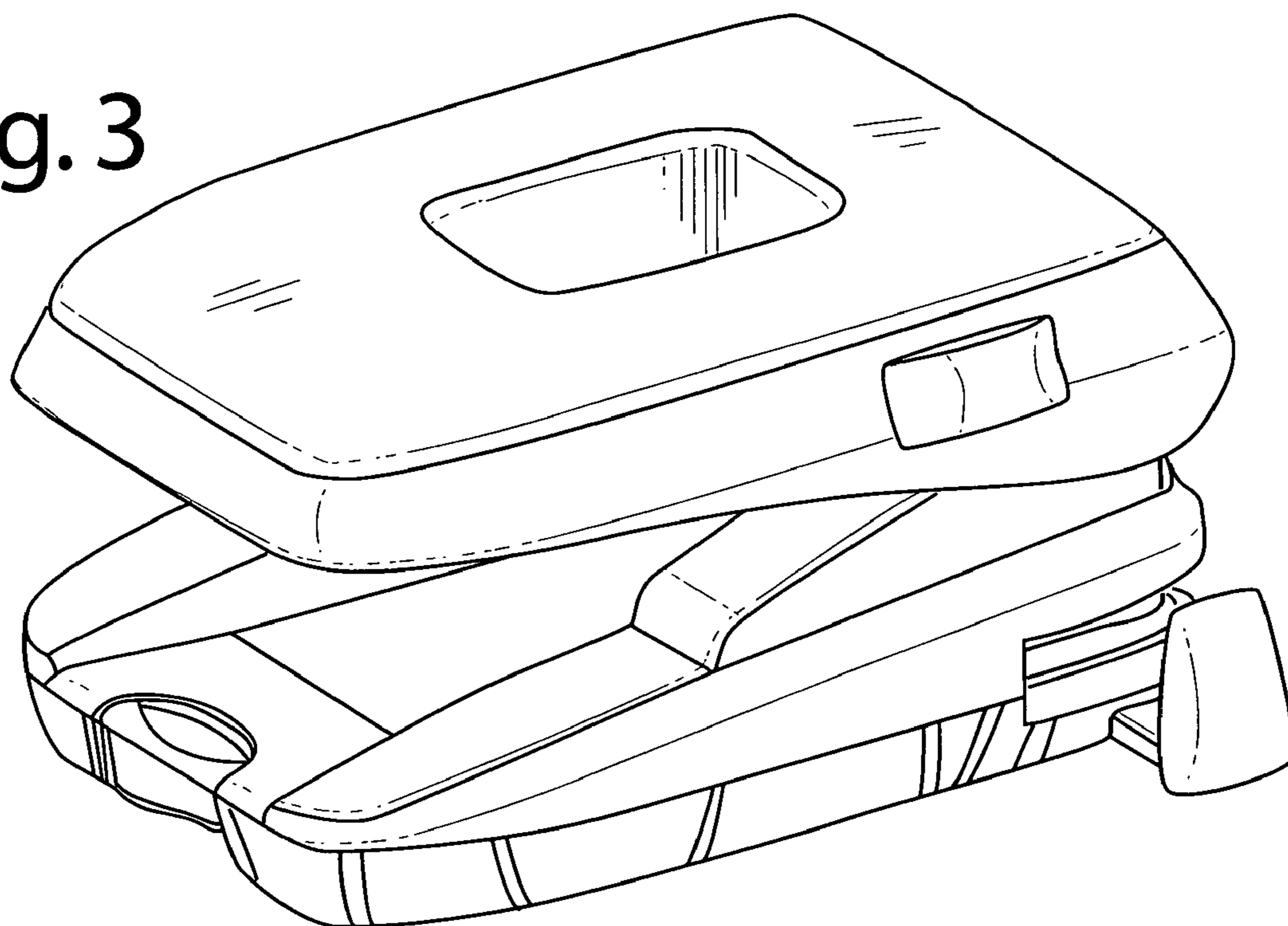


Fig. 4

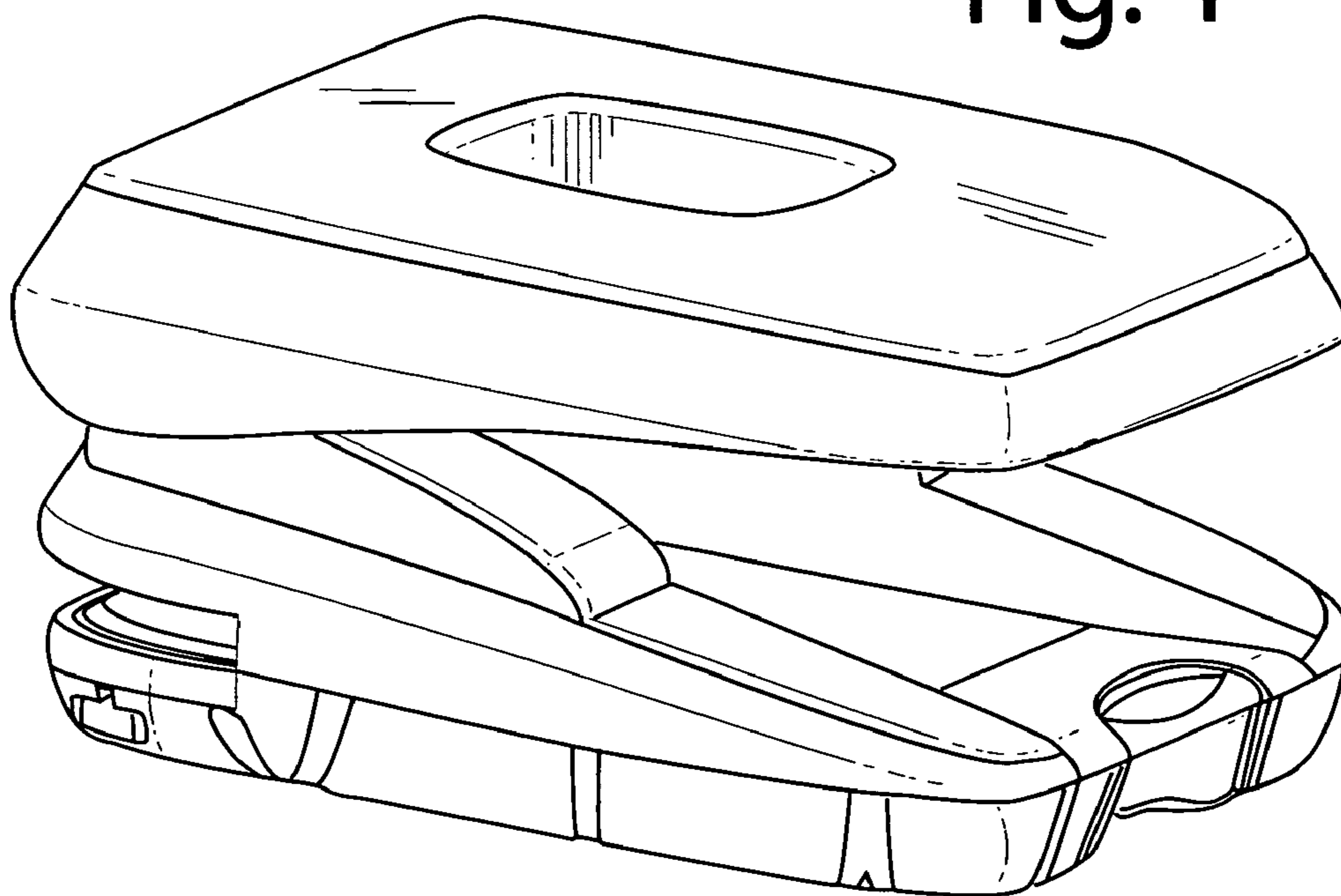


Fig. 5

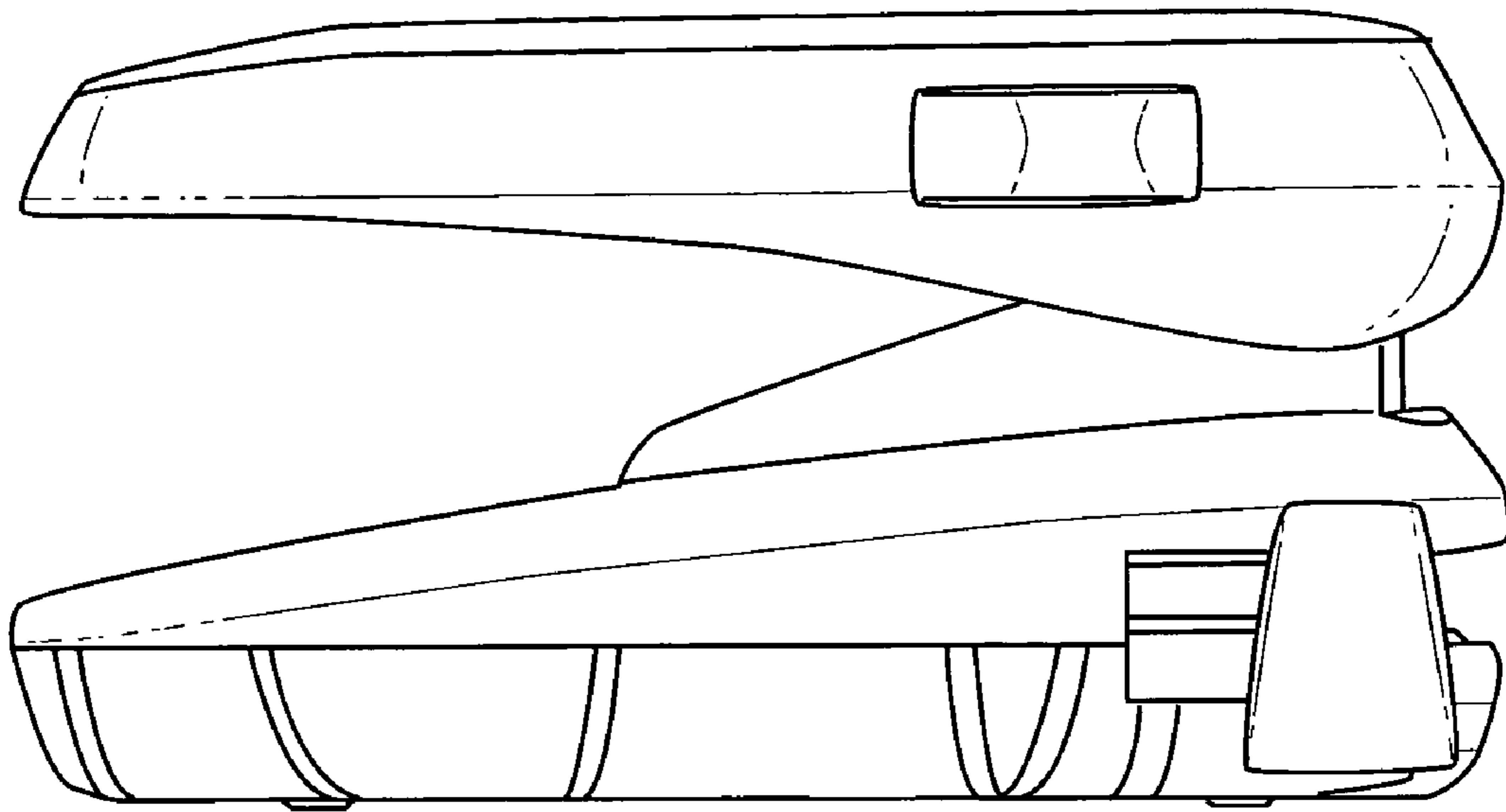


Fig. 6

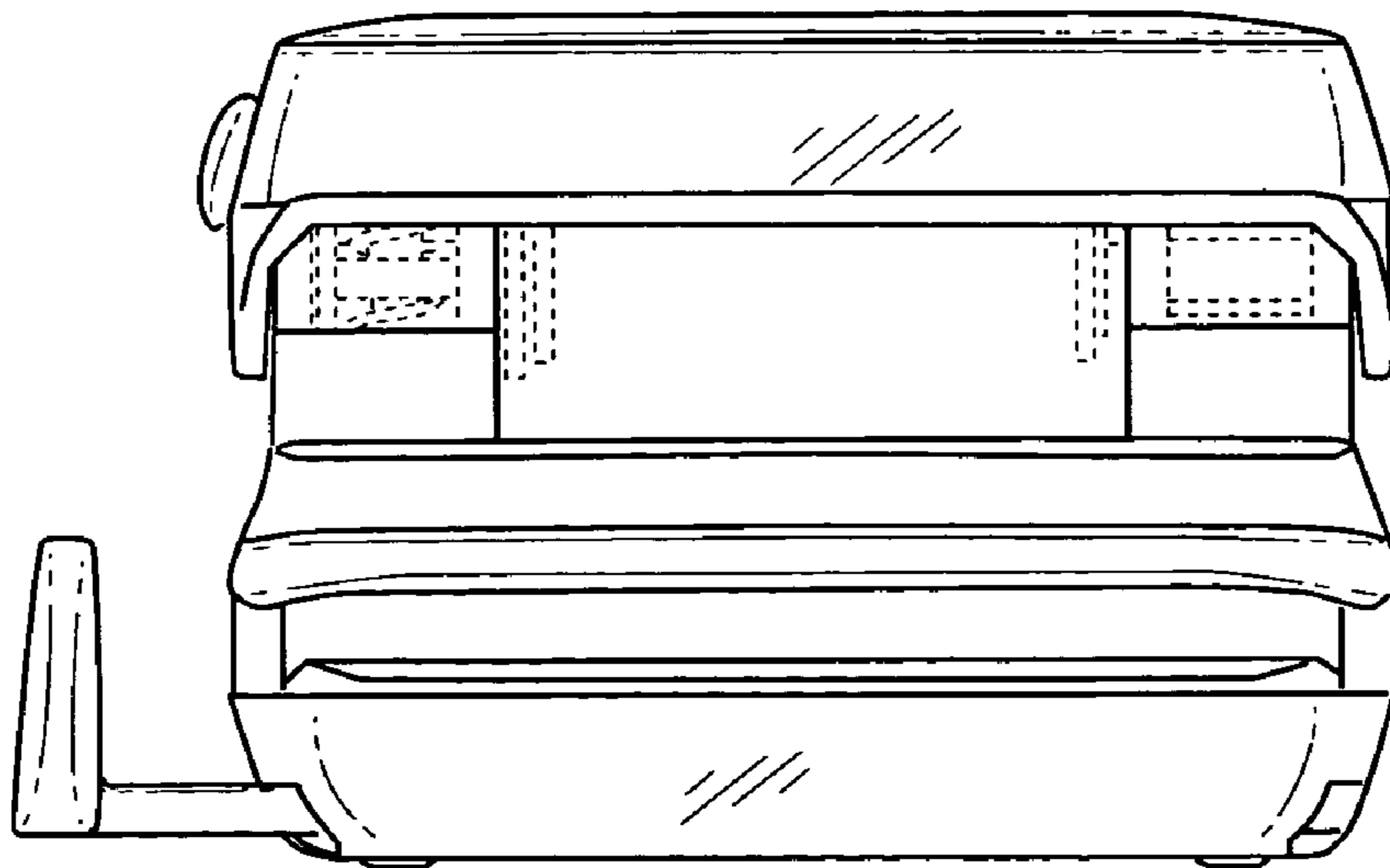


Fig. 7

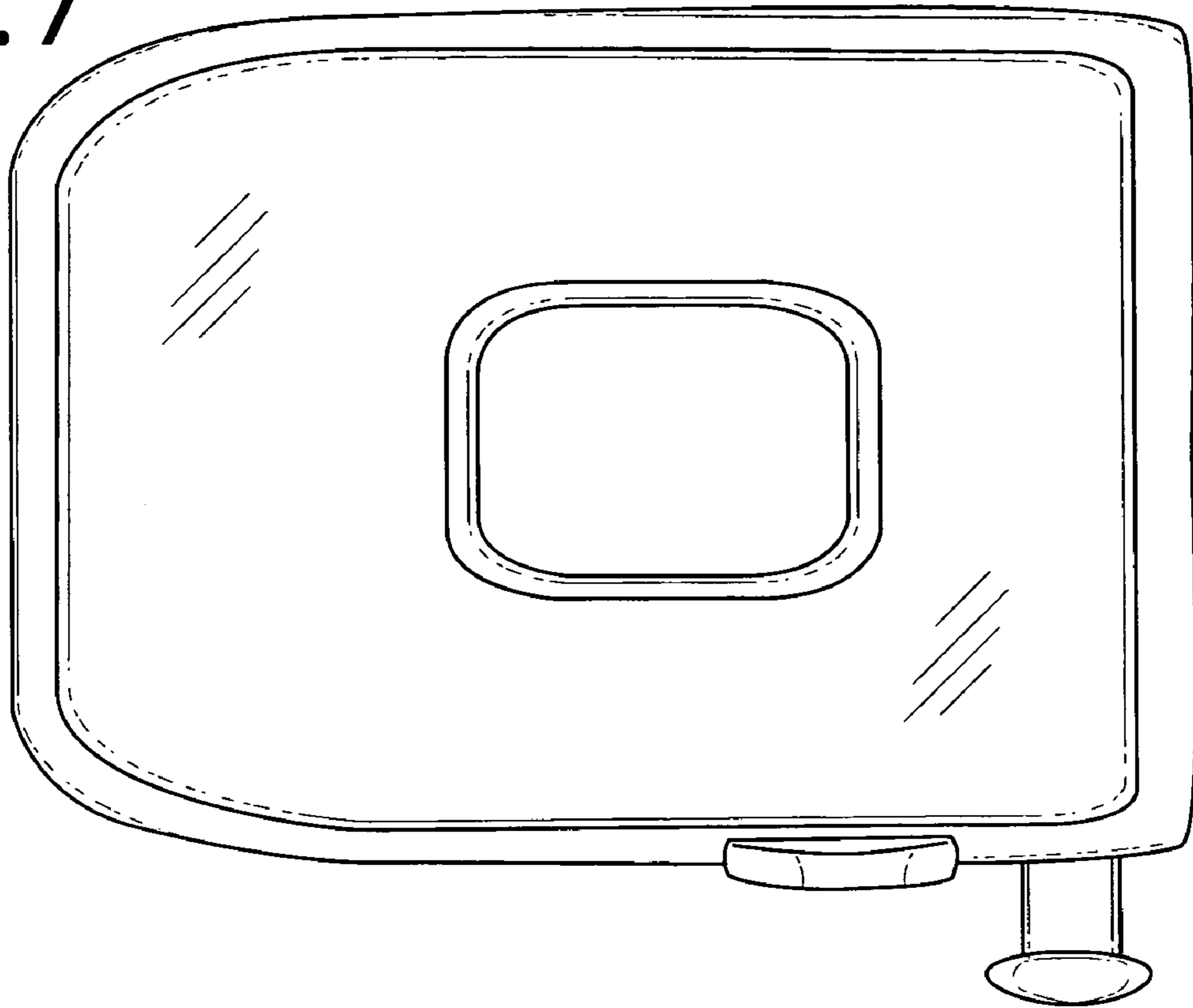


Fig. 8

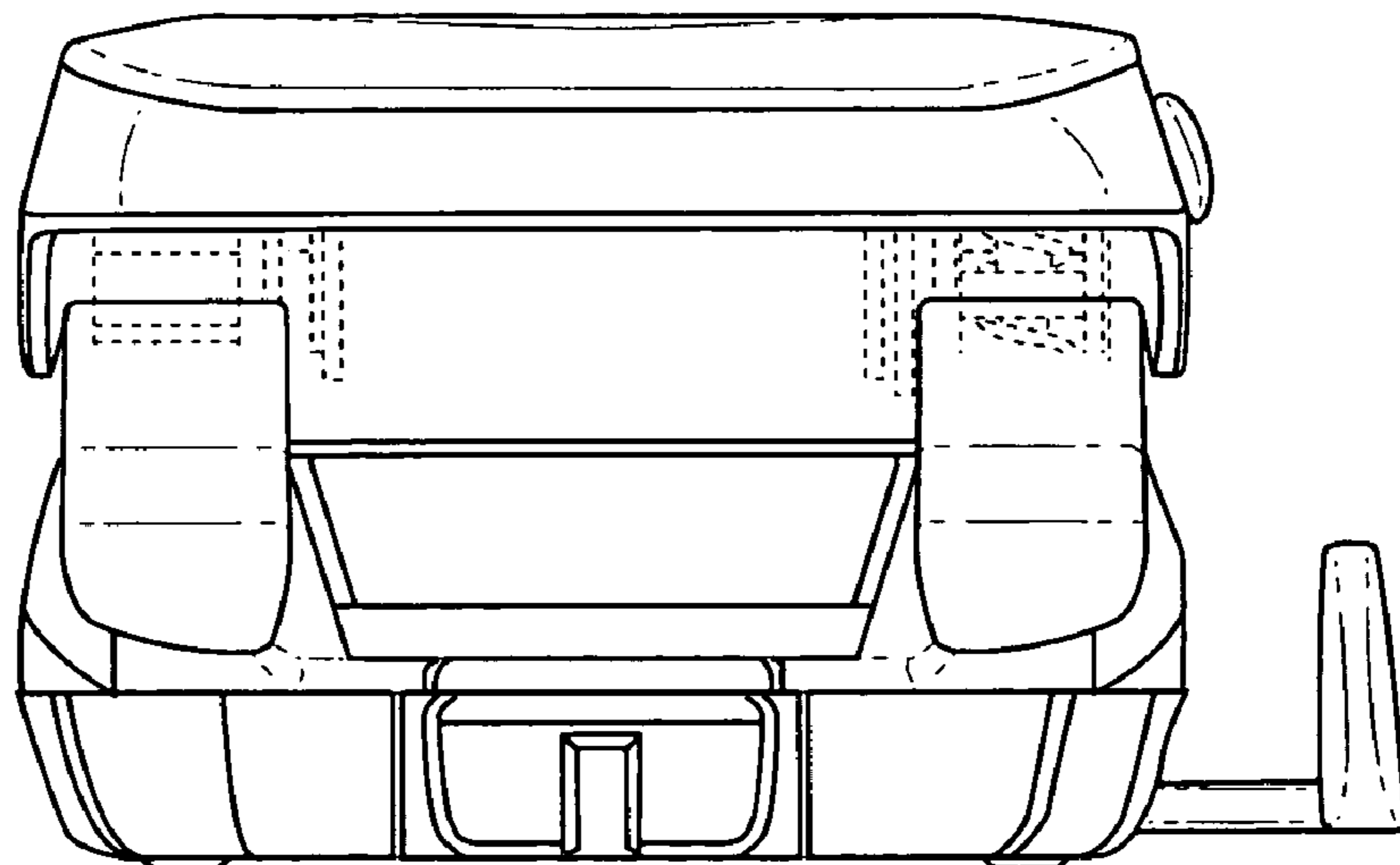


Fig. 9

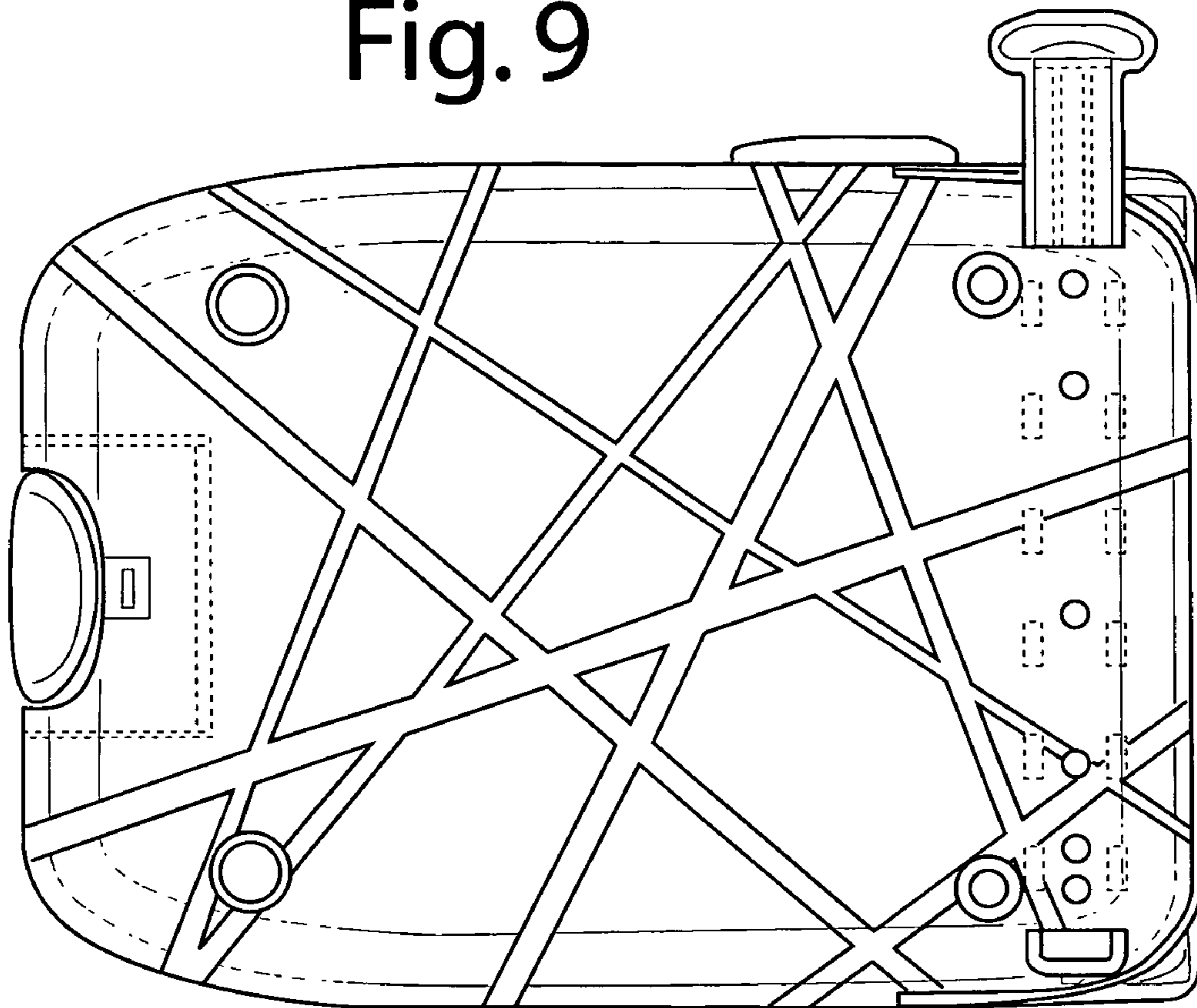


Fig. 10

