



US00D615592S

(12) **United States Design Patent**
Shaha et al.

(10) **Patent No.:** **US D615,592 S**

(45) **Date of Patent:** **** May 11, 2010**

(54) **TAPE DISPENSER**

(76) Inventors: **Kevin Bruce Shaha**, P.O. Box 217,
Dover, ID (US) 83825; **Don Embree**,
3755 Boettler Oaks, Green, OH (US)
44685

(**) Term: **14 Years**

(21) Appl. No.: **29/351,528**

(22) Filed: **Dec. 7, 2009**

(51) **LOC (9) Cl.** **19-02**

(52) **U.S. Cl.** **D19/69**

(58) **Field of Classification Search** D19/70,
D19/69, 36, 68; 242/588.6, 588.2; 225/77,
225/6, 56, 39, 26, 25, 19, 11; 206/411; 156/577,
156/527, 523

See application file for complete search history.

(56) **References Cited**

U.S. PATENT DOCUMENTS

D170,429	S	*	9/1953	Reinecke	D19/69
3,187,968	A	*	6/1965	Favre	225/56
3,498,512	A	*	3/1970	Golemon	225/21
4,104,110	A	*	8/1978	Macosko	156/523
4,437,854	A	*	3/1984	Knoop	493/353
4,447,281	A	*	5/1984	Joy	156/250
4,729,518	A	*	3/1988	Mathna et al.	242/422.4
D315,576	S	*	3/1991	En	D19/69
D332,629	S	*	1/1993	Oh	D19/69
D336,492	S	*	6/1993	Samuelson et al.	D19/69
D342,092	S	*	12/1993	Samuelson et al.	D19/69
D342,093	S	*	12/1993	Samuelson	D19/69
5,370,916	A	*	12/1994	Olsen	428/40.1
D357,502	S	*	4/1995	Schwarz et al.	D19/69
6,460,800	B1	*	10/2002	Watanabe et al.	242/598.5

6,920,979	B2	*	7/2005	Chandaria	206/397
D510,951	S	*	10/2005	Carlson et al.	D19/69
D526,685	S	*	8/2006	Carlson et al.	D19/69
D528,602	S	*	9/2006	Carlson et al.	D19/69
D539,352	S	*	3/2007	Farce et al.	D19/69
D540,870	S	*	4/2007	Porcini et al.	D19/69
D541,347	S	*	4/2007	Porcini et al.	D19/69
D541,864	S	*	5/2007	Porcini et al.	D19/69
D570,919	S	*	6/2008	Chan et al.	D19/69

* cited by examiner

Primary Examiner—Cathron C Brooks

Assistant Examiner—Austin Murphy

(74) *Attorney, Agent, or Firm*—QuickPatents, Inc.; Kevin Prince

(57) **CLAIM**

We claim the ornamental design for a tape dispenser, as shown and described.

DESCRIPTION

FIG. 1 is a perspective view of a tape dispenser, showing our new design;

FIG. 2 is a left-side elevational view thereof;

FIG. 3 is a right-side elevational view thereof;

FIG. 4 is a front elevational view thereof;

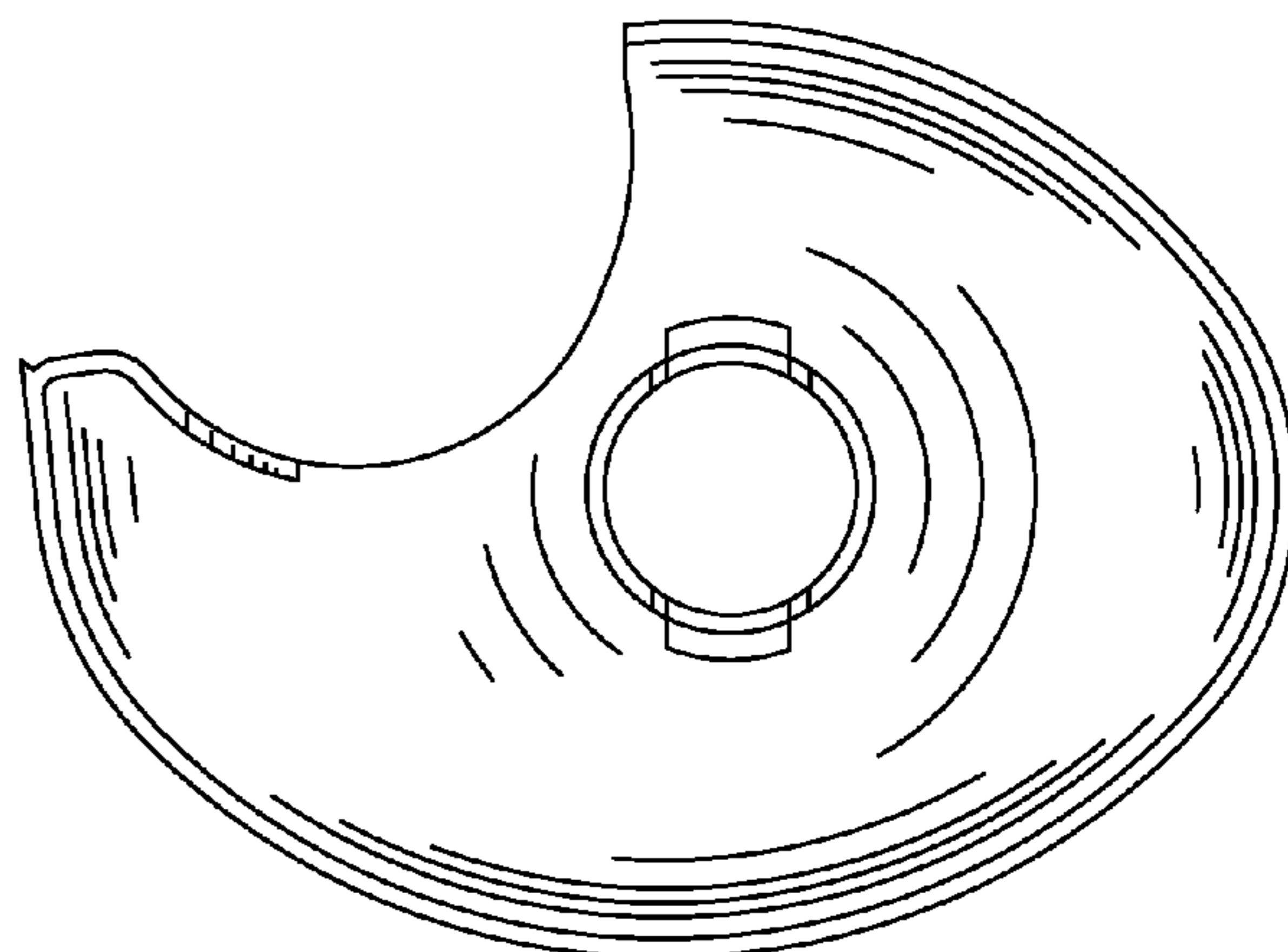
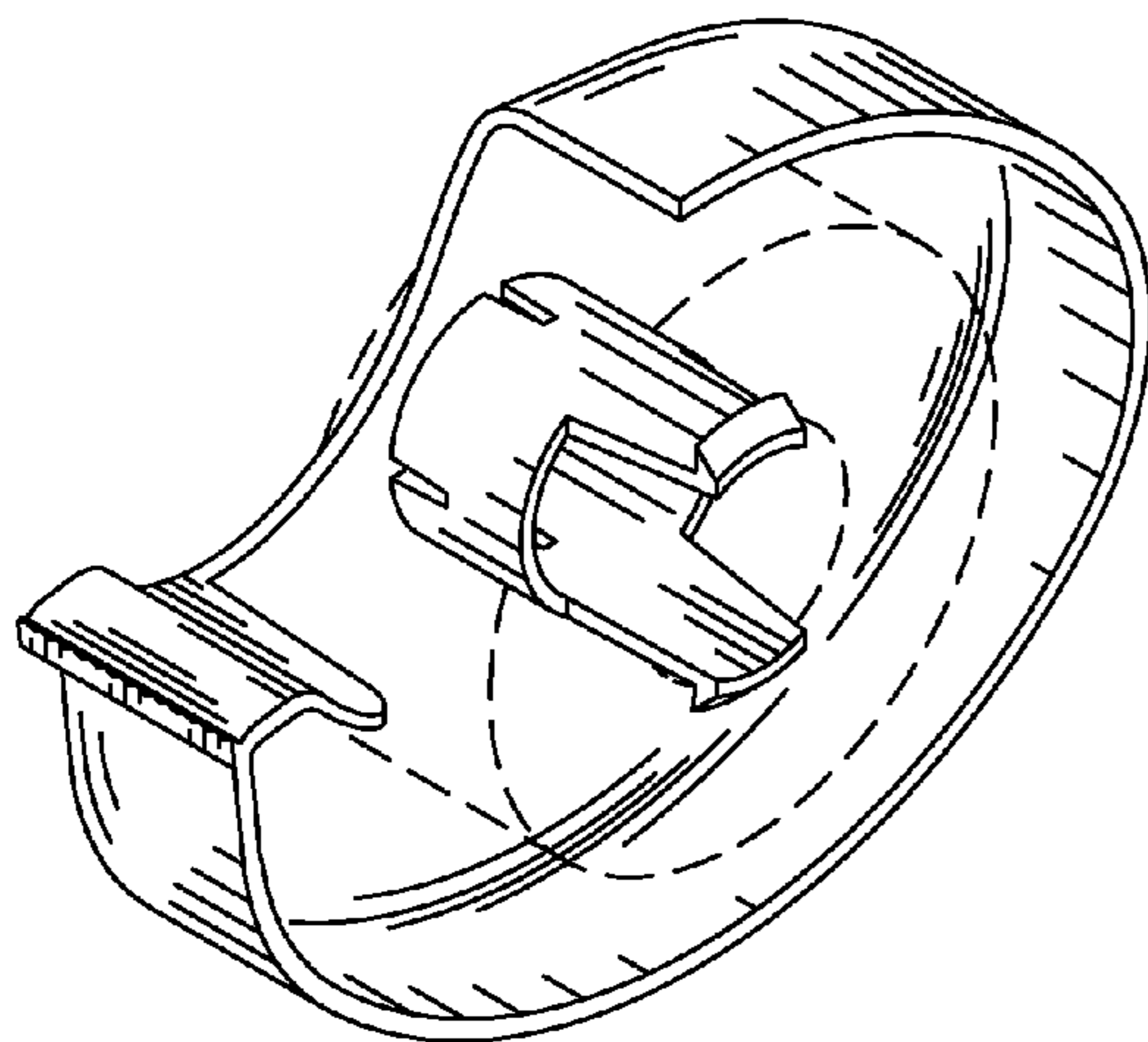
FIG. 5 is a rear elevational view thereof;

FIG. 6 is a top plan view thereof; and,

FIG. 7 is a bottom plan view thereof.

The broken lines showing a roll of tape in FIG. 1 are included for the purpose of illustrating the invention in use, and form no part of the claimed design.

1 Claim, 2 Drawing Sheets



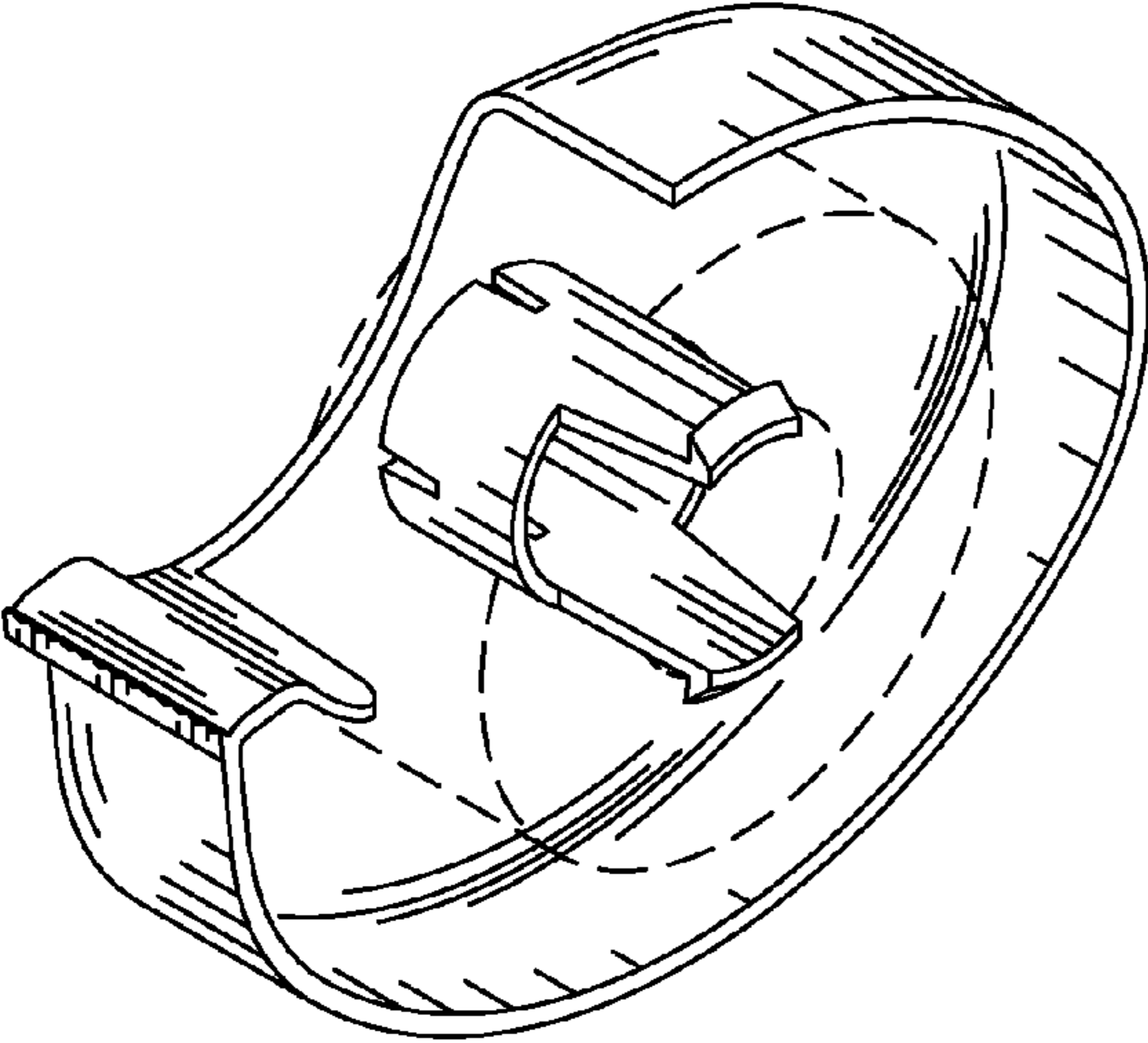


FIG. 1

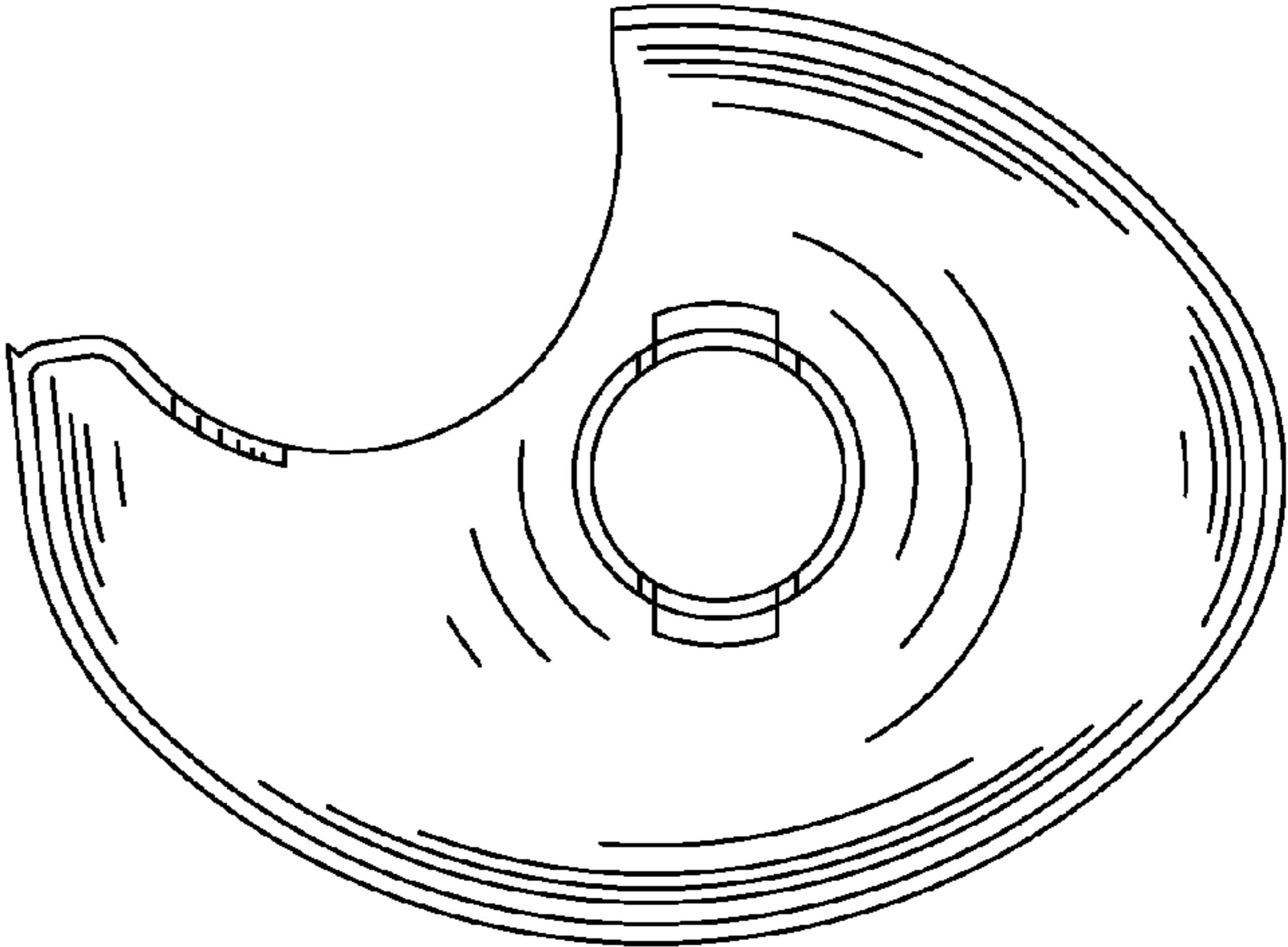


FIG. 2

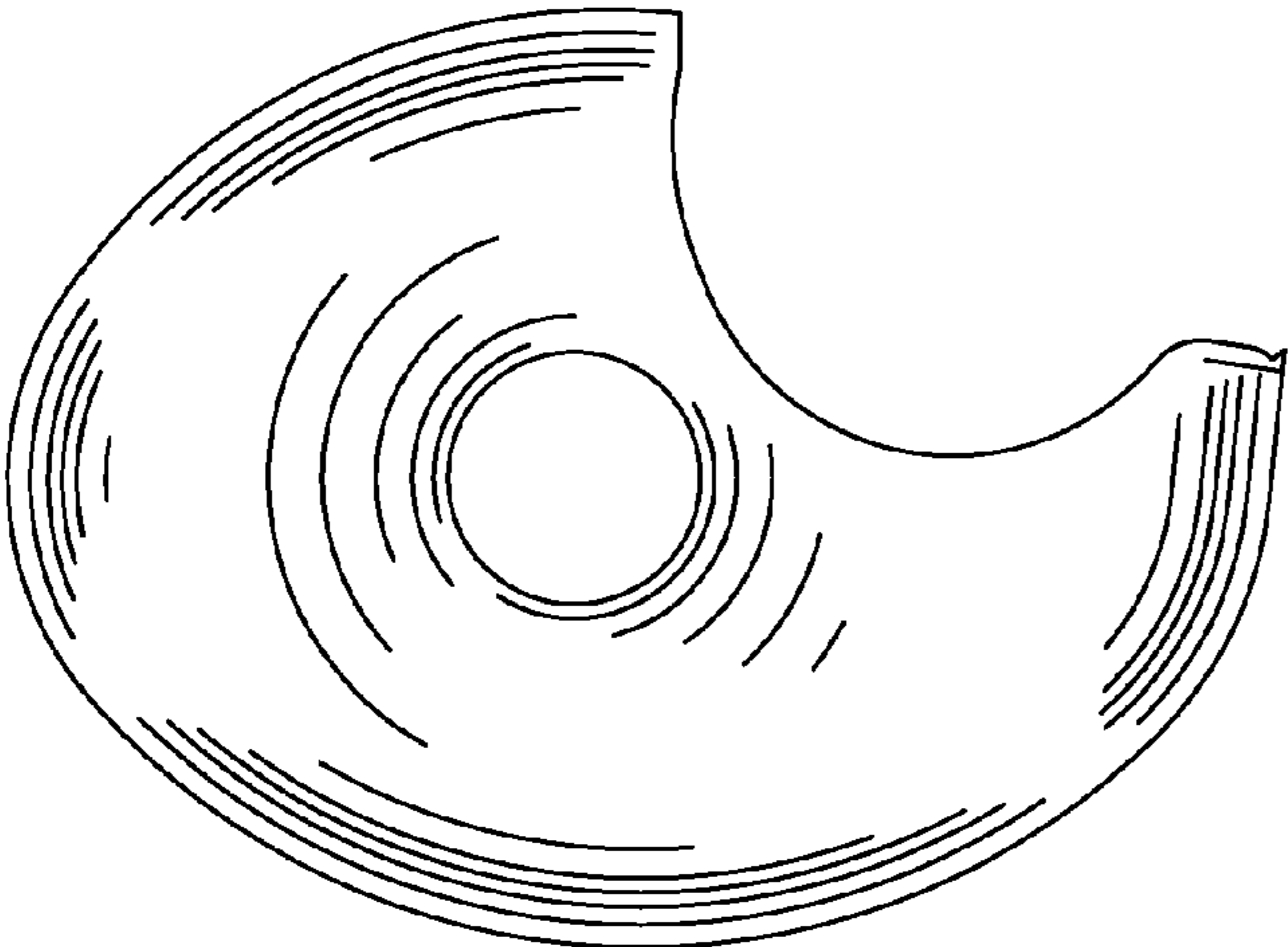


FIG. 3

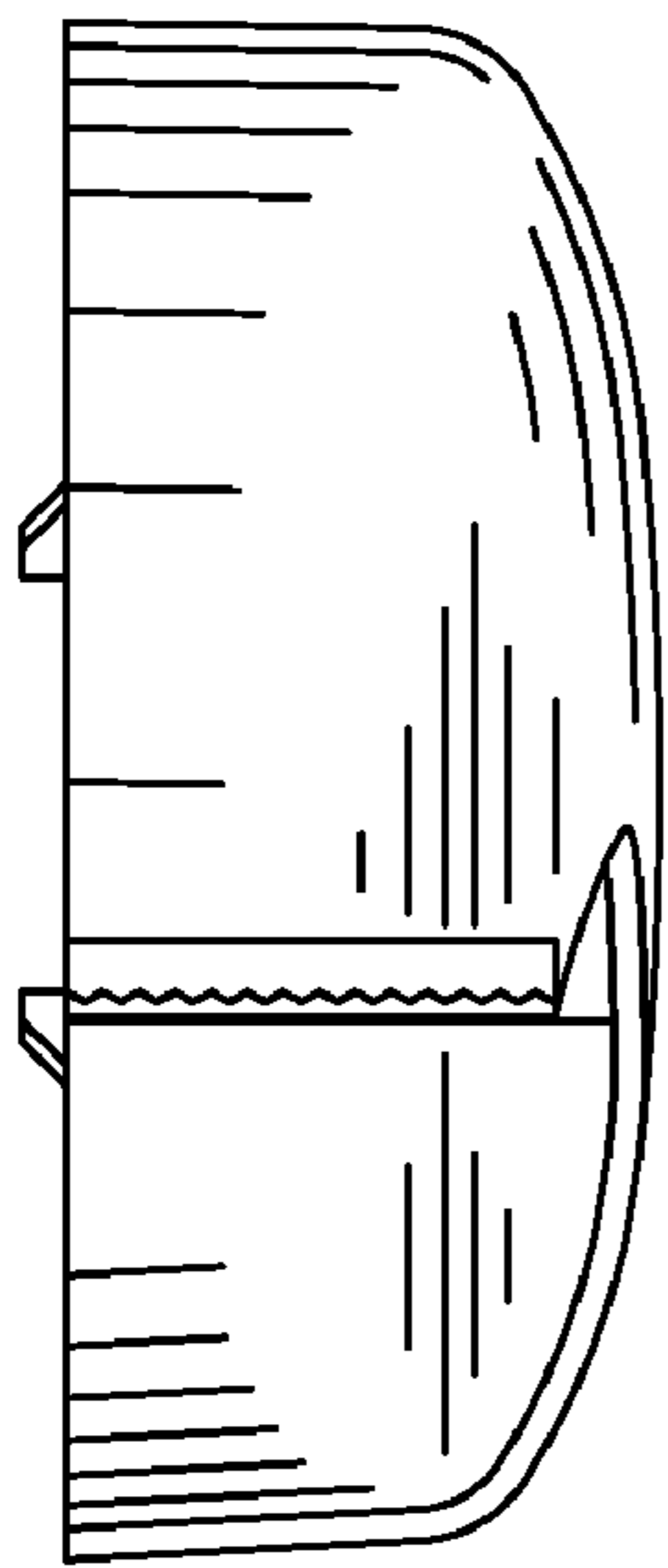


FIG. 4

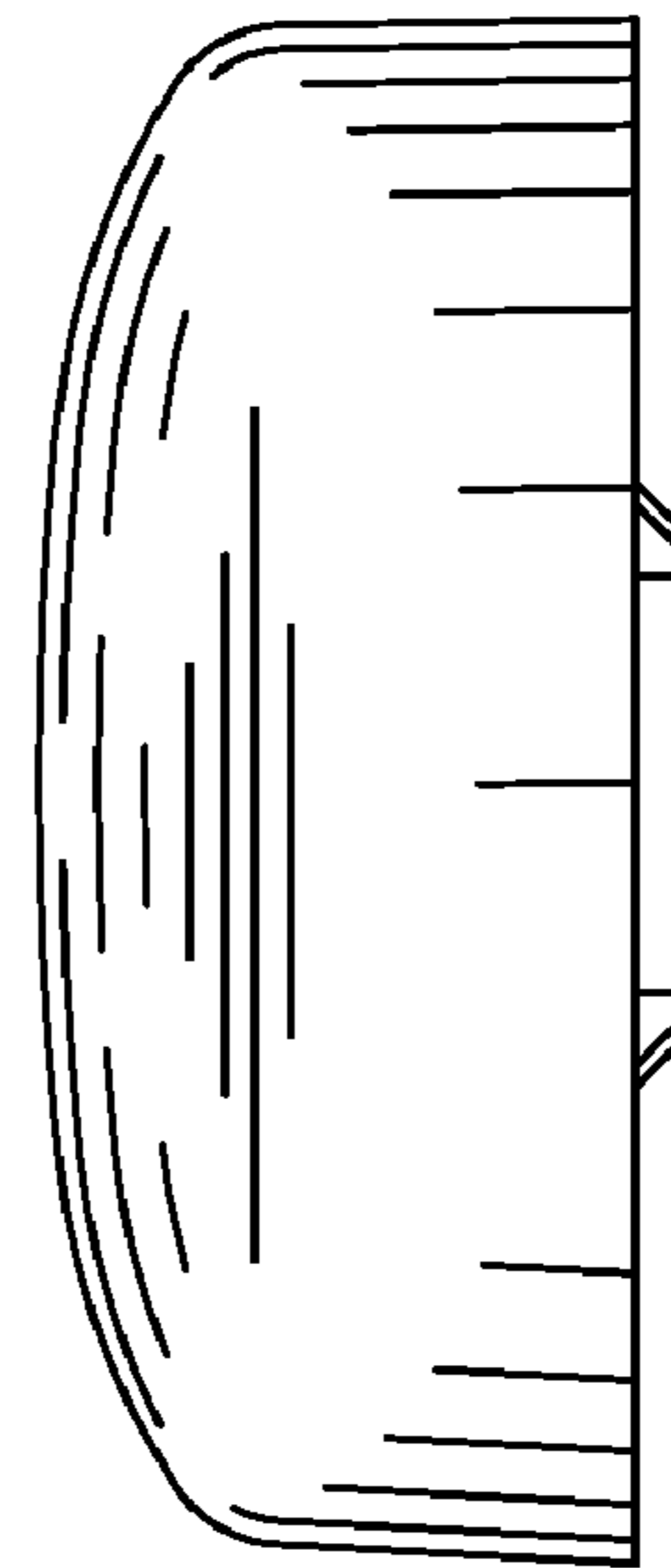


FIG. 5

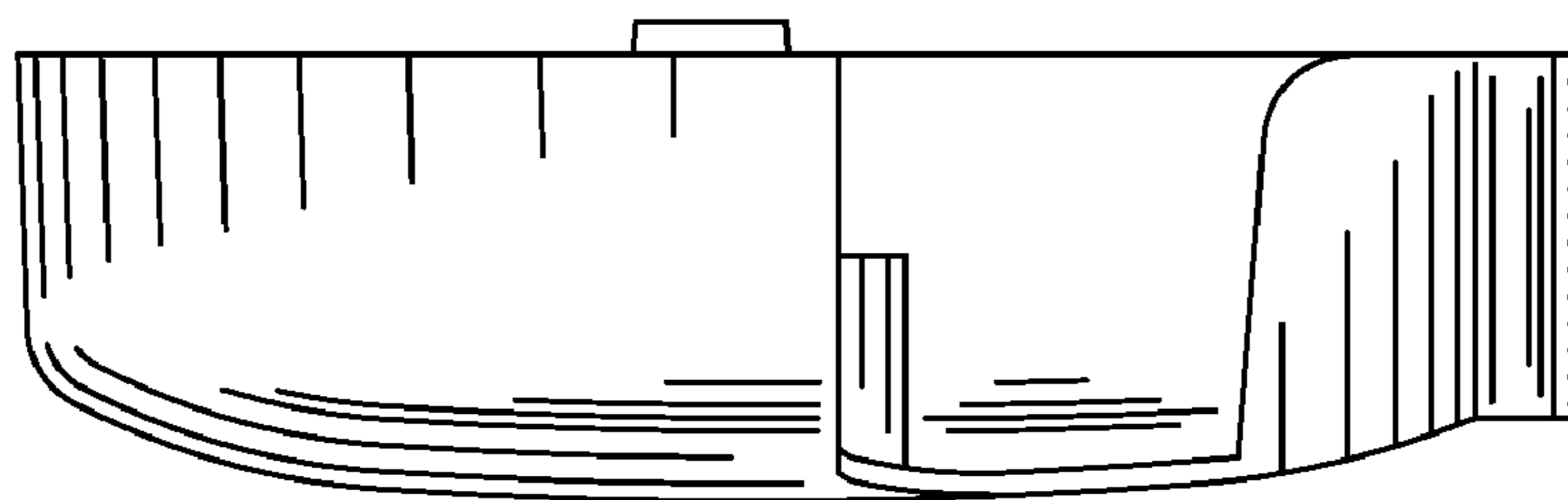


FIG. 6

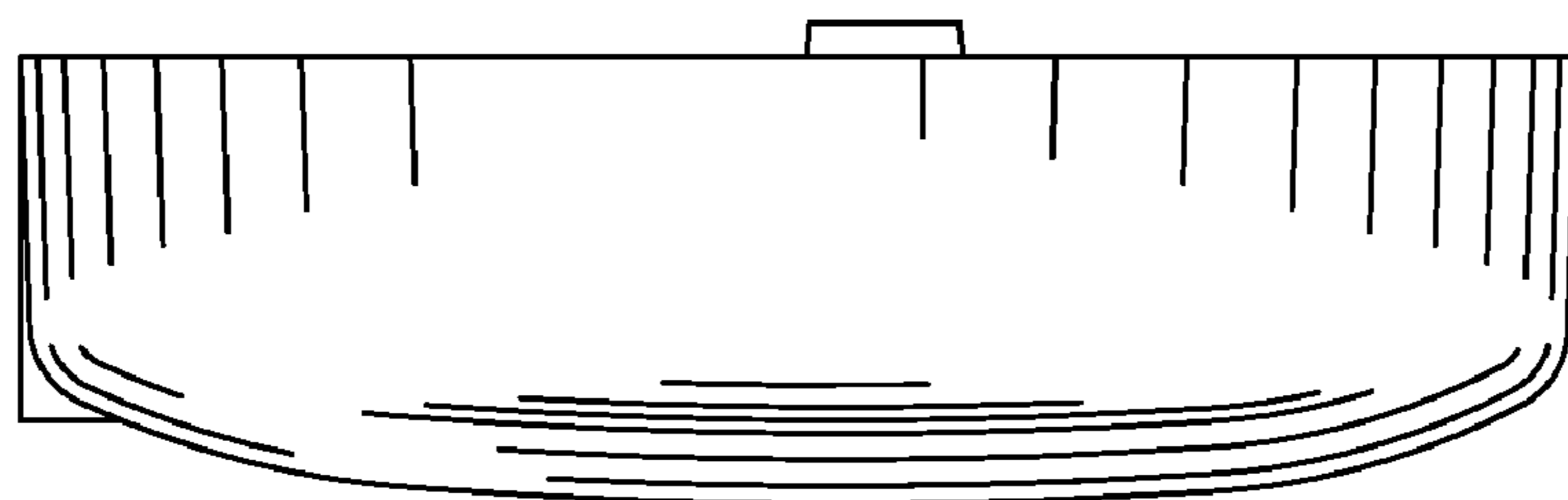


FIG. 7