



US00D615576S

(12) **United States Design Patent**
Takahashi et al.

(10) **Patent No.:** **US D615,576 S**

(45) **Date of Patent:** **** May 11, 2010**

(54) **PROJECTOR SCREEN**

(75) Inventors: **Ryusaku Takahashi**, Yokosuka (JP);
Masahiko Miyake, Yokohama (JP);
Takatsugu Aizaki, Yokohama (JP);
Hironobu Fukutomi, Yokosuka (JP);
Toshitaka Murata, Yokohama (JP);
Manabu Kobayashi, Saitama (JP)

(73) Assignee: **Victor Company of Japan, Limited**,
Yokohama-shi (JP)

(**) Term: **14 Years**

(21) Appl. No.: **29/311,037**

(22) Filed: **Dec. 12, 2008**

(30) **Foreign Application Priority Data**

Jul. 4, 2008 (JP) D2008-017353

(51) **LOC (9) Cl.** **16-05**

(52) **U.S. Cl.** **D16/241; D20/10**

(58) **Field of Classification Search** D16/241,
D16/242, 245; D20/10, 19, 42-43; D14/128-129,
D14/371, 374-376; 348/180, 184, 739, 744,
348/836; 359/443, 453, 449, 456, 460; 248/917-918,
248/920; 353/73-74, 78-79, 82, 94, 98-99,
353/119, 30

See application file for complete search history.

(56) **References Cited**

U.S. PATENT DOCUMENTS

D154,299 S * 6/1949 Morgan D20/10

D171,909 S * 4/1954 Nelson D20/10
D284,875 S * 7/1986 Howard D20/10
6,094,340 A * 7/2000 Min 248/917
D529,496 S * 10/2006 Chen et al. D14/375
D533,598 S * 12/2006 Sandmeyer et al. D20/10
D596,219 S * 7/2009 Tatara et al. D16/241
2009/0290127 A1 * 11/2009 Kobayashi et al. 353/30

* cited by examiner

Primary Examiner—Ian Simmons

Assistant Examiner—Wan Laymon

(74) *Attorney, Agent, or Firm*—The Nath Law Group; Jerald L. Meyer; Jiaxiao Zhang

(57) **CLAIM**

The ornamental design for a projector screen, as shown and described.

DESCRIPTION

FIG. 1 is a perspective view of a projector screen;

FIG. 2 is a front view thereof;

FIG. 3 is a rear view thereof;

FIG. 4 is a right side view thereof, a left side view being a mirror image thereof;

FIG. 5 is a top plan view thereof; and,

FIG. 6 is a bottom plan view thereof.

The broken lines showing on the drawing disclosure are for illustrative purposes only and form no part of the claimed design.

1 Claim, 5 Drawing Sheets

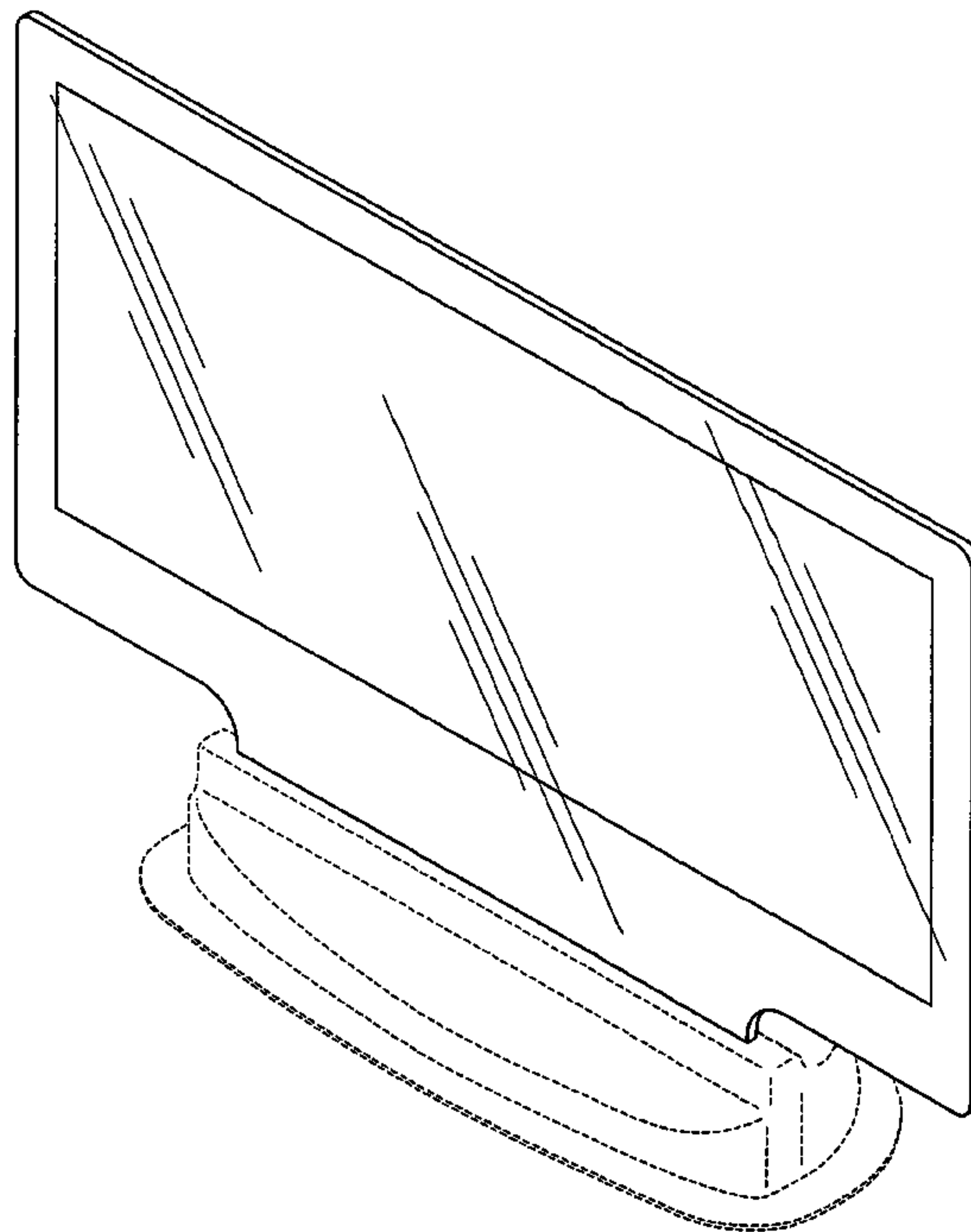


Fig.1

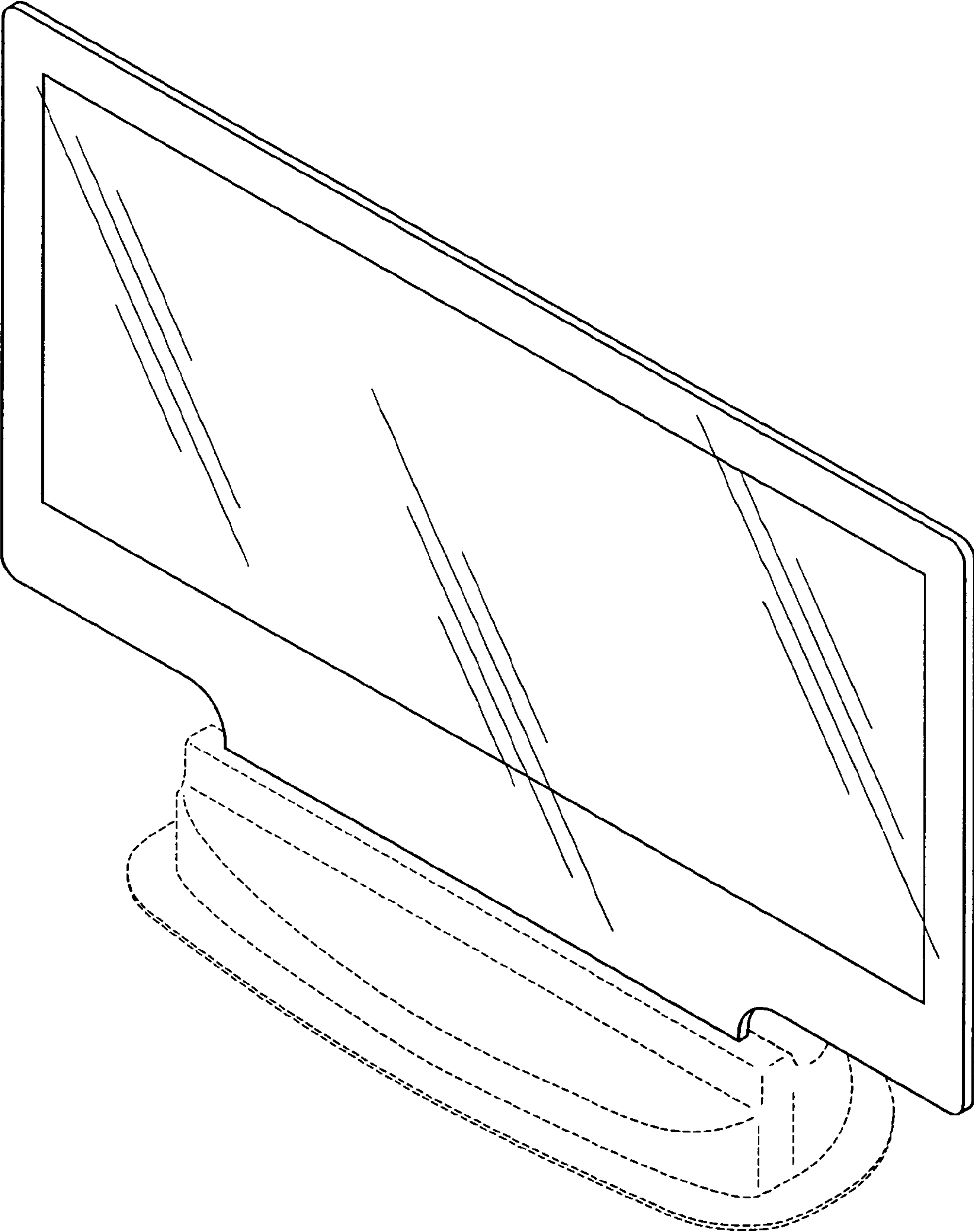


Fig.2

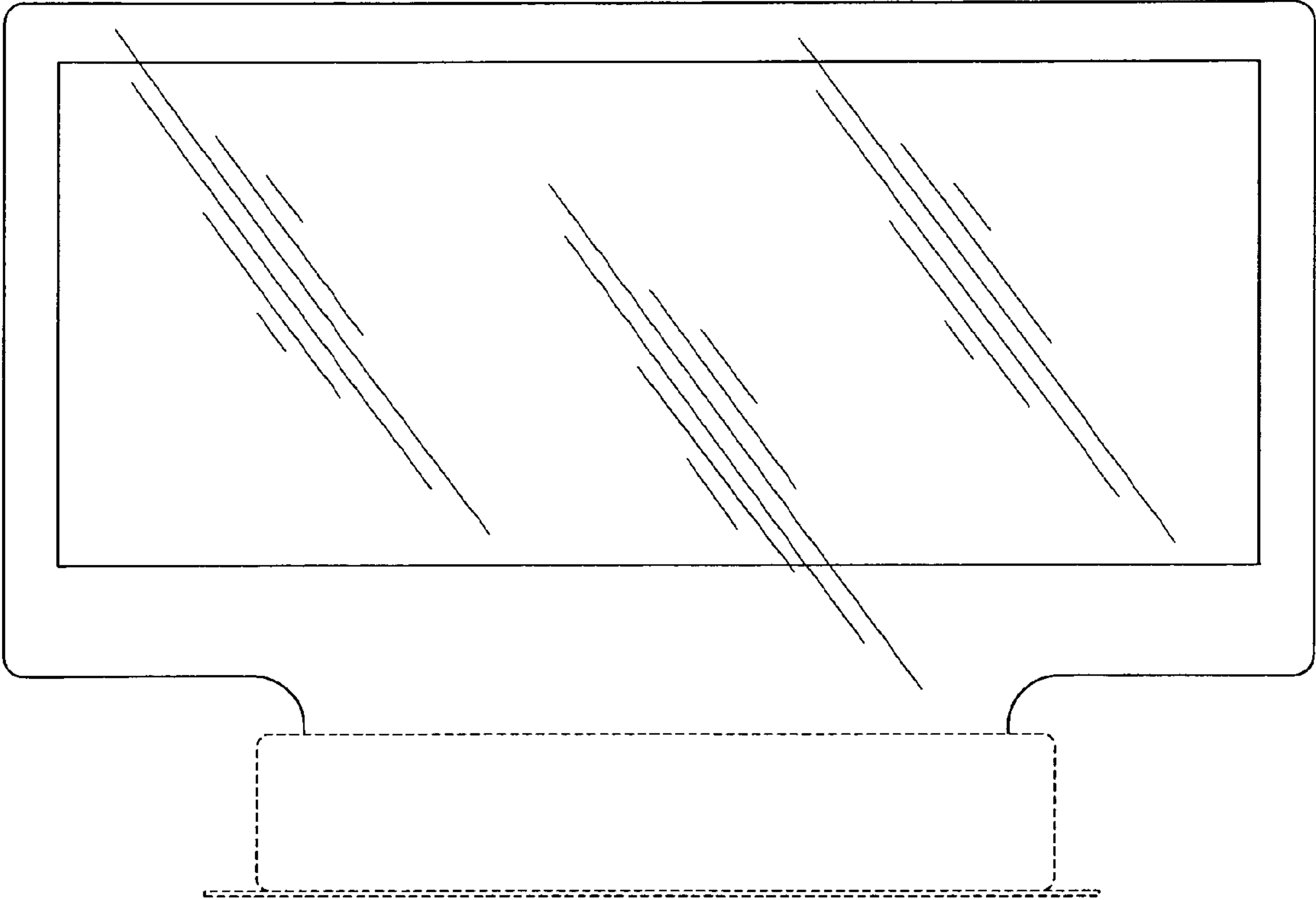


Fig.3

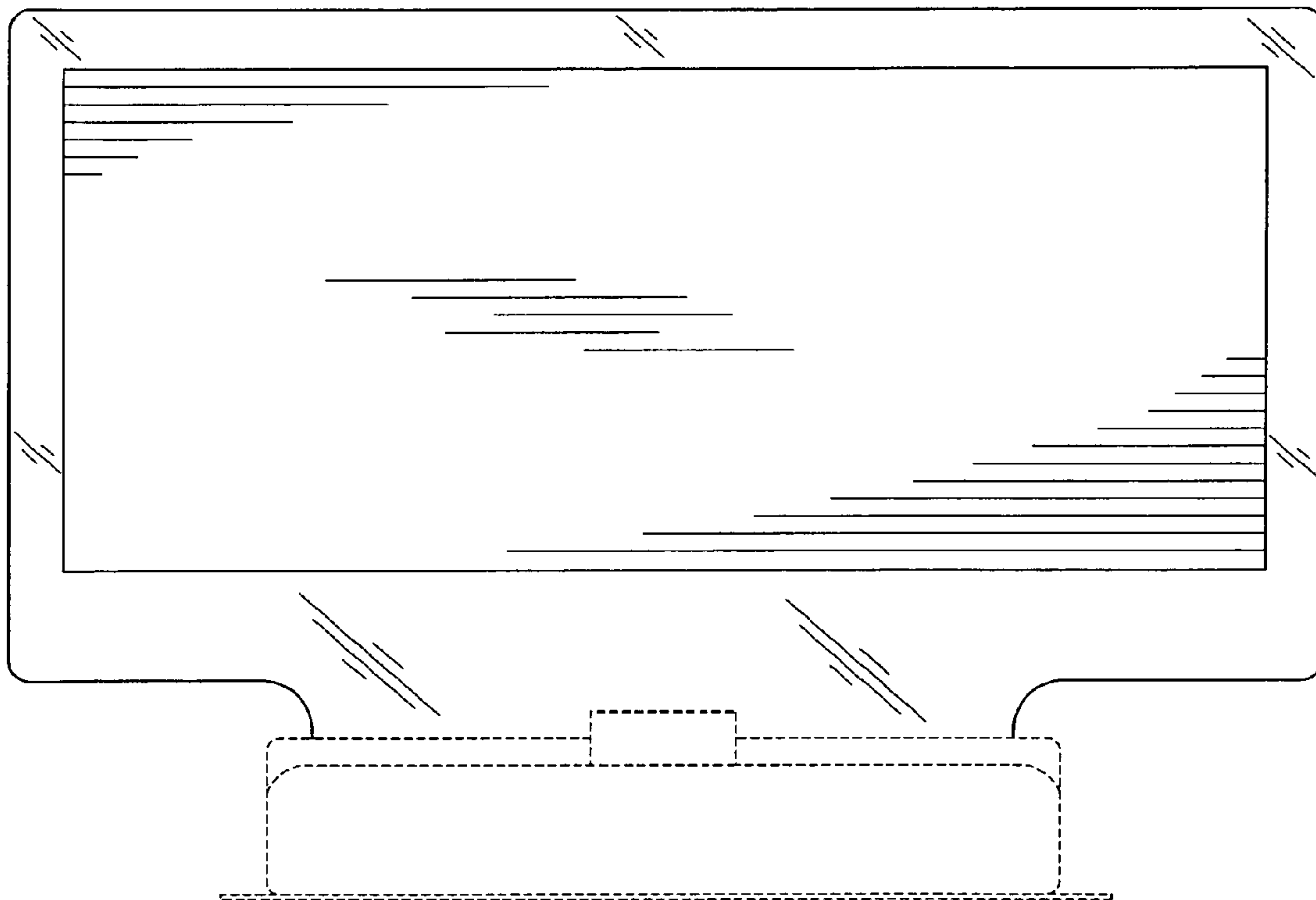


Fig.4

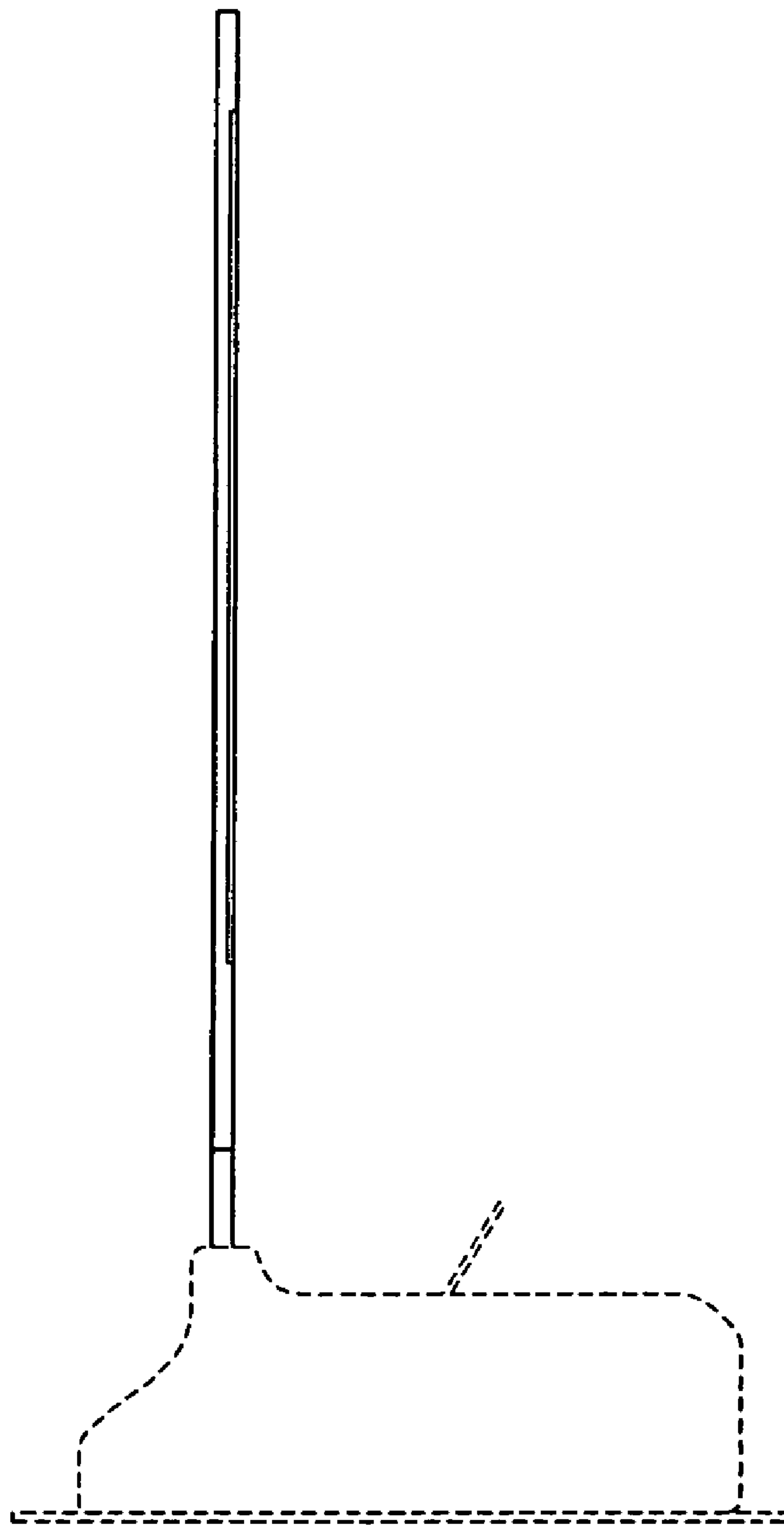


Fig.5

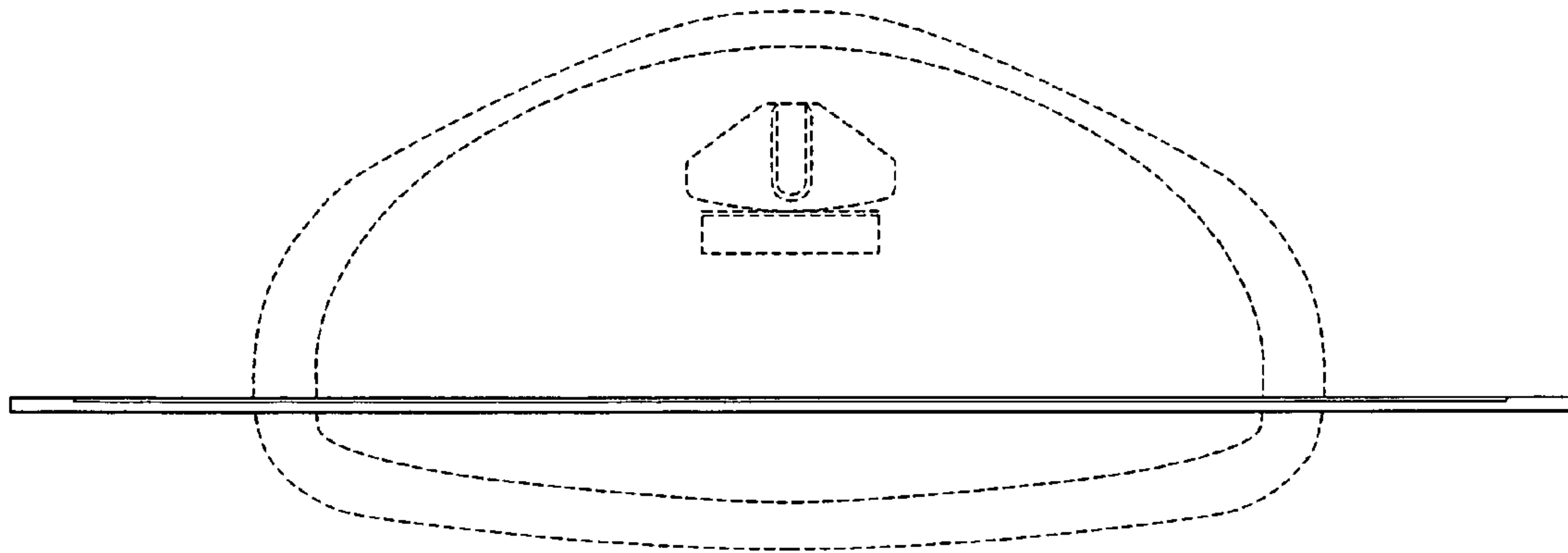


Fig.6

