



US00D615571S

(12) **United States Design Patent**
Pinchot

(10) **Patent No.:** **US D615,571 S**

(45) **Date of Patent:** **** May 11, 2010**

(54) **FEED FRAME**

6,619,649 B2 * 9/2003 Takamatsu 271/3.14

(75) Inventor: **James M. Pinchot**, Parma, OH (US)

* cited by examiner

(73) Assignee: **JMP Industries, Inc.**, Cleveland, OH (US)

Primary Examiner—Sandra Snapp

Assistant Examiner—Patricia Palasik

(**) Term: **14 Years**

(74) *Attorney, Agent, or Firm*—Fay Sharpe LLP; Brian E. Turung

(21) Appl. No.: **29/341,610**

(57) **CLAIM**

(22) Filed: **Aug. 10, 2009**

The ornamental design for a feed frame, as shown and described.

(51) **LOC (9) Cl.** **15-09**

(52) **U.S. Cl.** **D15/138**

(58) **Field of Classification Search** D15/138,
D15/140; 198/525; 425/218, 345, 353, 447,
425/576

See application file for complete search history.

DESCRIPTION

FIG. 1 is an elevation view of a feed frame showing my new design;

FIG. 2 is a bottom view of the feed frame of FIG. 1;

FIG. 3 is a side view of the feed frame of FIG. 1; and,

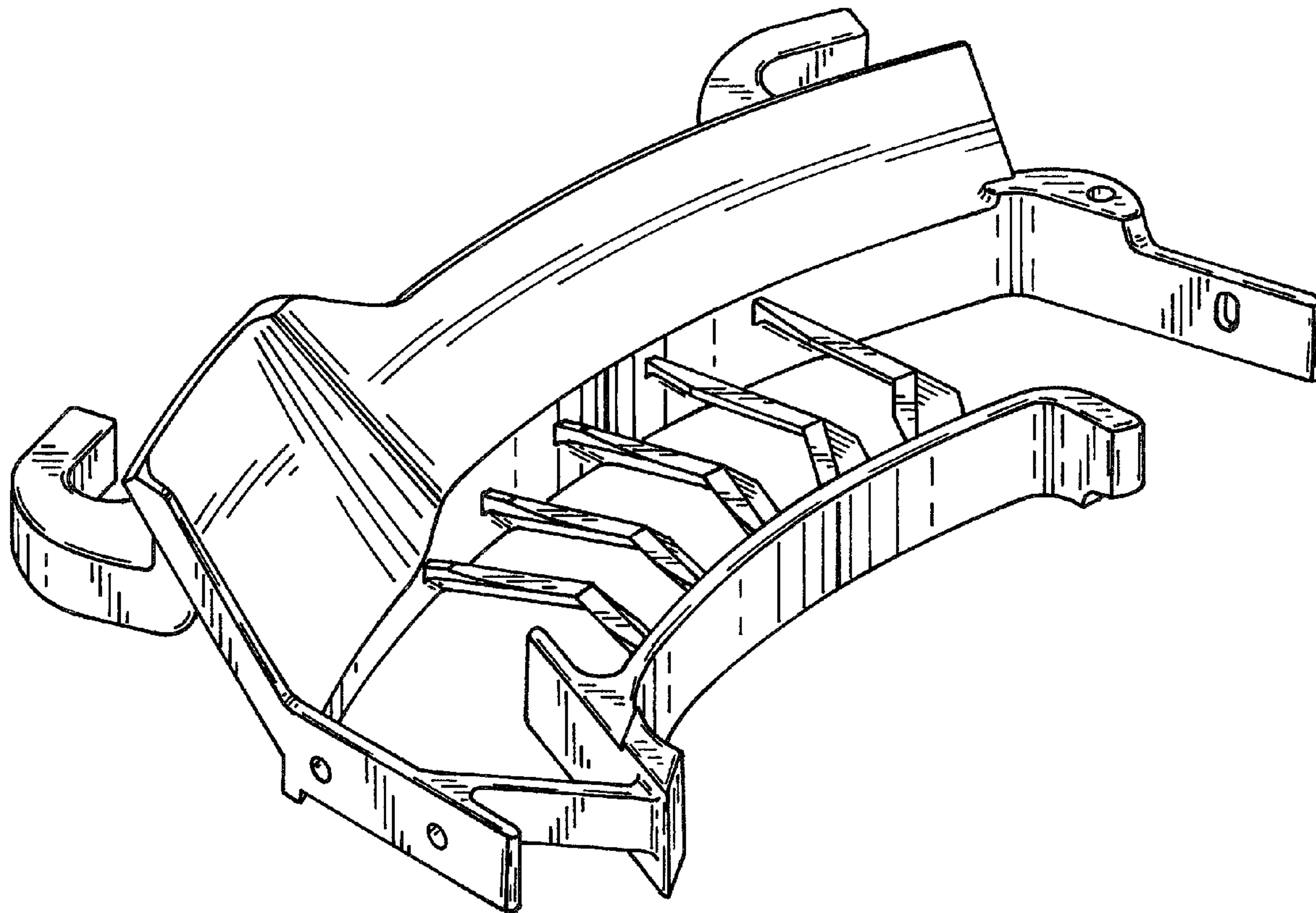
FIG. 4 is a back view of the feed frame of FIG. 1.

(56) **References Cited**

U.S. PATENT DOCUMENTS

5,959,737 A * 9/1999 Kaminaga et al. 356/430

1 Claim, 3 Drawing Sheets



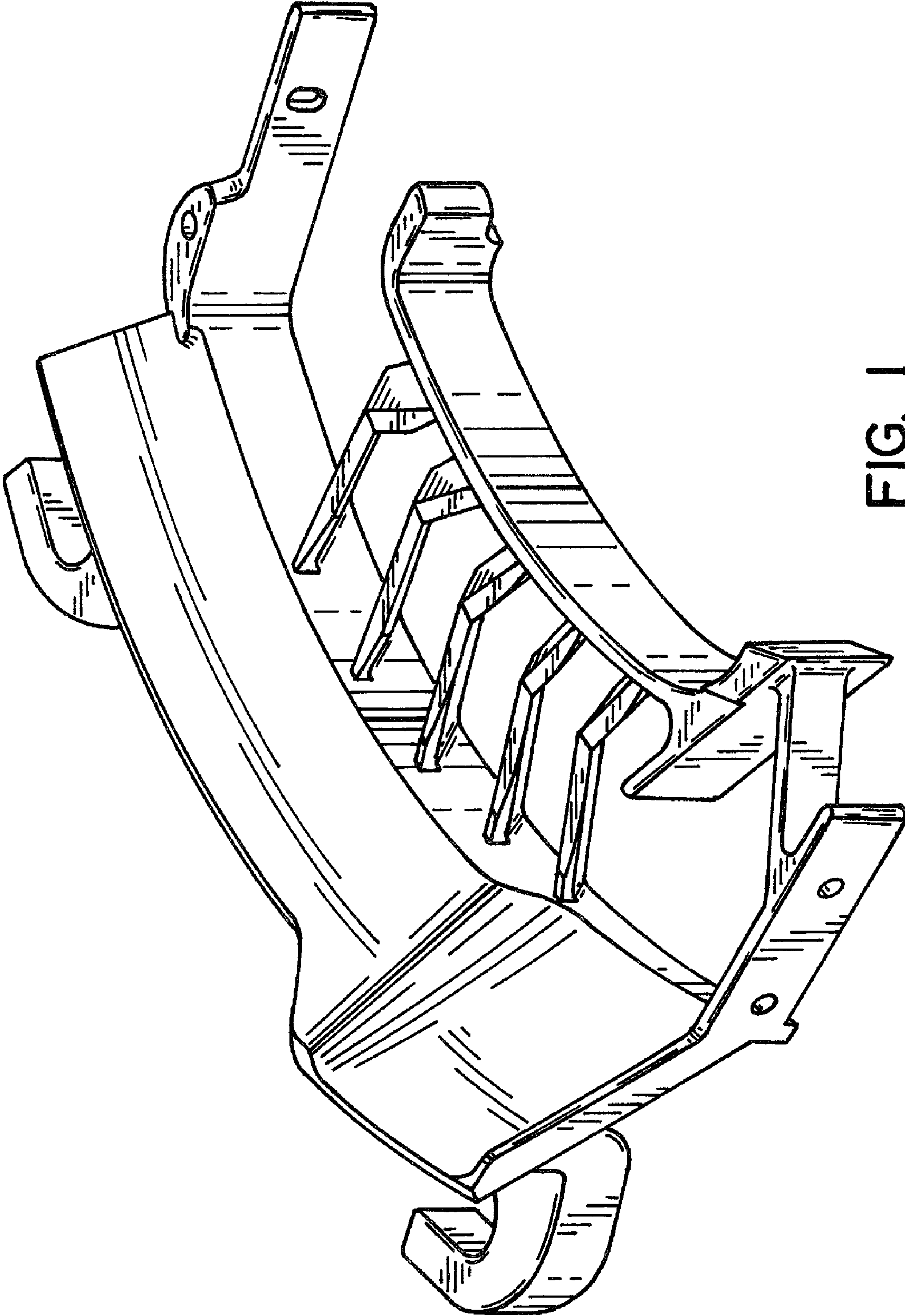


FIG. 1

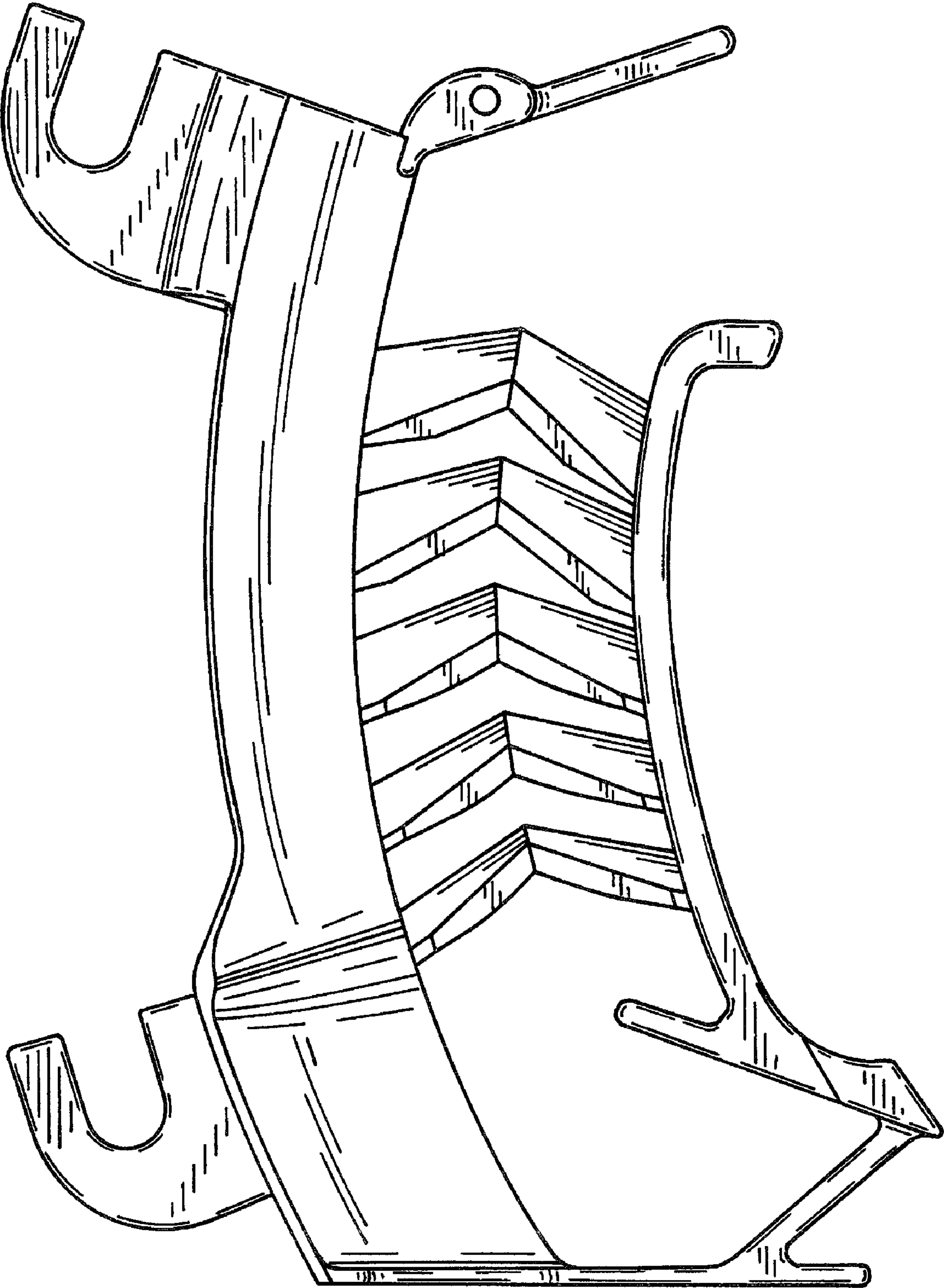


FIG. 2

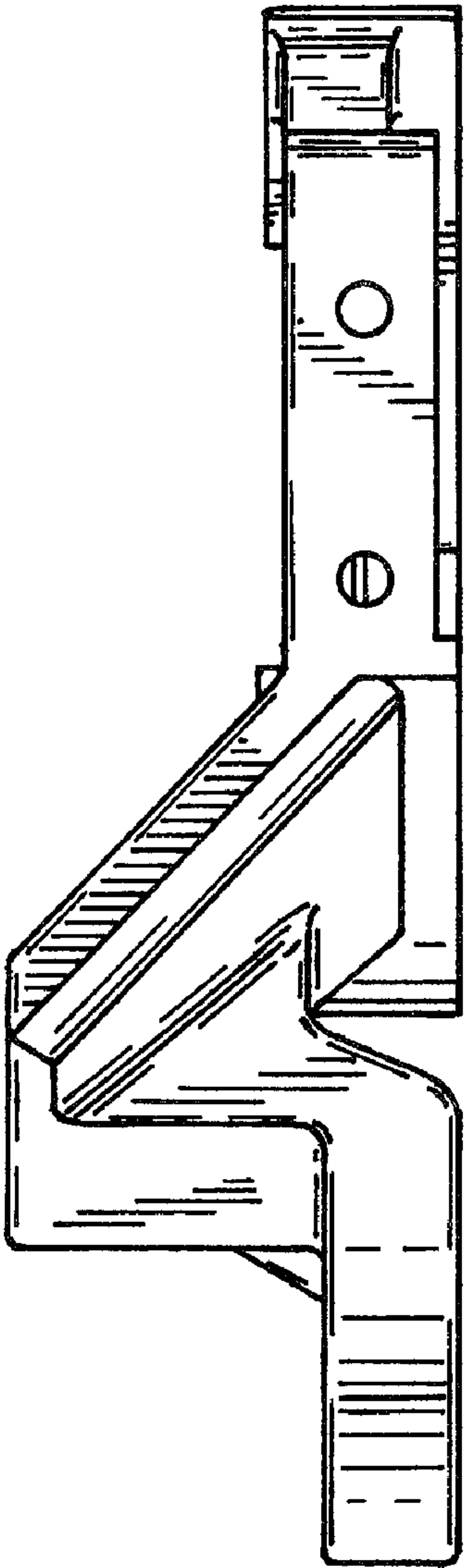


FIG. 3

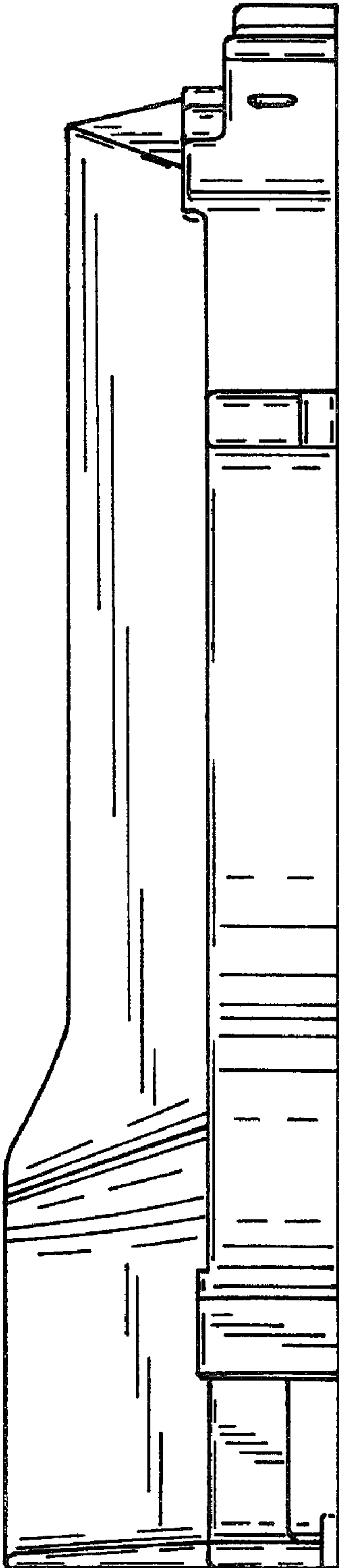


FIG. 4