



US00D615569S

(12) **United States Design Patent**  
**Greenleaf**

(10) **Patent No.:** **US D615,569 S**

(45) **Date of Patent:** **\*\* May 11, 2010**

(54) **PUNCH**

(76) Inventor: **Richard J. Greenleaf**, 14 Ocean St.,  
Manchester-by-the-Sea, MA (US) 01944

(\*\*) Term: **14 Years**

(21) Appl. No.: **29/286,406**

(22) Filed: **May 4, 2007**

(51) **LOC (9) Cl.** ..... **15-09**

(52) **U.S. Cl.** ..... **D15/128**

(58) **Field of Classification Search** ..... D8/98;  
D15/128; D19/65, 72; 29/240, 256, 264;  
30/366, 367; 279/1 E, 96, 100, 101, 102;  
403/16

See application file for complete search history.

(56) **References Cited**

U.S. PATENT DOCUMENTS

268,112	A *	11/1882	Mack	.....	359/425
1,510,732	A *	10/1924	Wollensak	.....	359/425
1,935,561	A *	11/1933	Hooley	.....	174/82
2,013,758	A *	9/1935	Livermore	.....	72/330
2,899,050	A *	8/1959	Collins, Jr.	.....	206/719
3,243,500	A *	3/1966	Rabinowitz	.....	174/84 R
3,917,429	A *	11/1975	Ertley	.....	408/227
4,317,868	A *	3/1982	Spiegelberg	.....	429/82
D264,856	S *	6/1982	Nottingham et al.	.....	D21/403
4,355,466	A *	10/1982	Quiring	.....	30/358
D287,136	S *	12/1986	Murray, Jr.	.....	D16/132
D294,000	S *	2/1988	Friedrich	.....	D8/47
4,762,043	A *	8/1988	Sneed	.....	83/688
D300,404	S *	3/1989	Lauer	.....	D8/98
D305,128	S *	12/1989	Tsuji	.....	D16/132
5,017,157	A *	5/1991	Liu et al.	.....	439/609
D342,749	S *	12/1993	Dhuruvasangary et al.	.....	D16/132
5,299,067	A *	3/1994	Kutz et al.	.....	359/827
5,458,026	A *	10/1995	Southard et al.	.....	81/53.1
5,529,429	A *	6/1996	Pelegrin	.....	404/9
5,617,257	A *	4/1997	Sheehy et al.	.....	359/818
D393,657	S *	4/1998	Bennett	.....	D19/72

D397,725	S *	9/1998	Mori	.....	D19/72
5,927,161	A *	7/1999	Clifford et al.	.....	81/177.2
D412,816	S *	8/1999	Thingvold	.....	D8/1
5,951,925	A *	9/1999	Mucciacciaro	.....	264/40.5
D444,693	S *	7/2001	Griese et al.	.....	D8/107
6,267,527	B1 *	7/2001	Miller	.....	403/292
D446,816	S *	8/2001	Hsuan	.....	D19/72
D456,700	S *	5/2002	Miller et al.	.....	D8/382
D458,308	S *	6/2002	Hsuan	.....	D19/72
D497,113	S *	10/2004	Kawamura	.....	D10/66
6,871,681	B2 *	3/2005	Miller	.....	144/347
D518,178	S *	3/2006	Christiansen	.....	D24/147
D526,667	S *	8/2006	Sakamoto et al.	.....	D15/128
7,102,817	B1 *	9/2006	Wu	.....	359/384
D571,681	S *	6/2008	Radecke et al.	.....	D10/80
2003/0075034	A1 *	4/2003	Brenneke	.....	83/684
2004/0081782	A1 *	4/2004	Stavnes et al.	.....	428/36.3

\* cited by examiner

*Primary Examiner*—Sandra Snapp

*Assistant Examiner*—Patricia Palasik

(74) *Attorney, Agent, or Firm*—Don Halgren

(57) **CLAIM**

The ornamental design for a punch, as shown and described.

**DESCRIPTION**

FIG. 1 is a perspective view of the punch of the present invention;

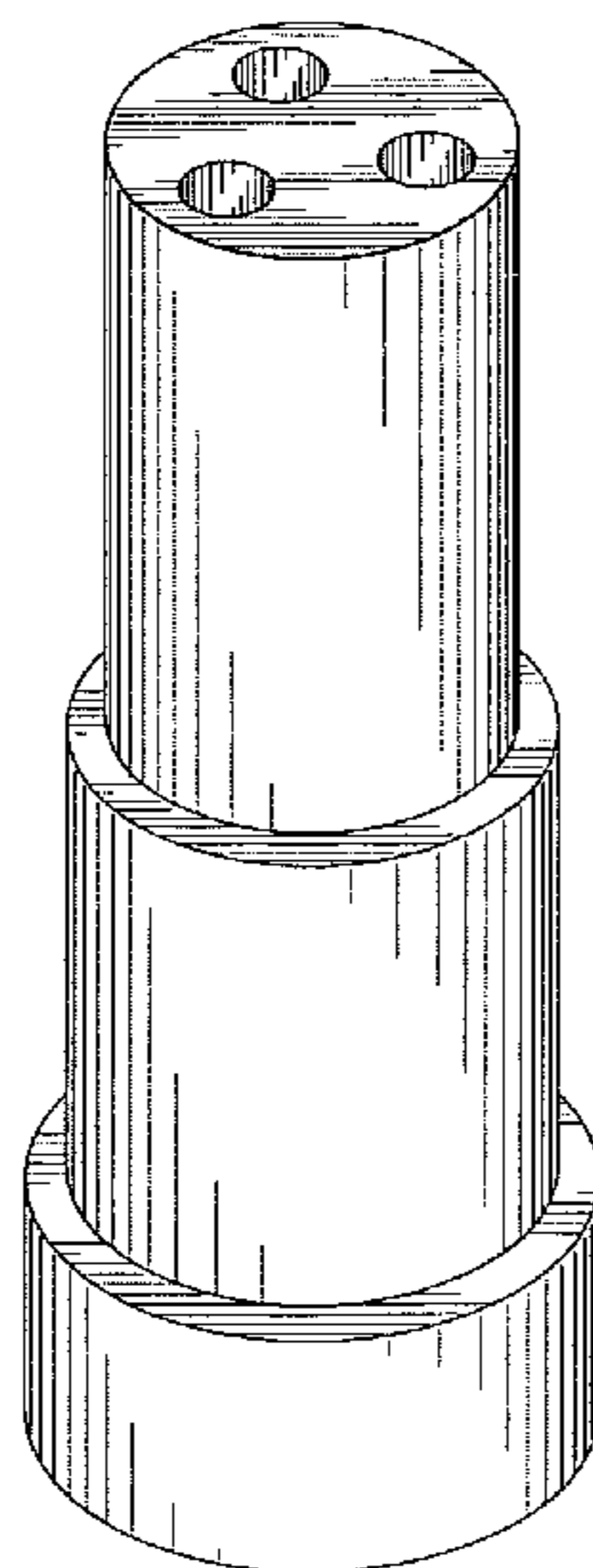
FIG. 2 is a side elevational view of the punch of the present invention, which side view is common to all sides of said design;

FIG. 3 is a top plan view of the punch of the present invention; and,

FIG. 4 is a bottom plan view of the punch of the present invention.

Any broken line showing of the punch is included for the purpose of illustrating portions of the punch and forms no part of the claimed design.

**1 Claim, 2 Drawing Sheets**



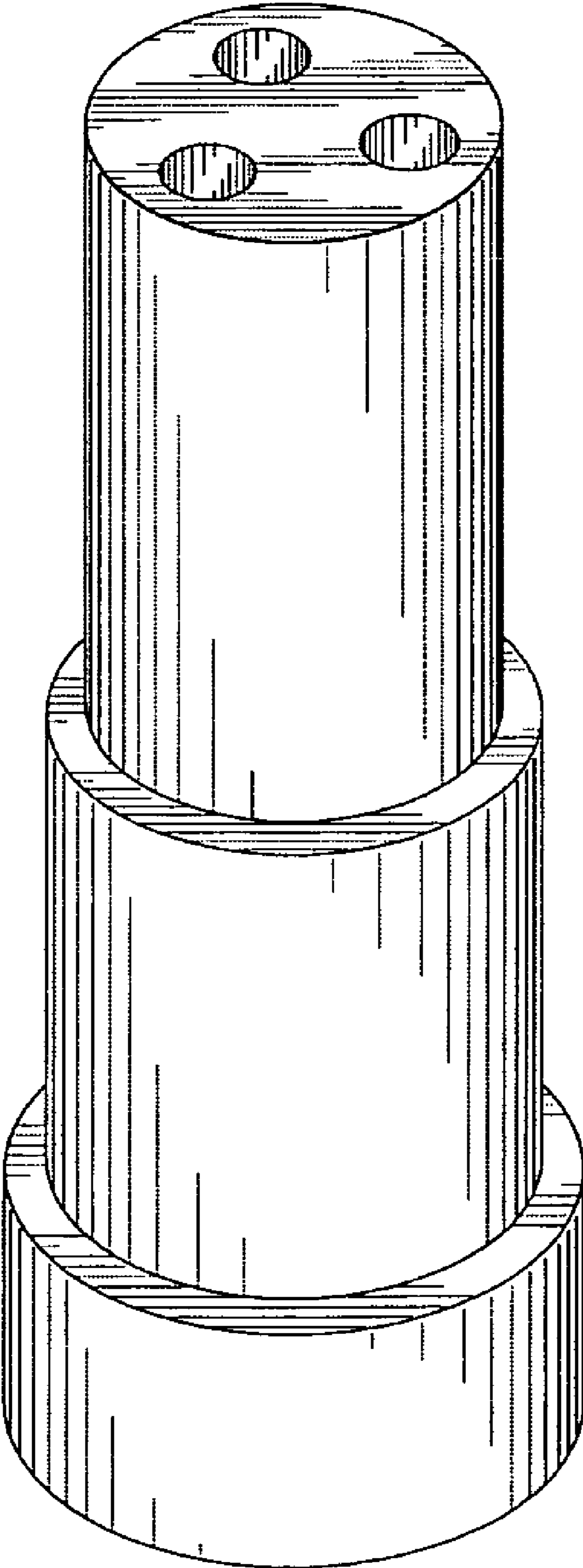


Fig. 1

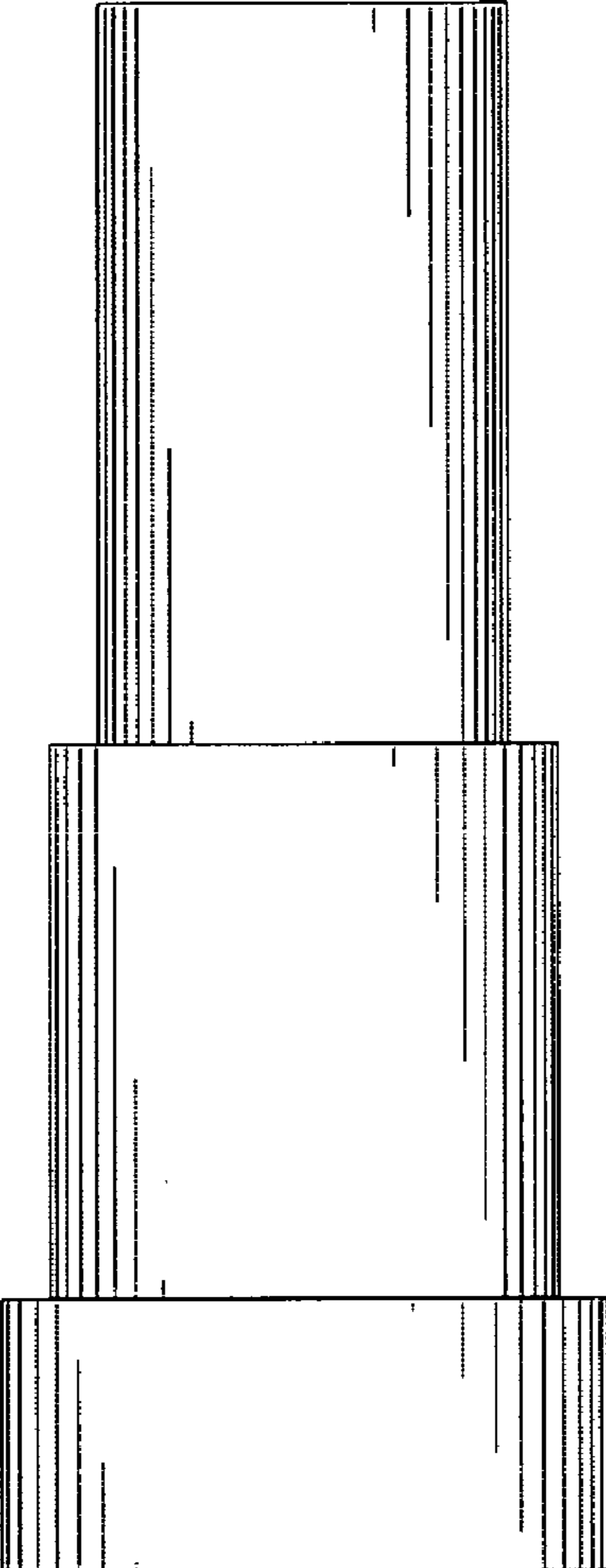


Fig. 2

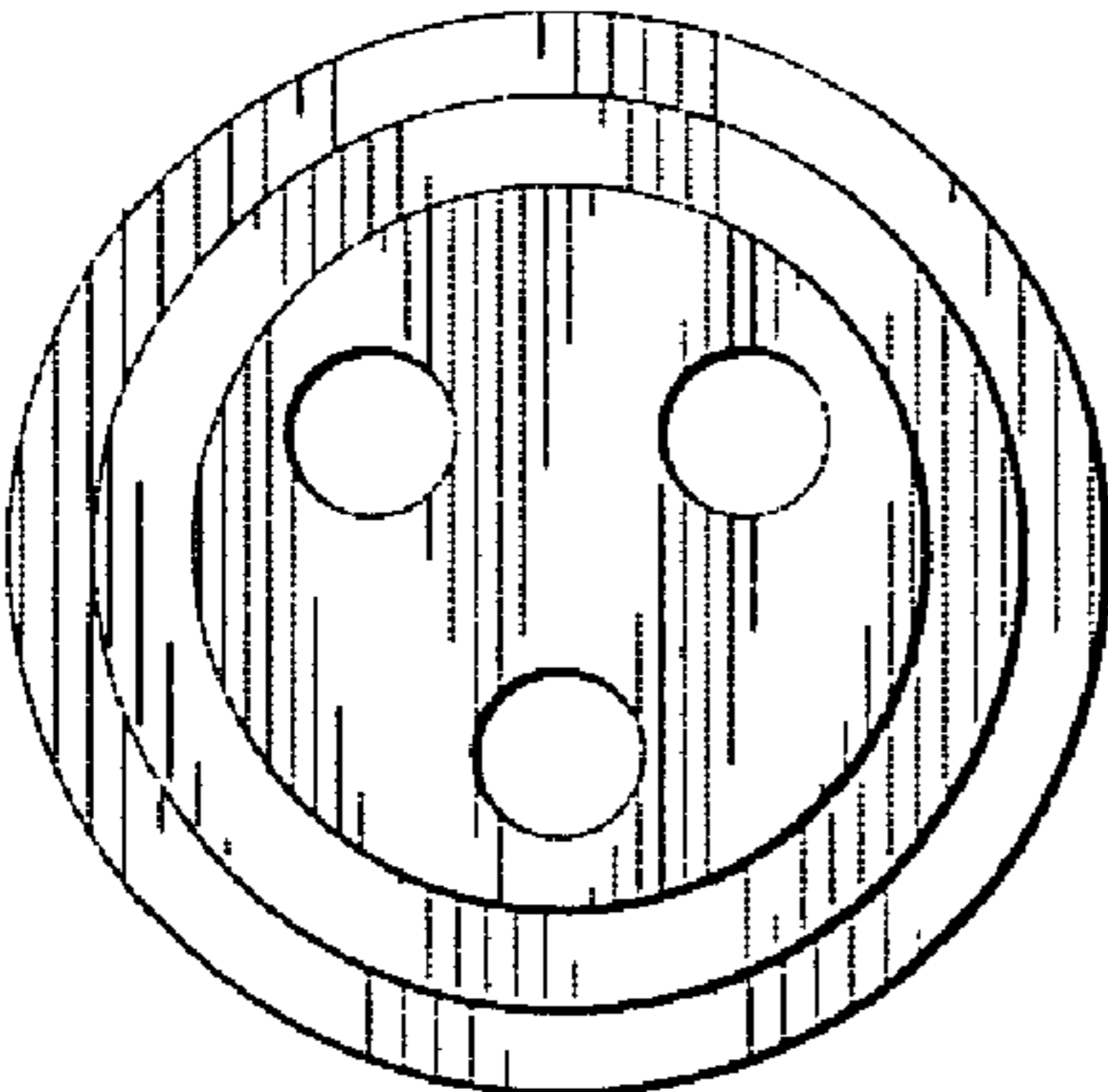


Fig. 3

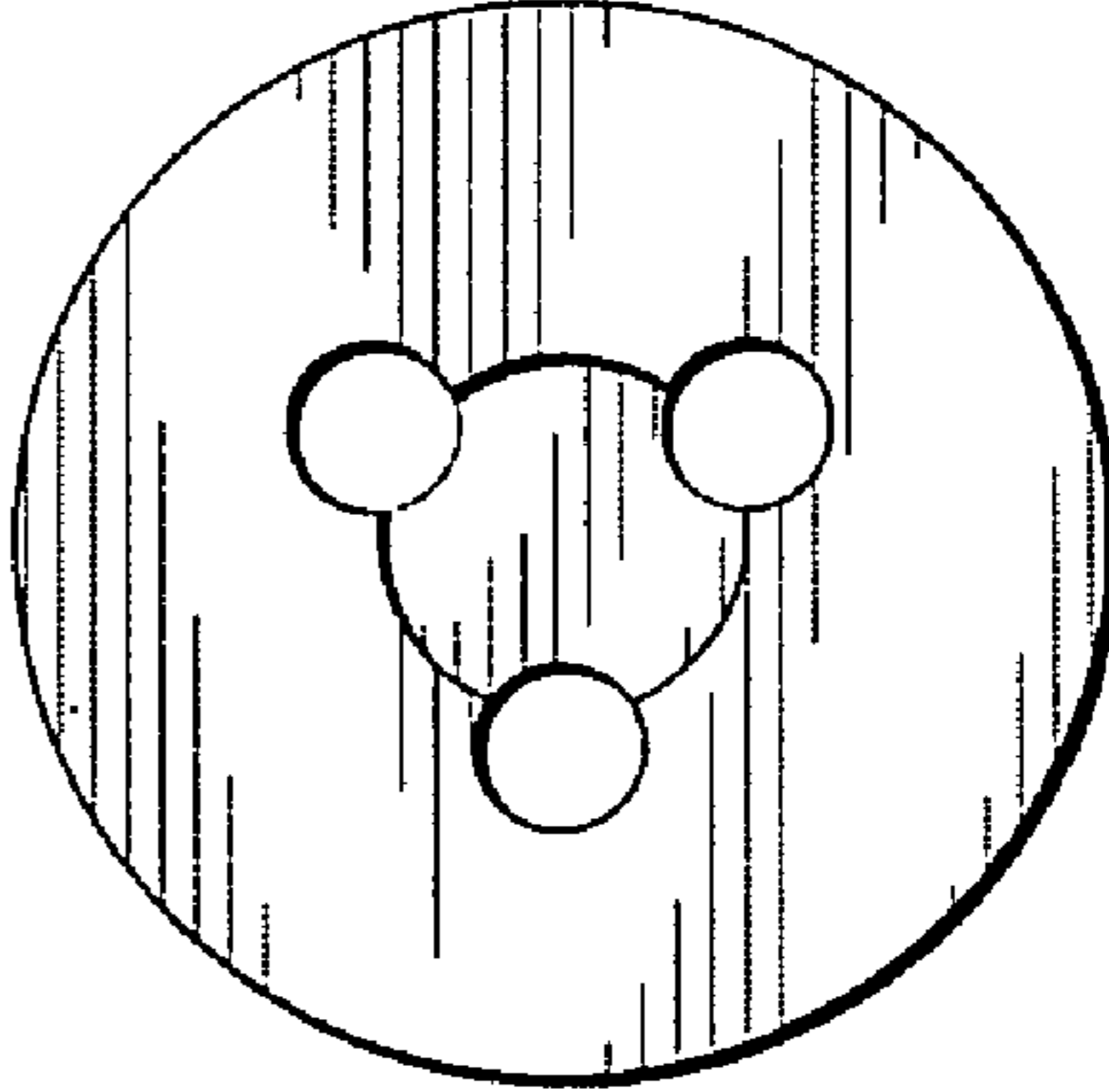


Fig. 4