



US00D615566S

(12) **United States Design Patent**
Curtis et al.

(10) **Patent No.:** **US D615,566 S**

(45) **Date of Patent:** **** May 11, 2010**

(54) **PORTION OF AN APPLIANCE**

(75) Inventors: **Brent Curtis**, Anderson, SC (US);
Chuck Baker, Anderson, SC (US);
Caleb Gossens, Anderson, SC (US)

(73) Assignee: **Electrolux Home Products, Inc.**,
Cleveland, OH (US)

(**) Term: **14 Years**

(21) Appl. No.: **29/340,149**

(22) Filed: **Jul. 14, 2009**

(51) **LOC (9) Cl.** **15-07**

(52) **U.S. Cl.** **D15/89; D15/91**

(58) **Field of Classification Search** D15/79,
D15/81, 85, 86, 87, 88, 89, 91; 62/3.6, 3.63,
62/3.64, 98, 275, 293, 331, 344, 371, 440-445,
62/467; 312/112-119, 236, 400-408; 141/351
See application file for complete search history.

(56) **References Cited**

U.S. PATENT DOCUMENTS

5,033,273 A * 7/1991 Buchser et al. 62/344
5,269,154 A * 12/1993 Schmidt 62/275
D365,579 S * 12/1995 Baker et al. D15/89
5,474,213 A * 12/1995 Unger D15/89
D367,659 S * 3/1996 Baker et al. D15/89
5,526,854 A * 6/1996 Unger 141/351

6,651,449 B2 * 11/2003 Heims et al. 62/98
D518,076 S * 3/2006 Quinlan et al. D15/89
D523,878 S * 6/2006 Quinlan et al. D15/89
D568,913 S * 5/2008 Suh et al. D15/89
D569,399 S * 5/2008 Crookshanks et al. D15/89
D582,443 S * 12/2008 Kim et al. D15/89
D589,988 S * 4/2009 Martin et al. D15/89

* cited by examiner

Primary Examiner—Shanda C Hill

(74) *Attorney, Agent, or Firm*—Banner & Witcoff, Ltd.

(57) **CLAIM**

The ornamental design for a portion of an appliance, as shown and described.

DESCRIPTION

FIG. 1 is a front perspective view of a portion of an appliance showing our new design;

FIG. 2 is a front view thereof;

FIG. 3 is a left side view thereof;

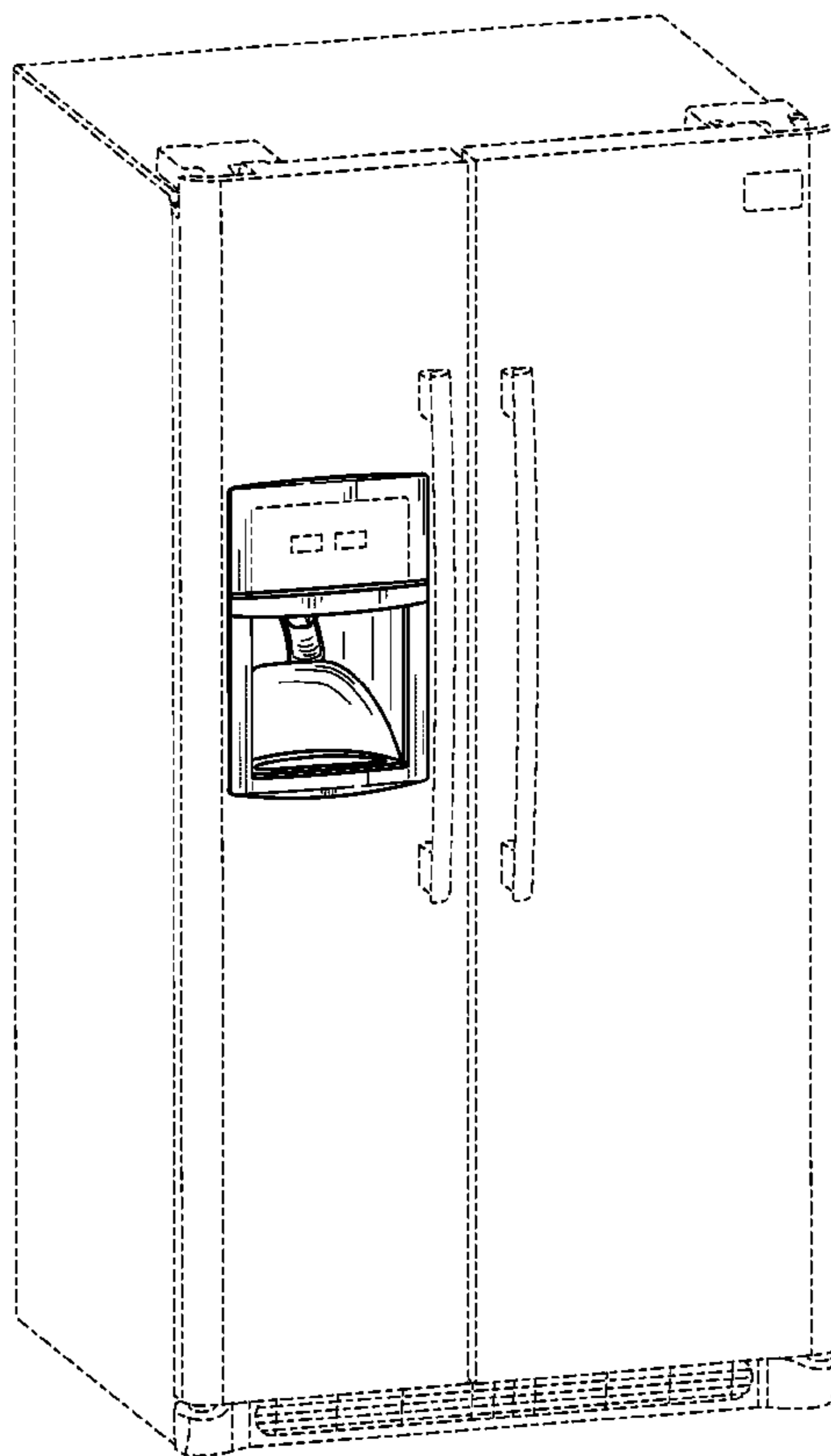
FIG. 4 is a right side view thereof;

FIG. 5 is a top view thereof; and,

FIG. 6 is a bottom view thereof.

The broken lines shown in the drawing disclosure are for illustrative purposes only and form no part of the claimed design.

1 Claim, 5 Drawing Sheets



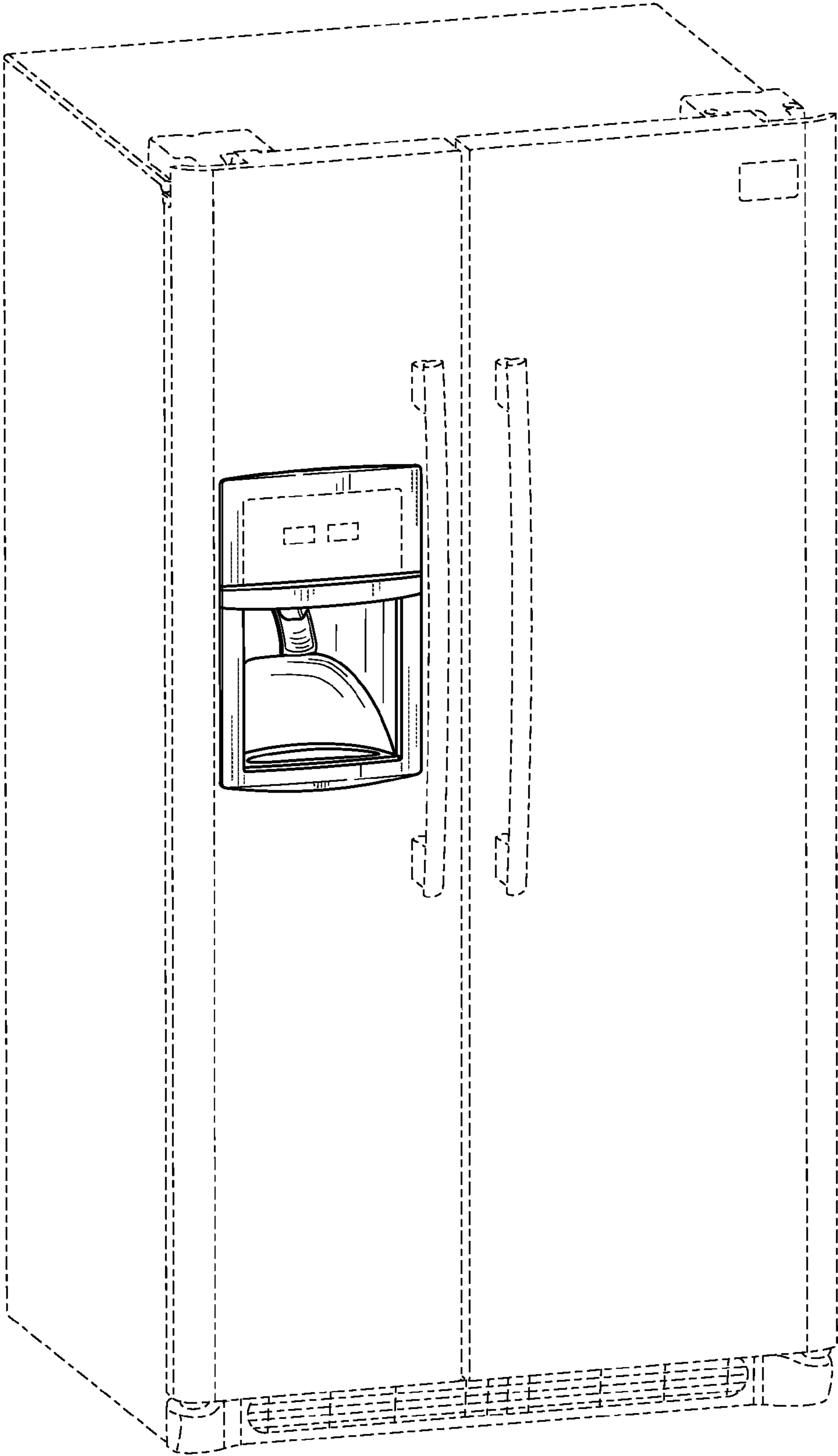


FIG. 1

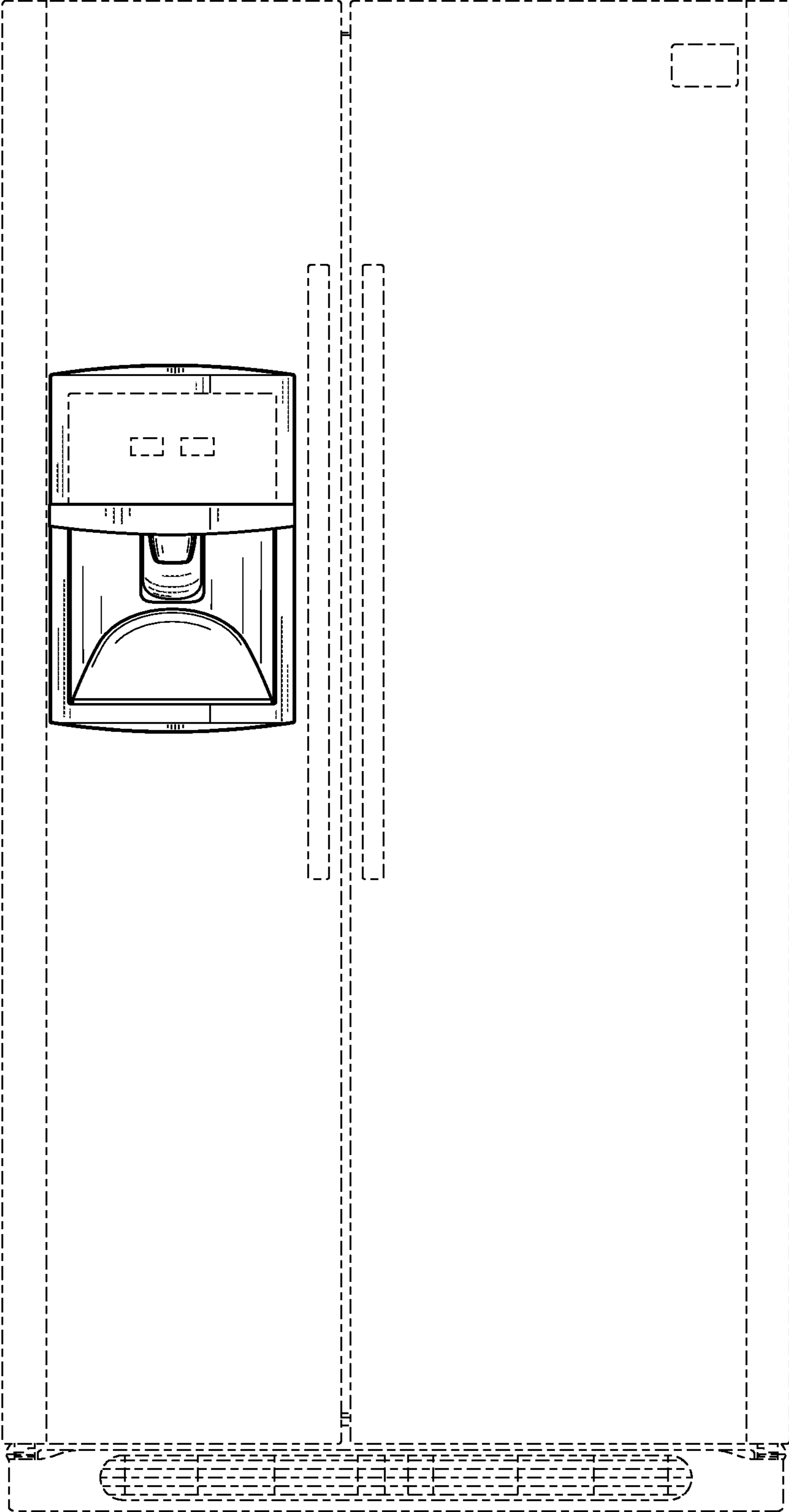


FIG. 2

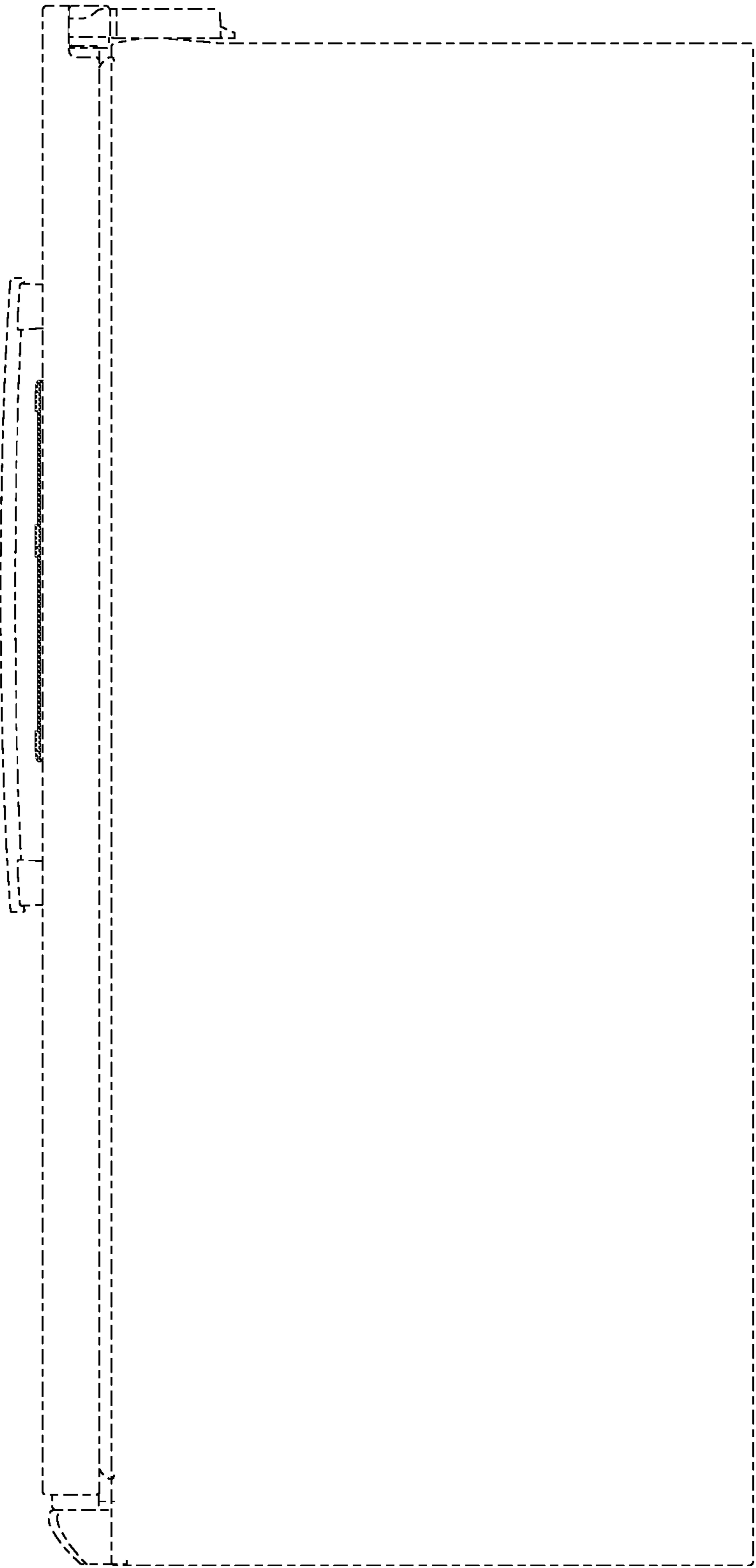


FIG. 3

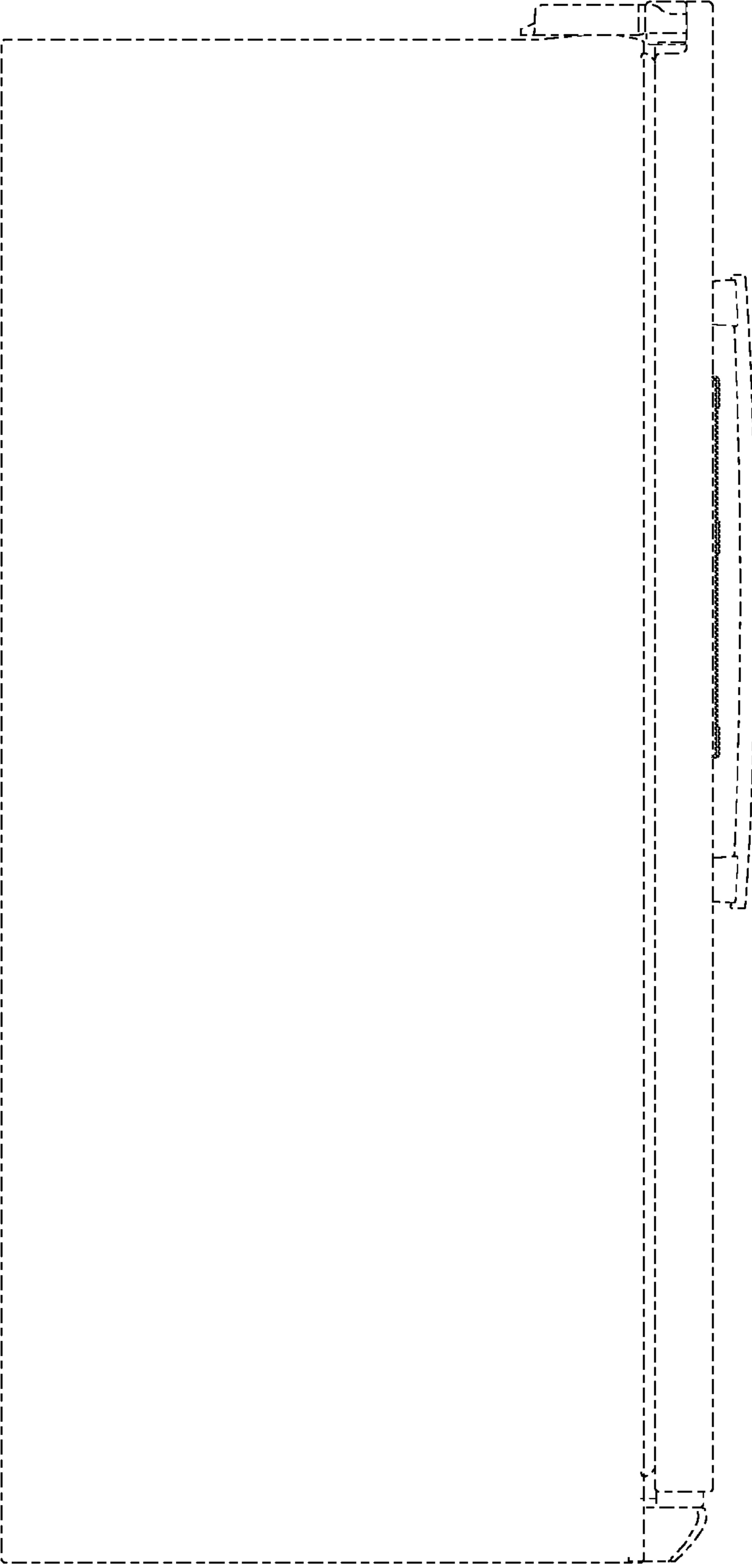


FIG. 4

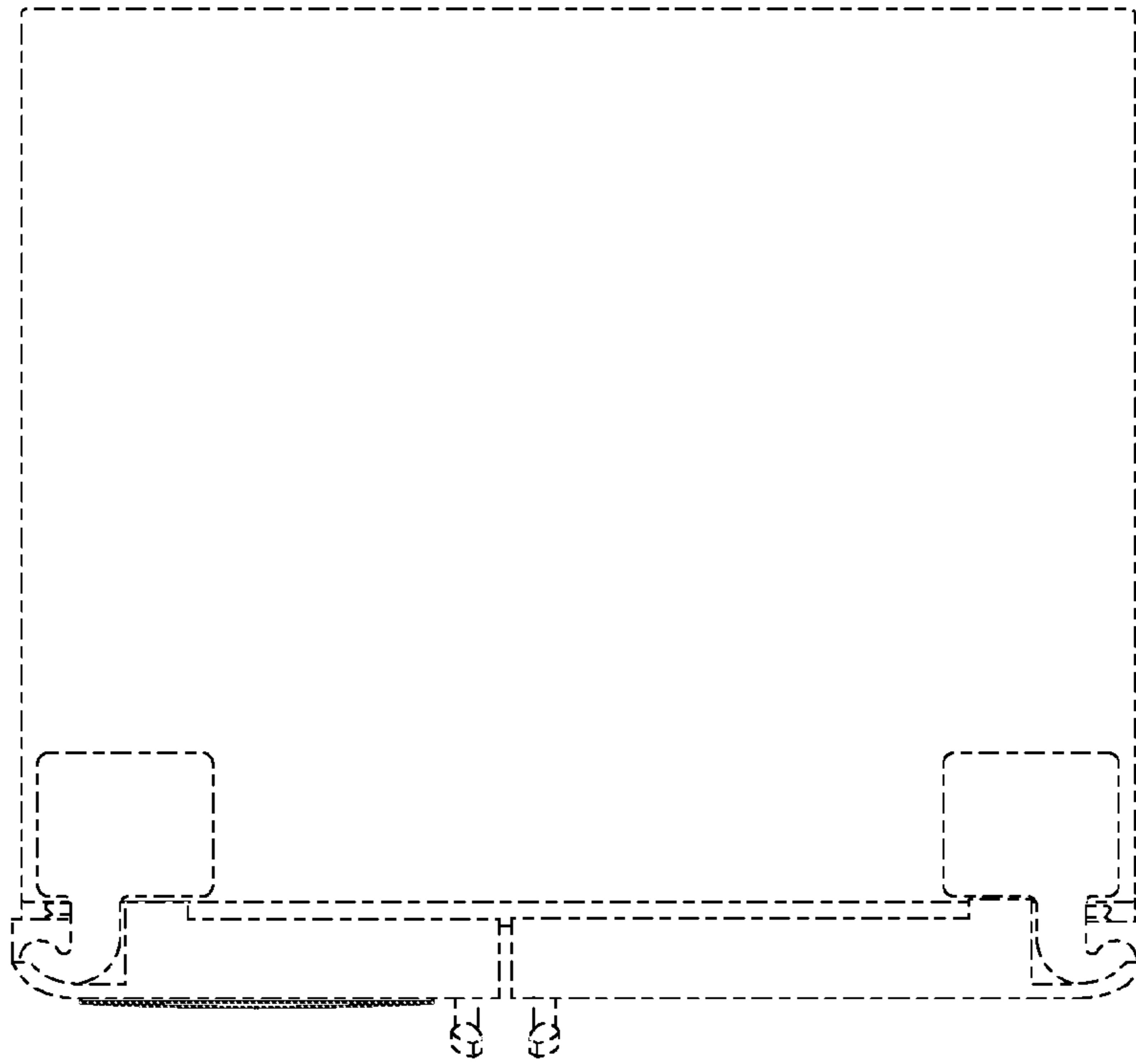


FIG. 5

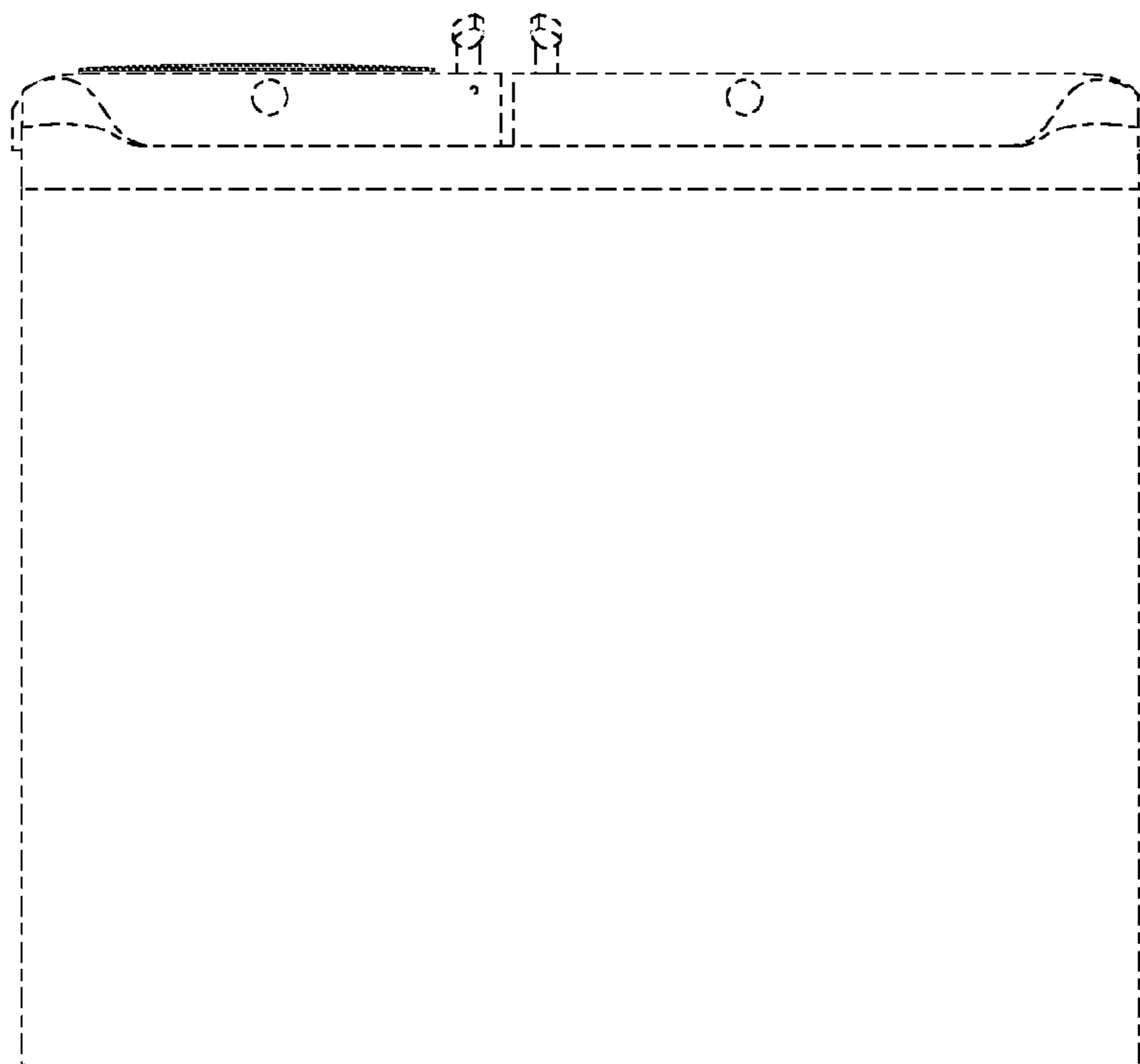


FIG. 6