



US00D615564S

(12) **United States Design Patent**
Kristiansen et al.

(10) **Patent No.:** **US D615,564 S**

(45) **Date of Patent:** **** May 11, 2010**

(54) **REFRIGERATOR**

(75) Inventors: **Keith Kristiansen**, Edgewater, NJ (US);
Roland Charriez, Edgewater, NJ (US);
David Demar, Edgewater, NJ (US)

(73) Assignee: **LG Electronics Inc.**, Seoul (KR)

(**) Term: **14 Years**

(21) Appl. No.: **29/340,386**

(22) Filed: **Jul. 17, 2009**

(51) **LOC (9) Cl.** **15-07**

(52) **U.S. Cl.** **D15/86**

(58) **Field of Classification Search** D15/79,
D15/81, 85, 86, 87, 88; 62/3.6, 3.63, 3.64,
62/293, 331, 371, 440-445, 467; 312/112-119,
312/236, 400-408

See application file for complete search history.

(56) **References Cited**

U.S. PATENT DOCUMENTS

D522,541 S * 6/2006 Kim et al. D15/86
D523,033 S * 6/2006 Kim et al. D15/86
D527,398 S * 8/2006 Kim et al. D15/86
D578,559 S * 10/2008 Lee et al. D15/85

D601,595 S * 10/2009 Yoon et al. D15/85
D601,596 S * 10/2009 Yoon et al. D15/85
D603,429 S * 11/2009 Lee et al. D15/85

* cited by examiner

Primary Examiner—Stella M Reid

Assistant Examiner—Shanda C. Hill

(74) *Attorney, Agent, or Firm*—Morgan, Lewis & Bockius
LLP

(57) **CLAIM**

The ornamental design for a refrigerator, as shown and described.

DESCRIPTION

FIG. 1 is a perspective view of a refrigerator showing our new design;

FIG. 2 is a front view thereof;

FIG. 3 is a rear view thereof;

FIG. 4 is a left side view thereof where the right side view is a mirror image;

FIG. 5 is a top plan view thereof; and,

FIG. 6 is a bottom plan view thereof.

1 Claim, 6 Drawing Sheets

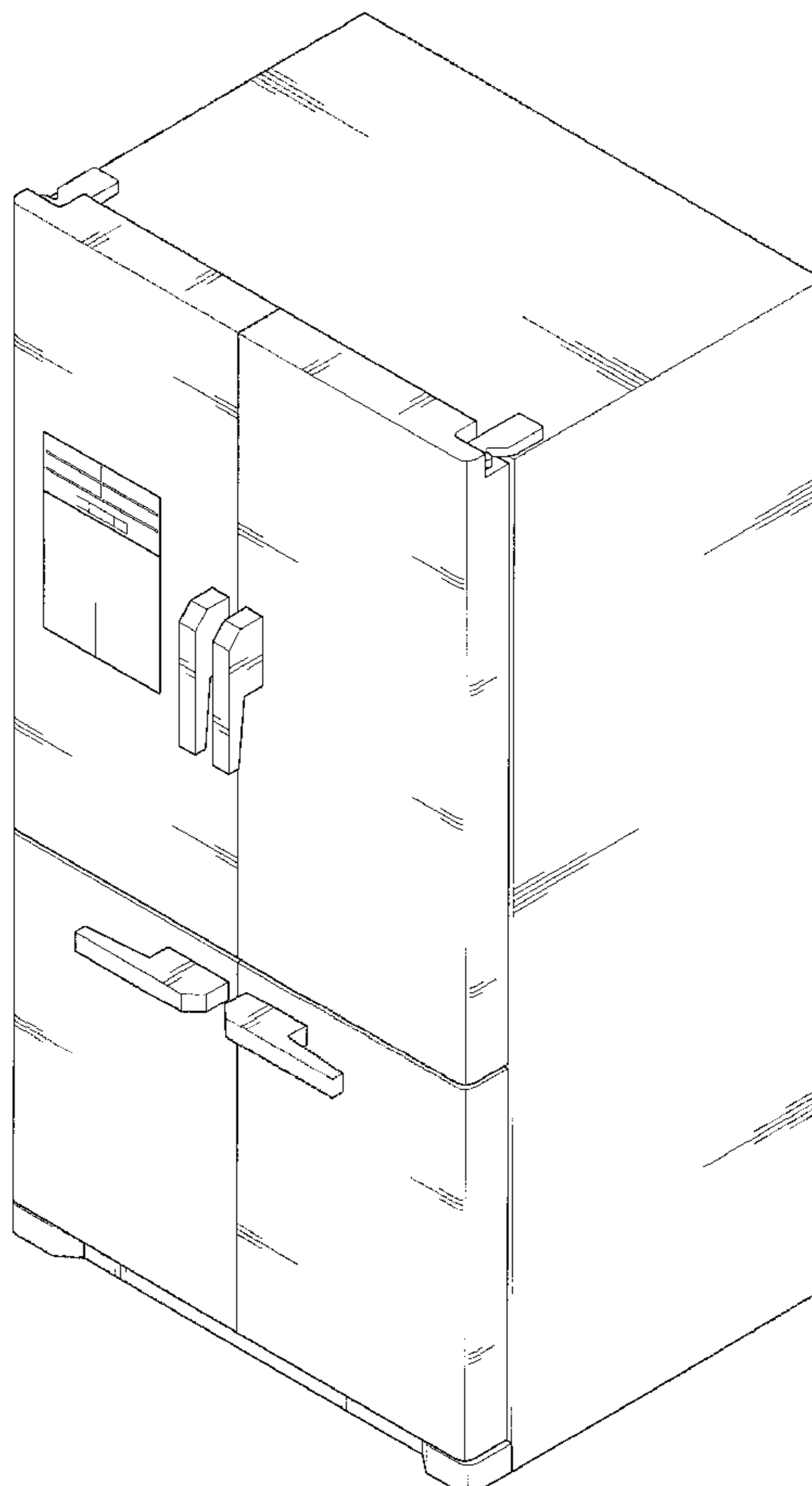


FIG. 1

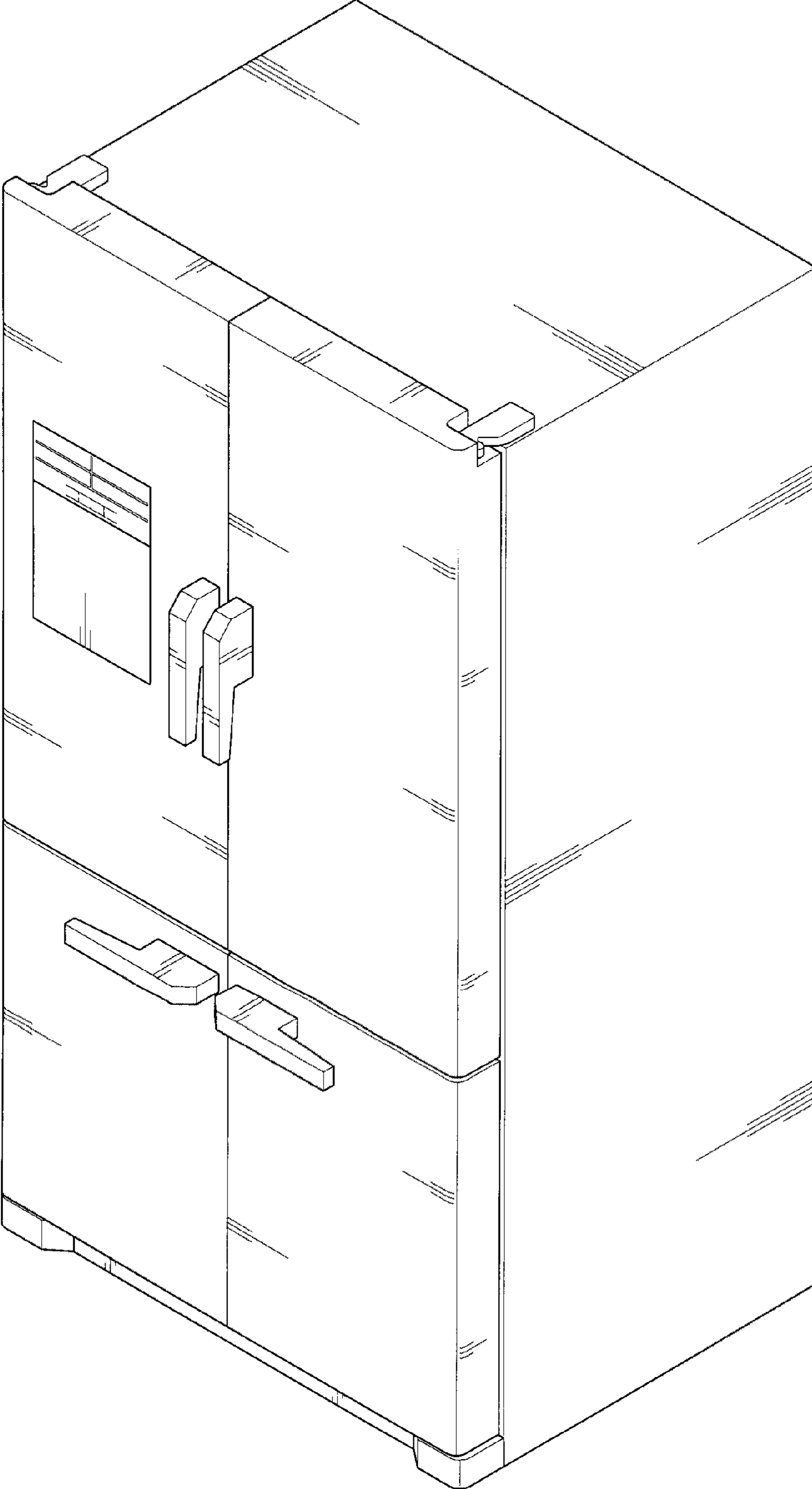


FIG. 2

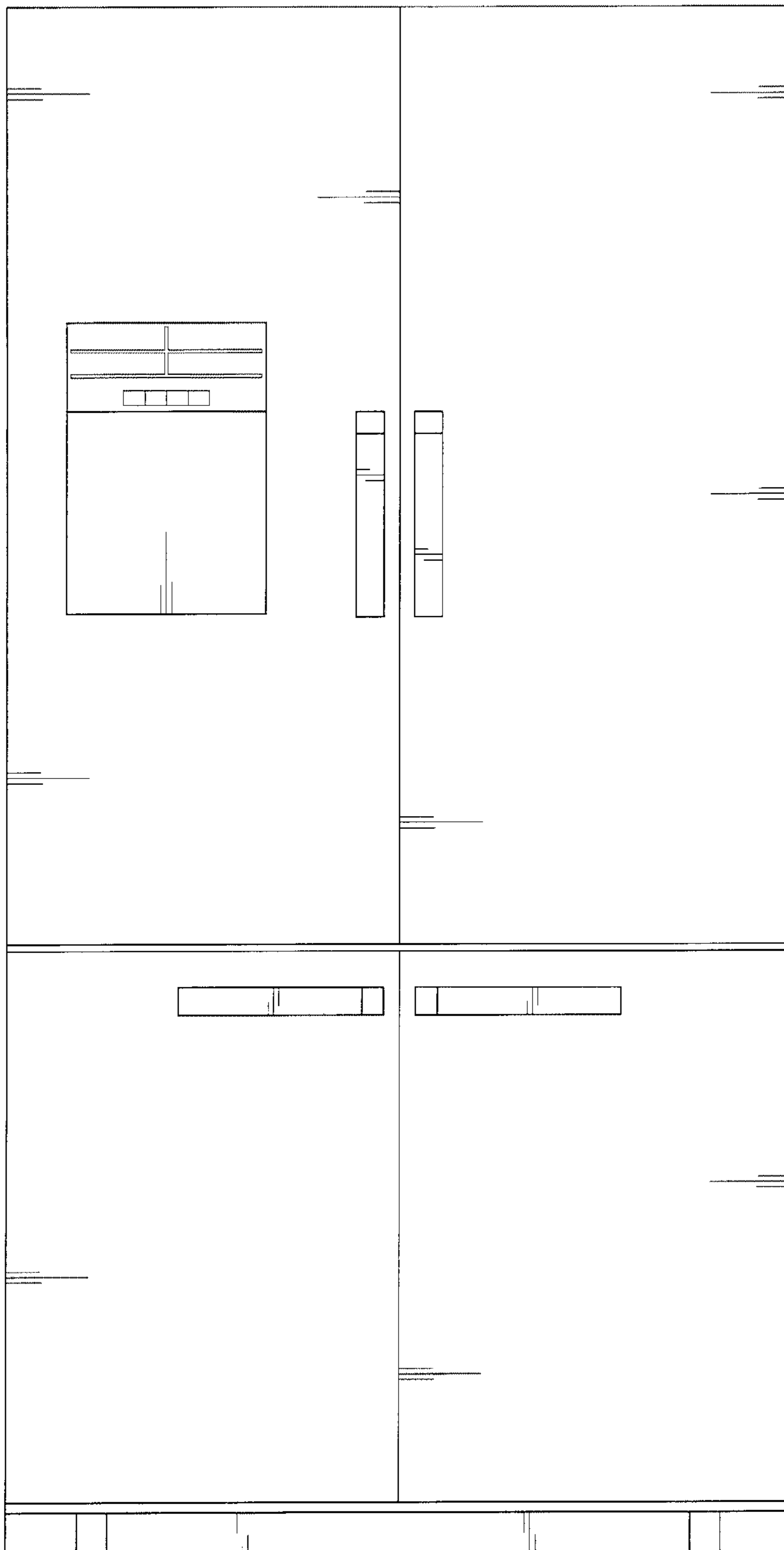


FIG. 3

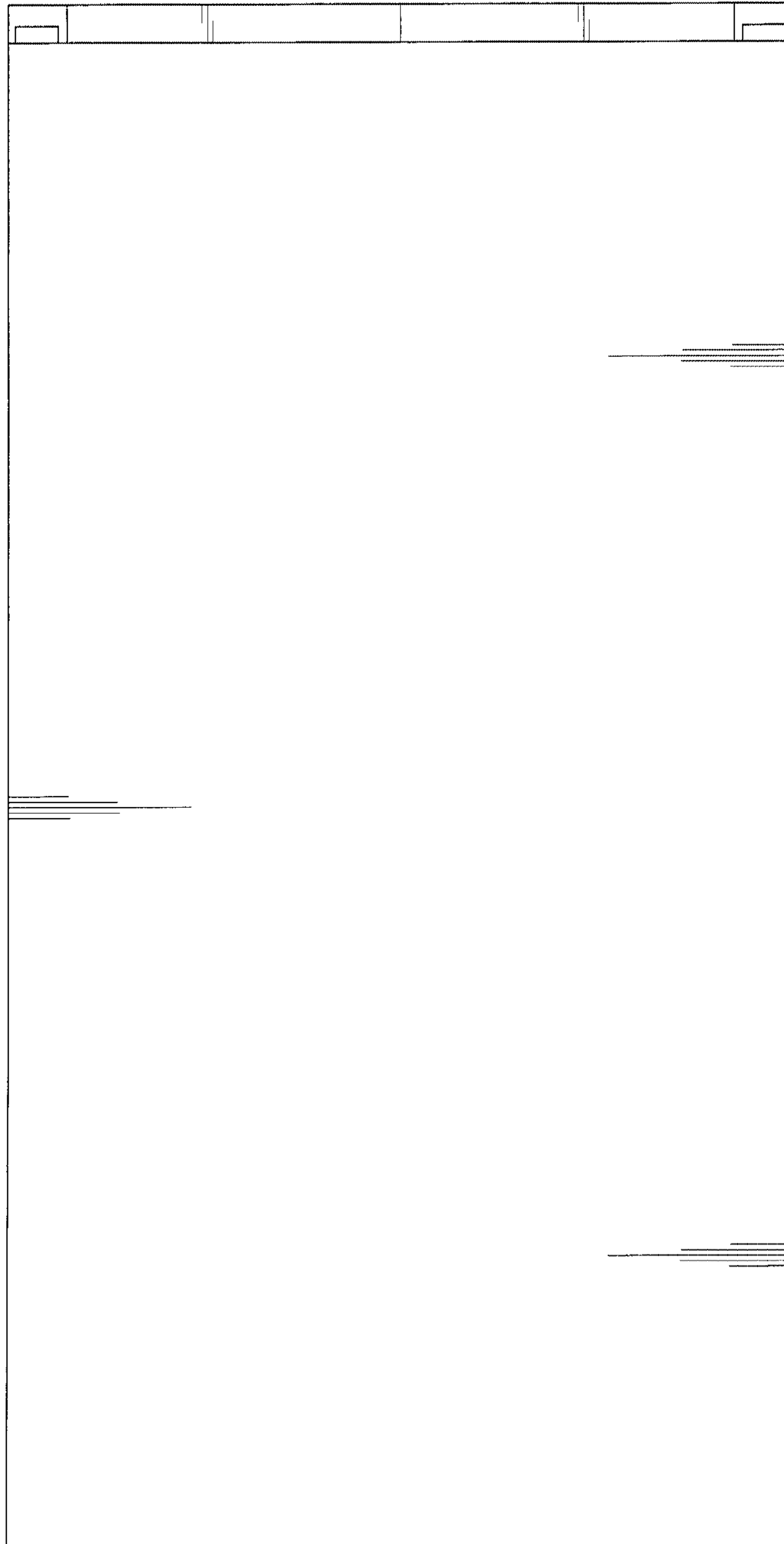


FIG. 4

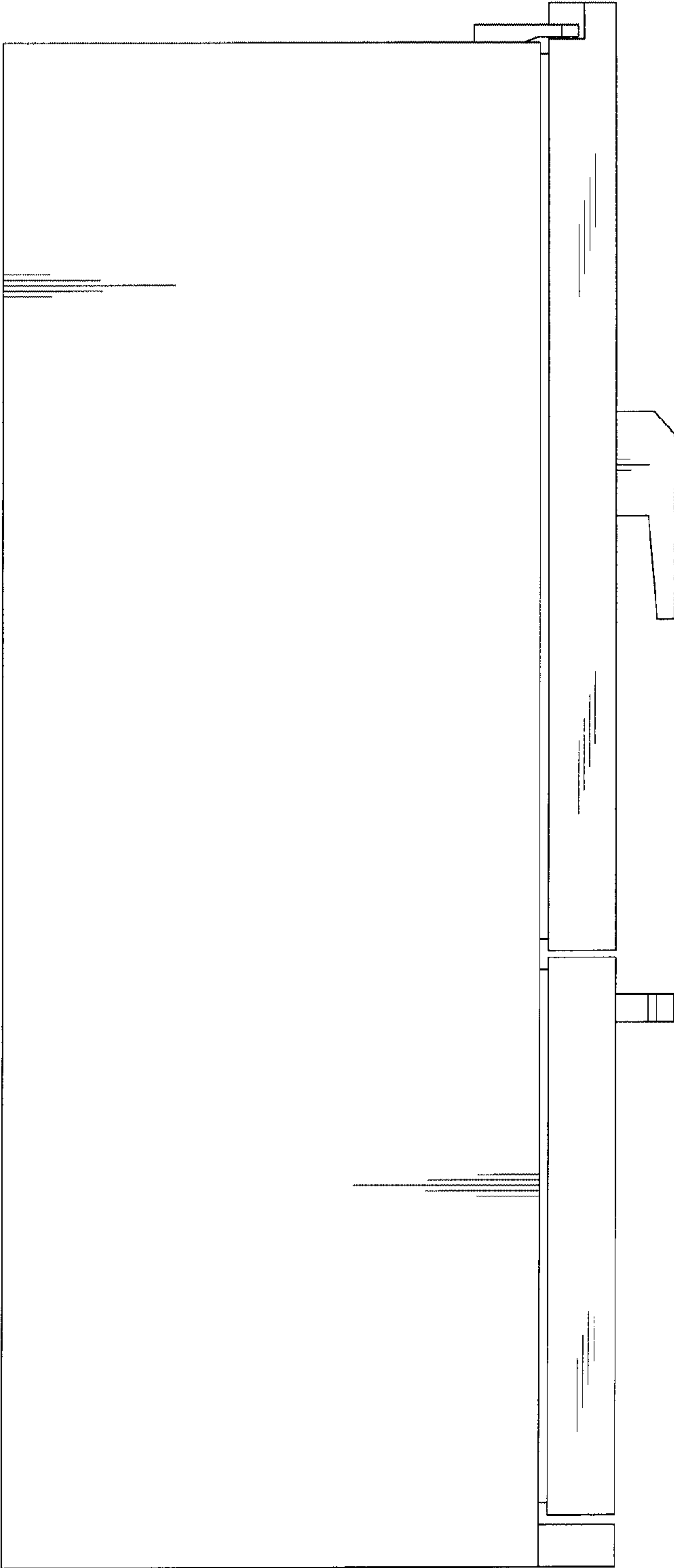


FIG. 5

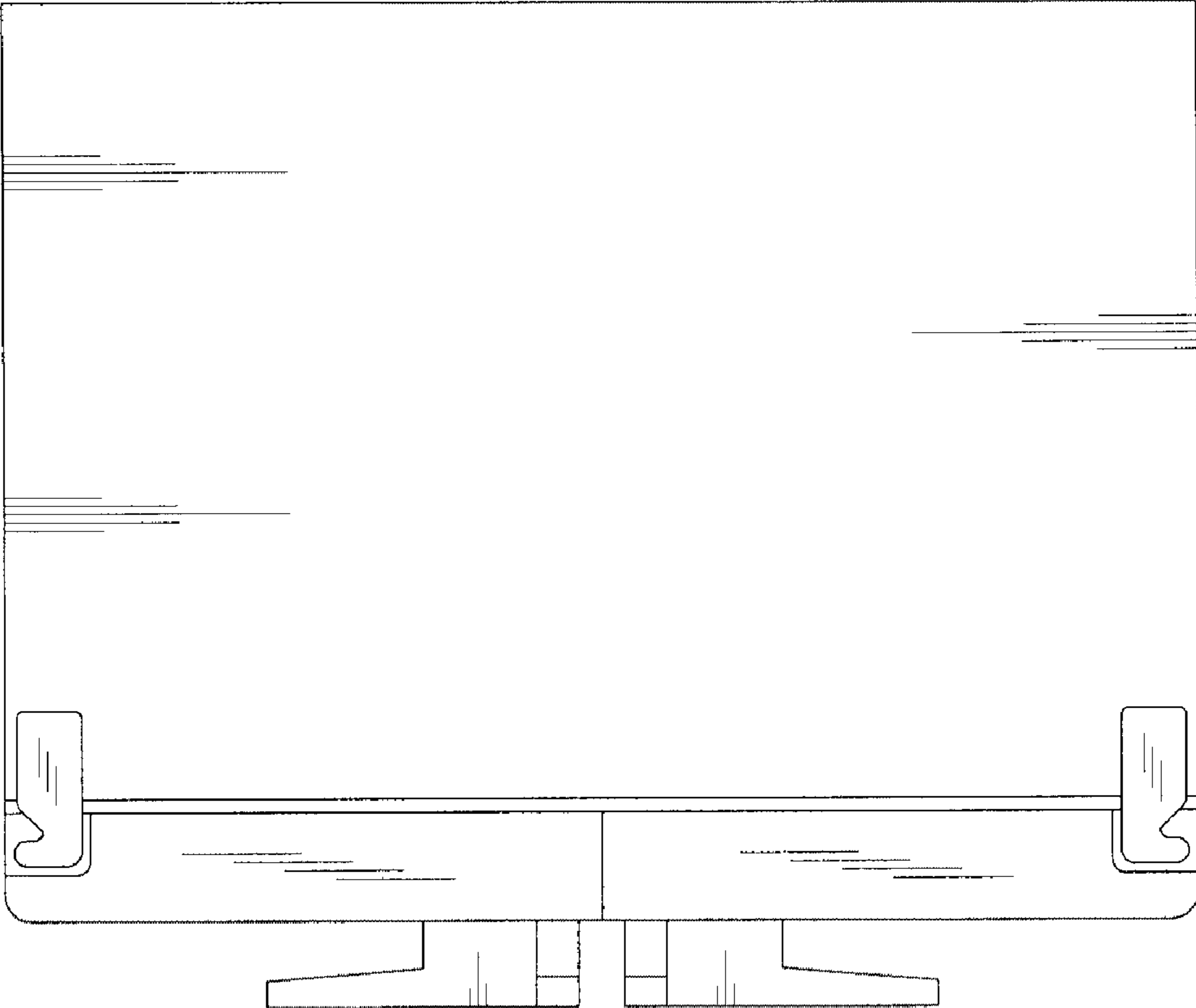


FIG. 6

