



US00D615563S

(12) **United States Design Patent**
Brockway

(10) **Patent No.:** **US D615,563 S**
(45) **Date of Patent:** **** May 11, 2010**

- (54) **MOVABLE AXLE GUARD FOR A COMPACTOR WHEEL**
- (75) Inventor: **Robert John Brockway**, Scottsboro, AL (US)
- (73) Assignee: **Terra Compactor Wheel Corp.**, Scottsboro, AL (US)

6,042,192 A 3/2000 Brockway
 6,076,843 A * 6/2000 Sewell 280/157
 6,273,516 B1 8/2001 Brockway
 6,322,170 B1 * 11/2001 Knell et al. 305/107
 D486,763 S * 2/2004 Nunez D12/160

(**) Term: **14 Years**

(Continued)

(21) Appl. No.: **29/351,363**

Primary Examiner—Ian Simmons
Assistant Examiner—Mark A Goodwin

(22) Filed: **Dec. 4, 2009**

(74) *Attorney, Agent, or Firm*—Ziolkowski Patent Solutions Group, SC

Related U.S. Application Data

(63) Continuation of application No. 11/328,391, filed on Jan. 9, 2006.

- (51) **LOC (9) Cl.** **15-03**
- (52) **U.S. Cl.** **D15/28**
- (58) **Field of Classification Search** D15/10, D15/20, 28; 305/100, 107, 110, 115; 301/43, 301/45, 46, 47, 48, 49; 172/538, 540, 547, 172/554, 559, 606, 608, 610, 112
See application file for complete search history.

(57) **CLAIM**

The ornamental design for a movable axle guard for a compactor wheel, as shown and described.

DESCRIPTION

(56) **References Cited**

U.S. PATENT DOCUMENTS

- 1,182,662 A 5/1916 Eby
- 1,305,303 A 6/1919 Nelson
- 3,340,783 A 9/1967 Edminster
- 4,530,620 A 7/1985 McCartney
- 5,174,775 A * 12/1992 Birch 439/188
- 5,209,050 A 5/1993 Carrigan
- 5,286,573 A * 2/1994 Prinz et al. 264/308
- 5,330,260 A 7/1994 Freeman
- 5,358,355 A 10/1994 Brockway
- D379,630 S 6/1997 Brockway
- 5,676,493 A 10/1997 Brockway
- 5,687,799 A 11/1997 Greenfield et al.
- 5,755,418 A * 5/1998 Kracke et al. 248/311.3
- 5,769,507 A 6/1998 Brockway
- 5,951,123 A * 9/1999 Bomstad et al. 305/107

FIG. 1 is a perspective view of a compactor wheel having a movable axle guard in accordance with an embodiment of the present invention.

FIG. 2 is a side elevational view of the compactor wheel of FIG. 1.

FIG. 3 is a top plan view of the compactor wheel of FIG. 1.

FIG. 4 is an end elevational view of the compactor wheel of FIG. 1.

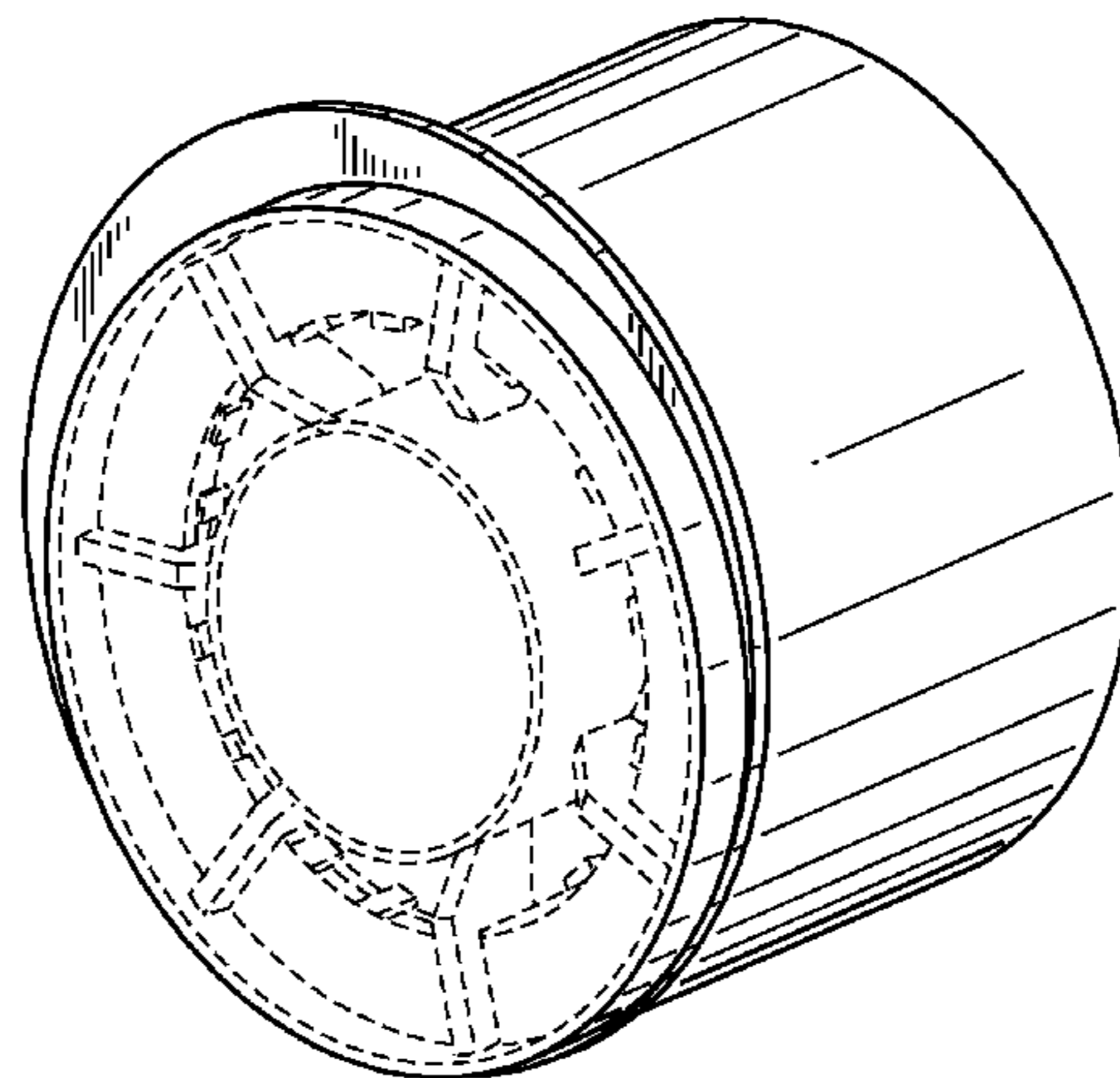
FIG. 5 is a front elevational view of the compactor wheel of FIG. 1.

FIG. 6 is a cross-sectional side view of the compactor wheel taken along line 6—6 of FIG. 3; and,

FIG. 7 is an angled end elevational view of the compactor wheel of FIG. 1.

The broken lines shown in all figures are for illustrative purposes only and form no part of the claimed design.

1 Claim, 7 Drawing Sheets



US D615,563 S

Page 2

U.S. PATENT DOCUMENTS				
		2004/0012244	A1	1/2004 Waterman et al.
		2005/0263976	A1	12/2005 Brockway
6,913,289	B2	7/2005		Brockway
D552,159	S *	10/2007	Eldridge	D17/13
7,556,323	B1 *	7/2009	Gachhadar et al.	305/107
				2006/0244311 A1* 11/2006 Brockway 305/100
				2007/0280783 A1* 12/2007 Gibbins 404/124
				* cited by examiner

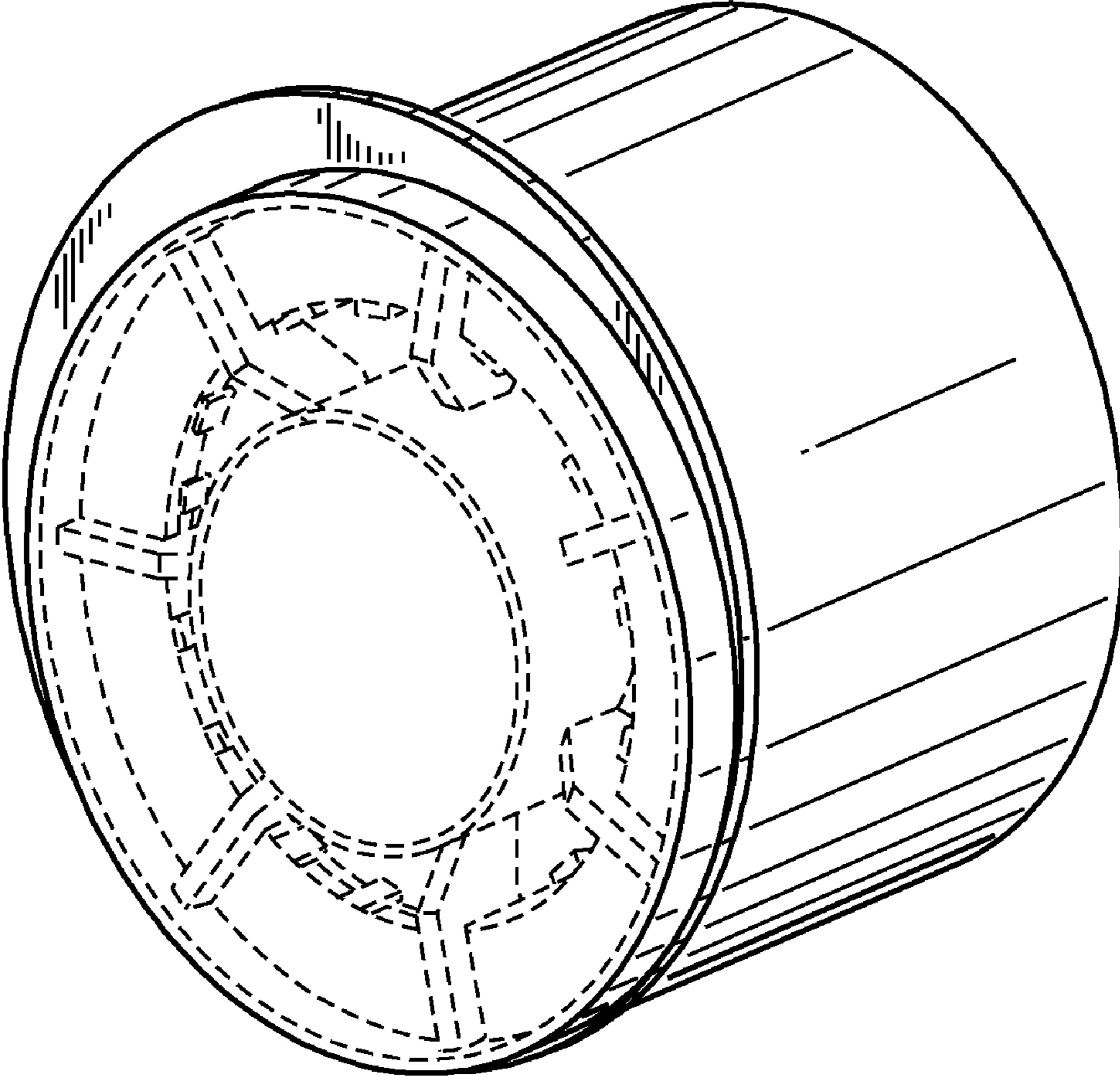


FIG. 1

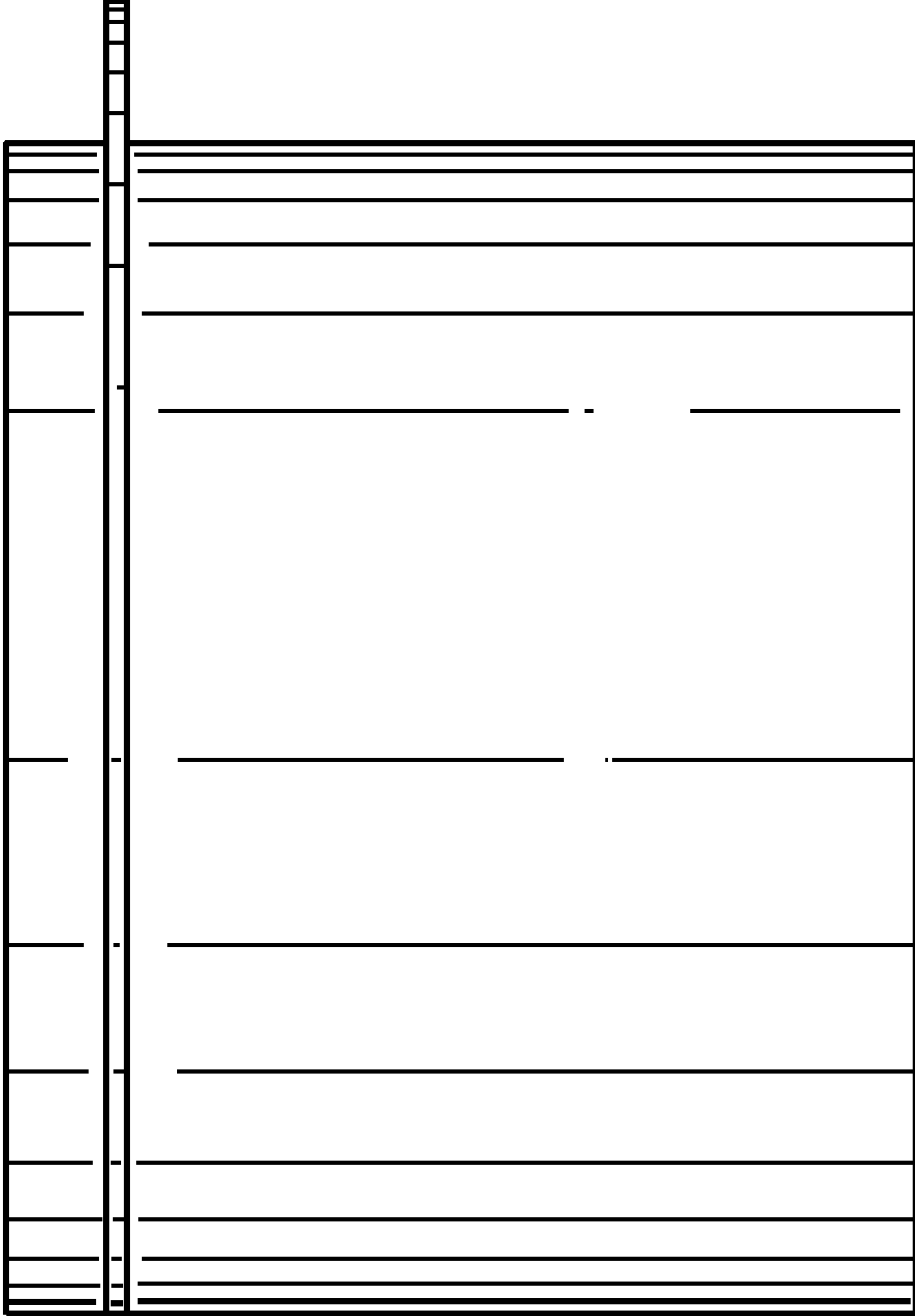


FIG. 2

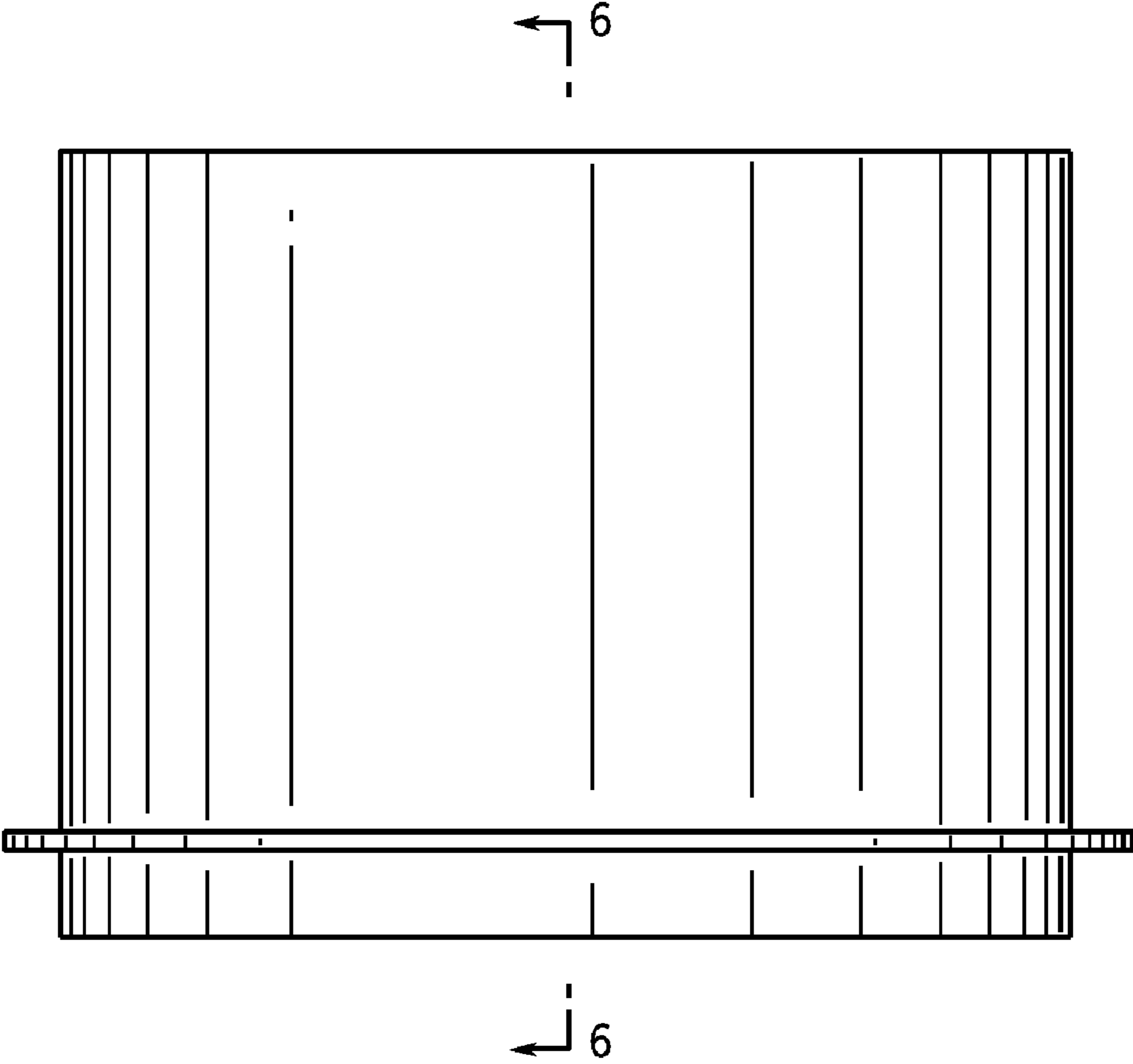


FIG. 3

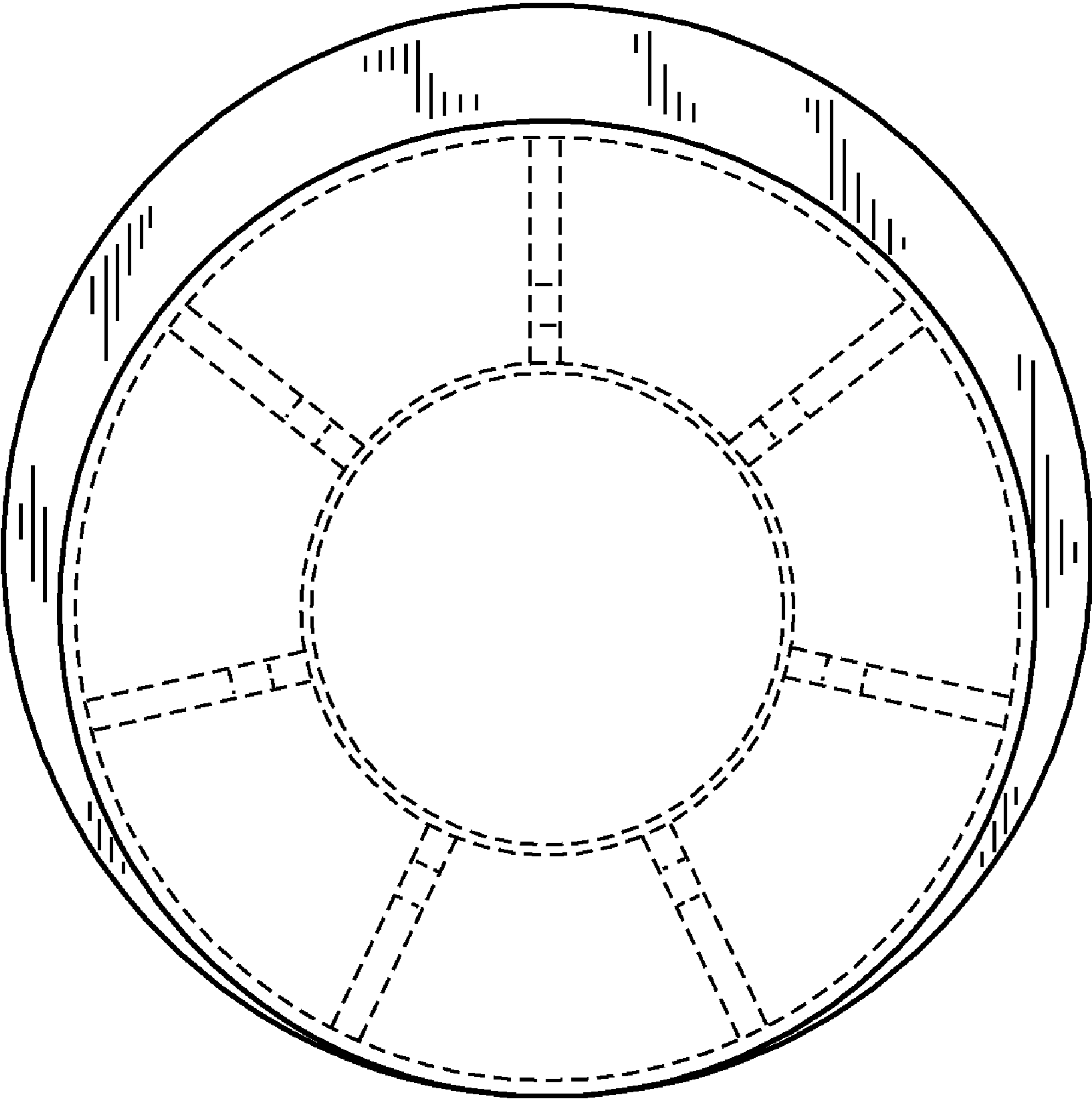


FIG. 4

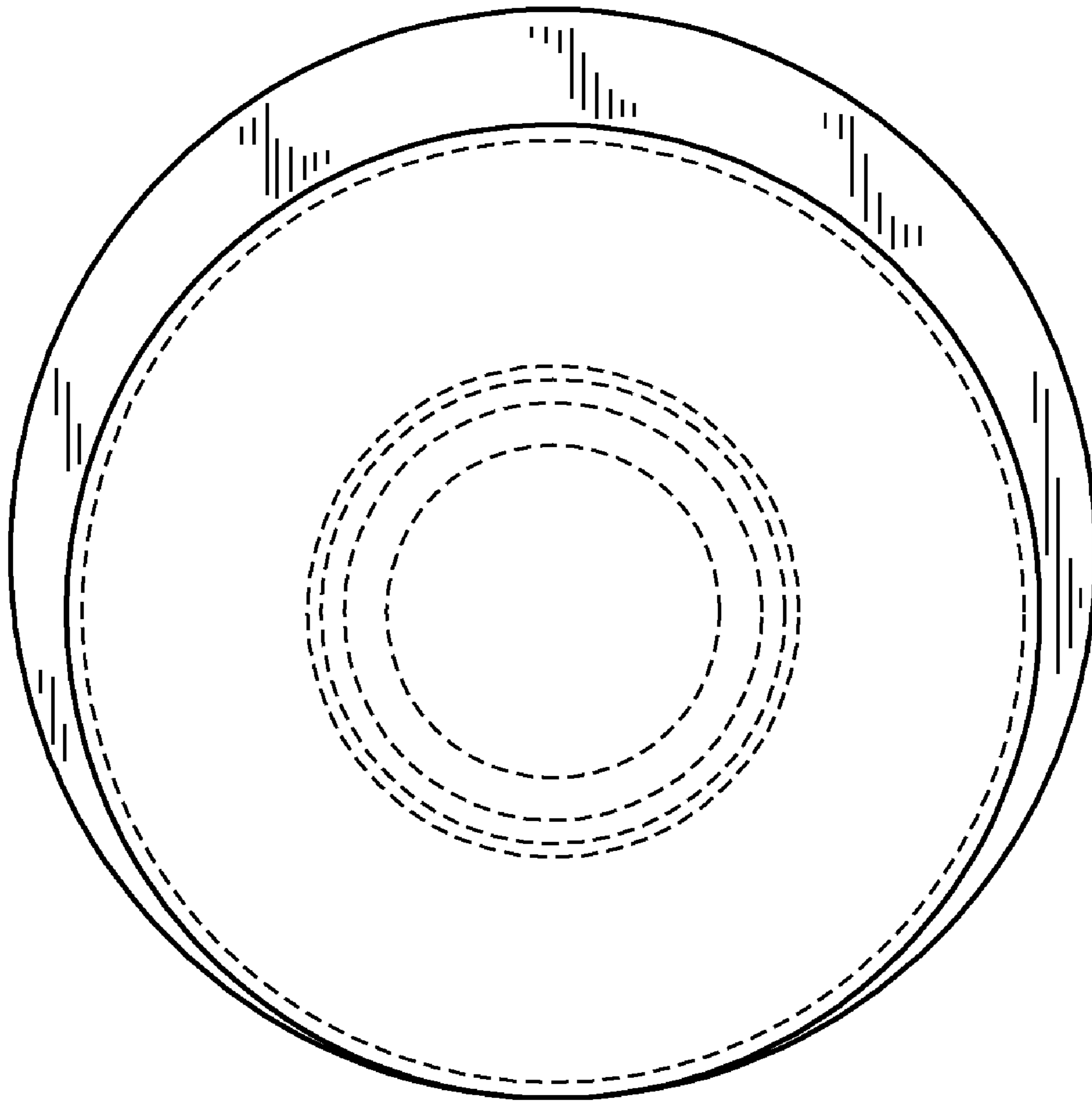


FIG. 5

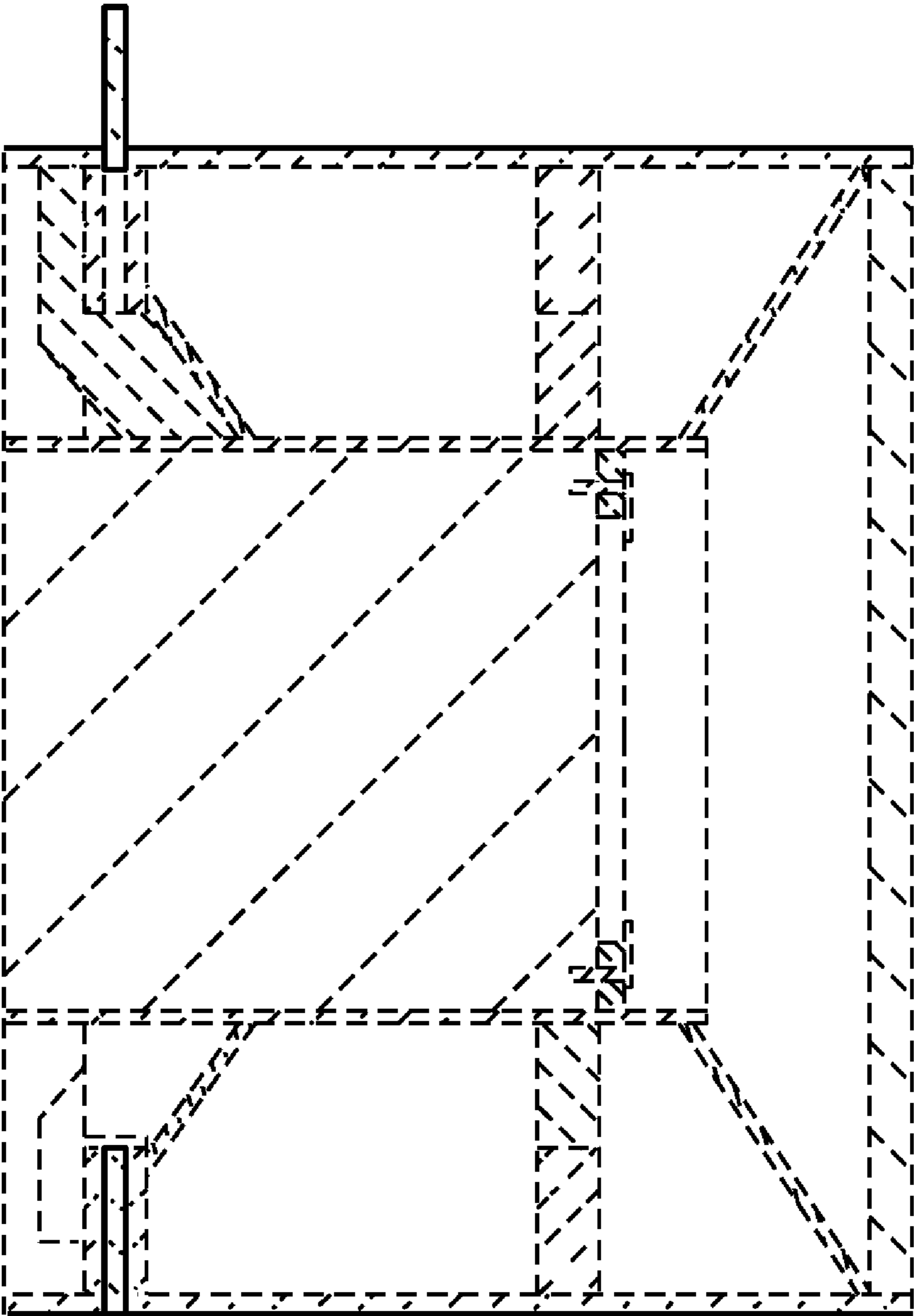


FIG. 6

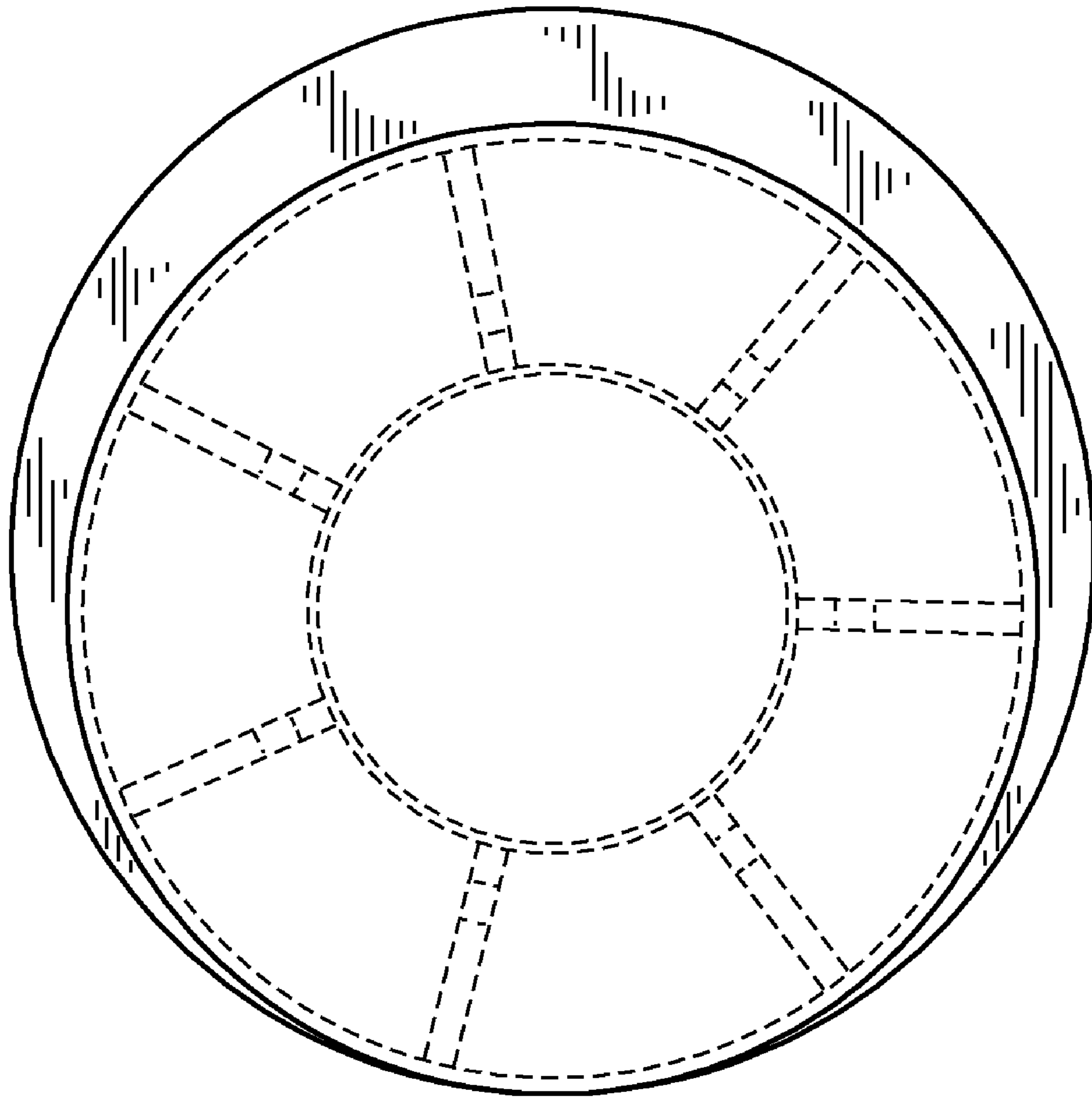


FIG. 7