



US00D615562S

(12) **United States Design Patent**
Kelly et al.

(10) **Patent No.:** **US D615,562 S**
(45) **Date of Patent:** **** May 11, 2010**

(54) **AGRICULTURAL IMPLEMENT**

(76) Inventors: **Shane P. Kelly**, P.O. Box 200, Booleroo Centre, South Australia (AU) 5482;
Peter L. L. Kelly, P.O. Box 100, Booleroo Centre, South Australia (AU) 5482

(**) Term: **14 Years**

(21) Appl. No.: **29/344,872**

(22) Filed: **Oct. 6, 2009**

Related U.S. Application Data

(63) Continuation of application No. 11/765,182, filed on Jun. 19, 2007, now Pat. No. 7,607,489.

(51) **LOC (9) Cl.** **15-03**

(52) **U.S. Cl.** **D15/27**

(58) **Field of Classification Search** D15/10,
D15/11, 27, 28, 29, 33; 172/579, 311, 568,
172/612, 468, 637, 662, 684.5, 689, 551,
172/576, 595, 455, 518, 527, 567, 586, 142,
172/152, 154, 178, 181, 196, 440, 441, 314,
172/548, 454, 583, 140, 776, 22, 442, 145-147,
172/175, 669

See application file for complete search history.

(56) **References Cited**

U.S. PATENT DOCUMENTS

98,647	A *	1/1870	Vairin	172/579
768,358	A *	8/1904	Davis	172/612
1,314,292	A *	8/1919	Wallesverd	172/189
1,482,496	A *	2/1924	White	172/310
2,191,537	A *	2/1940	Miller	172/578
D165,046	S *	11/1951	Bailey	D15/27
2,825,983	A *	3/1958	Finn	56/295
2,997,115	A *	8/1961	Moser	172/189
3,310,122	A *	3/1967	Mack	172/34
3,327,787	A *	6/1967	Adee	172/311
3,759,332	A *	9/1973	Robertson, Sr.	172/239
D234,619	S *	3/1975	Oelschlaeger	D15/27
4,044,842	A *	8/1977	Worick	172/314
4,150,725	A *	4/1979	Crumrine	172/678
D258,657	S *	3/1981	Stark	D15/27

D267,320	S *	12/1982	Symonds	D15/11
4,452,318	A *	6/1984	Boetto	172/311
4,582,142	A *	4/1986	Bridge	172/34
4,893,682	A *	1/1990	Smallacombe	172/311
D306,598	S *	3/1990	Swartzendruber et al.	D15/11
5,000,270	A *	3/1991	Phillips	172/540
5,143,160	A *	9/1992	May	172/311
5,161,622	A *	11/1992	Godbersen	172/140
5,535,832	A *	7/1996	Benoit	172/195
5,586,604	A *	12/1996	Postema	172/21
5,794,712	A *	8/1998	Phillips	172/459
5,881,820	A *	3/1999	Baker	172/455
6,612,378	B2 *	9/2003	Sauder	172/145
7,578,356	B2 *	8/2009	Newman	172/572
7,607,489	B2 *	10/2009	Kelly et al.	172/579
2009/0071668	A1 *	3/2009	Hennigar	172/612

* cited by examiner

Primary Examiner—Ian Simmons

Assistant Examiner—Mark A Goodwin

(74) *Attorney, Agent, or Firm*—Dale J. Ream

(57) **CLAIM**

The ornamental design for a agricultural implement, as shown and described.

DESCRIPTION

FIG. 1 is a perspective view of an agricultural implement showing our new design, the broken line showing of the wheels, tensioning elements, and circle form no part of the claimed design;

FIG. 2 is a front view thereof;

FIG. 3 is a back view thereof;

FIG. 4 is a left side view thereof;

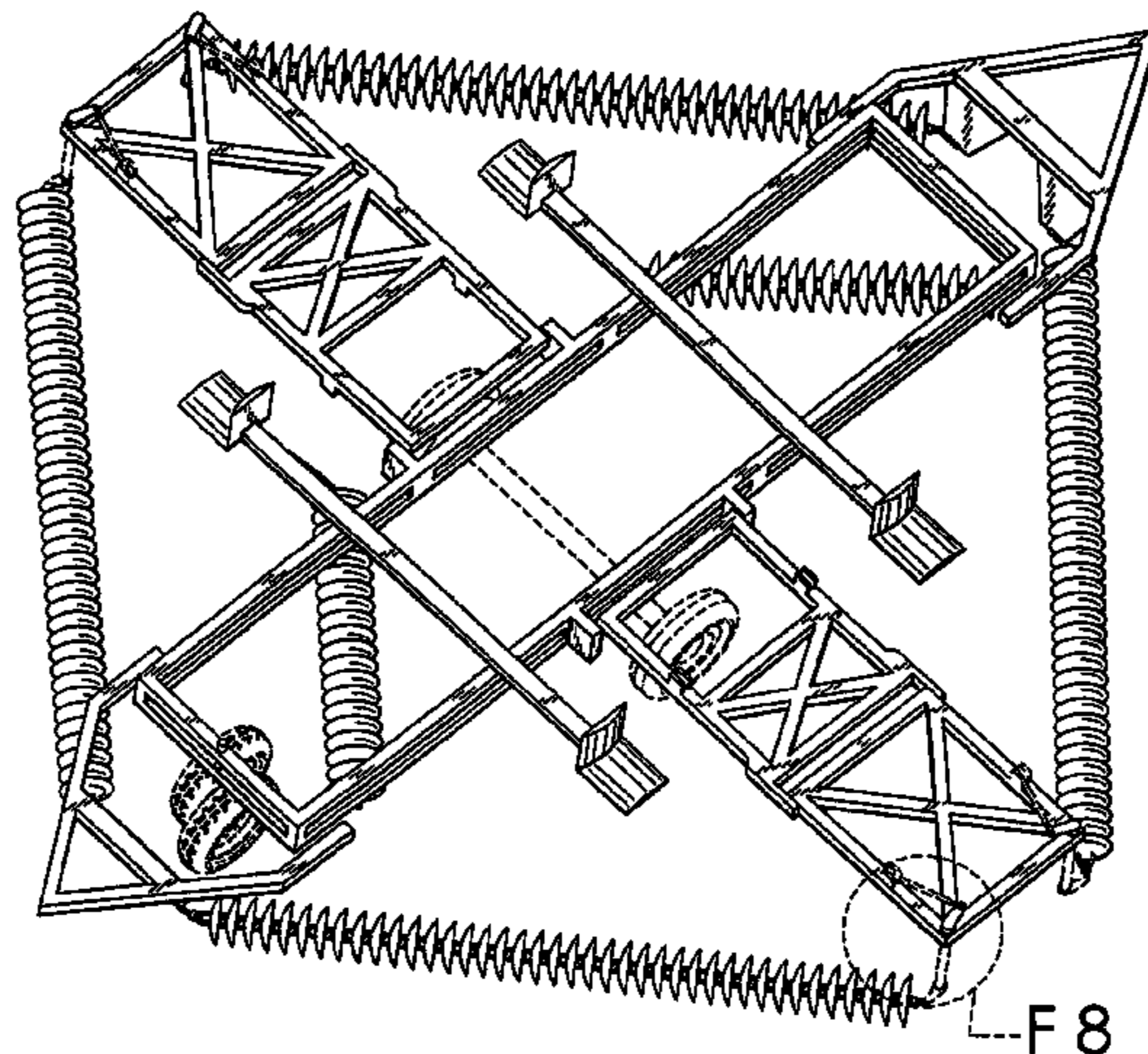
FIG. 5 is a right side view thereof;

FIG. 6 is a top view thereof; and

FIG. 7 is a bottom view thereof; and,

FIG. 8 is an isolated enlarged view taken from area 8—8 of FIG. 1.

1 Claim, 6 Drawing Sheets



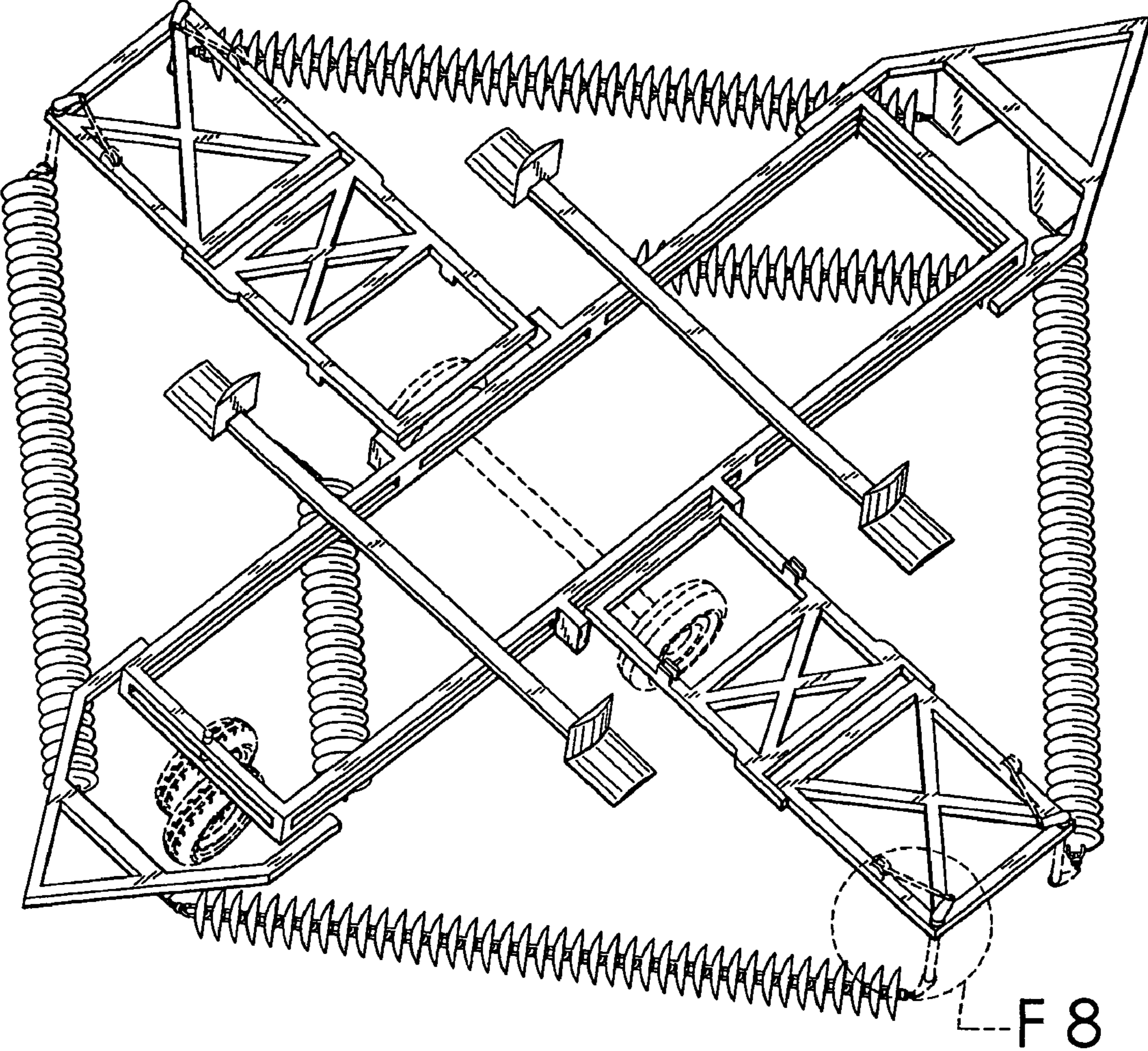


FIG. 1

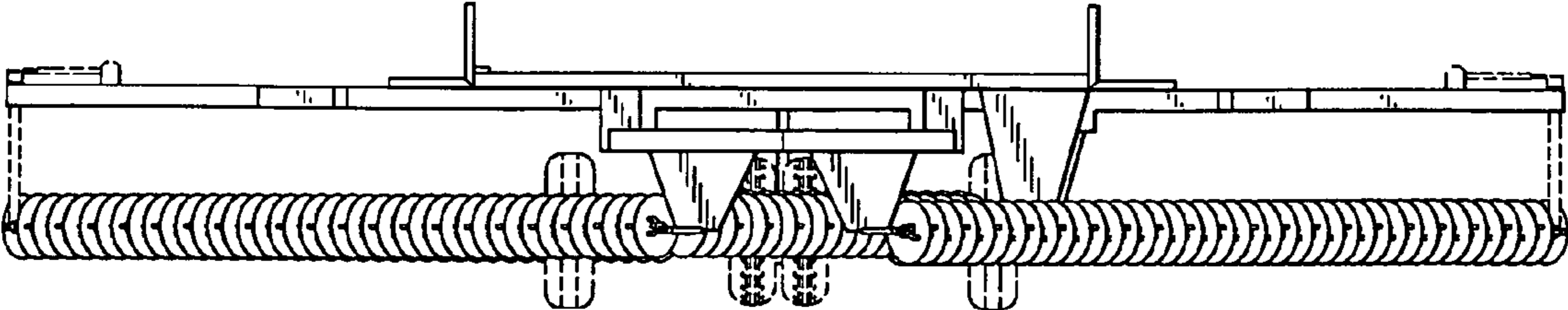


FIG. 2

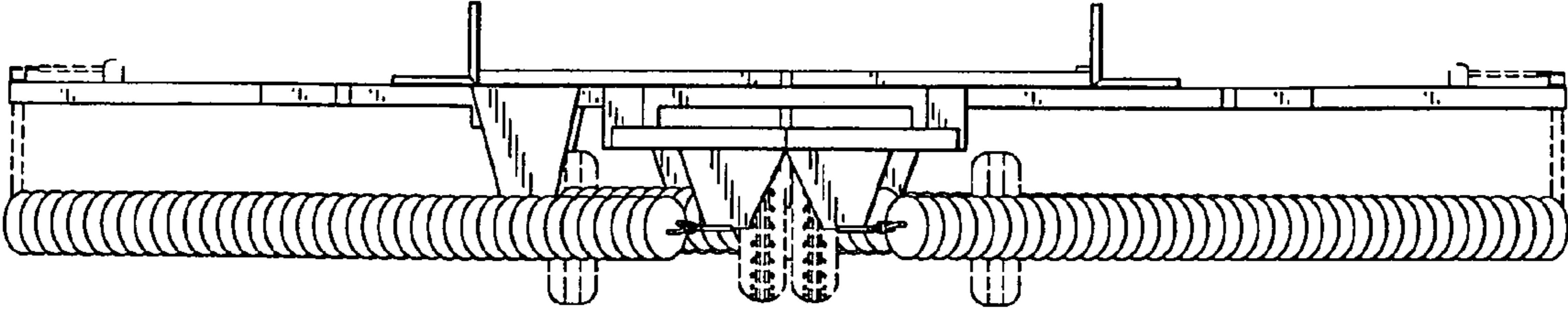


FIG. 3

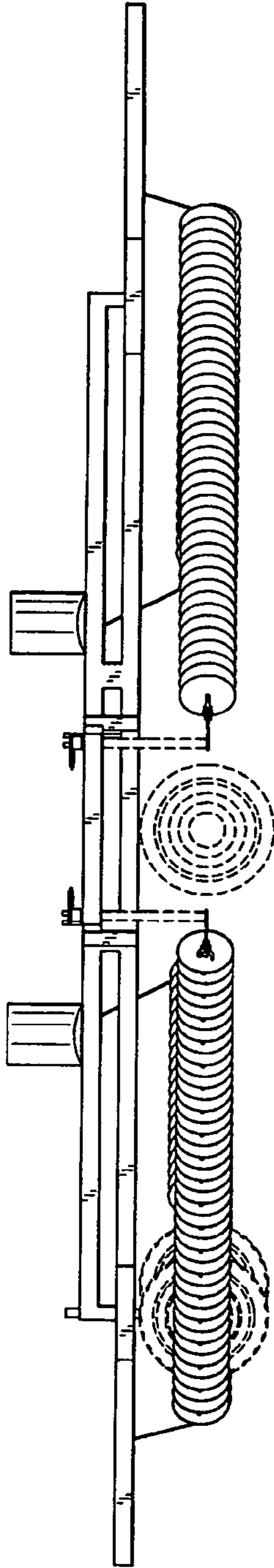


FIG. 4

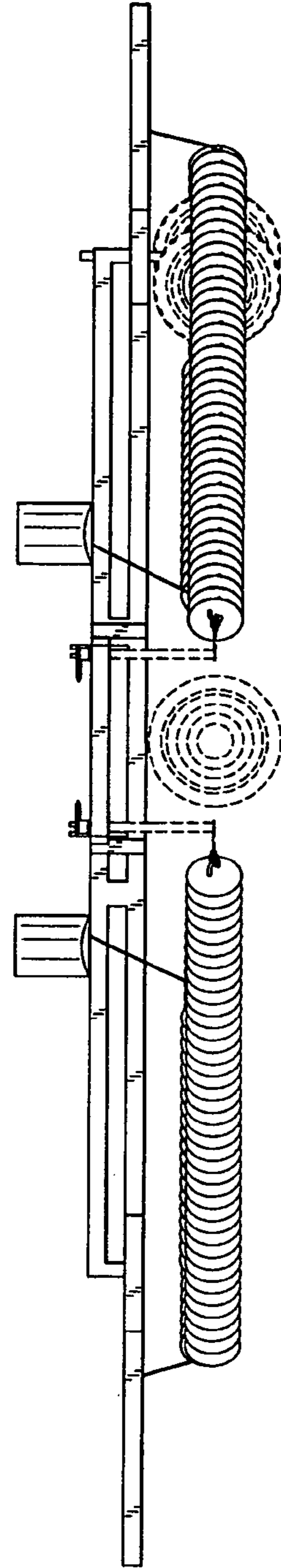


FIG. 5

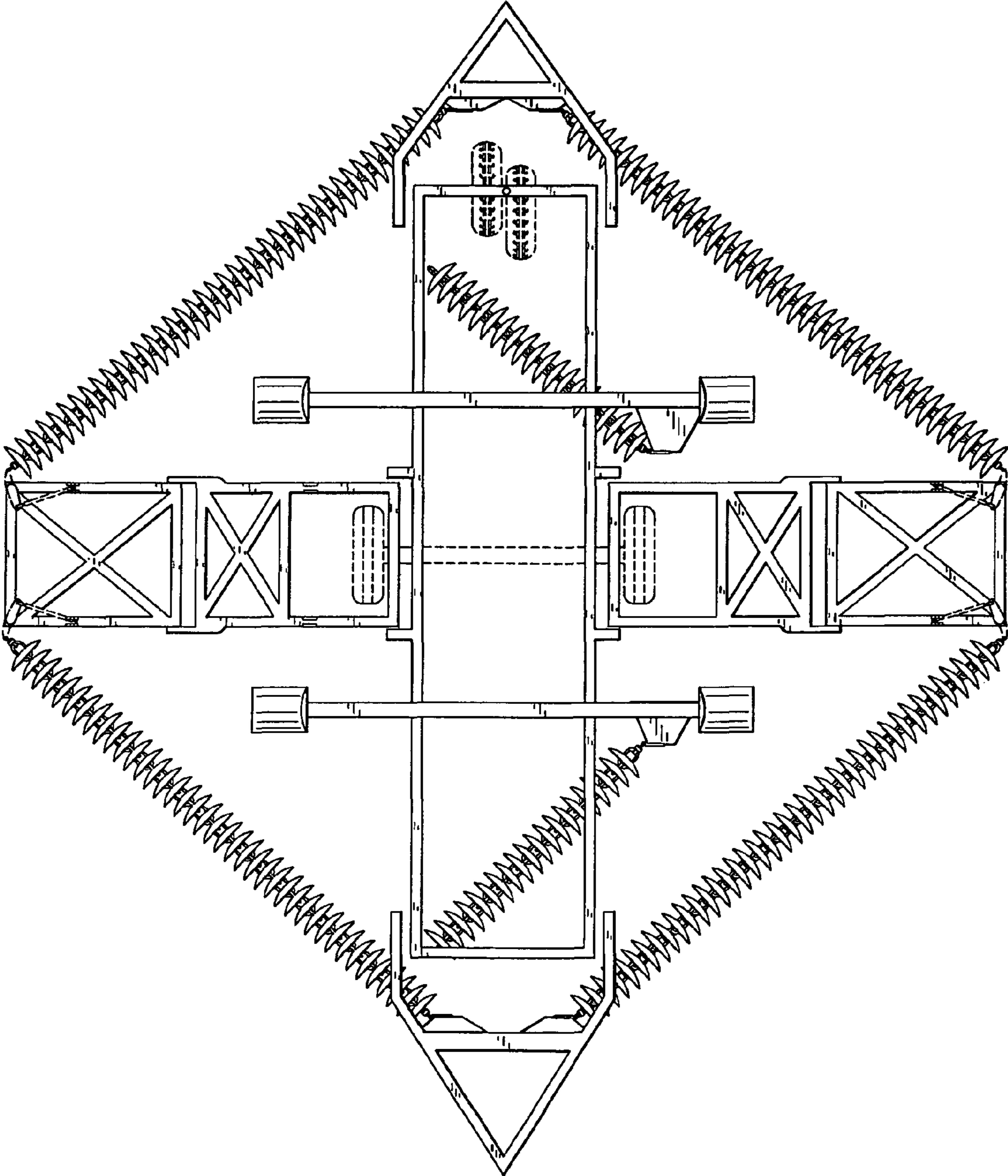


FIG. 6

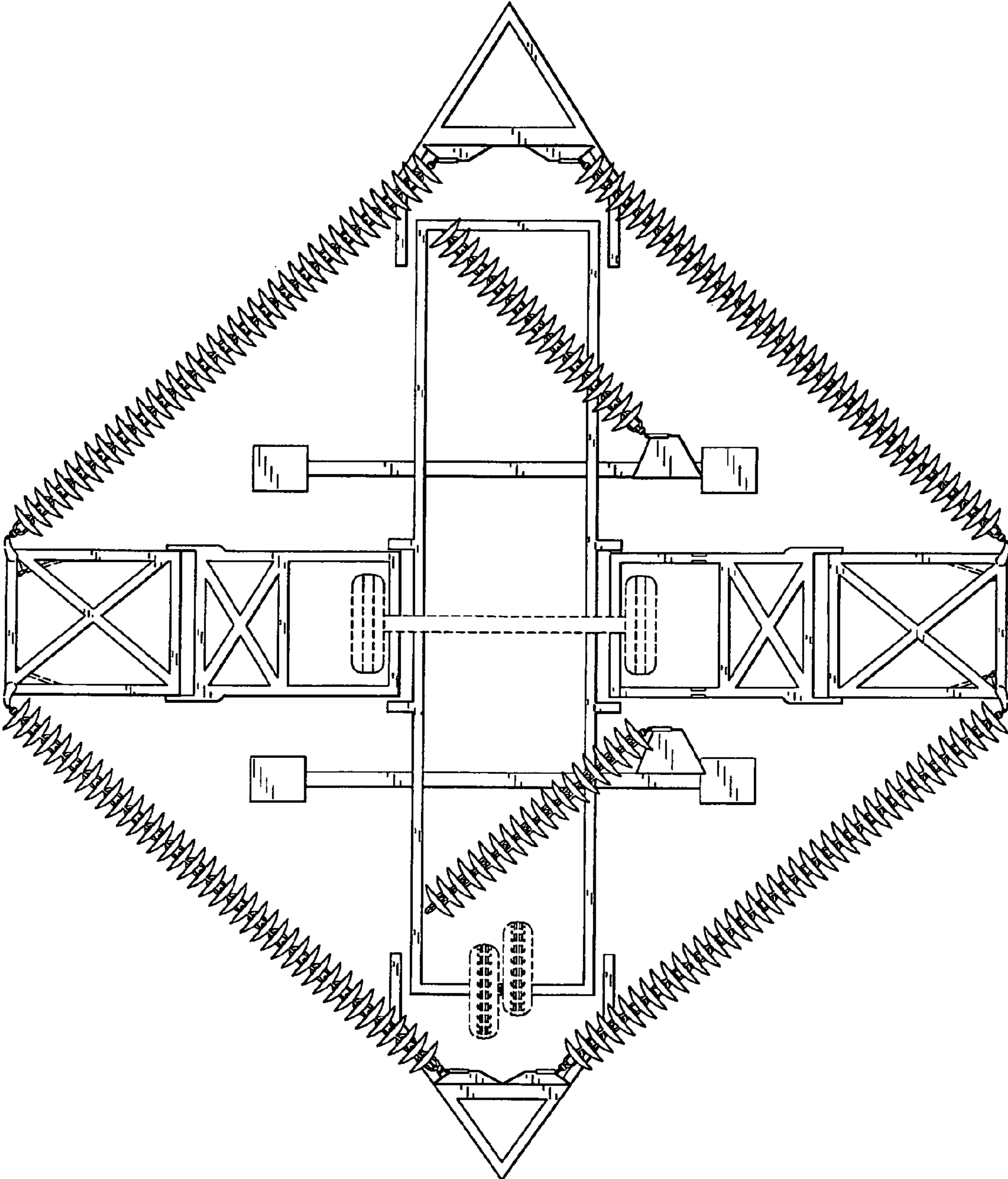


FIG. 7

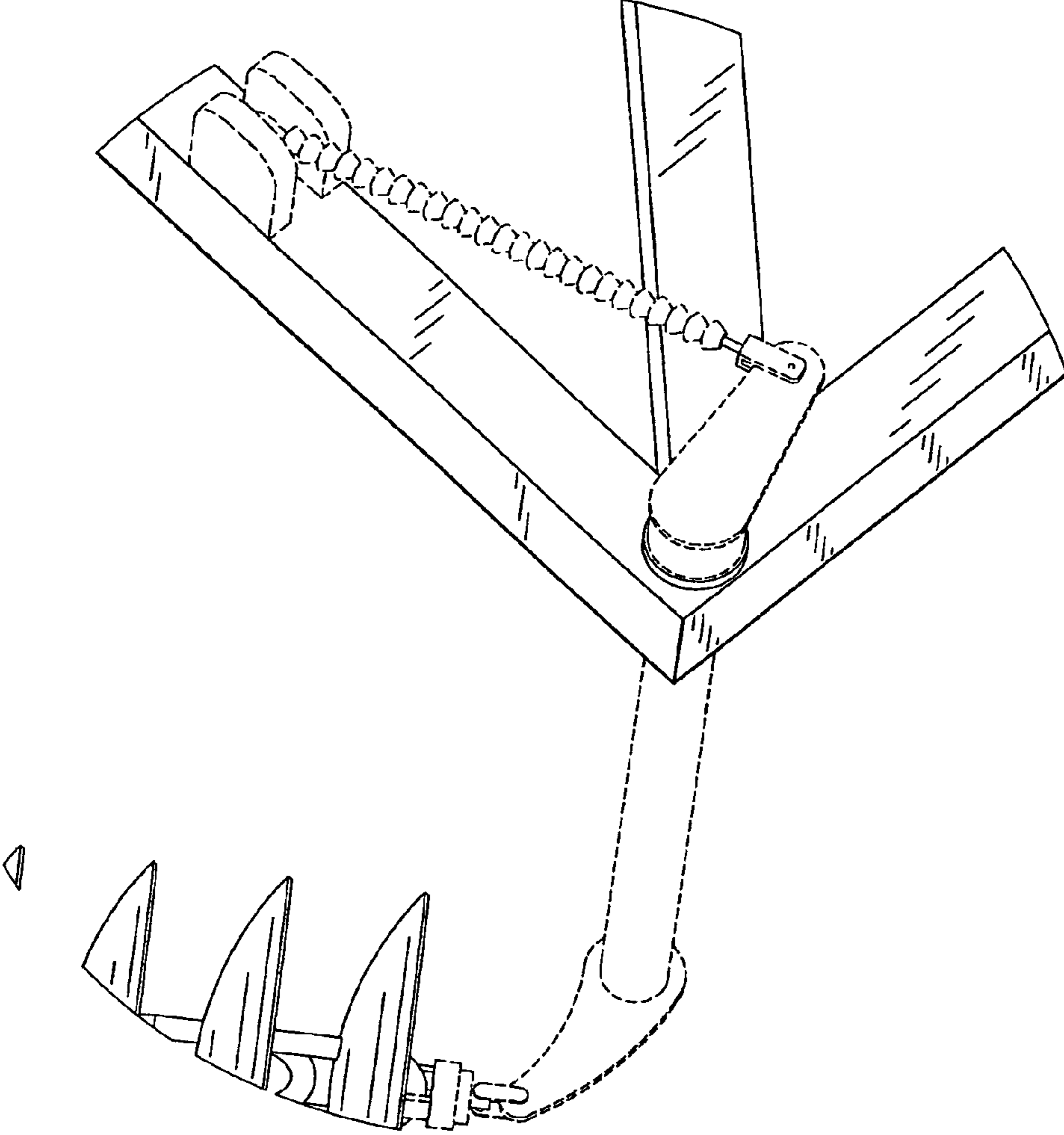


FIG. 8