



US00D615558S

(12) **United States Design Patent**  
**Stimpson et al.**

(10) **Patent No.:** **US D615,558 S**

(45) **Date of Patent:** **\*\* May 11, 2010**

(54) **SHOWER PUMP HOUSING**

(75) Inventors: **Robert William Stimpson**, Douglas (GB); **Gary Moore**, Suffolk (GB); **James Edward Self**, Colby (GB); **Ian Felmeri**, Braddan (GB); **Yanchun Wang**, Ballasalla (GB)

(73) Assignee: **DLP Limited**, Braddan, Isle of Man, Britis Isles (GB)

(\*\*) Term: **14 Years**

(21) Appl. No.: **29/346,602**

(22) Filed: **Nov. 3, 2009**

**Related U.S. Application Data**

(62) Division of application No. 29/296,582, filed on Oct. 24, 2007, now Pat. No. Des. 606,563.

(30) **Foreign Application Priority Data**

Apr. 28, 2007 (EM) ..... 000717541

(51) **LOC (9) Cl.** ..... **15-02**

(52) **U.S. Cl.** ..... **D15/7**

(58) **Field of Classification Search** ..... D15/7-9;  
D23/231, 232; 417/410.1, 359, 415-416,  
417/234, 321, 265, 405

See application file for complete search history.

(56) **References Cited**

**U.S. PATENT DOCUMENTS**

D440,231 S \* 4/2001 Craford et al. .... D15/7

D465,791 S \* 11/2002 Moan ..... D15/7  
D469,110 S \* 1/2003 Tseng ..... D15/7  
D489,733 S 5/2004 Leasure et al.  
D500,770 S \* 1/2005 Pohler ..... D15/7  
D541,818 S 5/2007 Rhea et al  
D551,681 S 9/2007 Rhea et al.  
D559,380 S 1/2008 Shapiro  
D565,600 S 4/2008 Tazioli  
D588,160 S 3/2009 Beale et al.  
D589,060 S \* 3/2009 Metcalfe ..... D15/7  
D590,420 S \* 4/2009 Casalini ..... D15/7  
D605,663 S 12/2009 Hopper

\* cited by examiner

*Primary Examiner*—Ralf Seifert

(74) *Attorney, Agent, or Firm*—Martin Fleit; Paul D. Bianco; Fleit Gibbons Gutam Bongini & Bianco PL

(57) **CLAIM**

The ornamental design for a shower pump housing, as shown and described.

**DESCRIPTION**

FIG. 1 is a perspective view of a shower pump housing showing our new design;

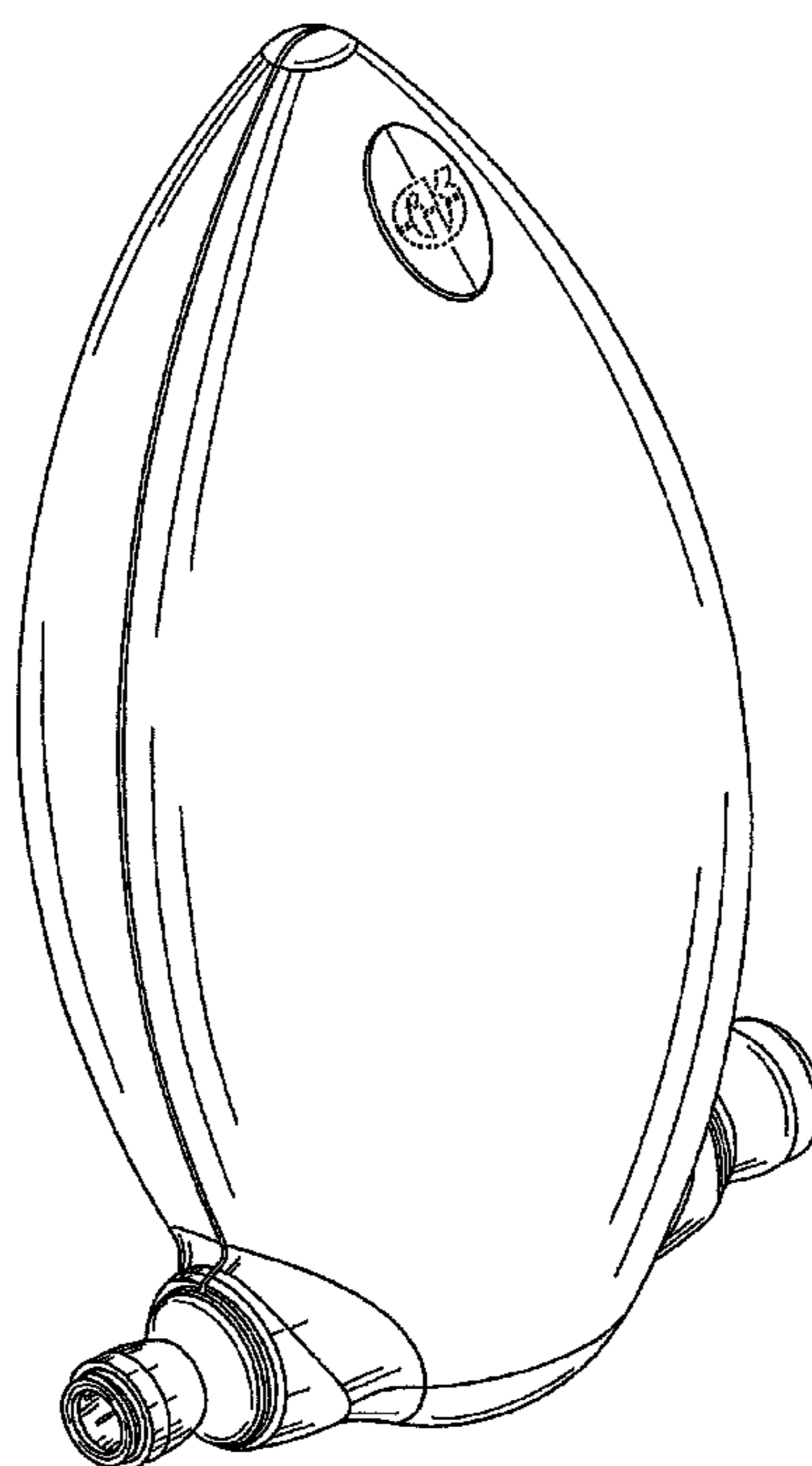
FIG. 2 is a front elevational view, the rear view not being shown as no ornamental features are disclosed there;

FIG. 3 is a left side elevational view, the right side view being a mirror image; and,

FIG. 4 is a bottom plan view.

The broken line representations are for illustrative purposes only and form no part of the claimed design.

**1 Claim, 4 Drawing Sheets**



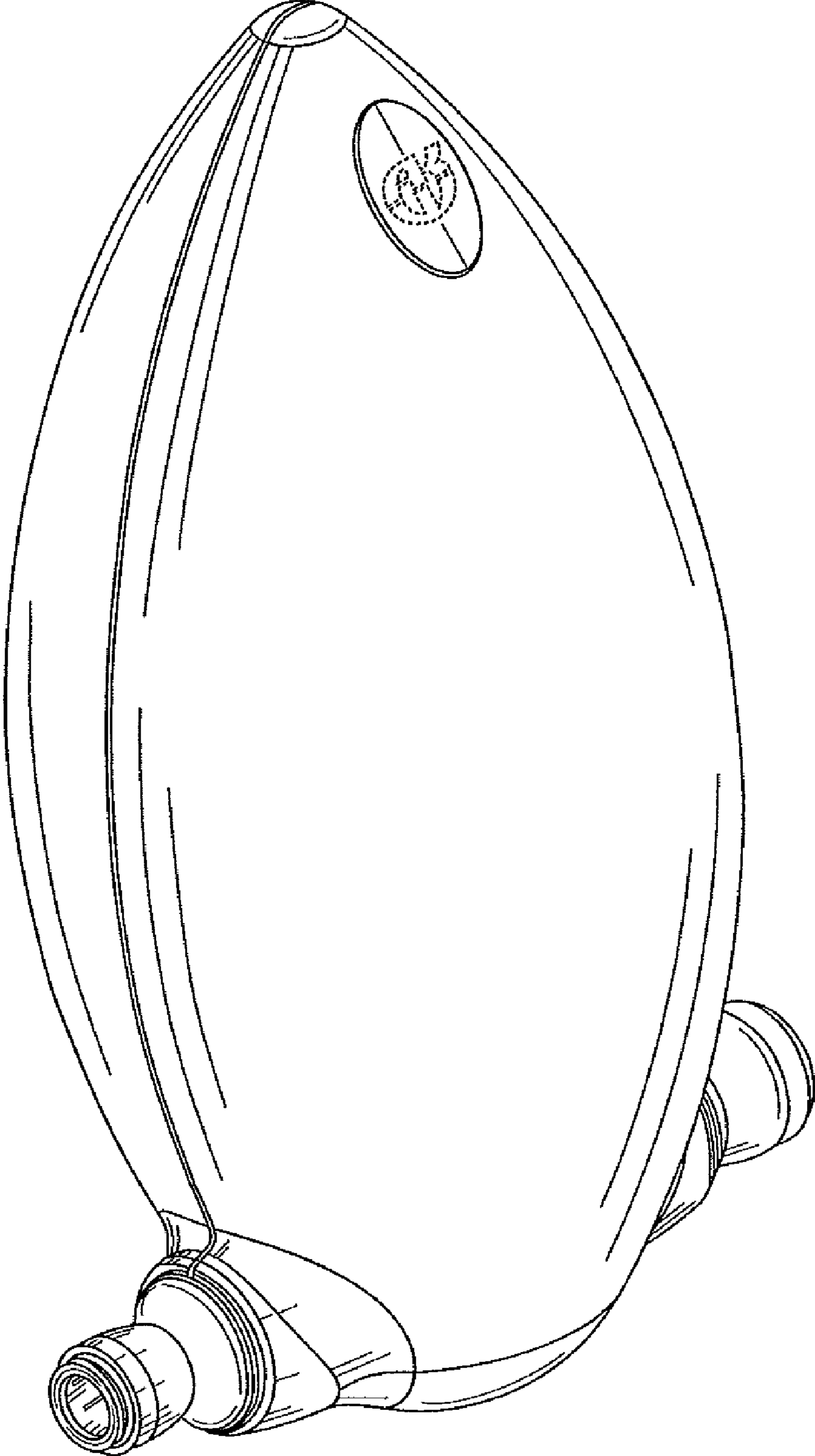


FIG. 1

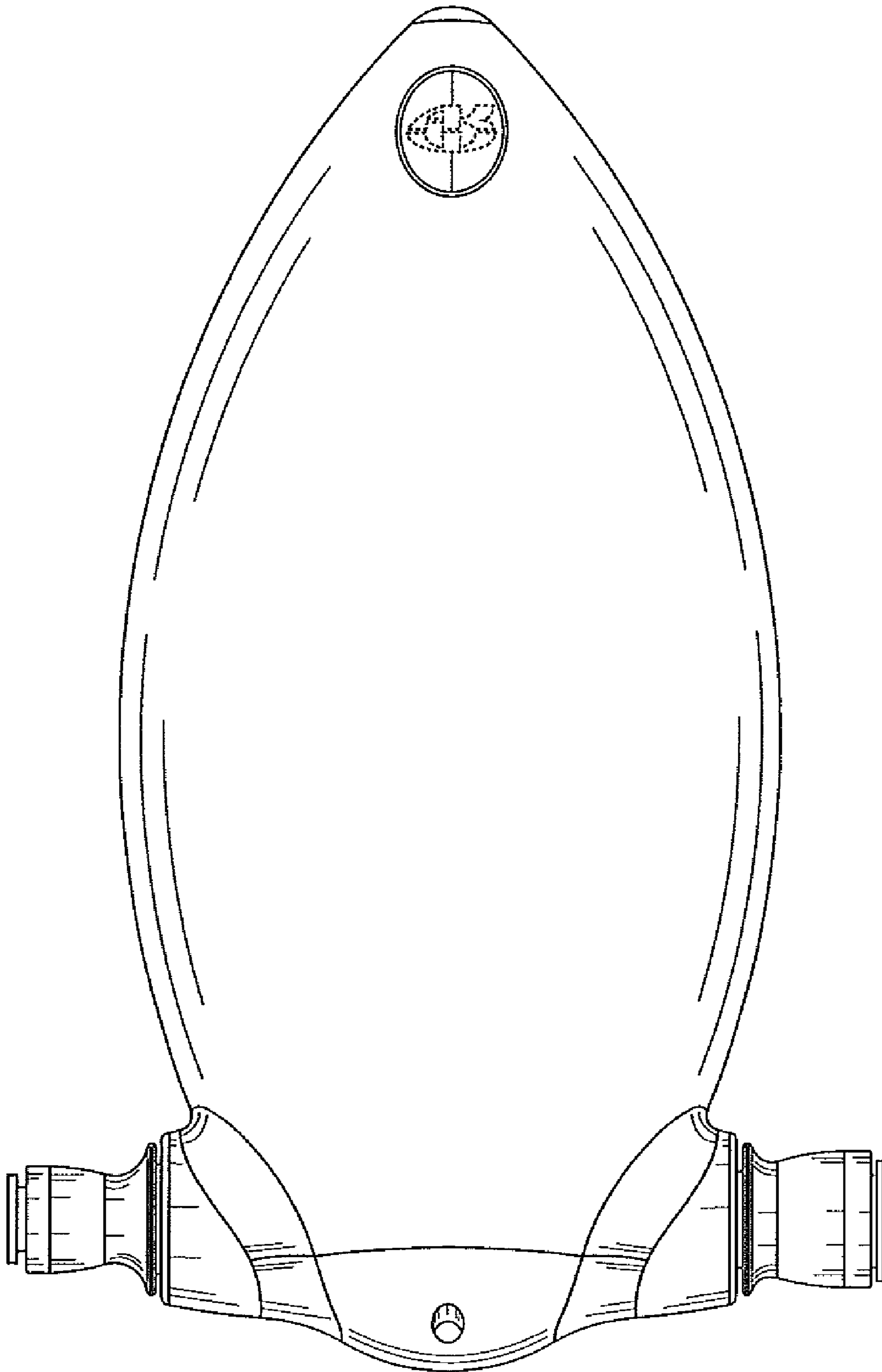


FIG. 2

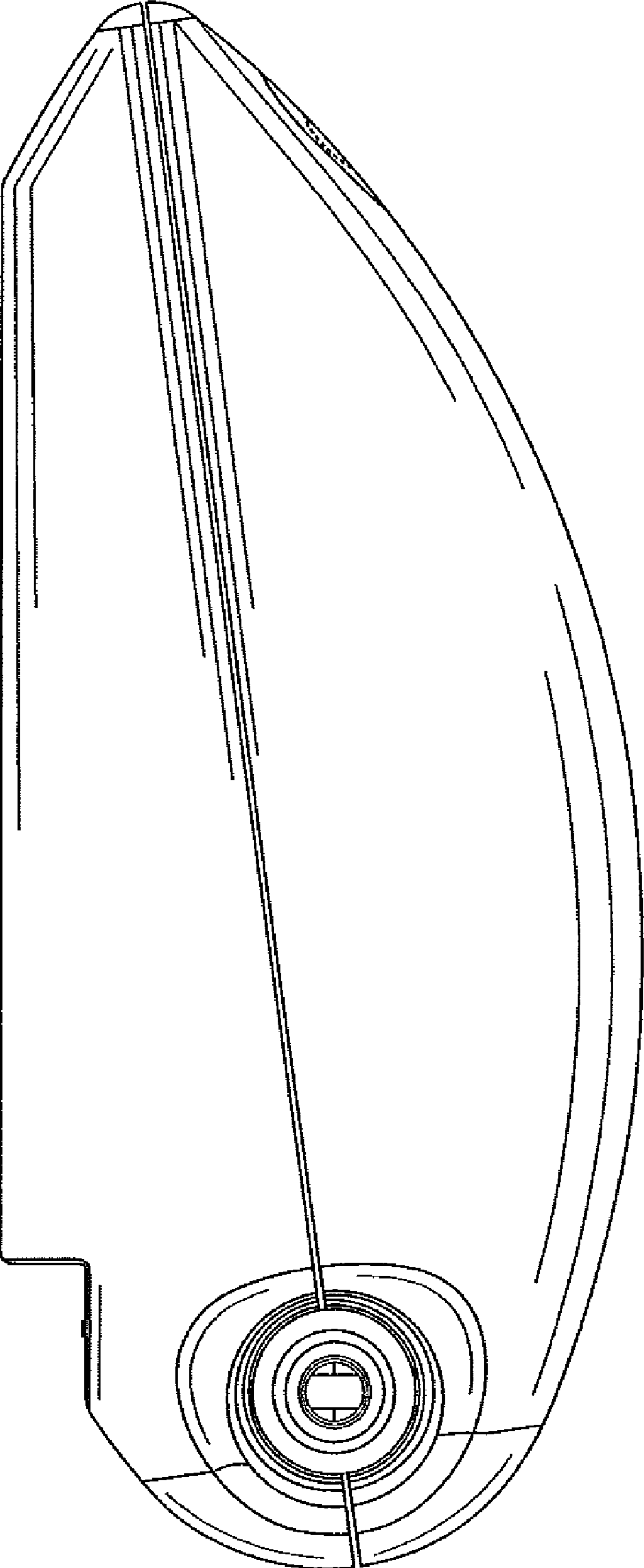


FIG. 3

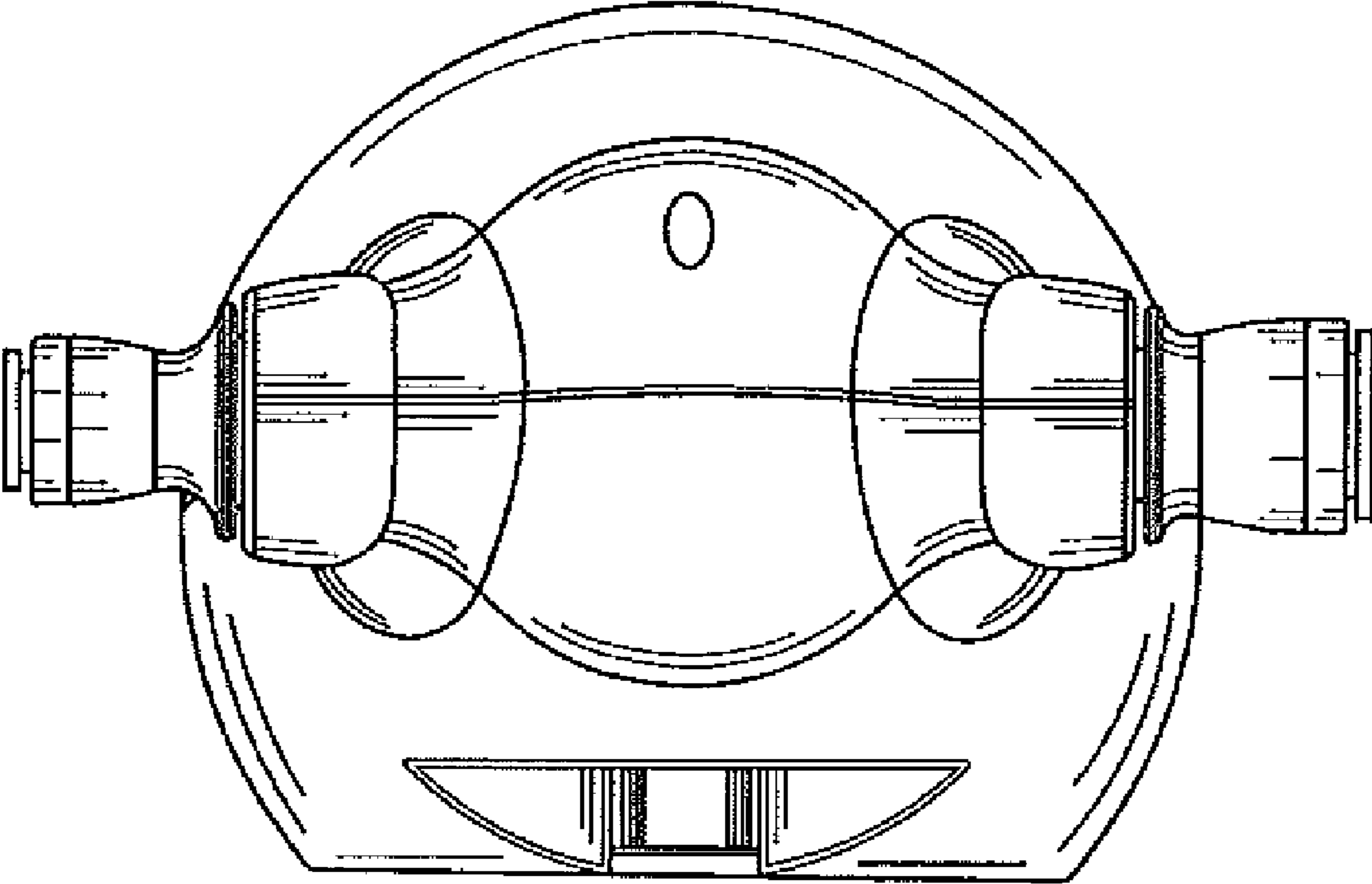


FIG. 4