



US00D615557S

(12) **United States Design Patent**  
**Mayer et al.**

(10) **Patent No.:** **US D615,557 S**

(45) **Date of Patent:** **\*\* May 11, 2010**

(54) **REWIND COVER FOR AN ENGINE**

D322,075 S \* 12/1991 Jennings et al. .... D15/5  
D387,357 S 12/1997 Gilmore  
D457,891 S 5/2002 Matre  
D483,473 S \* 12/2003 Shapiro ..... D23/412

(75) Inventors: **Bart Mayer**, Fond du Lac, WI (US);  
**John Sigrist**, Greenfield, WI (US); **Carl Tiefenthaler**, Jackson, WI (US);  
**Michael Schultz**, Menomonee Falls, WI (US)

(Continued)

**OTHER PUBLICATIONS**

(73) Assignee: **Briggs and Stratton Corporation**,  
Wauwatosa, WI (US)

Kawasaki, Four-Cycle Engines, Kawasaki FJ180V, website, [http://www.kawpowr.com/4cycle/fj180v\\_specs.html](http://www.kawpowr.com/4cycle/fj180v_specs.html), 1 page, Feb. 2, 2005.

(\*\*) Term: **14 Years**

(Continued)

(21) Appl. No.: **29/336,174**

*Primary Examiner*—Ian Simmons

*Assistant Examiner*—Wan Laymon

(22) Filed: **Apr. 29, 2009**

(74) *Attorney, Agent, or Firm*—Michael Best & Friedrich LLP

**Related U.S. Application Data**

(62) Division of application No. 29/299,516, filed on Dec. 28, 2007, now Pat. No. Des. 594,476.

(57) **CLAIM**

We claim the ornamental design for a rewind cover for an engine, as shown and described.

(51) **LOC (9) Cl.** ..... **15-01**

(52) **U.S. Cl.** ..... **D15/5; D23/412**

(58) **Field of Classification Search** ..... D15/1-5,  
D15/149; D23/381-382, 411-412; D12/164,  
D12/166; D13/112, 184, 199; 123/50 B,  
123/50 A, 198 E, 306, 308, 65 R, 70 R, 661,  
123/667, 195 C

**DESCRIPTION**

See application file for complete search history.

FIG. 1 is a perspective view of a rewind cover for an engine embodying the invention;

FIG. 2 is a top view of the rewind cover of FIG. 1;

FIG. 3 is a bottom view of the rewind cover of FIG. 1;

FIG. 4 is a first side view of the rewind cover of FIG. 1;

FIG. 5 is another side view opposite the first side view of the rewind cover of FIG. 1;

FIG. 6 is a front view of the rewind cover of FIG. 1; and,

FIG. 7 is a rear view of the rewind cover of FIG. 1.

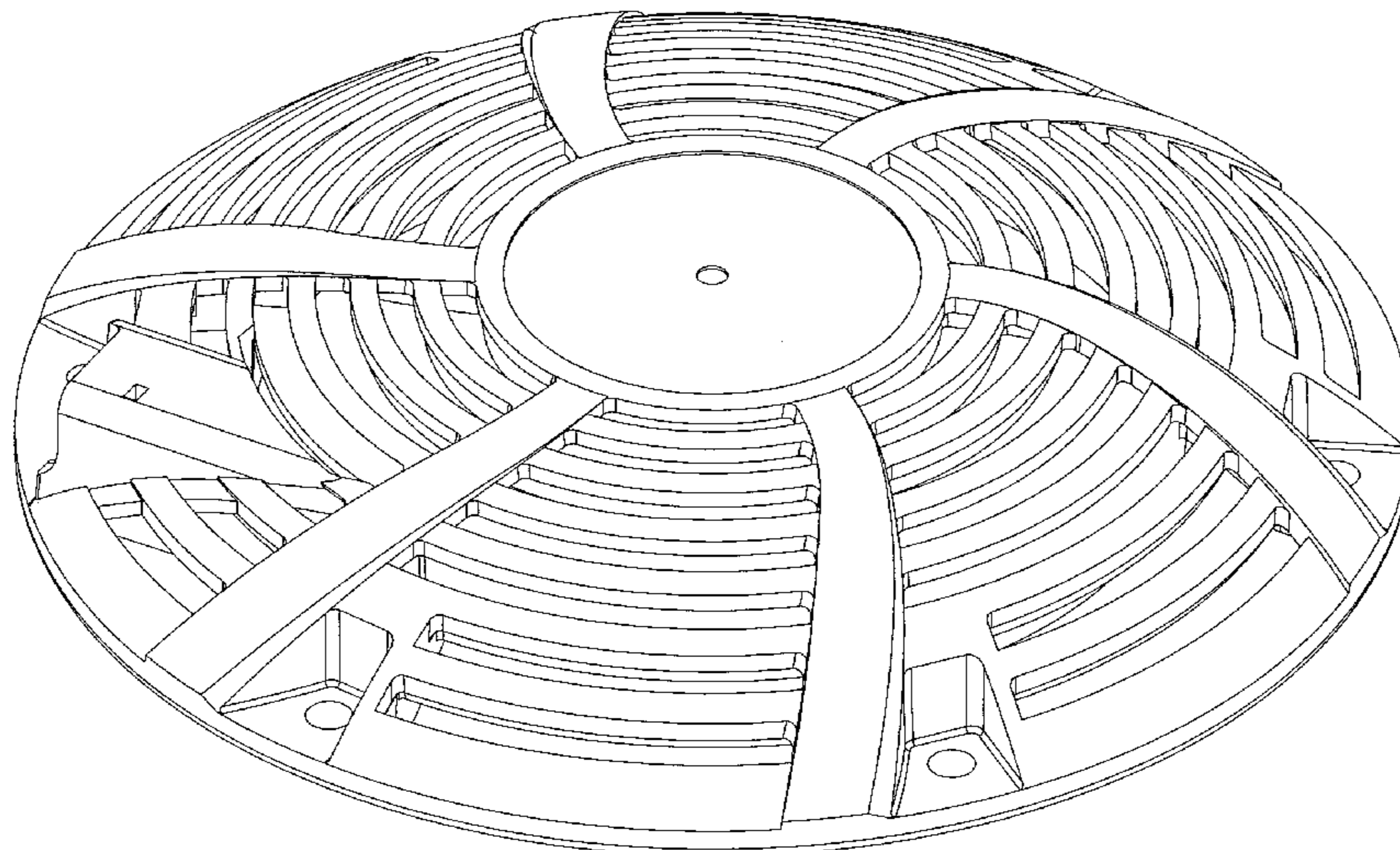
The broken line portions are for illustrative purposes only and form no part of the claimed design.

(56) **References Cited**

**U.S. PATENT DOCUMENTS**

D247,177 S 2/1978 Stevens  
D257,844 S 1/1981 Stevens  
D269,783 S \* 7/1983 Heater ..... D15/5  
D308,871 S 6/1990 Harkness et al.  
D308,872 S 6/1990 Harkness et al.  
D309,457 S 7/1990 Eifert et al.  
D309,458 S 7/1990 Johnson et al.

**1 Claim, 5 Drawing Sheets**



U.S. PATENT DOCUMENTS

D484,889 S	1/2004	Neeley et al.	
D492,402 S	* 6/2004	Shapiro .....	D23/412
D513,012 S	12/2005	Strandell et al.	
D513,754 S	1/2006	Strandell et al.	
D517,672 S	3/2006	Schmitt et al.	
D518,157 S	3/2006	Clark et al.	
D522,533 S	6/2006	Diiulio	
D525,991 S	8/2006	Walters	
D527,022 S	8/2006	Walters	
D527,741 S	9/2006	Vervoorn	
D528,127 S	9/2006	Nagel et al.	
D529,924 S	10/2006	Ryczek et al.	
D529,925 S	10/2006	Strandell et al.	
D531,638 S	11/2006	Drew et al.	
D531,641 S	11/2006	Schultz et al.	
D536,004 S	1/2007	Ryczek et al.	
D537,396 S	2/2007	Drew et al.	
D538,823 S	3/2007	Vervoorn	
D539,818 S	* 4/2007	Giddens .....	D15/5
D540,819 S	4/2007	Schmitt et al.	
D540,928 S	4/2007	Matel et al.	
D541,300 S	4/2007	Geisheker et al.	
D541,303 S	4/2007	Drew et al.	
D548,750 S	8/2007	Neeley et al.	
D549,241 S	* 8/2007	Giddens .....	D15/5
D549,733 S	8/2007	Strandell et al.	
D553,645 S	10/2007	Drew et al.	
D561,784 S	* 2/2008	Yin et al. ....	D15/1
D583,831 S	12/2008	Post et al.	
D585,459 S	1/2009	Jing	
D598,471 S	* 8/2009	Wang et al. ....	D15/1

OTHER PUBLICATIONS

Kawasaki, Four-Cycle Engines, Kawasaki FC290v, website, [http://www.kawpowr.com/4\\_cycle/fc290v\\_specs.html](http://www.kawpowr.com/4_cycle/fc290v_specs.html), 1 page, Feb. 2, 2005.

Kawasaki, Four-Cycle Engines, Kawasaki FH721D, website, [http://www.kawpowr.com/4cycle/fh721d\\_specs.html](http://www.kawpowr.com/4cycle/fh721d_specs.html), 1 page, Feb. 2, 2005.

Kawasaki, Four-Cycle Engines, Kawasaki FH601D, website, [http://www.kawpowr.com/4cycle/fh601d\\_specs.html](http://www.kawpowr.com/4cycle/fh601d_specs.html), 1 page, Feb. 2, 2005.

Kawasaki, Four-Cycle Engines Kawasaki FH601V, website, [http://www.kawpowr.com/4cycle/fh601v\\_specs.html](http://www.kawpowr.com/4cycle/fh601v_specs.html), 1 page, Feb. 2, 2005.

Kawasaki, Four-Cycle Engines, Kawasaki FH500V, website, [http://www.kawpowr.com/4cycle/fh500v\\_specs.html](http://www.kawpowr.com/4cycle/fh500v_specs.html), 1 page, Feb. 2, 2005.

Kawasaki, Four-Cycle Engines, Kawasaki FC150V, website, [http://www.kawpowr.com/4cycle/fc150v\\_specs.html](http://www.kawpowr.com/4cycle/fc150v_specs.html), 1 page, Feb. 2, 2005.

Kawasaki, Four-Cycle Engines, Kawasaki FH721V, website, [http://www.kawpowr.com/4cycle/fh721v\\_specs.html](http://www.kawpowr.com/4cycle/fh721v_specs.html), 1 page, Feb. 2, 2005.

Tecumseh Power Company; Walk-Behind Engines & Transmissions Horsepower Range: 3.5-7.0, website <http://www.tecumsehpower.com/Products/WalkBehind/index.php>, 1 page, Feb. 2, 2005.

Kohler Co. Engine Division; Kohler Engines Born to Run Owner's Manual, Command 11-16 HP Vertical Crankshaft; Cover Sheet, Revised Sep. 1999, Kohler Co. Engine Division, Kohler, Wisconsin, USA.

Kohler Co. Engine Division; Kohler Engines Born to Run Owner's Manual, Command 18-26 HP Horizontal Crankshaft; Cover Sheet, Revised May 1999, Kohler Co. Engine Division, Kohler, Wisconsin, USA.

Kohler Co. Engine Division; Kohler Engines Born to Run Owner's Manual, Command 11-15 HP Horizontal Crankshaft; Cover Sheet, Revised Apr. 1999, Kohler Co. Engine Division, Kohler, Wisconsin, USA.

Kohler Co. Engine Division; Kohler Engines Born to Run Owner's Manual, Magnum 8,12,16 HP Horizontal Crankshaft; Cover Sheet, Revised Dec. 2001, Kohler Co. Engine Division, Kohler, Wisconsin, USA.

Kohler Co. Engine Division; Kohler Engines Service Manual, Courage Series SV470-600 Vertical Crankshaft; website [http://www.kohlerengines.com/onlinecatalog/detail.jsp?prod\\_num=Hydro+13](http://www.kohlerengines.com/onlinecatalog/detail.jsp?prod_num=Hydro+13), Cover Sheet, Feb. 2, 2005, Kohler Co. Engine Division, Kohler, Wisconsin, USA.

Kohler Co. Engine Division; Kohler Engines Kohler Triad OHC; website [http://www.kohlerengines.com/onlinecatalog/enginefamily.jsp?engine\\_family\\_name=Triad+OHC](http://www.kohlerengines.com/onlinecatalog/enginefamily.jsp?engine_family_name=Triad+OHC), Cover Sheet Feb. 2, 2005, Kohler Co. Engine Division, Kohler, Wisconsin, USA.

Honda Engines, Honda GC Series Engines, brochure, 2003, 10 pages, American Honda Motor Co, Inc.

\* cited by examiner

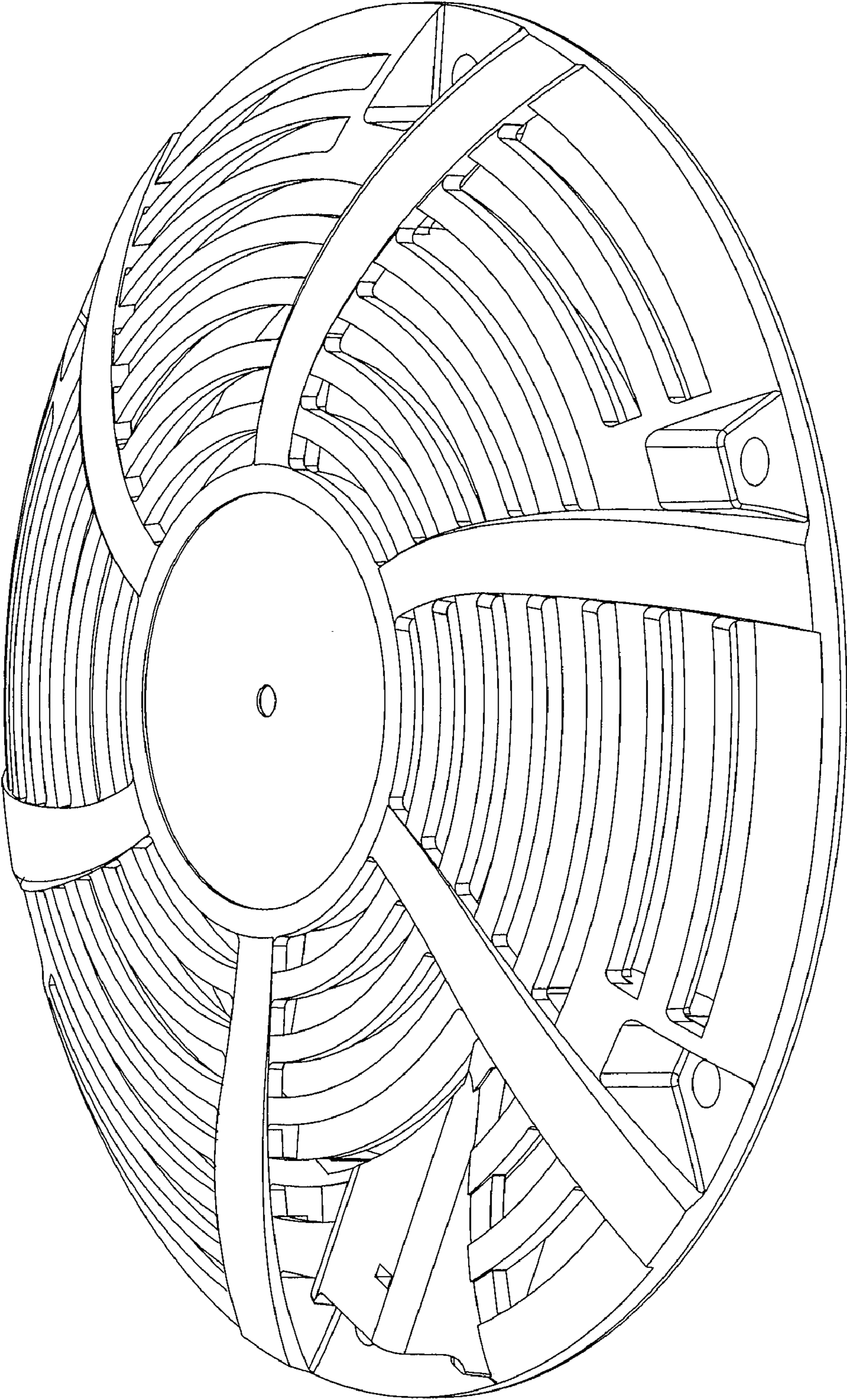
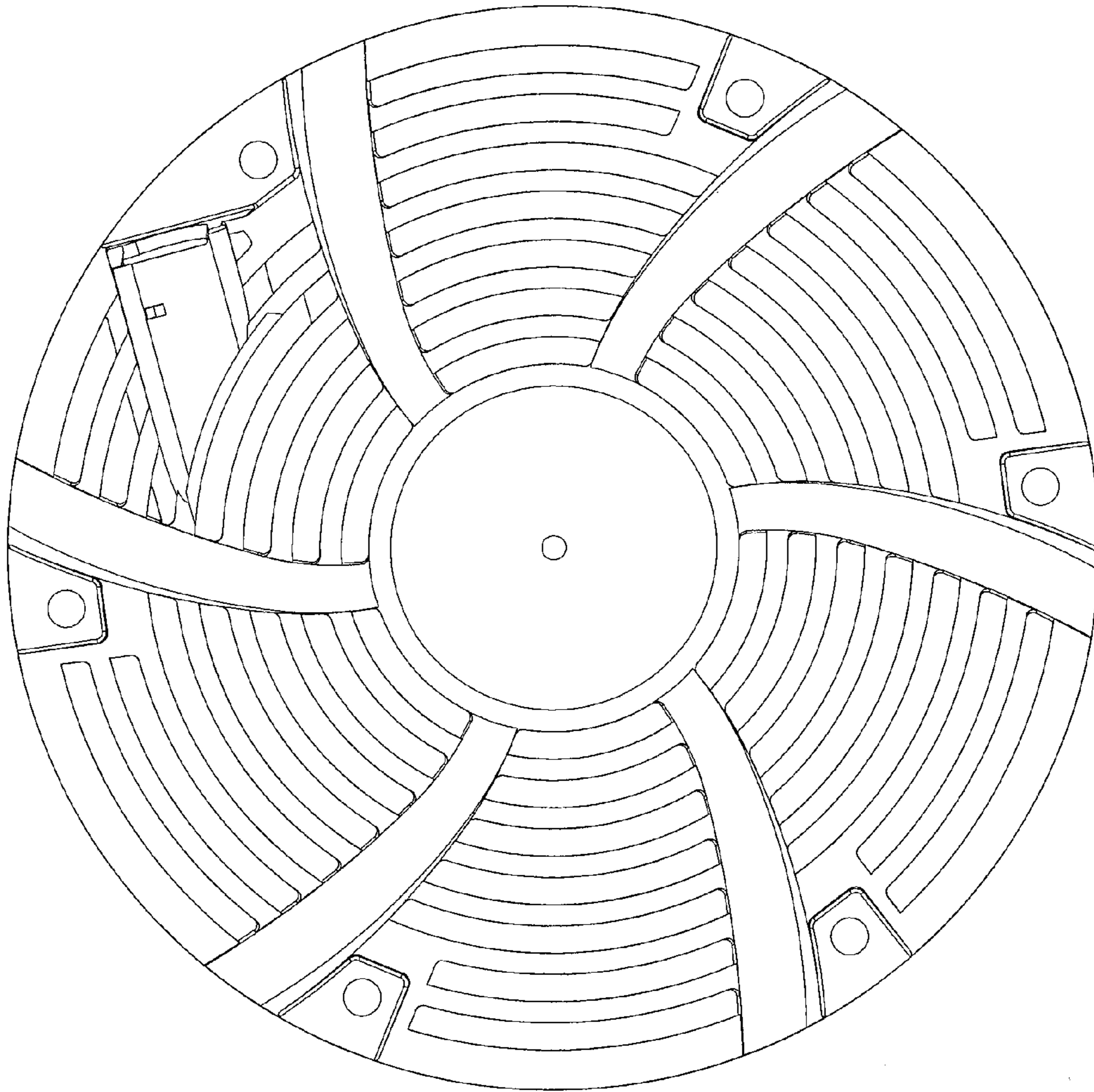


FIG. 1



**FIG. 2**

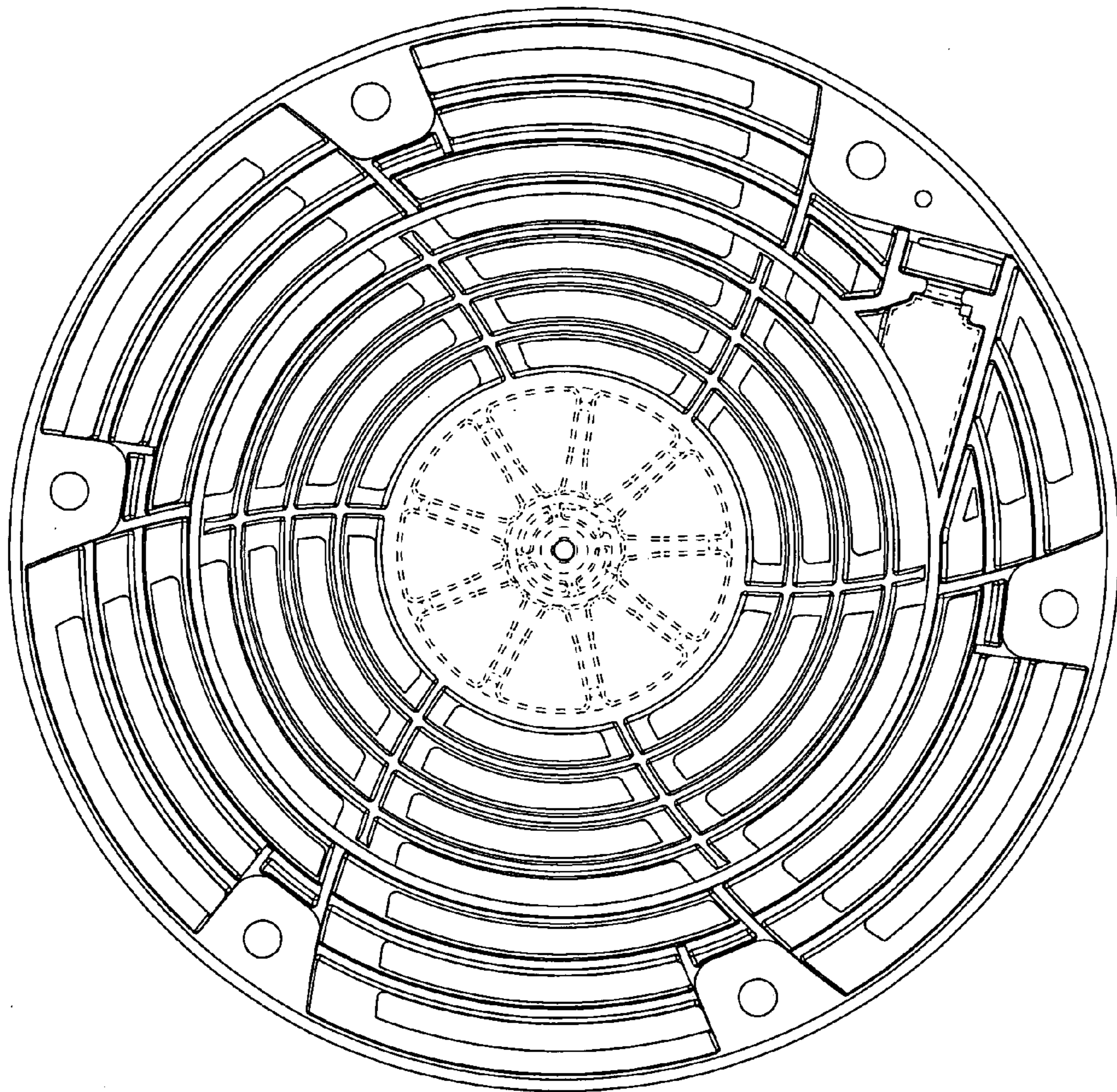
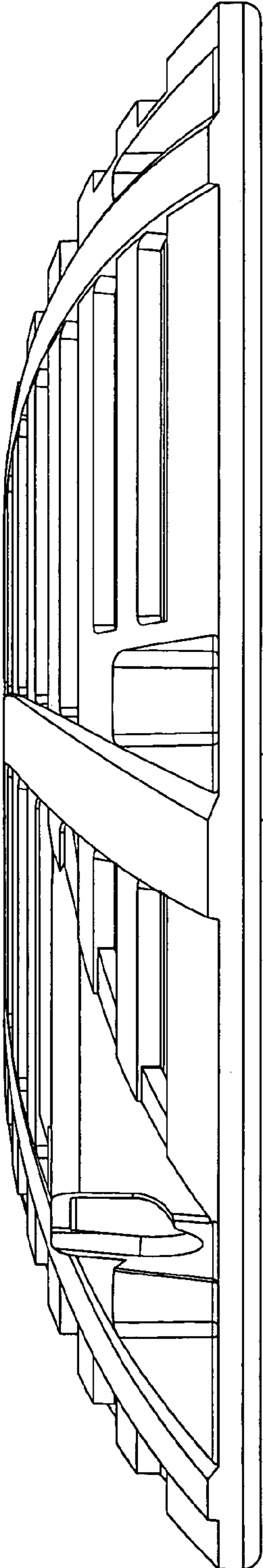
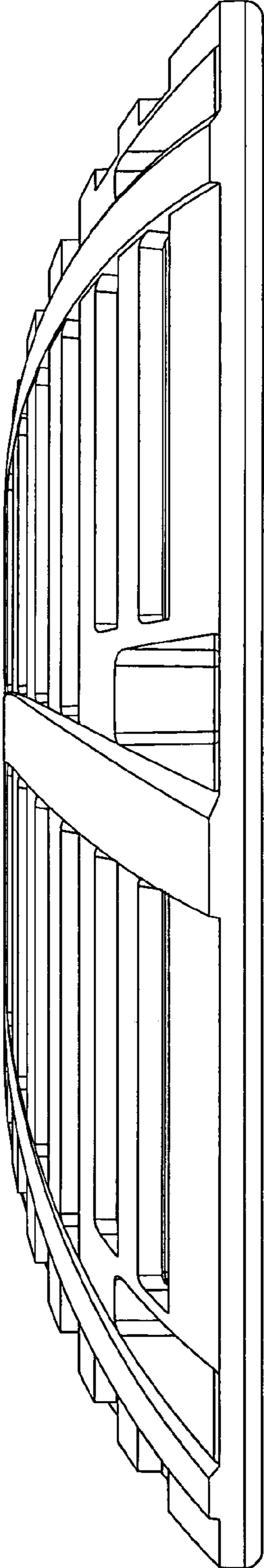


FIG. 3



**FIG. 4**



**FIG. 5**

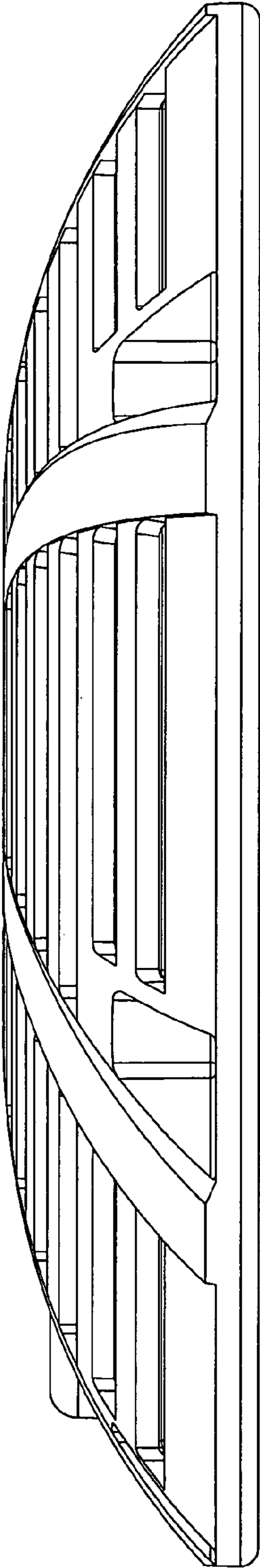


FIG. 6

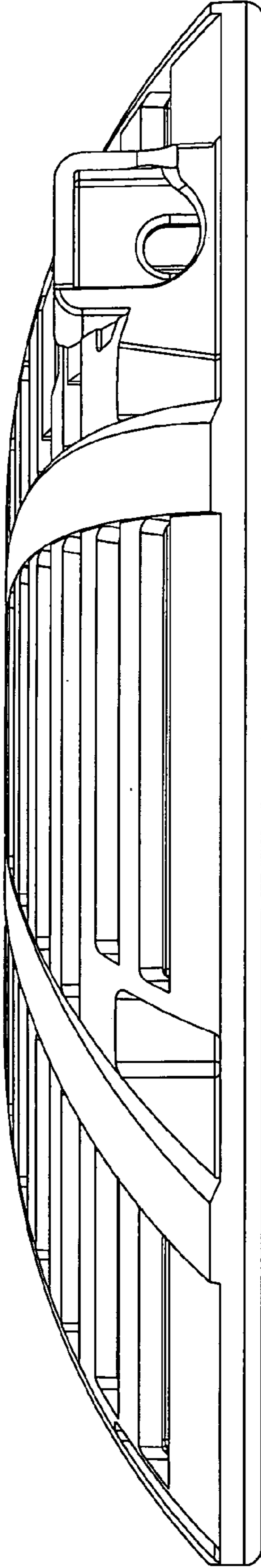


FIG. 7