



US00D615556S

(12) **United States Design Patent**
Yeo et al.

(10) **Patent No.:** **US D615,556 S**
(45) **Date of Patent:** **** May 11, 2010**

(54) **MP3 PLAYER**

(75) Inventors: **Inyoung Yeo**, Seoul (KR); **Goangtae Kim**, Seoul (KR)

(73) Assignee: **Samsung Electronics Co., Ltd.**, Suwon-si, Gyeonggi-do (KR)

(**) Term: **14 Years**

(21) Appl. No.: **29/345,505**

(22) Filed: **Oct. 16, 2009**

(51) **LOC (9) Cl.** **14-03**

(52) **U.S. Cl.** **D14/496; D14/203.3**

(58) **Field of Classification Search** D14/496,
D14/401, 435, 474, 483, 217, 137, 138, 160,
D14/168, 356, 203.1–203.8, 507; 345/156,
345/169, 173–179, 905; 715/727–729, 864;
710/1, 5, 8; 713/1, 600; 455/1.1, 1.7, 73,
455/344–347, 93, 95, 3.01–3.06, 550.1, 573.1;
370/342–344; 369/1, 2, 6–12; 463/43–47;
273/148 B; D9/432; 229/201

See application file for complete search history.

(56) **References Cited**

U.S. PATENT DOCUMENTS

5,664,292 A * 9/1997 Chen 24/3.11
5,914,707 A * 6/1999 Kono 345/173
D461,187 S * 8/2002 Andre et al. D14/356
6,565,444 B2 * 5/2003 Nagata et al. 463/46

D491,911 S * 6/2004 Jung D14/203.7
D504,409 S * 4/2005 Kim D14/203.3
6,966,651 B2 * 11/2005 Johnson 353/15
D512,404 S * 12/2005 Yang D14/203.3
D520,519 S * 5/2006 Chin et al. D14/203.3
D532,426 S * 11/2006 Lee et al. D14/203.3
D546,347 S * 7/2007 Millora D14/496
D577,743 S * 9/2008 Liu D14/496
D580,952 S * 11/2008 Liu D14/496

* cited by examiner

Primary Examiner—Prabhakar Deshmukh

(57) **CLAIM**

The ornamental design for an MP3 player, as shown and described.

DESCRIPTION

FIG. 1 is a perspective view of an MP3 player showing our new design;

FIG. 2 is a front elevational view thereof;

FIG. 3 is a rear elevational view thereof;

FIG. 4 is a left side elevational view thereof;

FIG. 5 is a right side elevational view thereof;

FIG. 6 is a top plan view thereof; and,

FIG. 7 is a bottom plan view thereof.

The broken lines in the drawings are for illustrative purpose only and form no part of the claimed design.

1 Claim, 7 Drawing Sheets

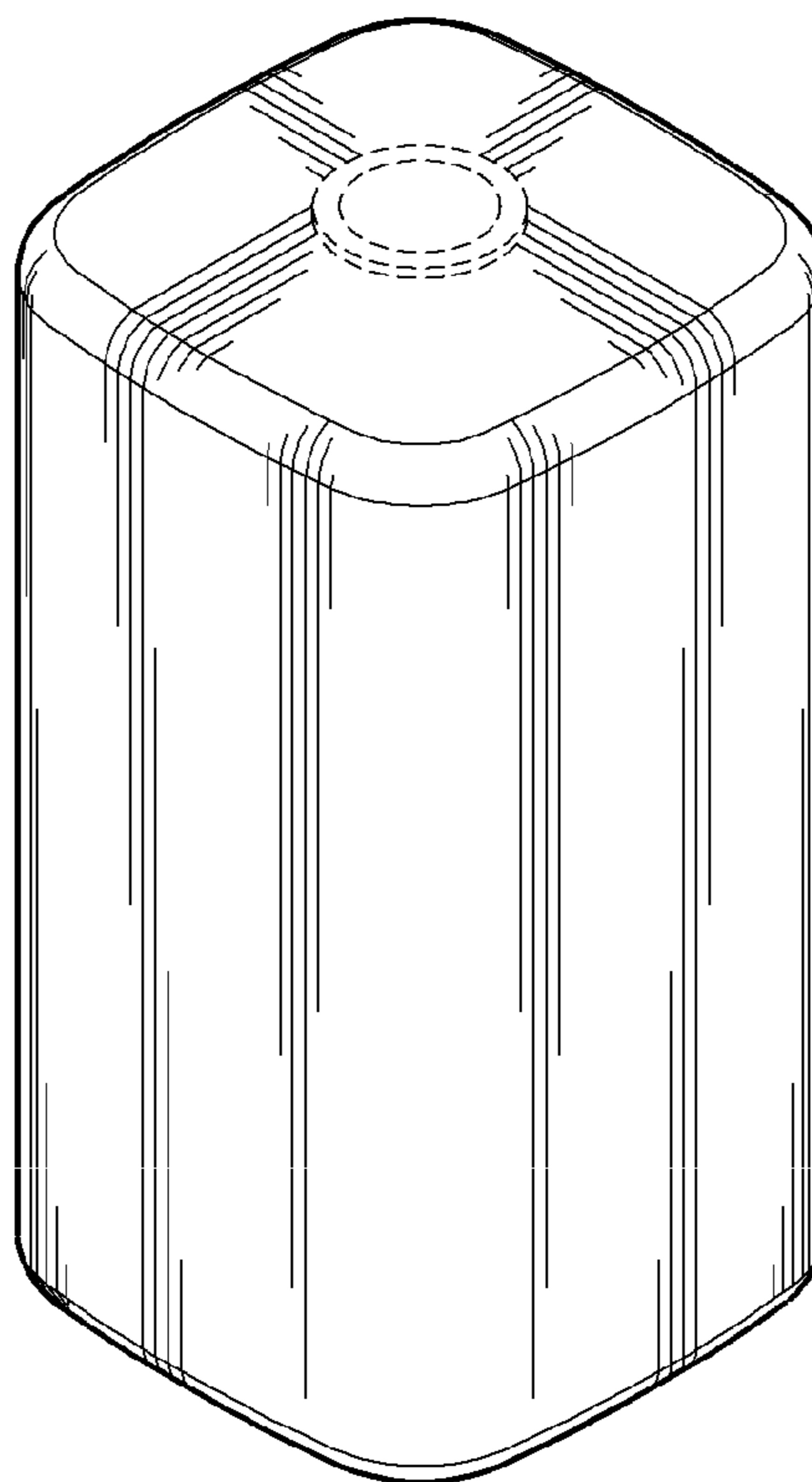


FIG. 1

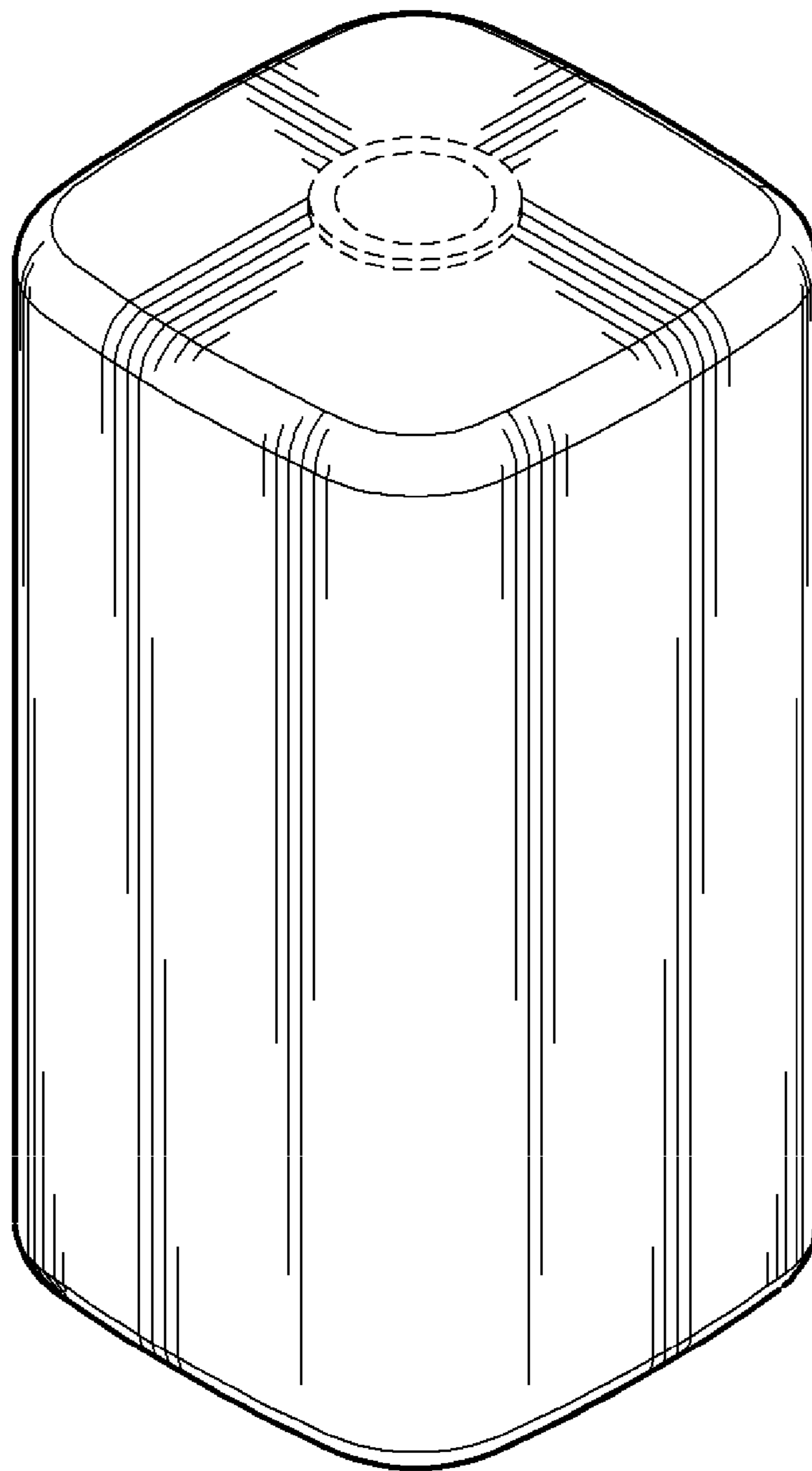


FIG. 2

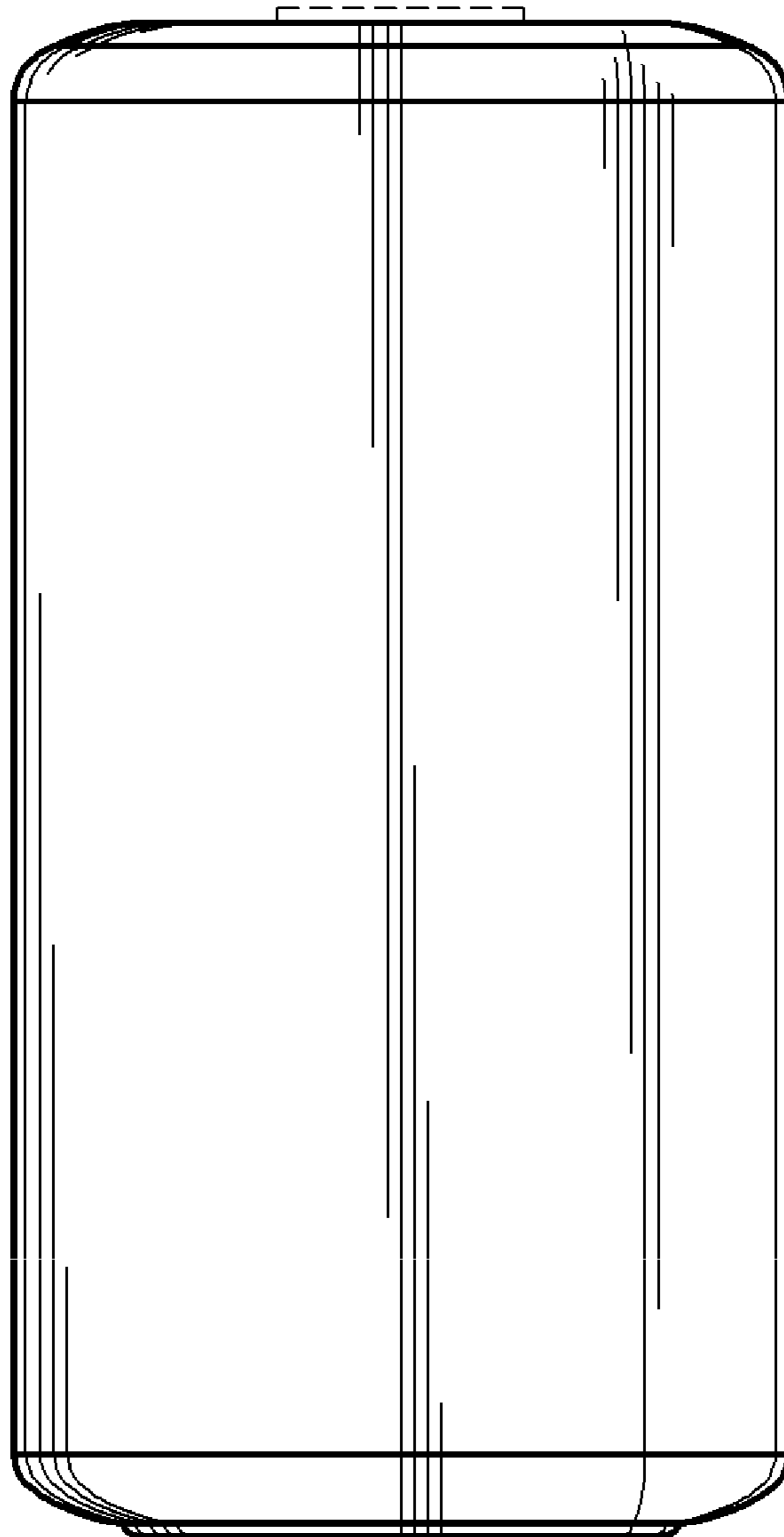


FIG. 3

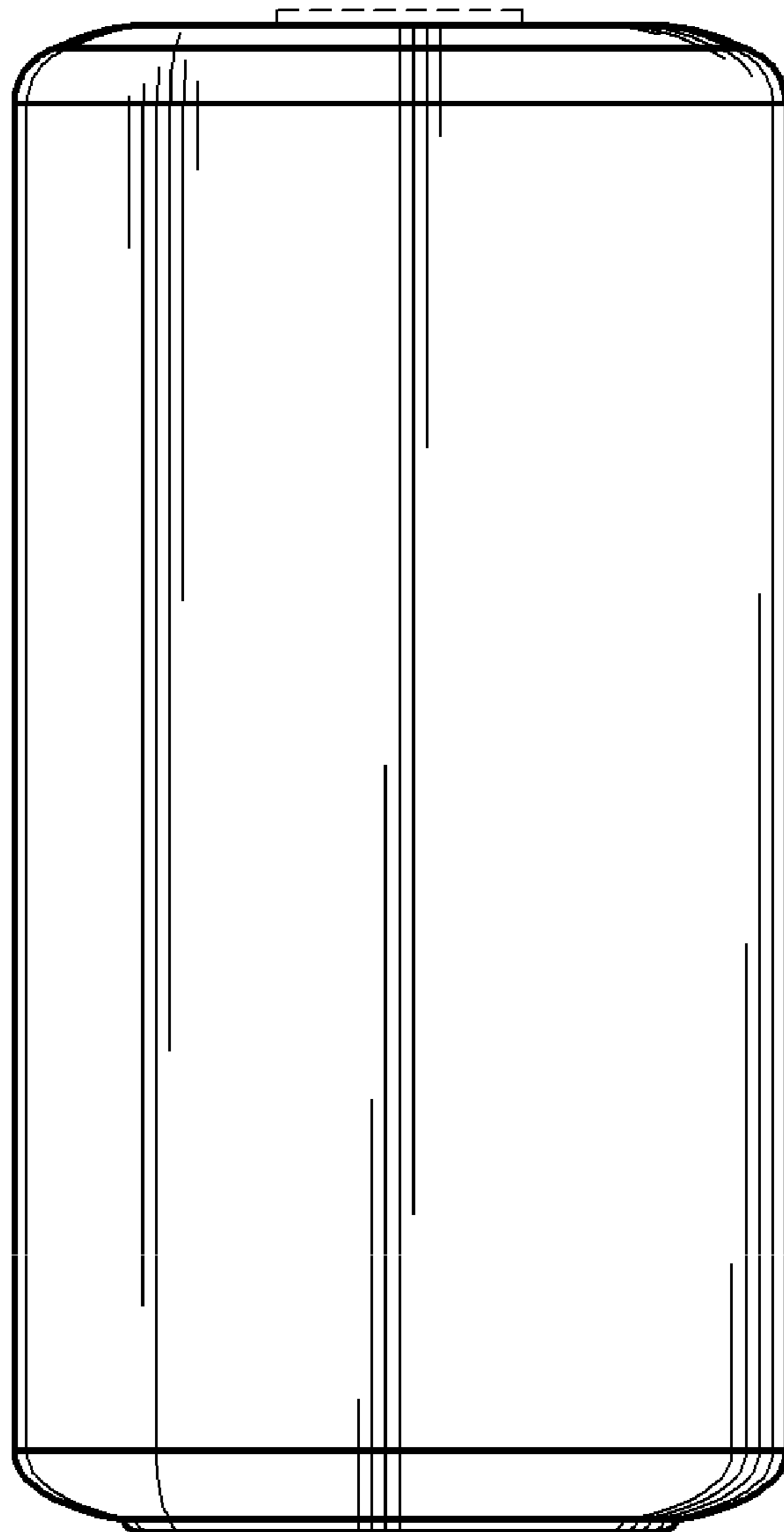


FIG. 4

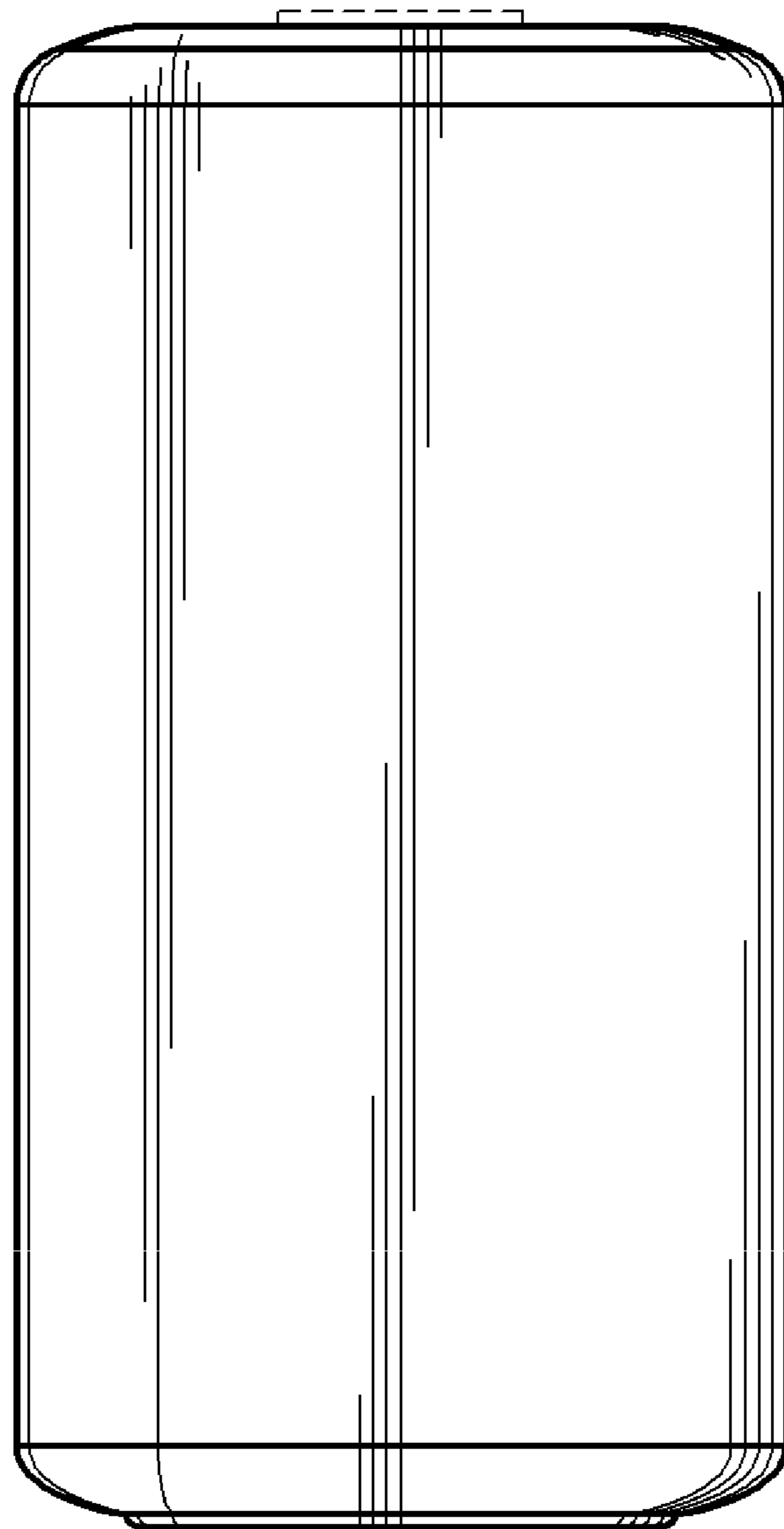


FIG. 5

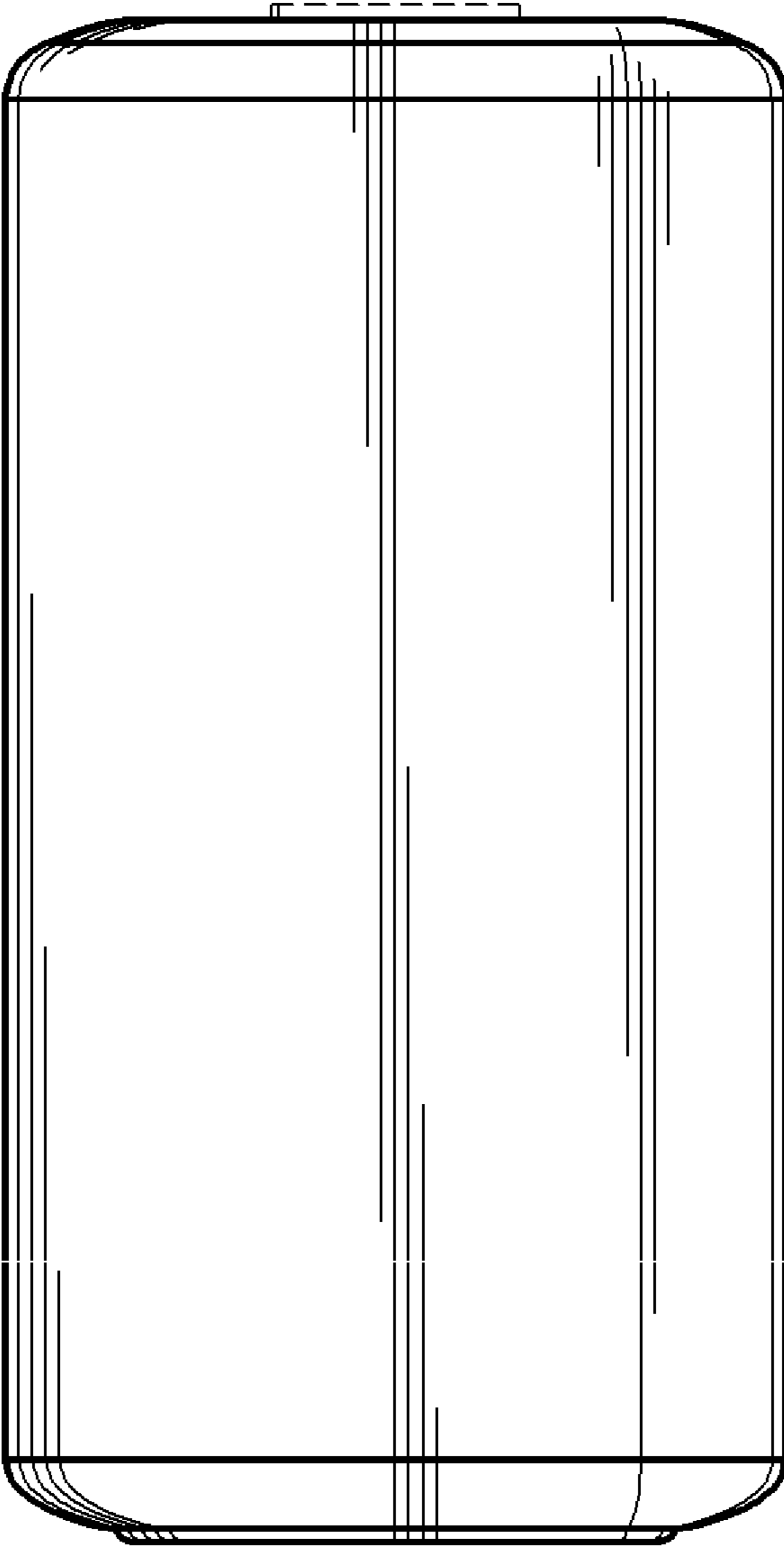


FIG. 6

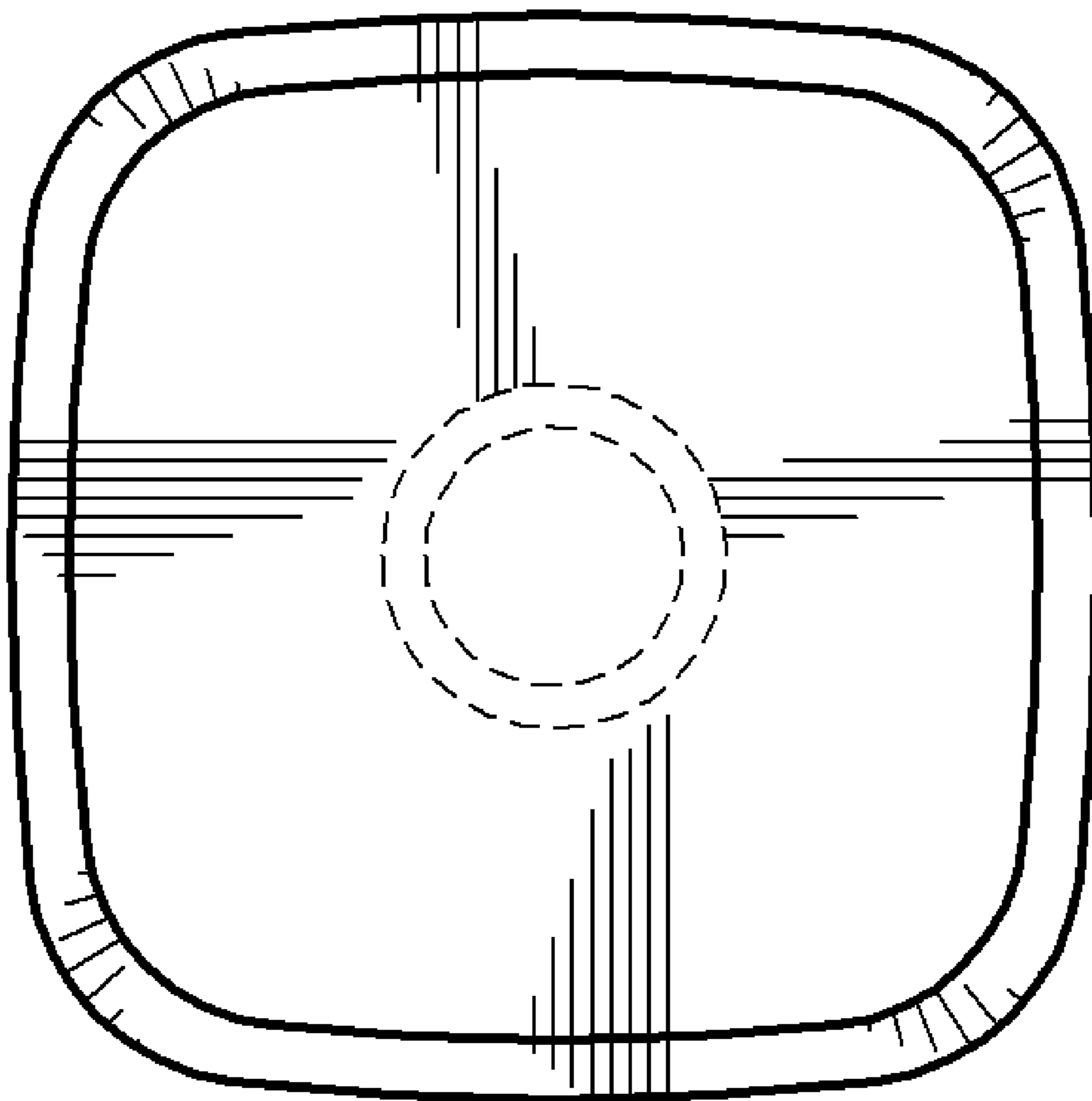


FIG. 7

