



US00D61555S

(12) **United States Design Patent**
Ho

(10) **Patent No.:** **US D615,555 S**

(45) **Date of Patent:** **** May 11, 2010**

(54) **MP3 PLAYER**

(75) Inventor: **Yat Fung Chris Ho**, Kowloon (HK)

(73) Assignee: **First Audio Manufacturing (Hong Kong) Limited**, Hong Kong (HK)

(**) Term: **14 Years**

(21) Appl. No.: **29/334,372**

(22) Filed: **Mar. 25, 2009**

(51) **LOC (9) Cl.** **14-03**

(52) **U.S. Cl.** **D14/496; D14/203.1**

(58) **Field of Classification Search** D14/496,
D14/401, 435, 474, 483, 217, 137, 138, 160,
D14/168, 356, 203.1-203.8, 507; 345/156,
345/169, 173-179, 905; 715/727-729, 864;
710/1, 5, 8; 713/1, 600; 455/1.1, 1.7, 73,
455/344-347, 93, 95, 3.01-3.06, 550.1, 573.1;
370/342-344; 369/1, 2, 6-12; 463/43-47;
273/148 B

See application file for complete search history.

(56) **References Cited**

U.S. PATENT DOCUMENTS

6,254,477 B1 * 7/2001 Sasaki et al. 463/1
D454,552 S * 3/2002 Nakane D14/168
D454,855 S * 3/2002 Nakane D14/168
6,591,085 B1 * 7/2003 Grady 455/42
D496,922 S * 10/2004 Kimura D14/500

D512,409 S * 12/2005 Ishizaki D14/168
D518,022 S * 3/2006 Ishizaki D14/168
D562,846 S * 2/2008 Poandl D14/496
D563,392 S * 3/2008 Corsini et al. D14/217
D571,822 S * 6/2008 Madonna et al. D14/496
D583,798 S * 12/2008 Iijima et al. D14/168
2007/0022378 A1 * 1/2007 Hamada 715/716

* cited by examiner

Primary Examiner—Prabhakar Deshmukh

(74) *Attorney, Agent, or Firm*—Akerman Senterfitt

(57) **CLAIM**

The ornamental design of a MP3 player, as shown and described.

DESCRIPTION

FIG. 1 is a front view of a MP3 player showing my new design;

FIG. 2 is a rear view thereof;

FIG. 3 is a left side view thereof;

FIG. 4 is a right side view thereof;

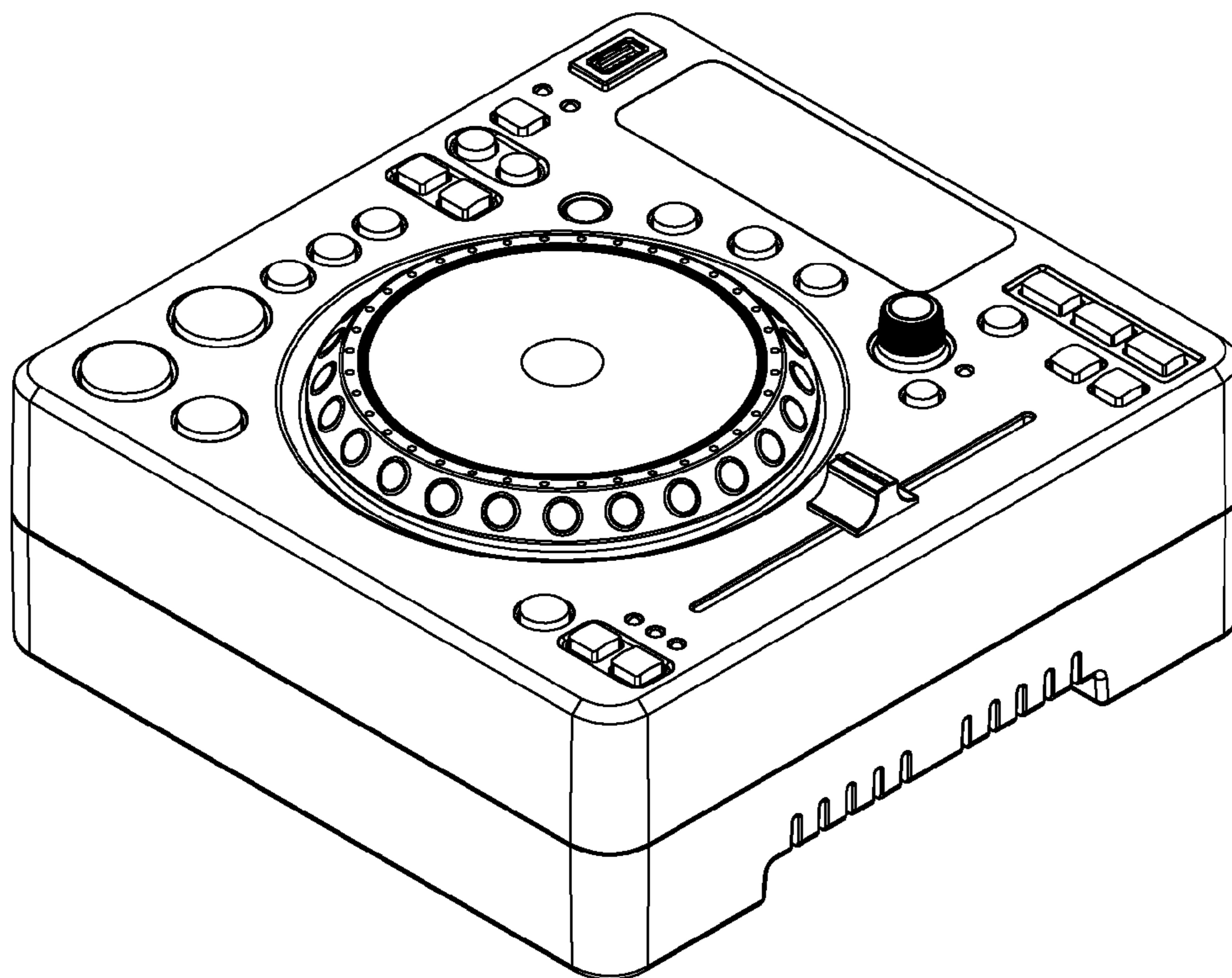
FIG. 5 is a top view thereof;

FIG. 6 is a bottom view thereof; and,

FIG. 7 is a front perspective view thereof.

The broken lines are for environmental purposes only and form no part of the claimed design.

1 Claim, 7 Drawing Sheets



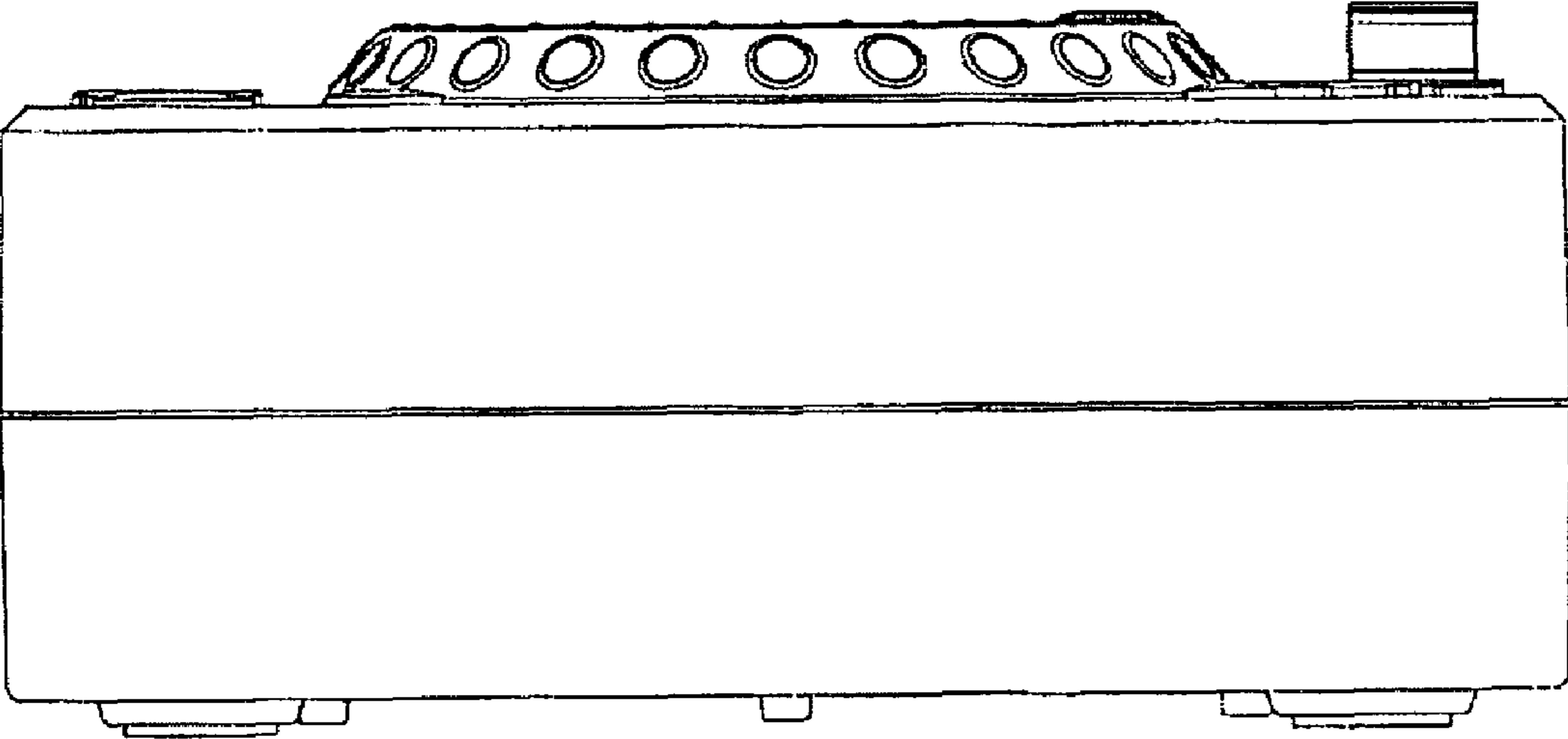


FIG. 1

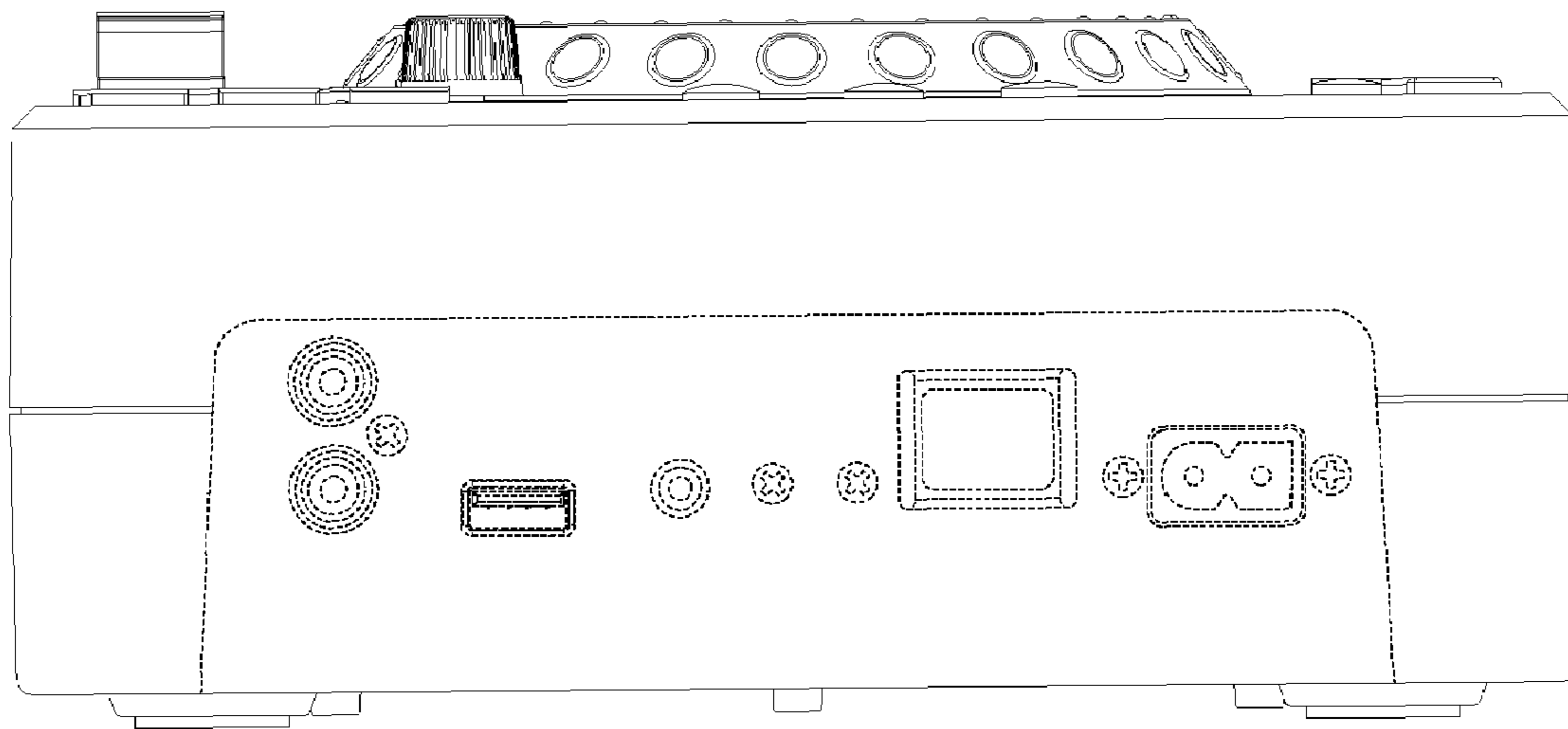


FIG. 2

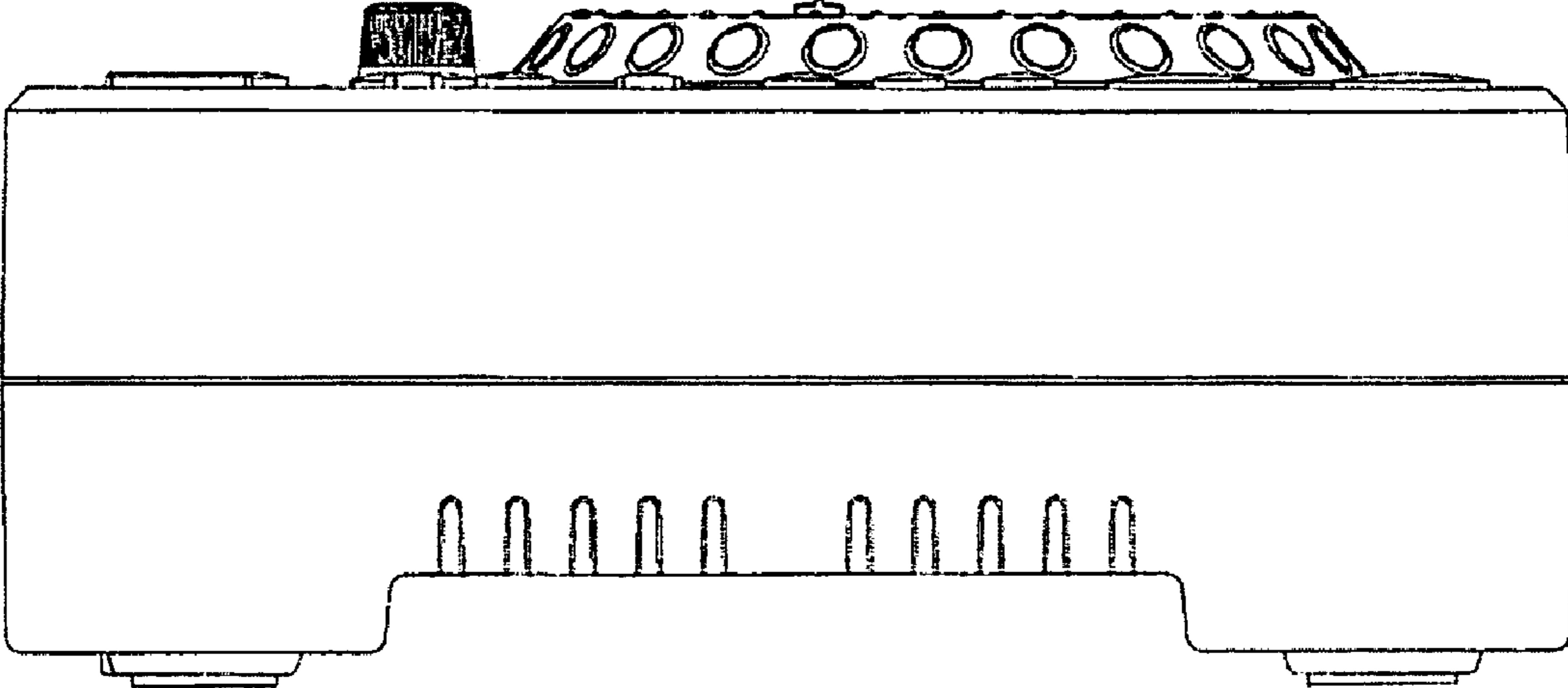


FIG 3

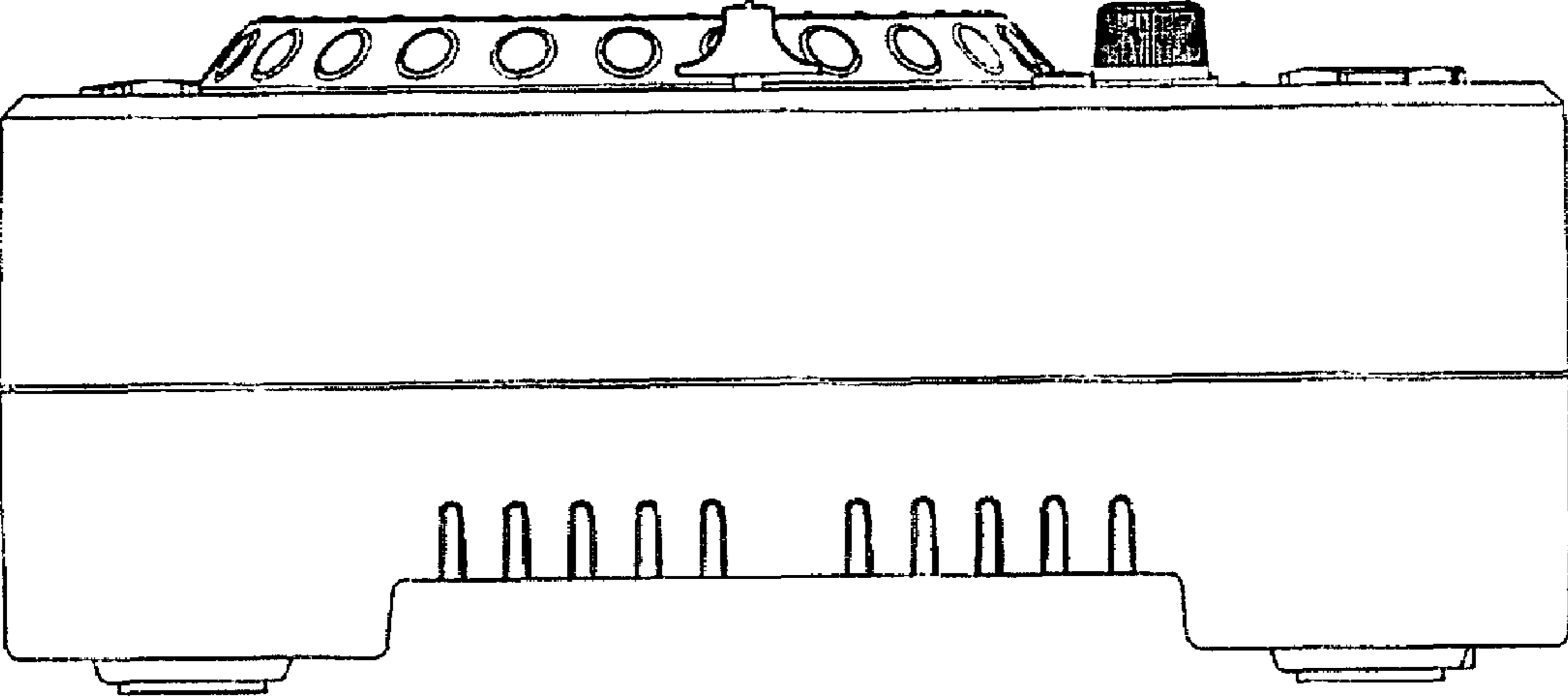


FIG. 4

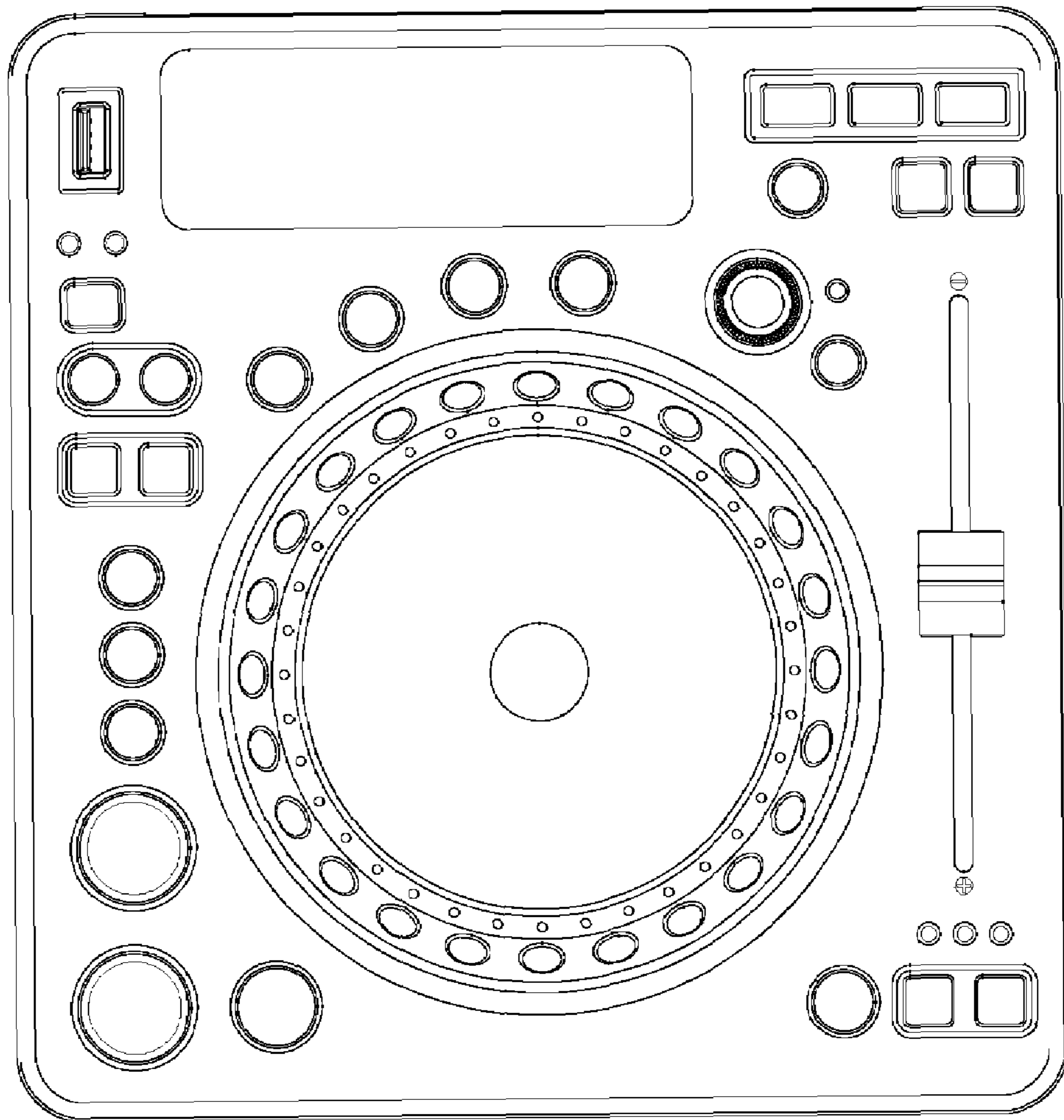


FIG. 5

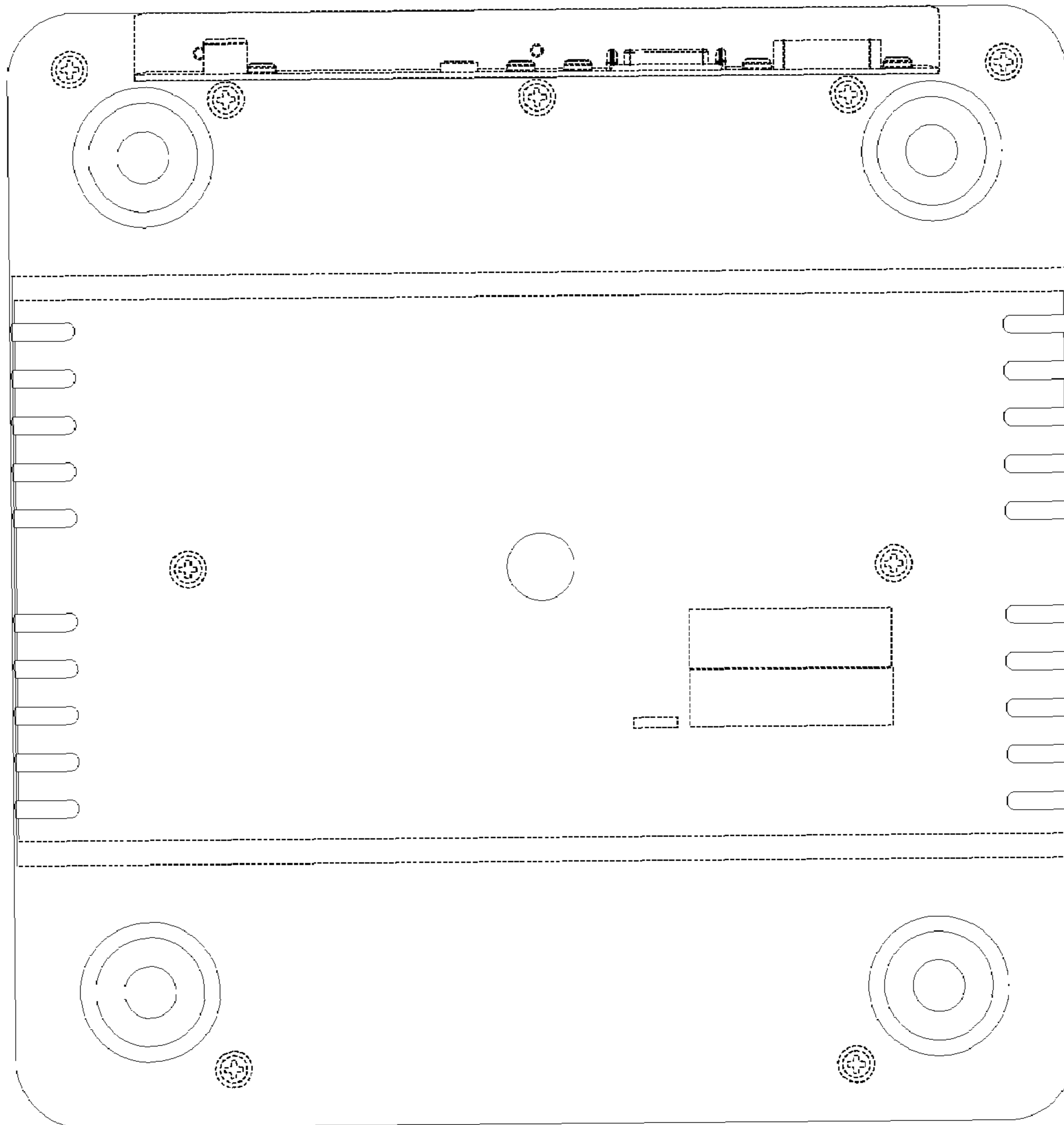


FIG. 6

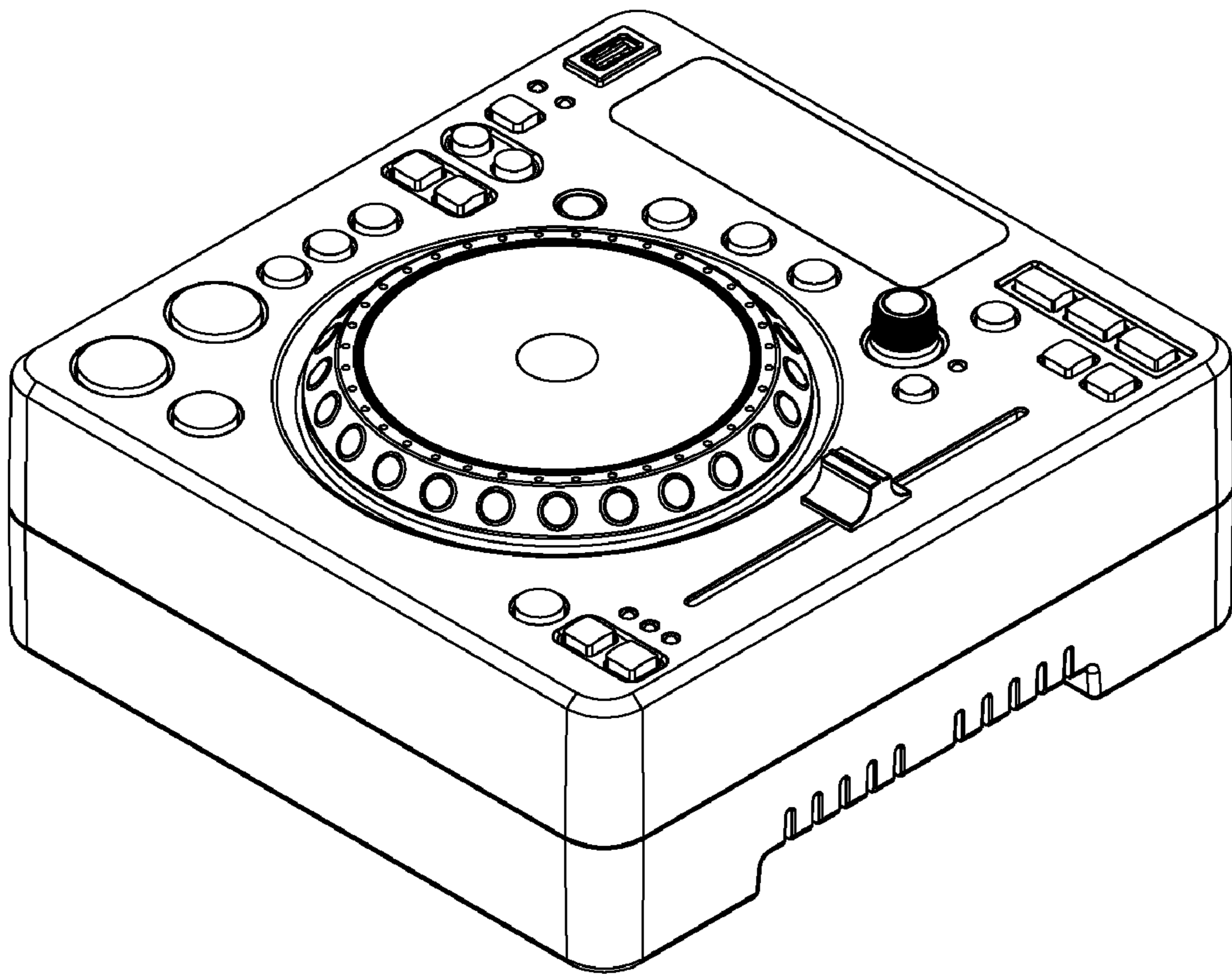


FIG. 7