



US00D615552S

(12) **United States Design Patent**  
**Baughner et al.**

(10) **Patent No.:** **US D615,552 S**

(45) **Date of Patent:** **\*\* May 11, 2010**

(54) **ICON FOR A PORTION OF A DISPLAY SCREEN**

(75) Inventors: **Ernest Samuel Baughner**, Buda, TX (US); **John Joseph Schwartz**, Bensenville, IL (US)

(73) Assignee: **Tzee, Inc.**, Lisle, IL (US)

(\*\*) Term: **14 Years**

(21) Appl. No.: **29/314,259**

(22) Filed: **Mar. 18, 2009**

(51) **LOC (9) Cl.** ..... **32-00**

(52) **U.S. Cl.** ..... **D14/493**

(58) **Field of Classification Search** ..... D14/485-495;  
D18/26, 31-33; D20/11-12, 23-25, 29-32,  
D20/36-38; 715/700-867, 973-977

See application file for complete search history.

(56) **References Cited**

**U.S. PATENT DOCUMENTS**

|               |         |                          |         |
|---------------|---------|--------------------------|---------|
| D125,456 S *  | 2/1941  | Pettingell .....         | D20/32  |
| D295,635 S *  | 5/1988  | Wells-Papanek et al. ... | D14/493 |
| D295,637 S *  | 5/1988  | Wells-Papanek et al. ... | D14/493 |
| 5,479,602 A * | 12/1995 | Baecker et al. ....      | 715/838 |
| 5,669,005 A * | 9/1997  | Curbow et al. ....       | 715/234 |
| D387,047 S *  | 12/1997 | Yamamoto et al. ....     | D14/493 |
| D390,548 S *  | 2/1998  | Maekawa et al. ....      | D14/488 |
| D393,254 S *  | 4/1998  | Wanishi et al. ....      | D14/489 |
| D393,841 S *  | 4/1998  | Wanishi et al. ....      | D14/489 |
| D393,847 S *  | 4/1998  | Wanishi et al. ....      | D14/490 |
| D395,043 S *  | 6/1998  | Wanishi et al. ....      | D14/489 |
| D422,583 S *  | 4/2000  | Herceg et al. ....       | D14/493 |
| D428,615 S *  | 7/2000  | Hwang et al. ....        | D14/495 |
| D434,421 S *  | 11/2000 | Hanley et al. ....       | D14/493 |
| D441,763 S *  | 5/2001  | Kahn et al. ....         | D14/488 |
| D445,428 S *  | 7/2001  | Pattenden .....          | D14/488 |
| D453,166 S *  | 1/2002  | Ording .....             | D14/486 |
| D482,043 S *  | 11/2003 | Peters .....             | D14/493 |
| D495,305 S *  | 8/2004  | Wanishi et al. ....      | D14/485 |
| D498,763 S *  | 11/2004 | Totten et al. ....       | D14/493 |
| D511,172 S *  | 11/2005 | Totten et al. ....       | D14/493 |

|                   |         |                       |         |
|-------------------|---------|-----------------------|---------|
| D549,729 S *      | 8/2007  | Jewitt et al. ....    | D14/492 |
| D552,123 S *      | 10/2007 | Nijjima .....         | D14/493 |
| D559,858 S *      | 1/2008  | Gusmorino et al. .... | D14/492 |
| D563,424 S *      | 3/2008  | Gusmorino et al. .... | D14/492 |
| D579,946 S *      | 11/2008 | Lee et al. ....       | D14/486 |
| D594,025 S *      | 6/2009  | Ball et al. ....      | D14/488 |
| D595,310 S *      | 6/2009  | Sands et al. ....     | D14/488 |
| D597,098 S *      | 7/2009  | Su et al. ....        | D14/485 |
| 7,568,169 B2 *    | 7/2009  | Lee .....             | 715/812 |
| D601,170 S *      | 9/2009  | Pell et al. ....      | D14/493 |
| 7,607,102 B2 *    | 10/2009 | Ording et al. ....    | 715/769 |
| 2005/0154614 A1 * | 7/2005  | Swanson et al. ....   | 705/3   |
| 2009/0288006 A1 * | 11/2009 | Audet et al. ....     | 715/716 |
| 2009/0300529 A1 * | 12/2009 | Endoh et al. ....     | 715/764 |

**OTHER PUBLICATIONS**

Brilliant General Catalog, document\_unlock [online], [retrieved on Apr. 4, 2007]. Retrieved from the Internet <URL: http://www.icons shock.com>.\*

1000 Icons, Symbols + Pictograms: Visual Communication for Every Language, Rockport Publishers, Gloucester, MA © 2006, p. 173.\*

(Continued)

*Primary Examiner*—Cathron C Brooks

*Assistant Examiner*—Karen E Kearney

(74) *Attorney, Agent, or Firm*—Carmen Patti Law Group, LLC

(57) **CLAIM**

The ornamental design for an icon for a portion of a display screen, as shown and described.

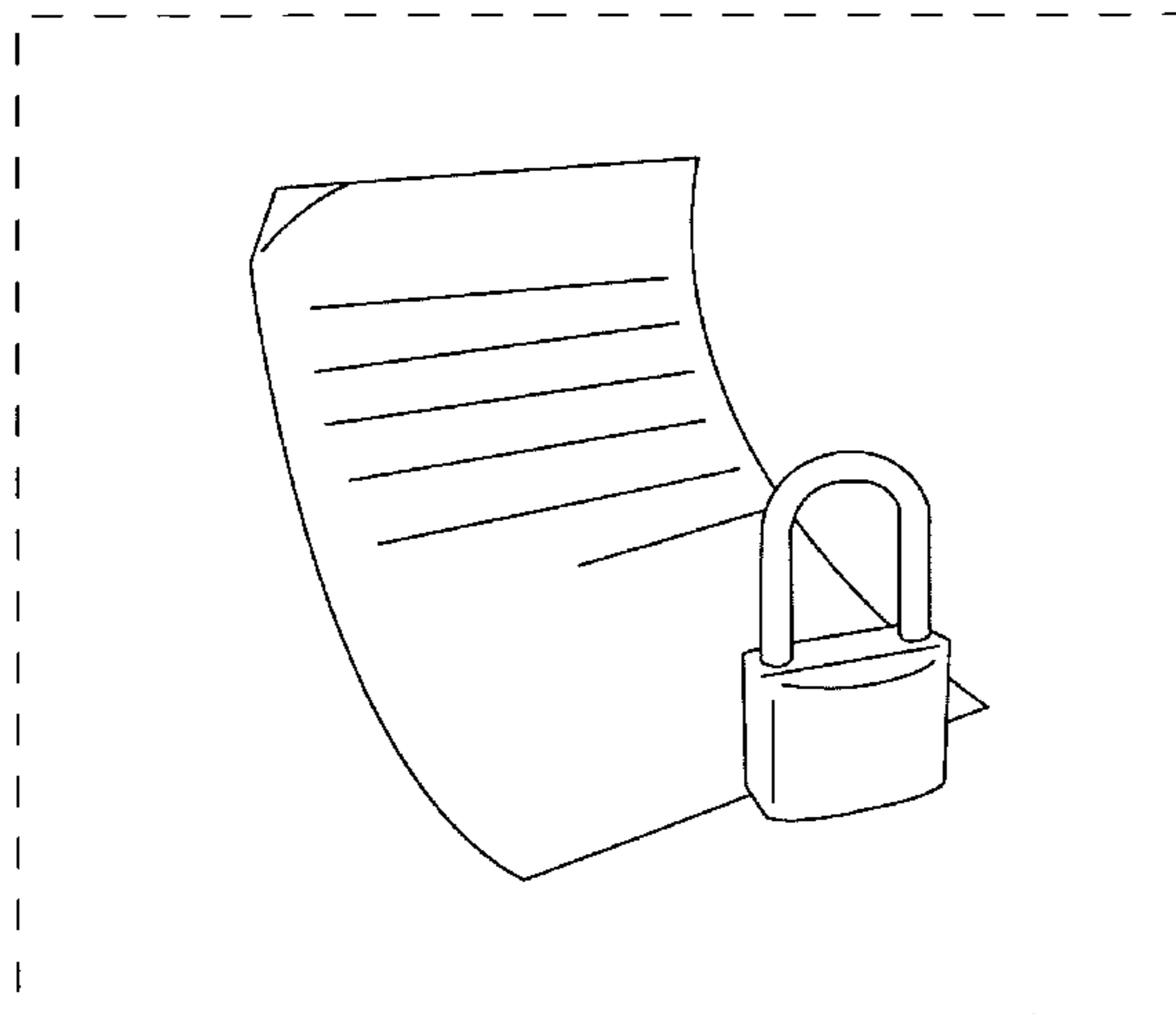
**DESCRIPTION**

The FIGURE is a front view of an icon for a portion of a display screen showing our new design.

The broken line showing of a portion of a display screen is for the purpose of illustrating environmental structure and forms no part of the claimed design.

The icon shows a lock associated with an open page having representative lines across it indicative of information contained on the page.

**1 Claim, 1 Drawing Sheet**



OTHER PUBLICATIONS

Iconfactory : Freeware : Float Sneak Peek, [online] Nov. 7, 2006  
[retrieved on Apr. 4, 2007]. Retrieved from the Internet <URL: [http://  
iconfactory.com/freeware/preview/flsp](http://iconfactory.com/freeware/preview/flsp)>.\*

Iconfactory : Freeware : Space: 1999, [online] Sep. 13, 2005  
[retrieved on Apr. 4, 2007]. Retrieved from the Internet <URL: [http://  
iconfactory.com/freeware/preview/1999](http://iconfactory.com/freeware/preview/1999)>.\*

\* cited by examiner

**Figure**

