



US00D615546S

(12) **United States Design Patent**  
**Lundy et al.**

(10) **Patent No.:** **US D615,546 S**  
(45) **Date of Patent:** **\*\* May 11, 2010**

(54) **MOBILE DEVICE USER INTERFACE**

(75) Inventors: **Michael T. Lundy**, Olathe, KS (US);  
**Mathew Jay Van Orden**, Leawood, KS  
(US); **Brandon Christopher Annan**,  
Westwood Hills, KS (US)

(73) Assignee: **Sprint Communications Company**  
**L.P.**, Overland Park, KS (US)

(\*\*) Term: **14 Years**

(21) Appl. No.: **29/305,876**

(22) Filed: **Mar. 28, 2008**

(51) **LOC (9) Cl.** ..... **32-00**

(52) **U.S. Cl.** ..... **D14/485**

(58) **Field of Classification Search** ..... D14/485-495;  
715/700, 706, 716, 719, 721, 727, 728, 730,  
715/739, 768, 771, 773, 779, 780, 782, 793,  
715/810, 812, 819, 821, 825, 828, 829, 835,  
715/836, 837, 838, 839, 840, 841, 842, 843,  
715/845, 846, 848, 861, 864, 867, 962, 976,  
715/977; 345/902, 955, 960, 646, 473  
See application file for complete search history.

(56) **References Cited**

**U.S. PATENT DOCUMENTS**

5,801,699 A \* 9/1998 Hocker et al. .... 715/837

(Continued)

*Primary Examiner*—Jennifer Rivard

*Assistant Examiner*—Angela J Lee

(57) **CLAIM**

The ornamental design for a mobile device user interface, as shown and described.

**DESCRIPTION**

FIG. 1 is a front view of a first embodiment of a mobile device user interface showing a first image;

FIG. 2 is a front view thereof showing the second image;

FIG. 3 is a front view thereof showing the third image;

FIG. 4 is a front view thereof showing the fourth image; and

FIG. 5 is a front view thereof showing the fifth image.

FIG. 6 is a front view of a second embodiment of a mobile device user interface showing a first image;

FIG. 7 is a front view thereof showing the second image;

FIG. 8 is a front view thereof showing the third image;

FIG. 9 is a front view thereof showing the fourth image; and

FIG. 10 is a front view thereof showing the fifth image.

FIG. 11 is a front view of a third embodiment of a mobile device user interface showing a first image;

FIG. 12 is a front view thereof showing the second image;

FIG. 13 is a front view thereof showing the third image;

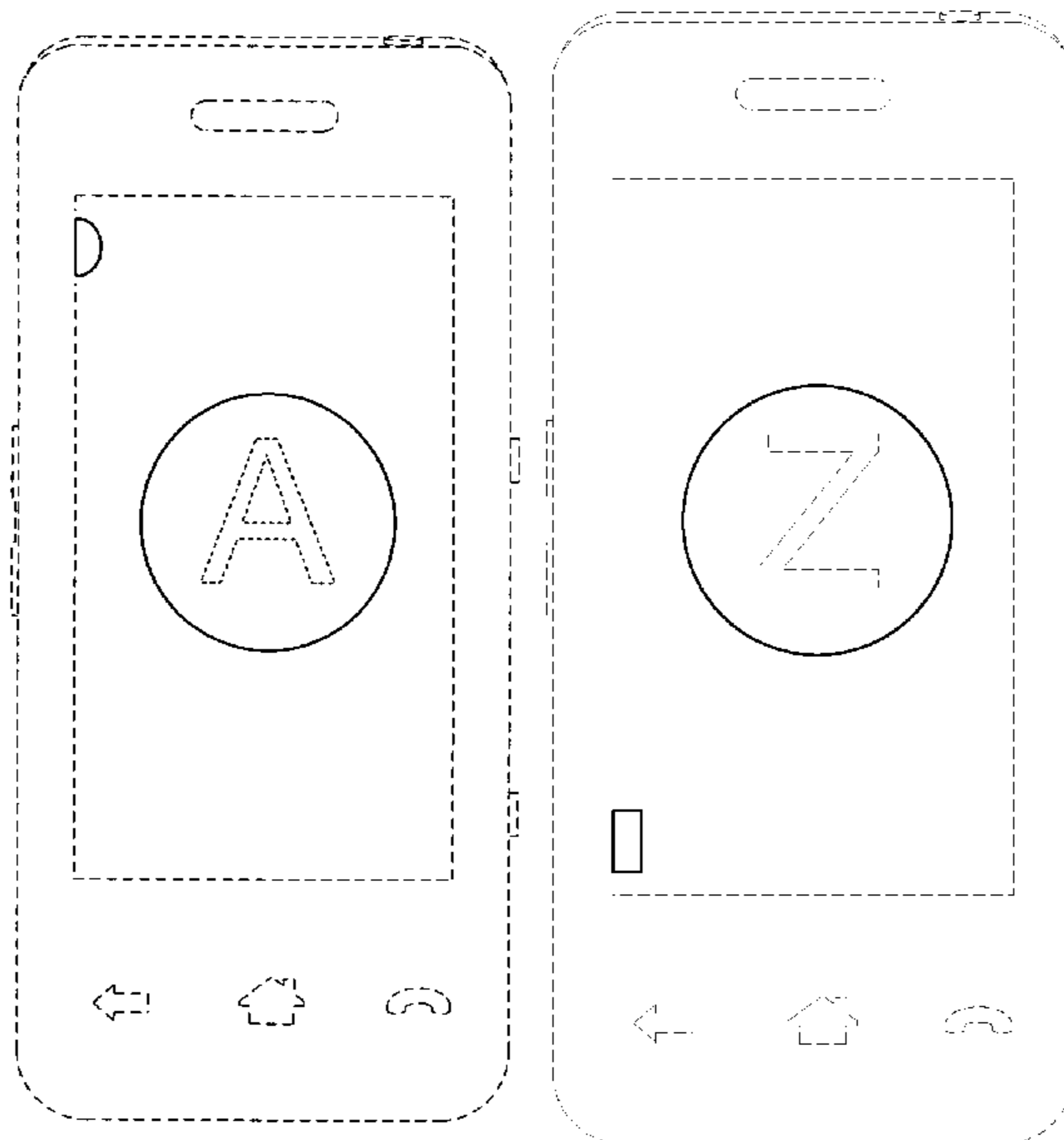
FIG. 14 is a front view thereof showing the fourth image; and,

FIG. 15 is a front view thereof showing the fifth image.

The broken lines shown in the drawings of a display screen and a mobile device are for illustrative purposes only and form no part of the claimed design.

The appearance of the transitional image sequentially transitions between the images shown within the embodiments shown in FIGS. 1-5, FIGS. 6-10 and FIGS. 11-15. No ornamental aspects are associated with the process or period in which on image transitions to another image.

**1 Claim, 6 Drawing Sheets**



# US D615,546 S

Page 2

---

## U.S. PATENT DOCUMENTS

5,912,665	A *	6/1999	Neumann et al. ....	715/866	2005/0034083	A1 *	2/2005	Jaeger .....	715/863
6,262,727	B1 *	7/2001	Lentz et al. ....	715/866	2005/0138575	A1 *	6/2005	Hashimoto et al. ....	715/815
D456,817	S *	5/2002	Graham .....	D14/487	2006/0184898	A1 *	8/2006	Kern .....	715/810
6,980,200	B2 *	12/2005	Goren .....	345/169	2007/0198947	A1 *	8/2007	Cox et al. ....	715/786
7,487,467	B1 *	2/2009	Kawahara et al. ....	715/810	2008/0155470	A1 *	6/2008	Khedouri et al. ....	715/810
7,552,387	B2 *	6/2009	Shen et al. ....	715/716	2008/0168381	A1 *	7/2008	Nelson et al. ....	715/780
					2009/0249252	A1 *	10/2009	Lundy et al. ....	715/817

\* cited by examiner

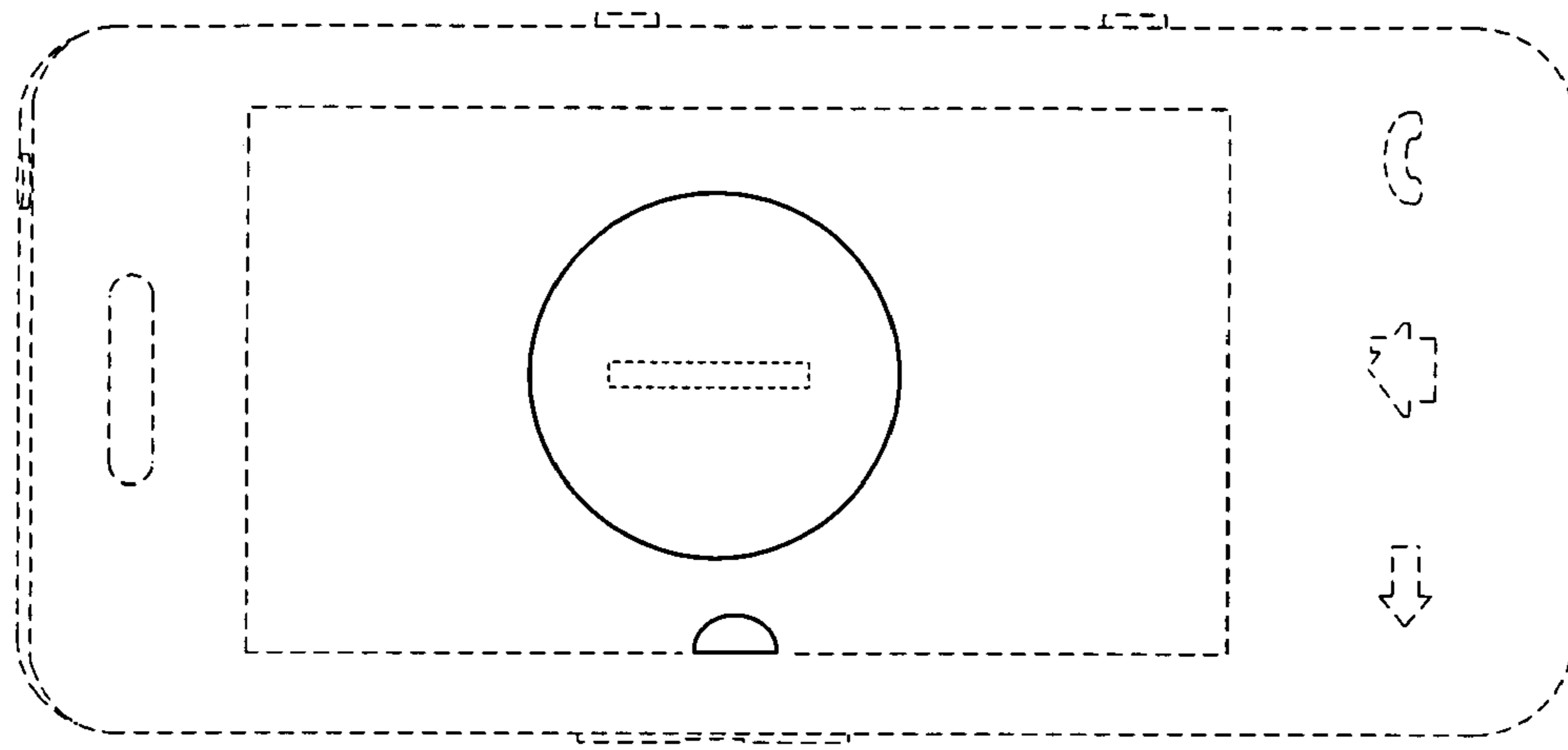


FIG. 1.

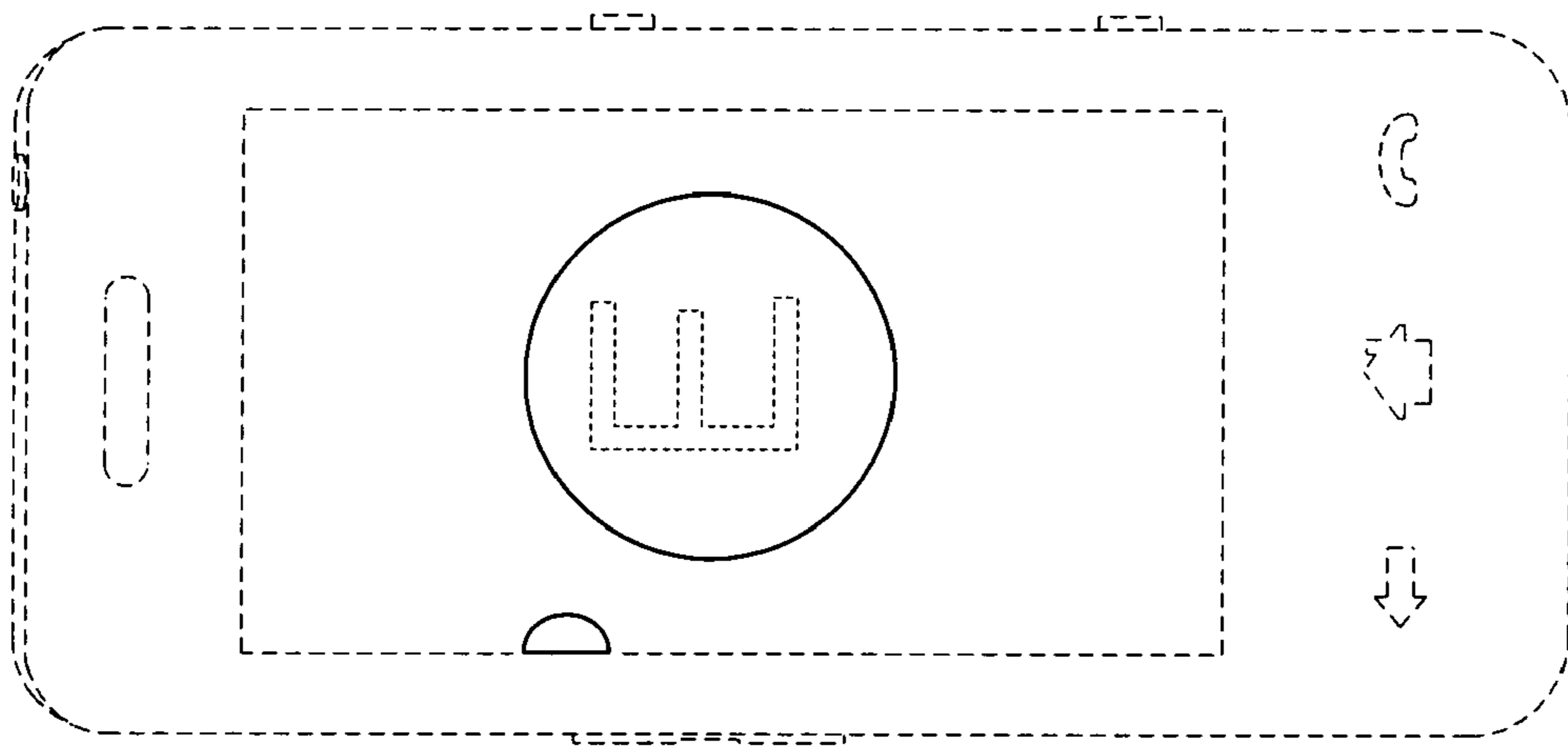


FIG. 2.

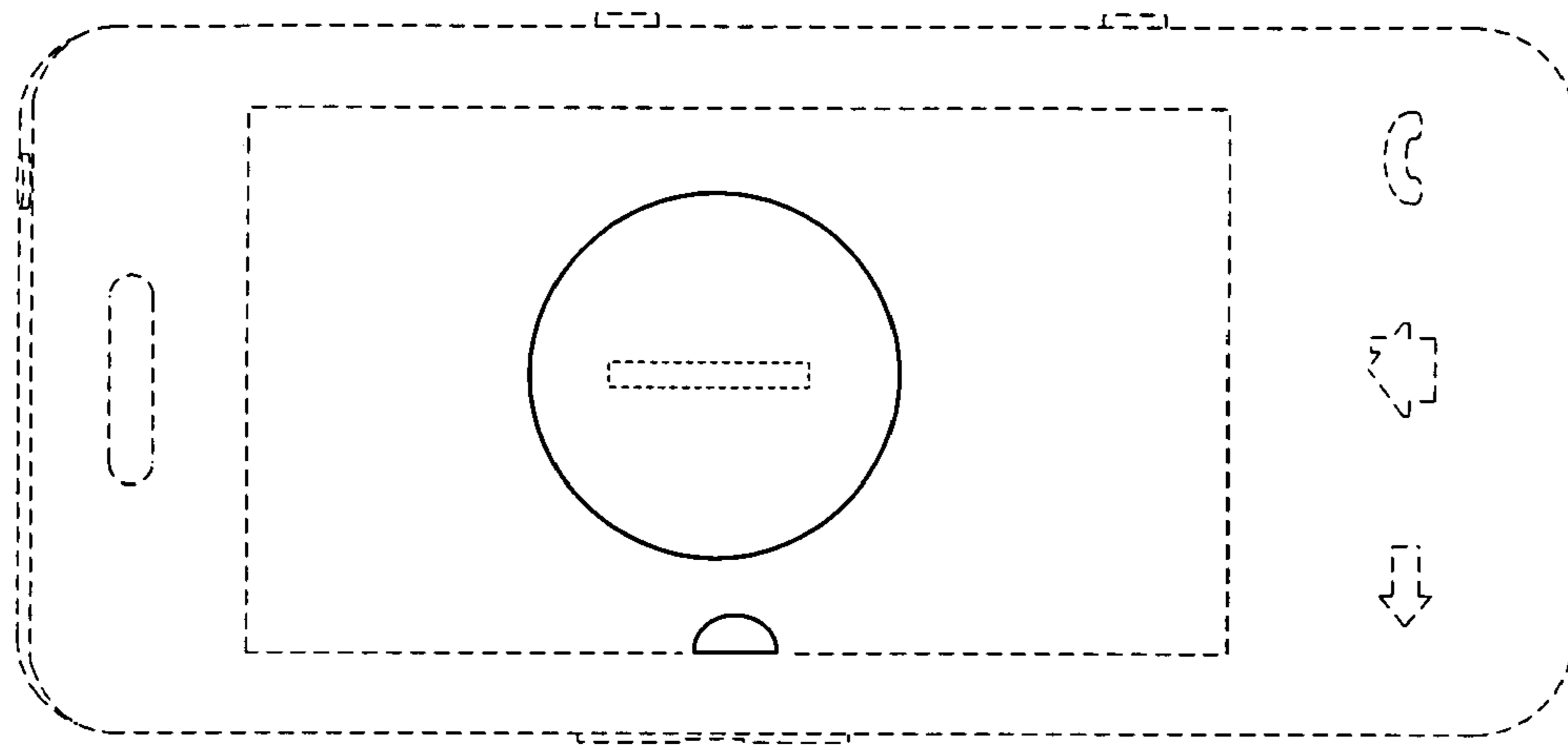


FIG. 3.

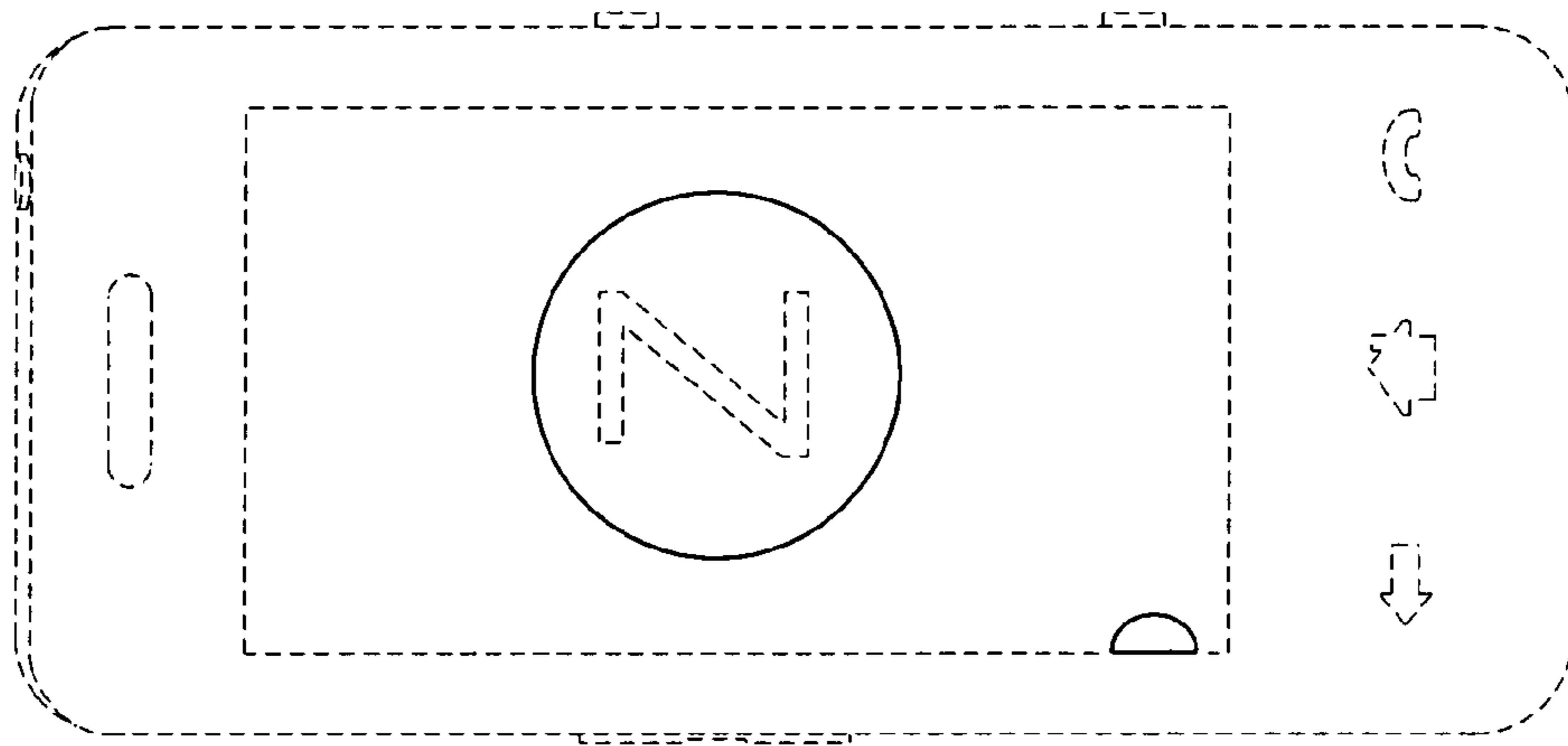


FIG. 4.

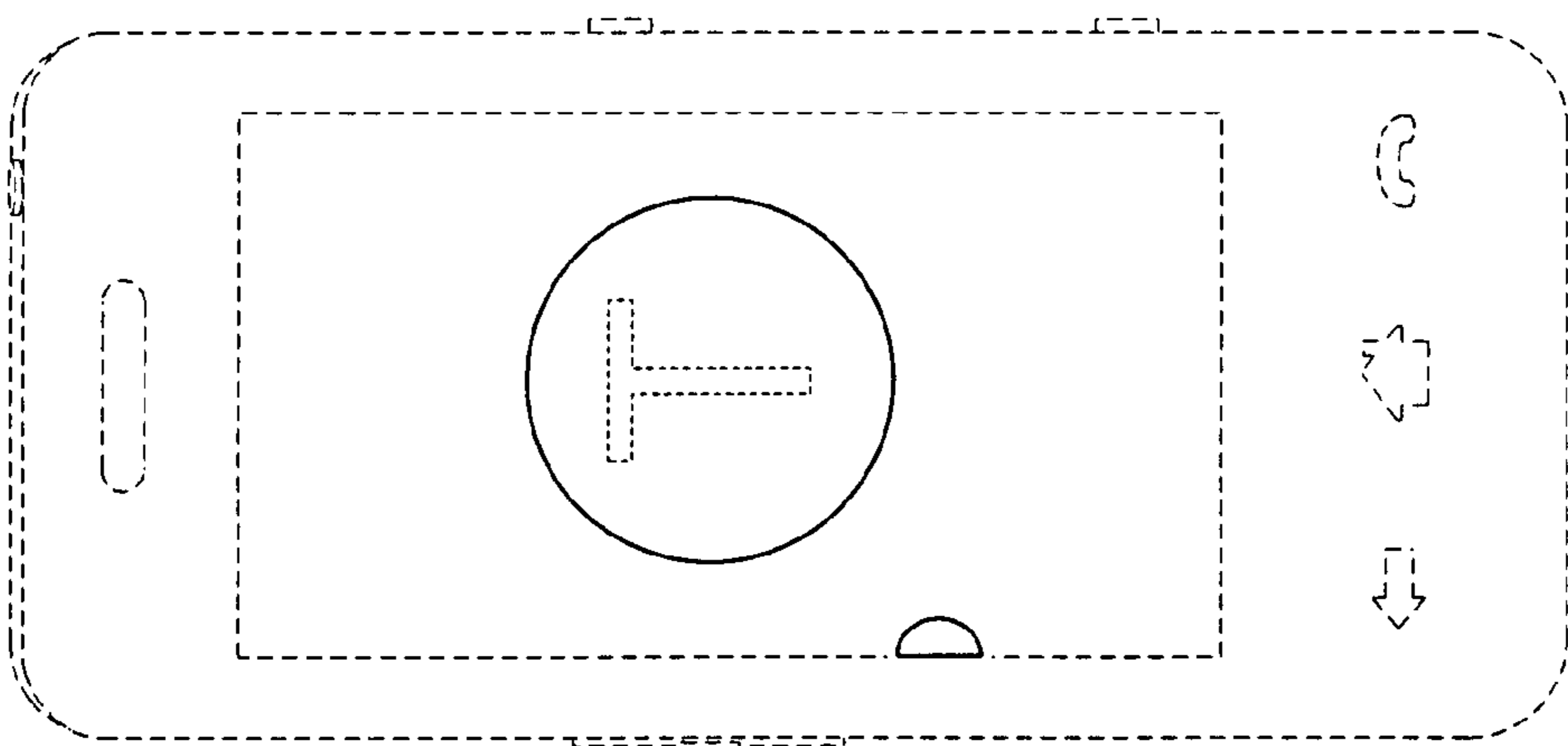


FIG. 5.

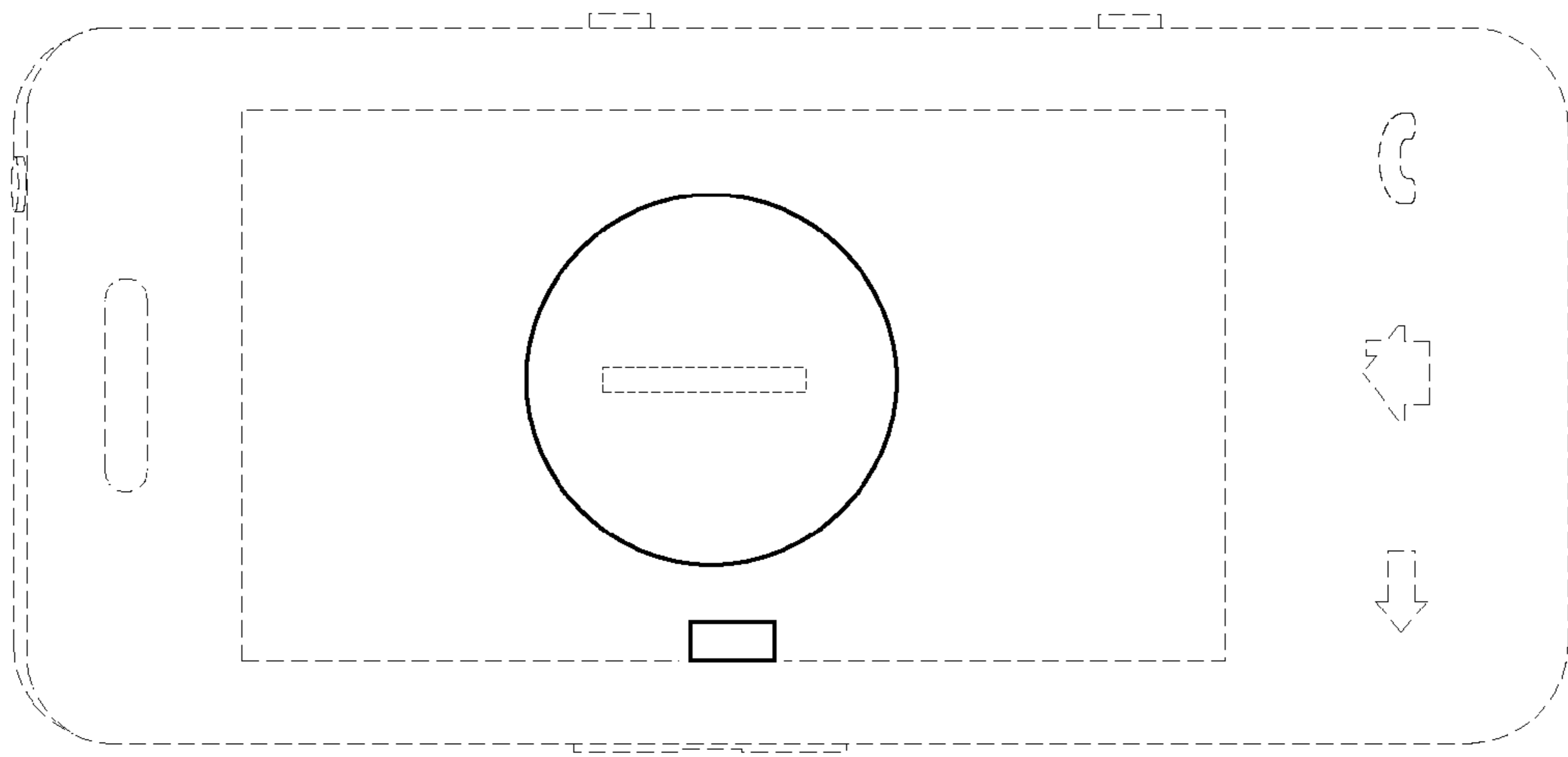


FIG. 6.

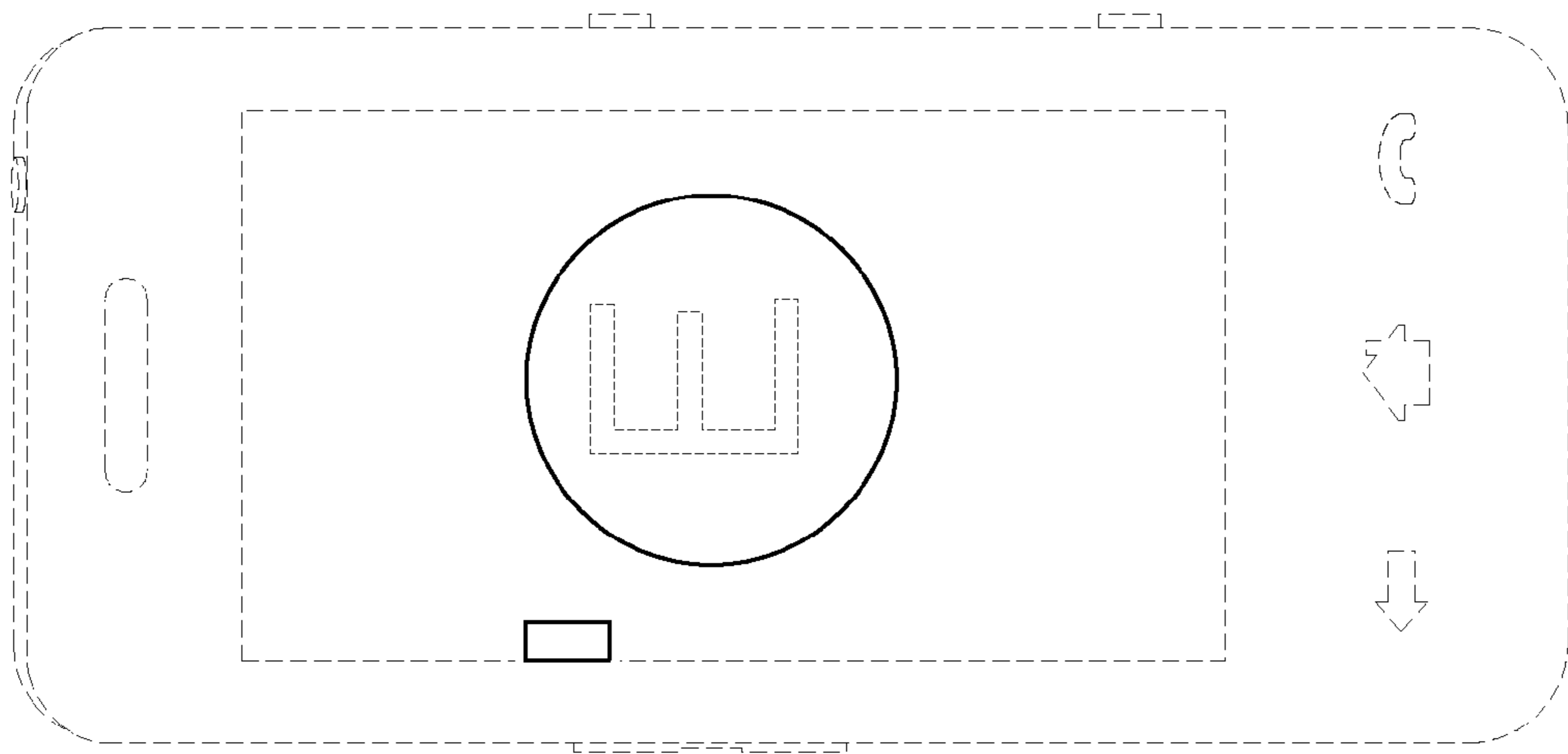


FIG. 7.

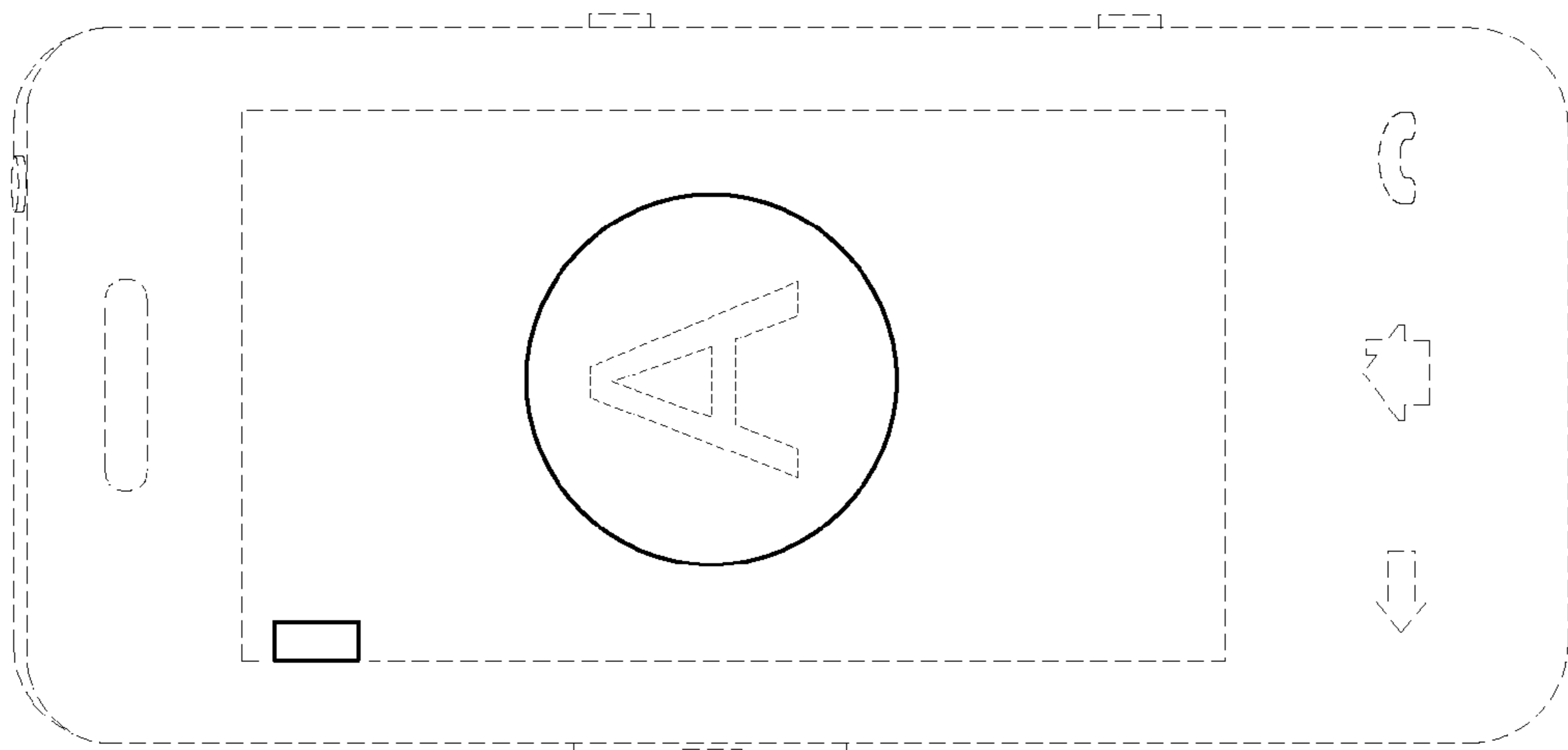


FIG. 8.

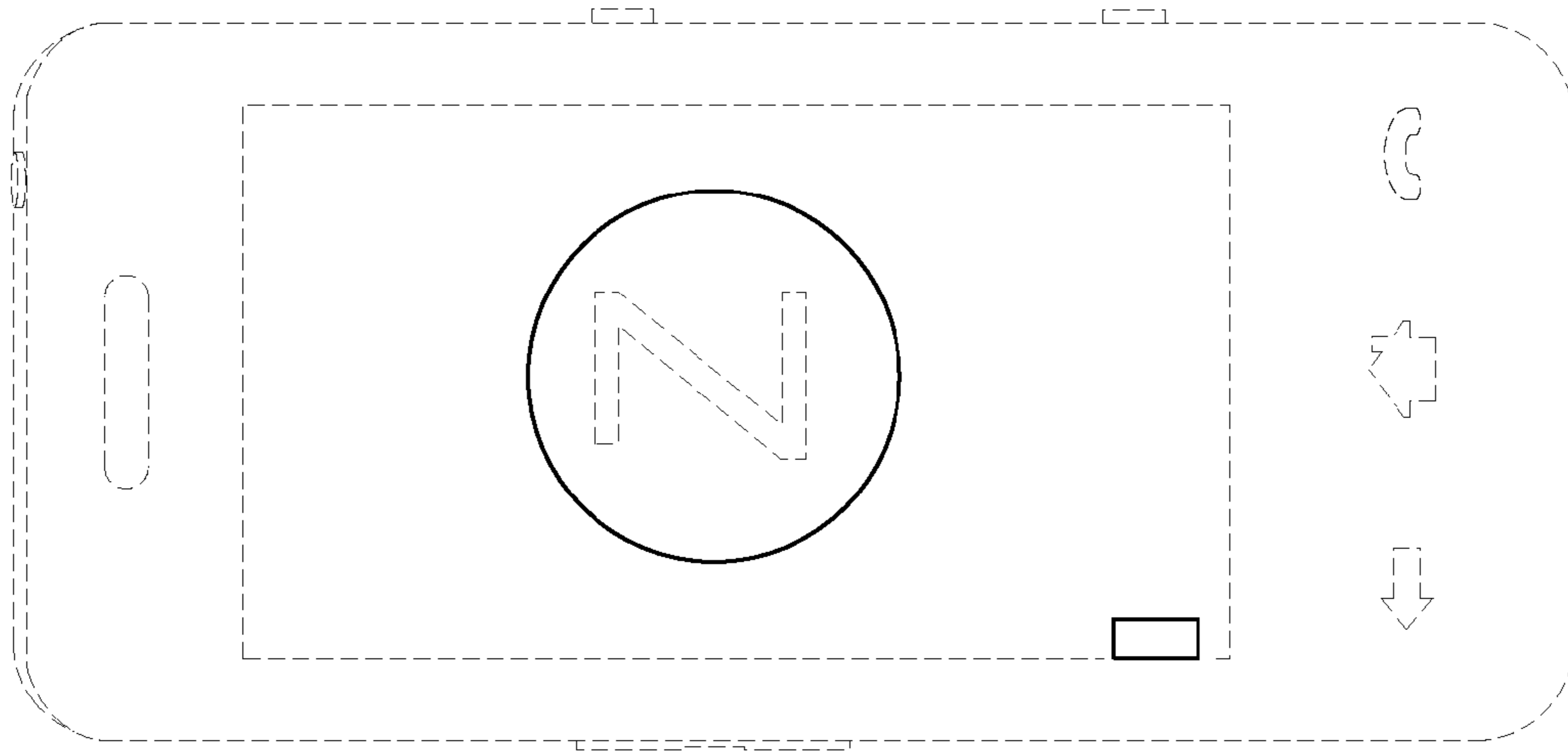


FIG. 9.

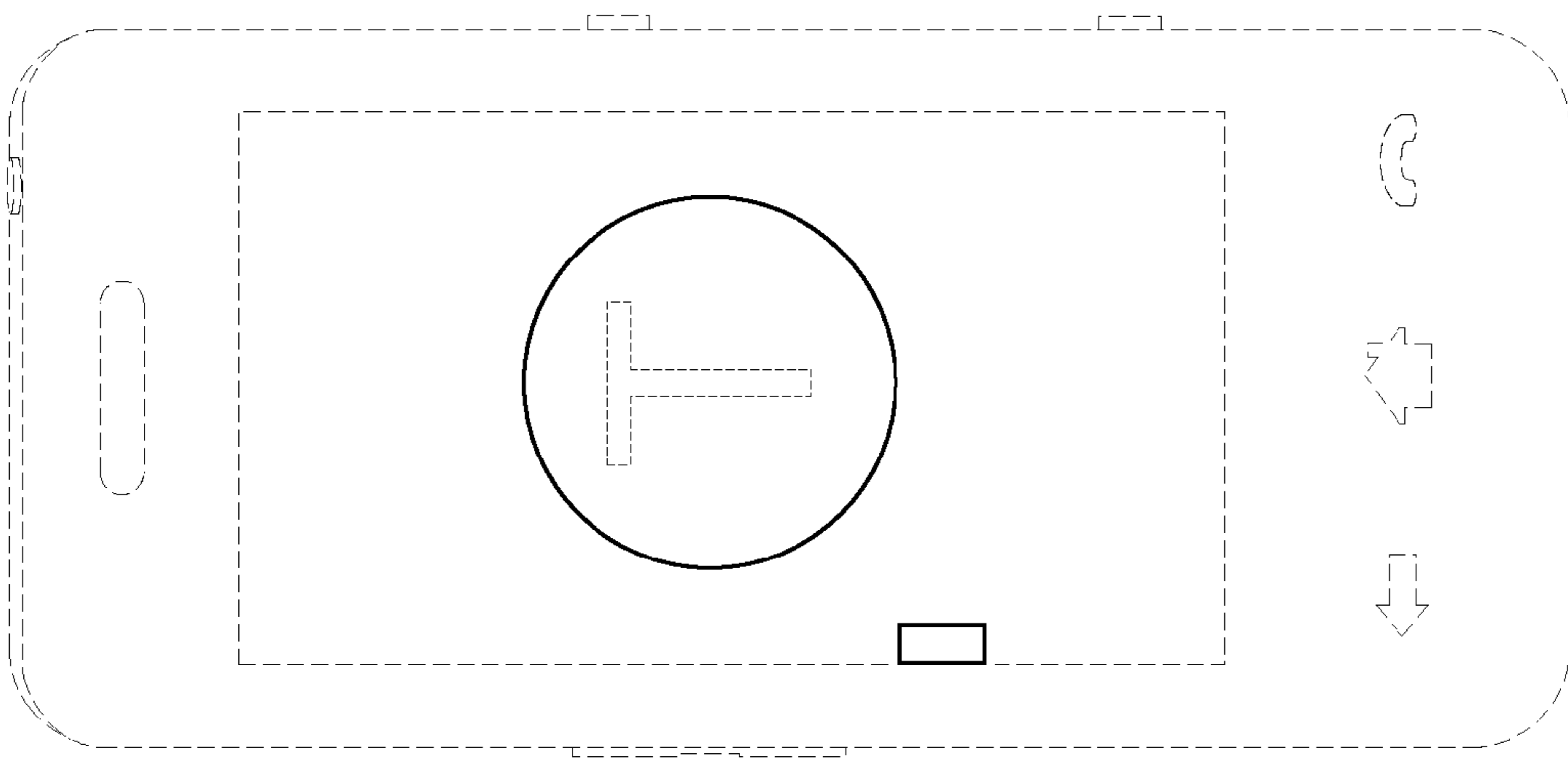


FIG. 10.

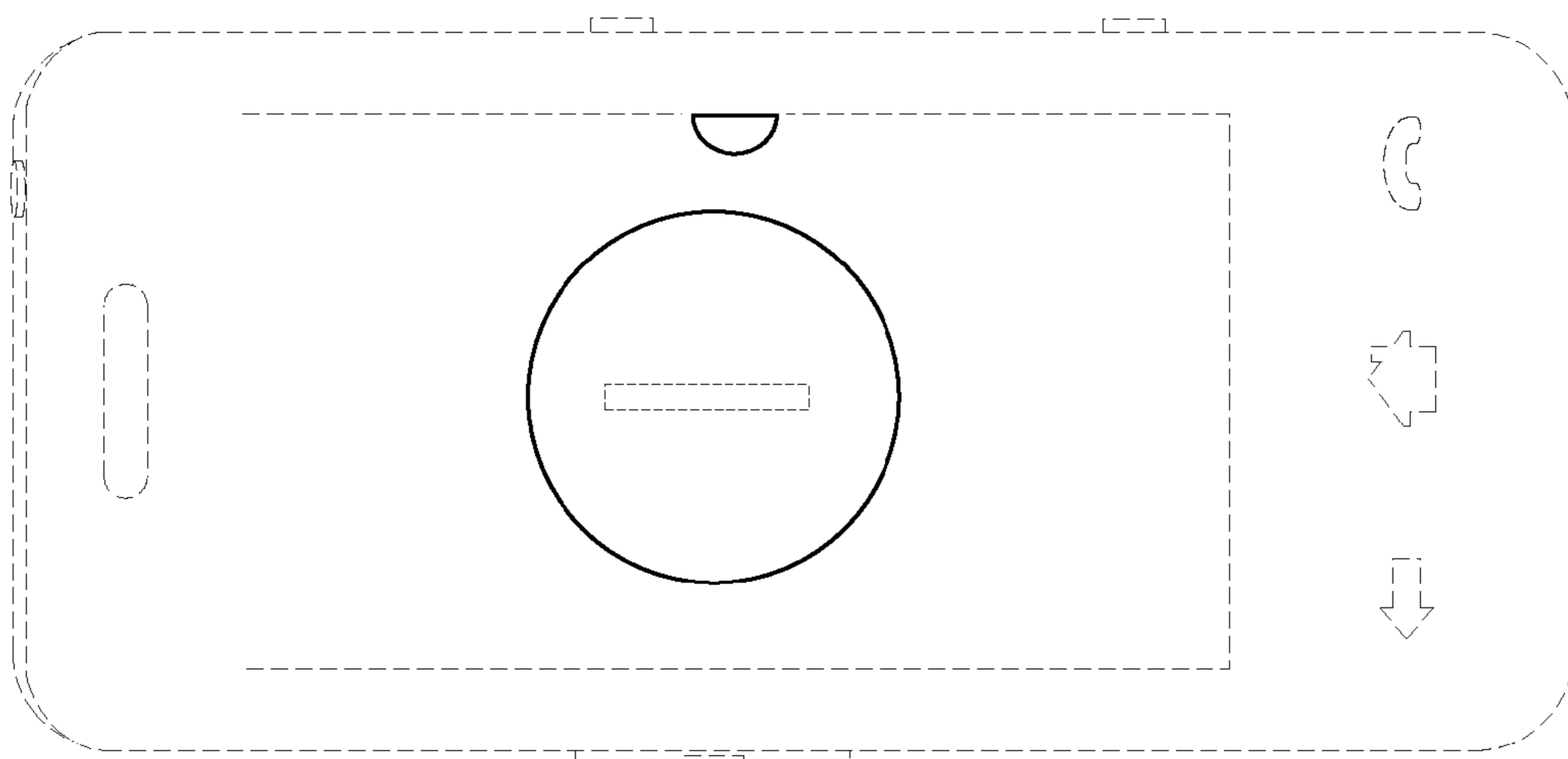


FIG. 11.

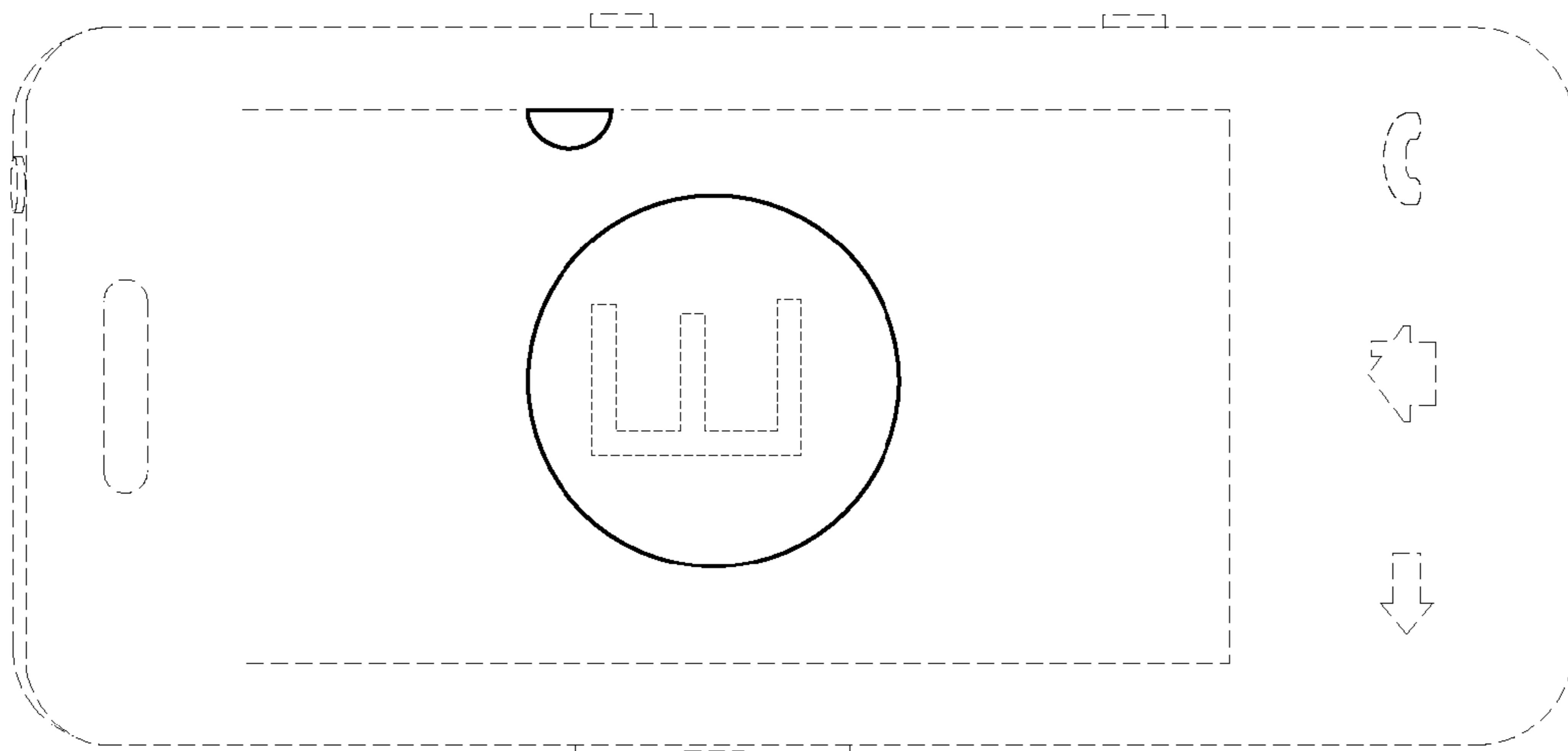


FIG. 12.

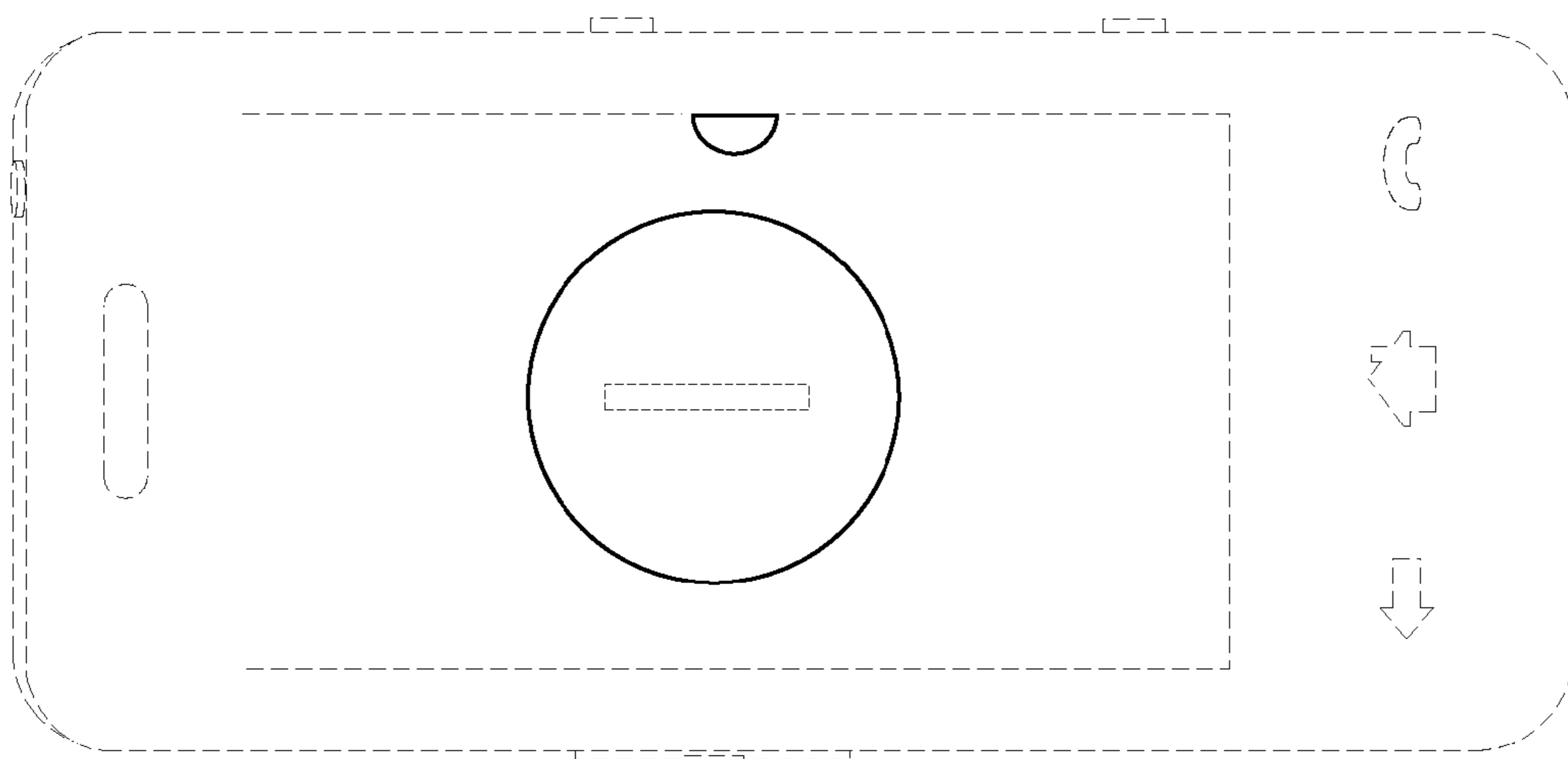
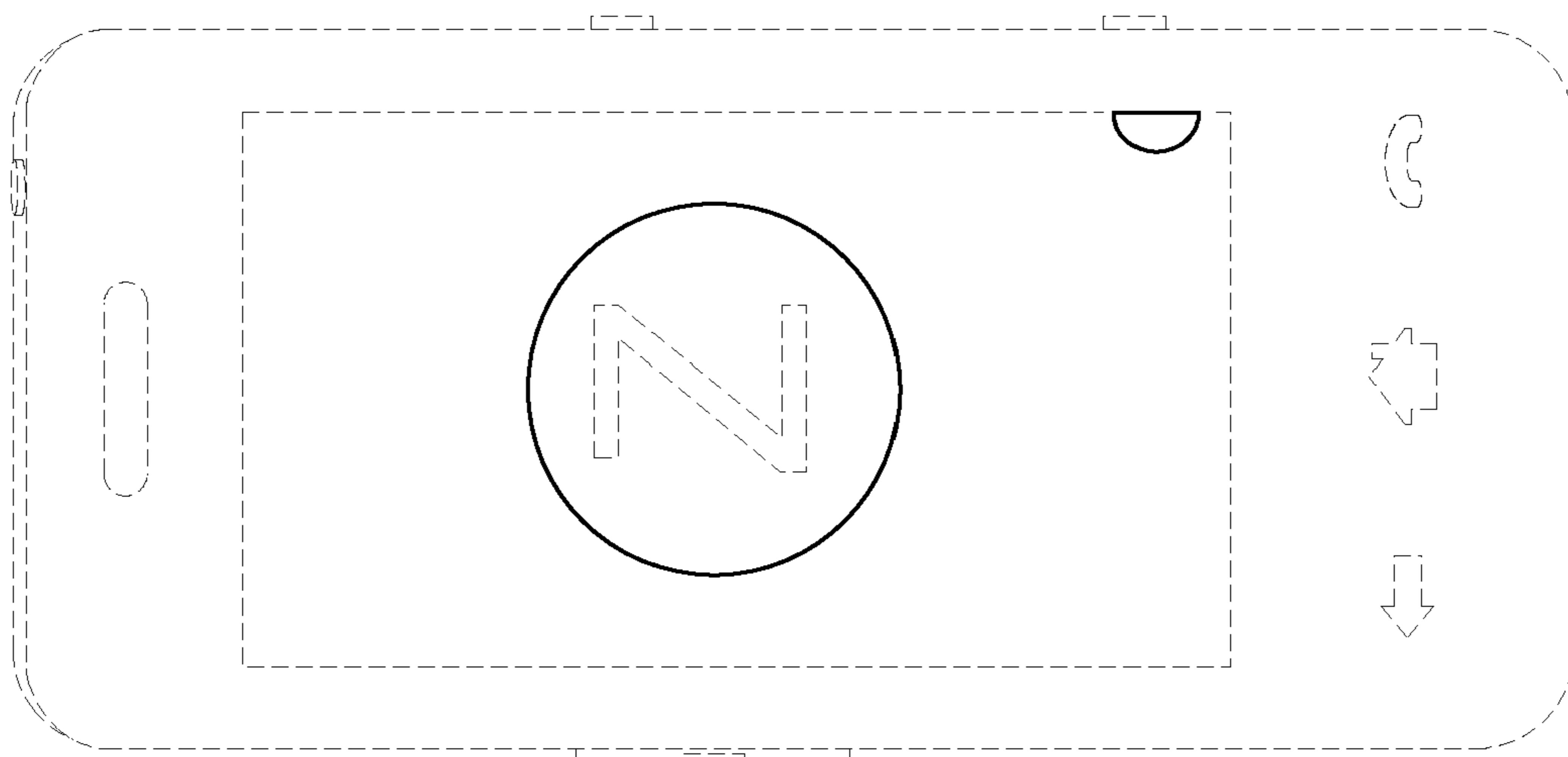
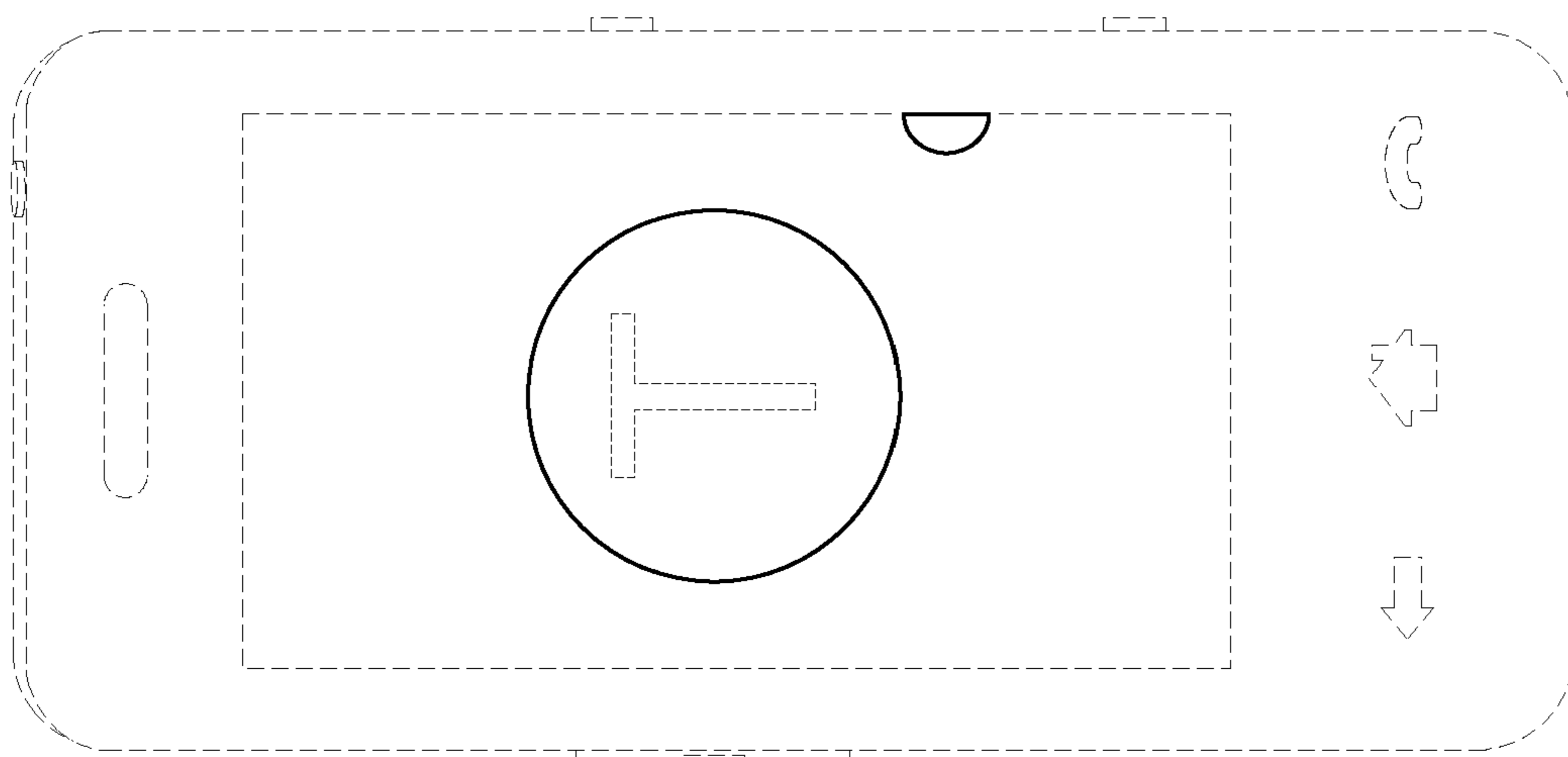


FIG. 13.



**FIG. 14.**



**FIG. 15.**