



US00D615545S

(12) **United States Design Patent**
Inoue et al.

(10) **Patent No.:** **US D615,545 S**
(45) **Date of Patent:** **** May 11, 2010**

(54) **COMPUTER MOUSE WITH SCANNER**

(75) Inventors: **Susumu Inoue**, Matsumoto (JP); **Koichi Kikuchi**, Singapore (SG); **Shinsuke Kogi**, Singapore (SG)

(73) Assignee: **Seiko Epson Corporation** (JP)

(**) Term: **14 Years**

(21) Appl. No.: **29/315,452**

(22) Filed: **Jun. 26, 2009**

(30) **Foreign Application Priority Data**

Jan. 23, 2009 (JP) 2009-001241

(51) **LOC (9) Cl.** **14-02**

(52) **U.S. Cl.** **D14/407**

(58) **Field of Classification Search** D14/402-411,
D14/356, 388, 389, 383-385, 417, 426; 345/156-167;
463/36-38; 358/471, 473

See application file for complete search history.

(56) **References Cited**

U.S. PATENT DOCUMENTS

D339,372 S *	9/1993	Kando	D18/50
D345,353 S *	3/1994	Dietrich	D14/462
D352,939 S *	11/1994	Karlin	D14/426
D365,334 S *	12/1995	Peart	D14/422
D385,263 S *	10/1997	Taylor	D14/407
D415,128 S *	10/1999	Kitera	D14/422
D483,764 S *	12/2003	Masamitsu et al.	D14/407
D484,882 S *	1/2004	Wu	D14/407
D494,175 S *	8/2004	Kawasaki	D14/384
D579,938 S *	11/2008	Romanoff et al.	D14/422

* cited by examiner

Primary Examiner—Cathron C Brooks

Assistant Examiner—Austin Murphy

(74) *Attorney, Agent, or Firm*—Harness, Dickey & Pierce P.L.C.

(57) **CLAIM**

The ornamental design for a computer mouse with scanner, as shown and described.

DESCRIPTION

FIG. 1 is a top perspective view of a computer mouse with scanner embodying our new design;

FIG. 2 is a bottom perspective view thereof. The larger middle rectangle illustrates a transparent member having an inner surface that is coated with a material to form a non-transparent frame between the larger middle rectangle and the smaller middle rectangle;

FIG. 3 is a front view thereof;

FIG. 4 is a rear view thereof;

FIG. 5 is a left side view thereof;

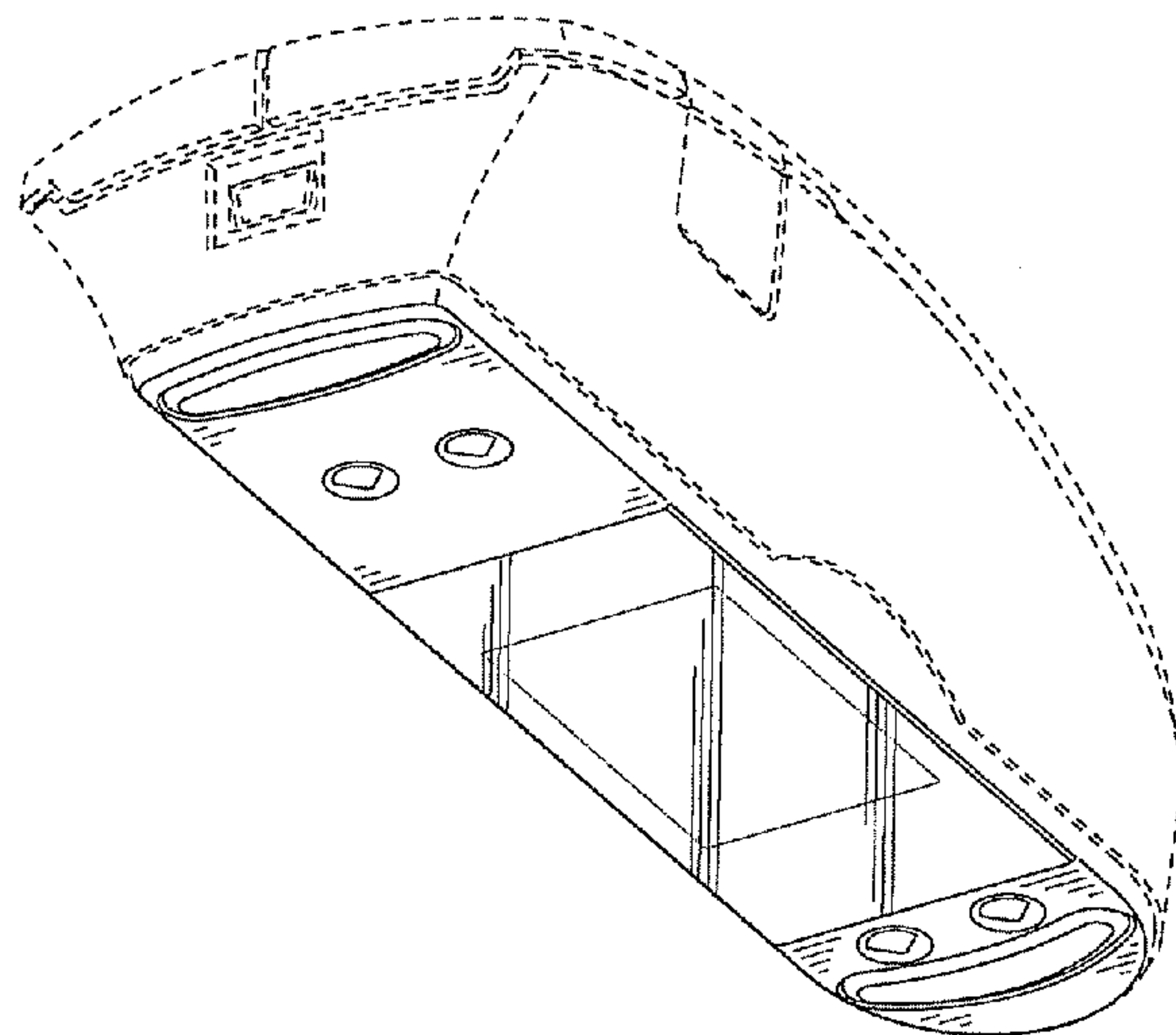
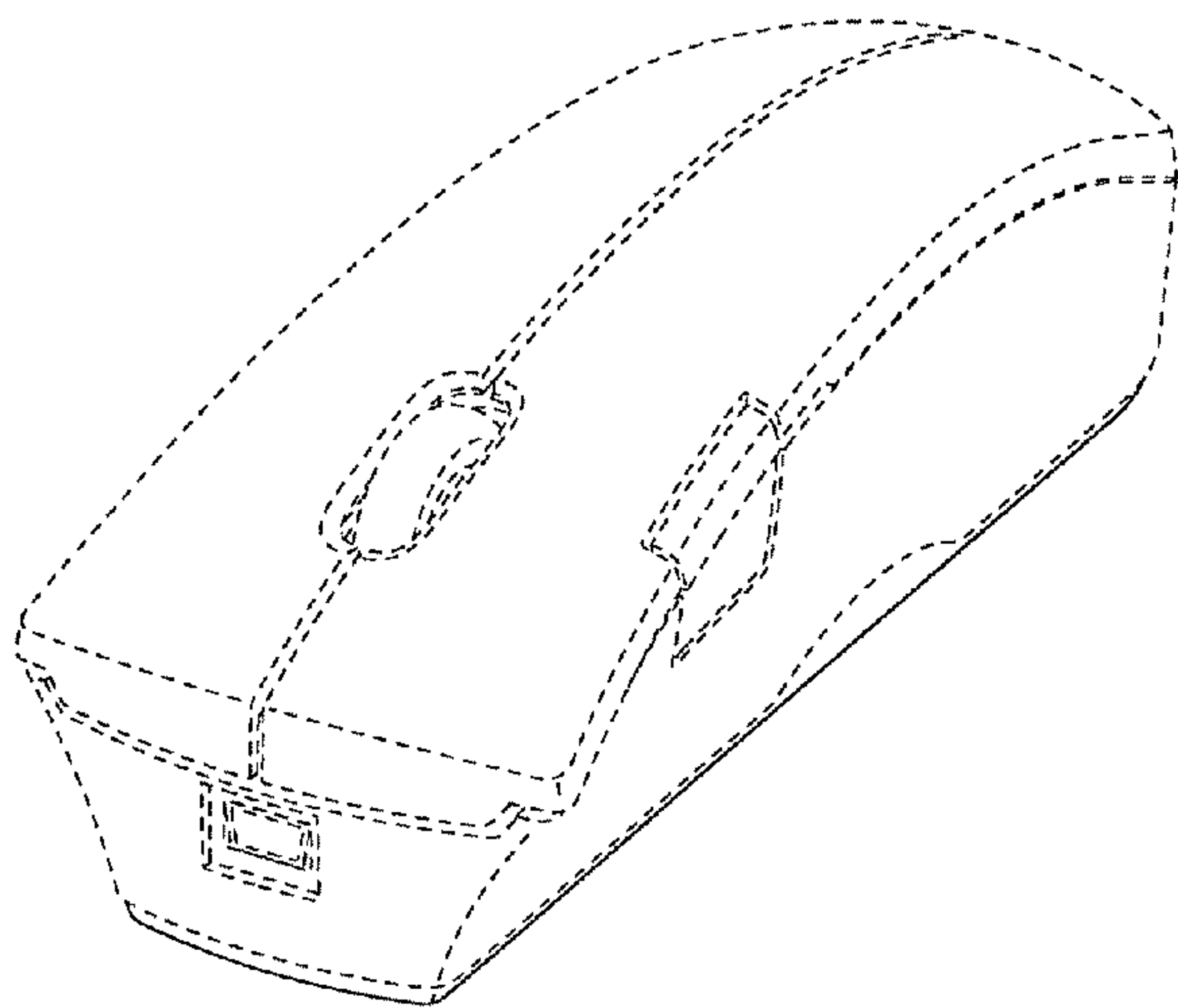
FIG. 6 is a right side view thereof;

FIG. 7 is a top view thereof; and,

FIG. 8 is a bottom view thereof. The larger middle rectangle illustrates a transparent member having an inner surface that is coated with a material to form a non-transparent frame between the larger middle rectangle and the smaller middle rectangle.

The broken lines illustrate environmental structure not forming part of the claimed design.

1 Claim, 3 Drawing Sheets



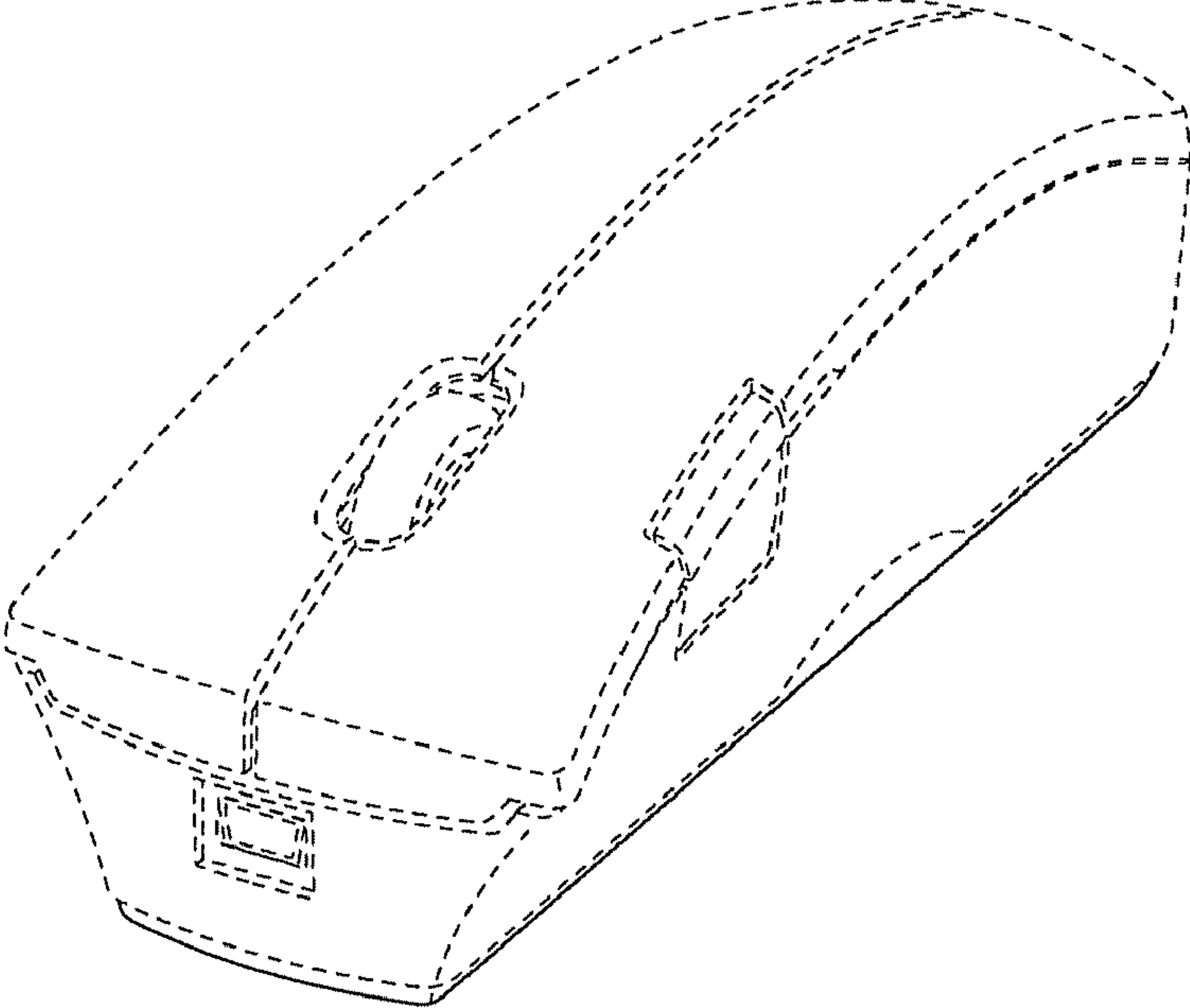


FIG. 1

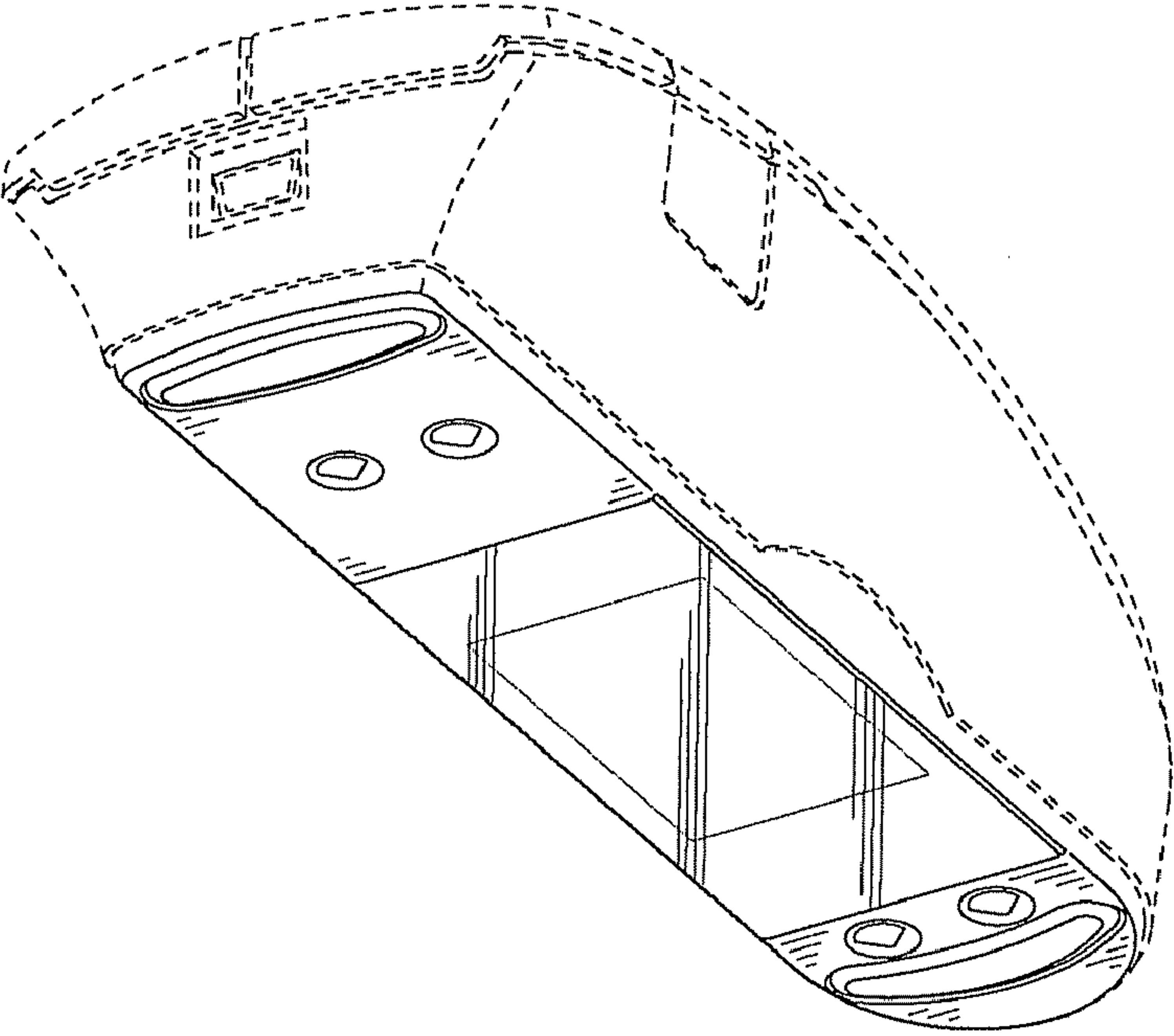


FIG. 2

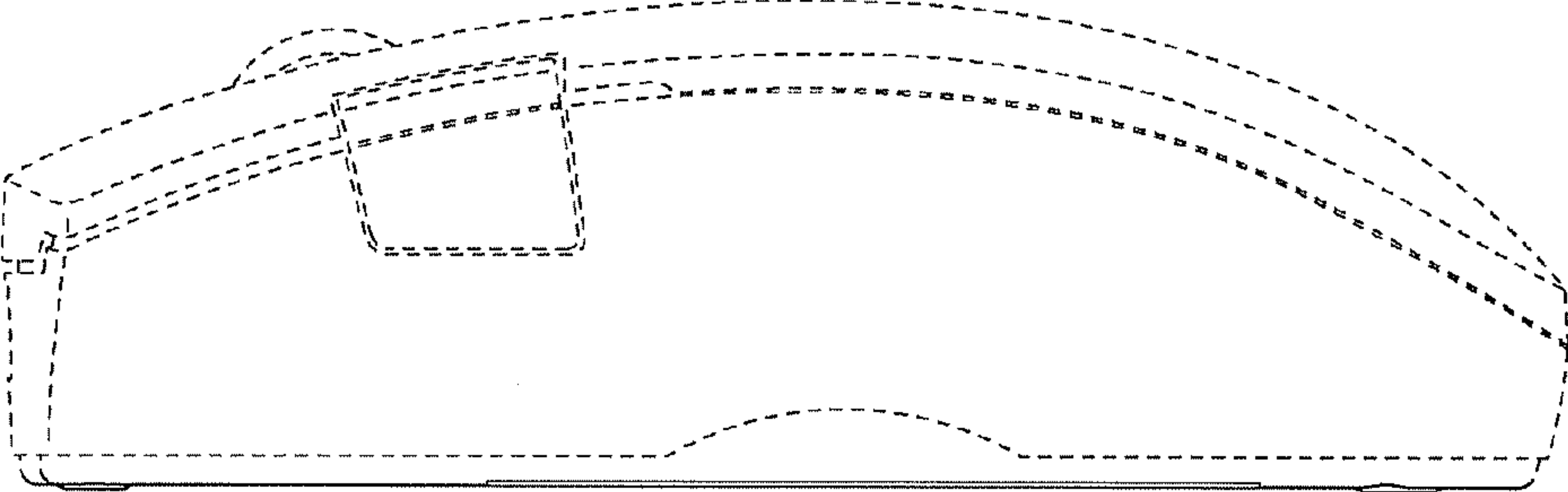


FIG. 3

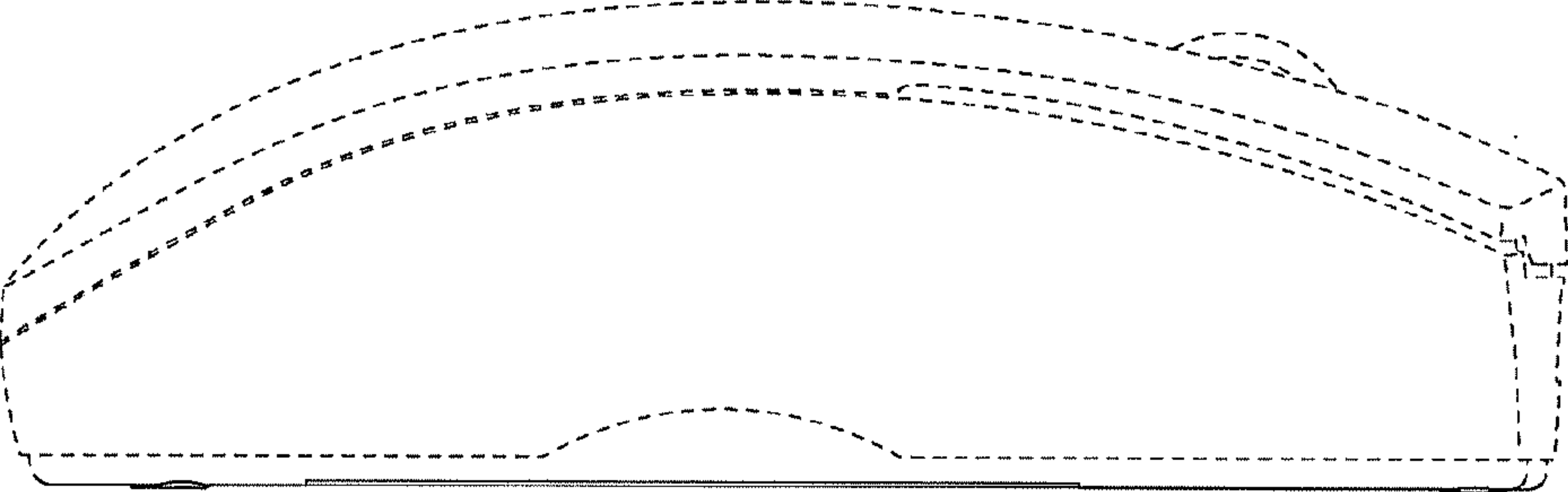


FIG. 4

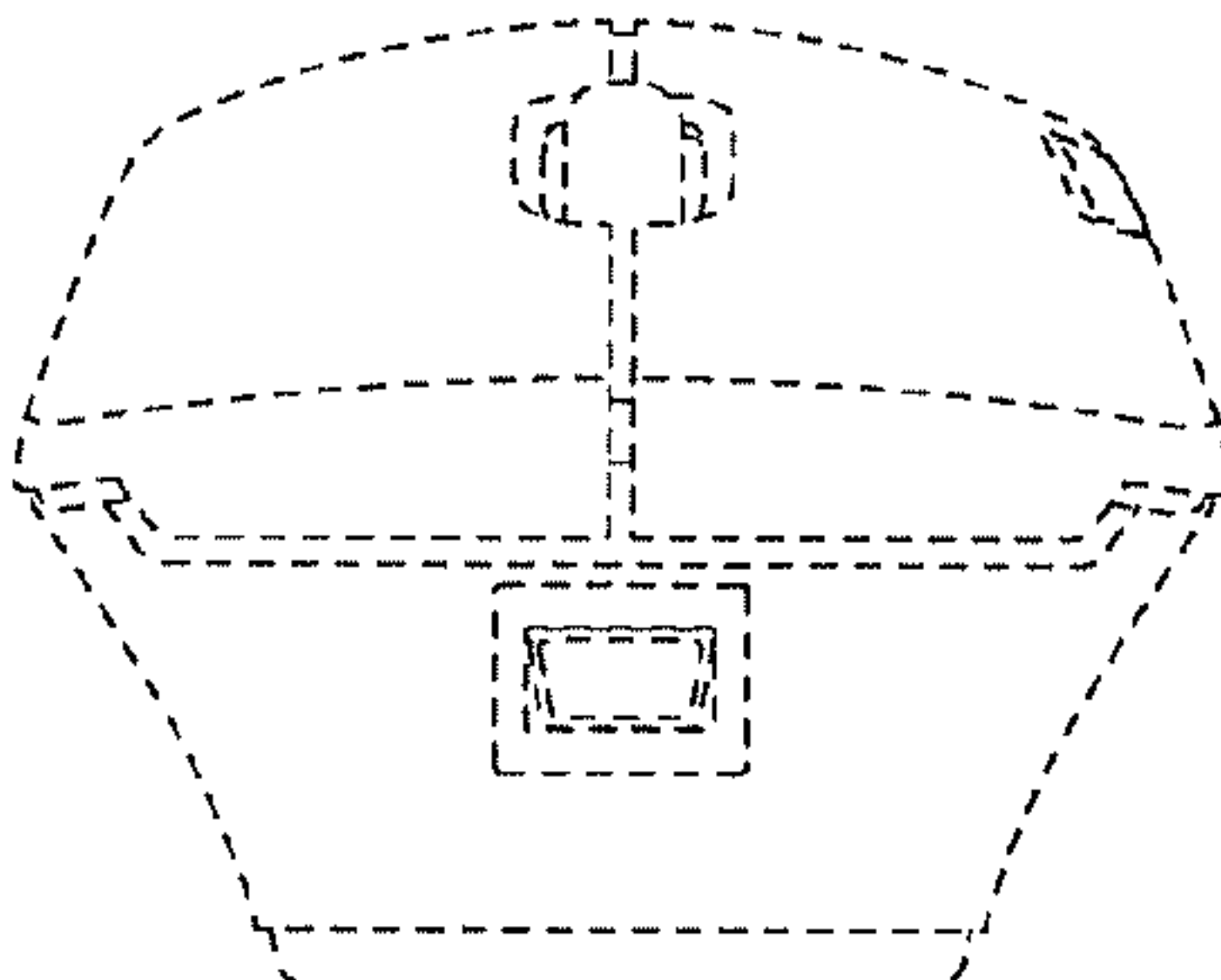


FIG. 5

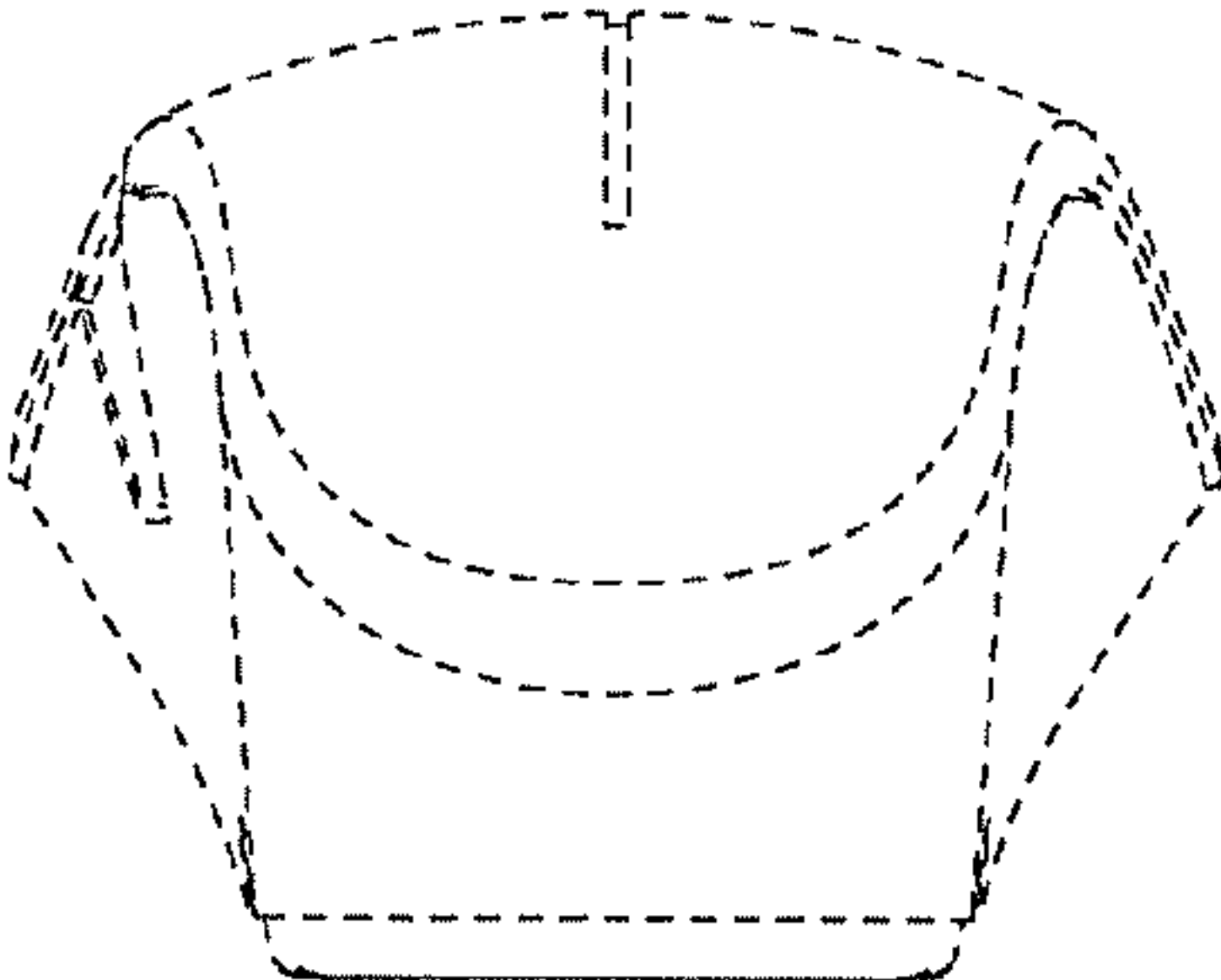


FIG. 6

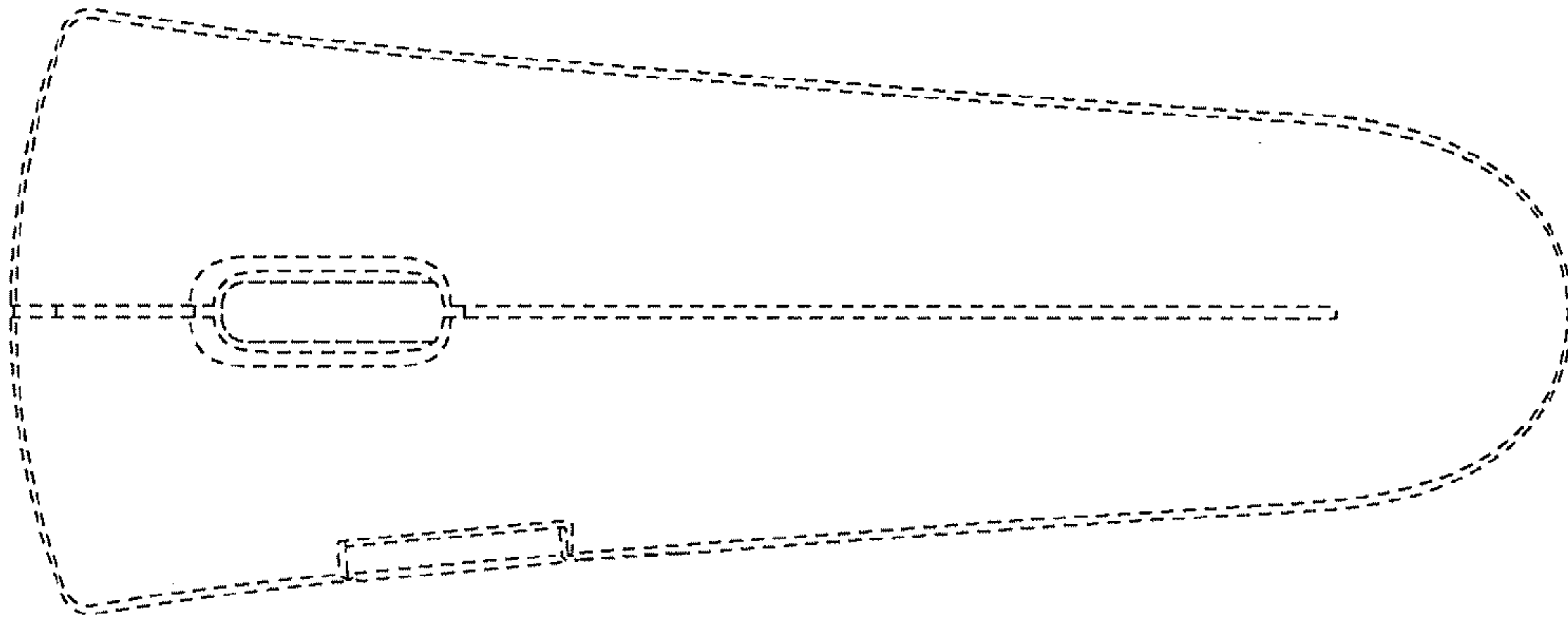


FIG. 7

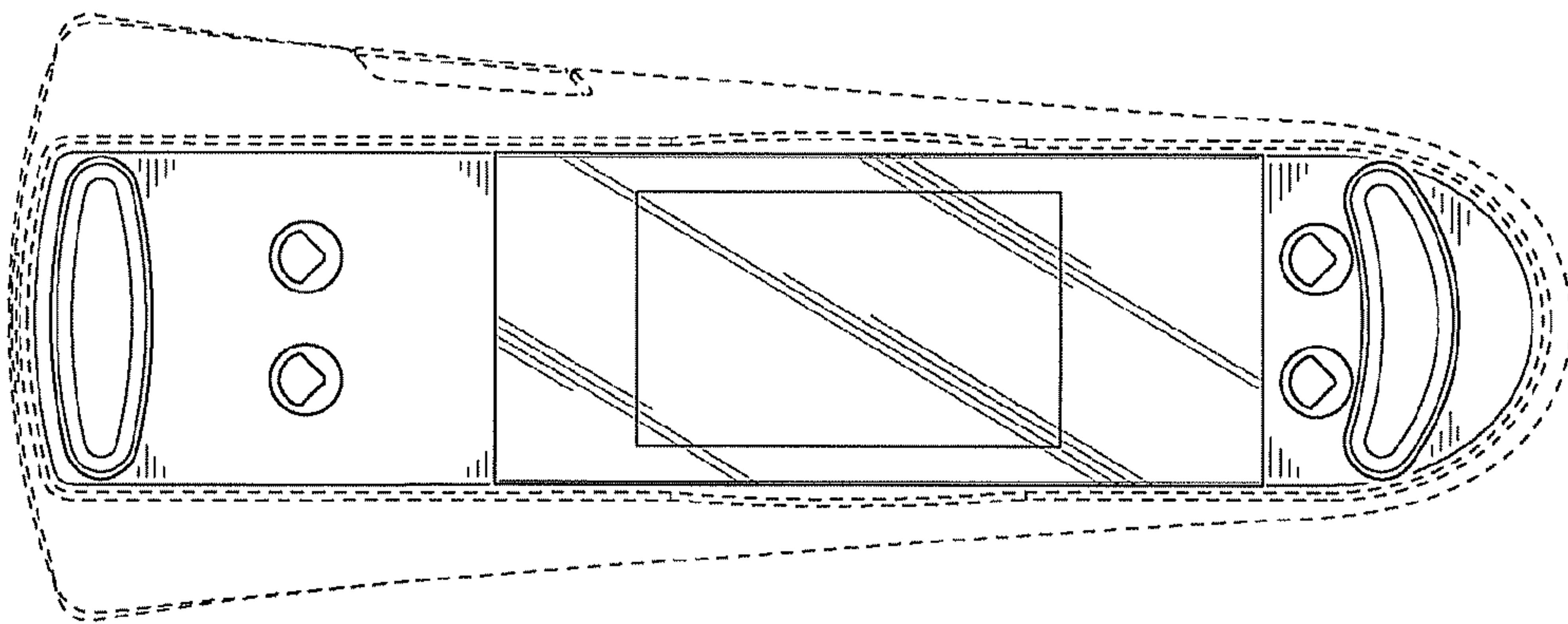


FIG. 8