



US00D615543S

(12) **United States Design Patent**  
**Padilla et al.**

(10) **Patent No.:** **US D615,543 S**

(45) **Date of Patent:** **\*\* May 11, 2010**

(54) **CARD READING APPARATUS**

(75) Inventors: **Toby Mark Padilla**, Lakewood, CO (US); **Randall Dennis Bousfield**, Arvada, CO (US); **David William Adams**, Minneapolis, MN (US); **David Edward Andresky**, Lafayette, CO (US)

(73) Assignee: **Assa Abloy AB**, Stockholm (SE)

(\*\*) Term: **14 Years**

(21) Appl. No.: **29/340,650**

(22) Filed: **Jul. 22, 2009**

(51) **LOC (9) Cl.** ..... **14-02**

(52) **U.S. Cl.** ..... **D14/385; D18/4.6**

(58) **Field of Classification Search** ..... D14/338–340, D14/346, 347, 356–369, 383–401, 412–417, D14/432–439, 447, 454–457, 496, 511, 203.1, D14/203.3, 217, 218, 238.1, 247, 251, 253, D14/257, 240, 299, 902, 402–411; D13/123, D13/133, 149, 154, 156, 158, 162–164, 168, D13/169, 171, 173, 174, 146; 463/37, 38; 345/156, 157, 161, 163–169, 184; D18/4.6; 235/482, 483, 380, 382

See application file for complete search history.

(56) **References Cited**

**U.S. PATENT DOCUMENTS**

4,788,420	A *	11/1988	Chang et al.	235/483
D298,944	S *	12/1988	Stark et al.	D18/4.6
D338,876	S *	8/1993	Nair et al.	D18/4.6
D340,919	S *	11/1993	Lee	D18/4.6
5,425,080	A *	6/1995	Abbie	379/91.01
5,426,286	A *	6/1995	Nair et al.	235/449
D367,044	S *	2/1996	Arakaki	D18/4.6

5,786,587	A *	7/1998	Colgate, Jr.	235/487
D397,682	S *	9/1998	Yotukura	D18/4.6
D400,191	S *	10/1998	Butts et al.	D14/385
5,850,217	A *	12/1998	Cole	715/700
D409,650	S *	5/1999	Hanna et al.	D18/4.6
5,933,812	A *	8/1999	Meyer et al.	705/15
D425,873	S *	5/2000	Anderson et al.	D14/399
D428,046	S *	7/2000	Berger	D18/4.6
D454,876	S *	3/2002	Lum et al.	D14/392
6,445,572	B1 *	9/2002	Chou	361/679.4
D500,038	S *	12/2004	Toratani et al.	D14/385
6,963,266	B2 *	11/2005	Palomaki et al.	340/5.22
D564,014	S *	3/2008	Spence et al.	D18/4.6
D599,189	S *	9/2009	Nunez et al.	D8/331

\* cited by examiner

*Primary Examiner*—Cathron C Brooks

*Assistant Examiner*—Deanna Fluegeman

(74) *Attorney, Agent, or Firm*—Sheridan Ross P.C.

(57) **CLAIM**

The ornamental design for a card reading apparatus, as shown and described.

**DESCRIPTION**

FIG. 1 is a perspective view of a card reading apparatus;

FIG. 2 is a front plan view thereof;

FIG. 3 is a bottom elevational view thereof;

FIG. 4 is a right side elevational view thereof;

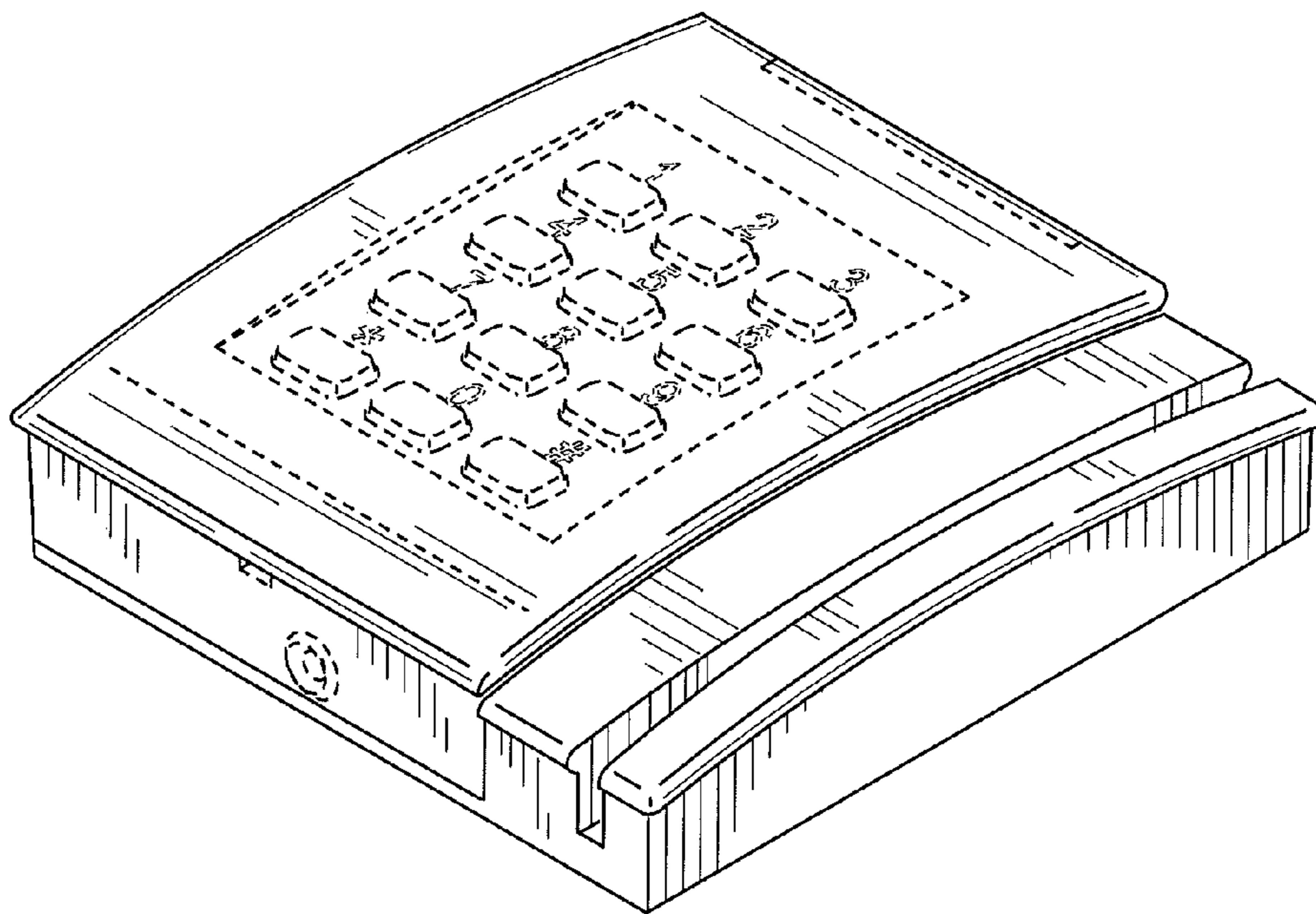
FIG. 5 is a top elevational view thereof;

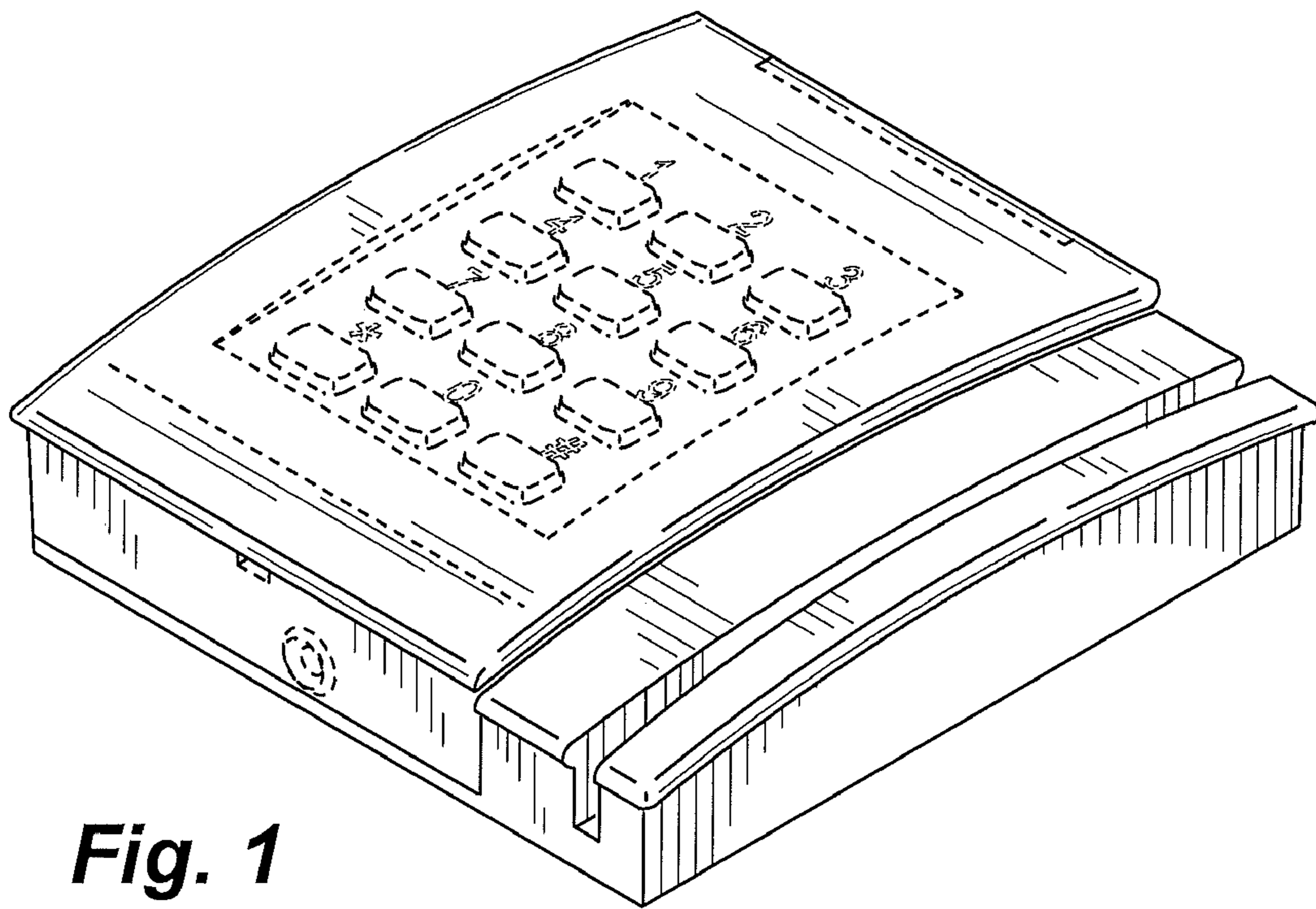
FIG. 6 is a left side elevational view thereof; and,

FIG. 7 is a back plan view thereof.

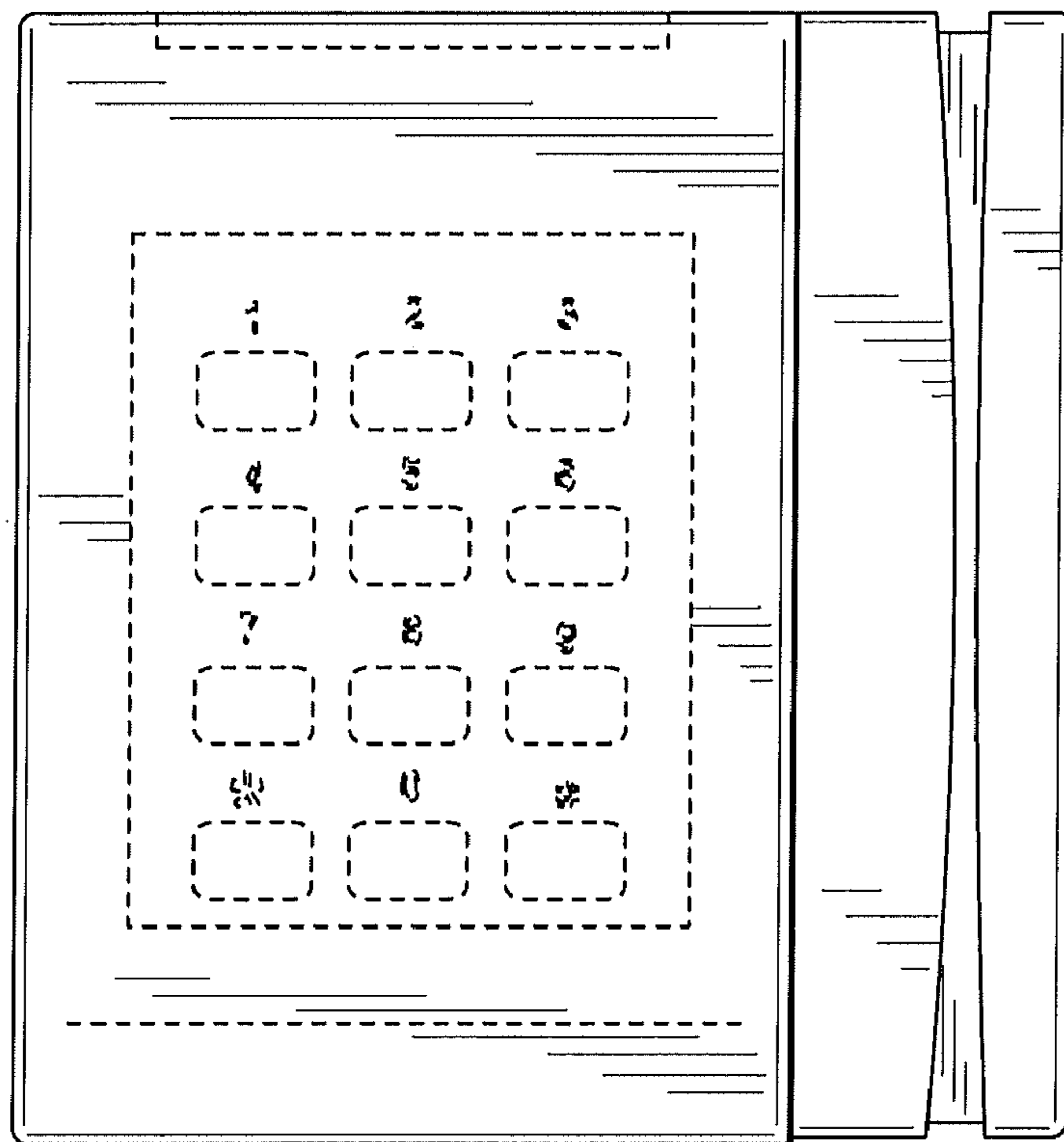
The portions of the card reading apparatus illustrated in broken lines form no part of the claimed design.

**1 Claim, 3 Drawing Sheets**

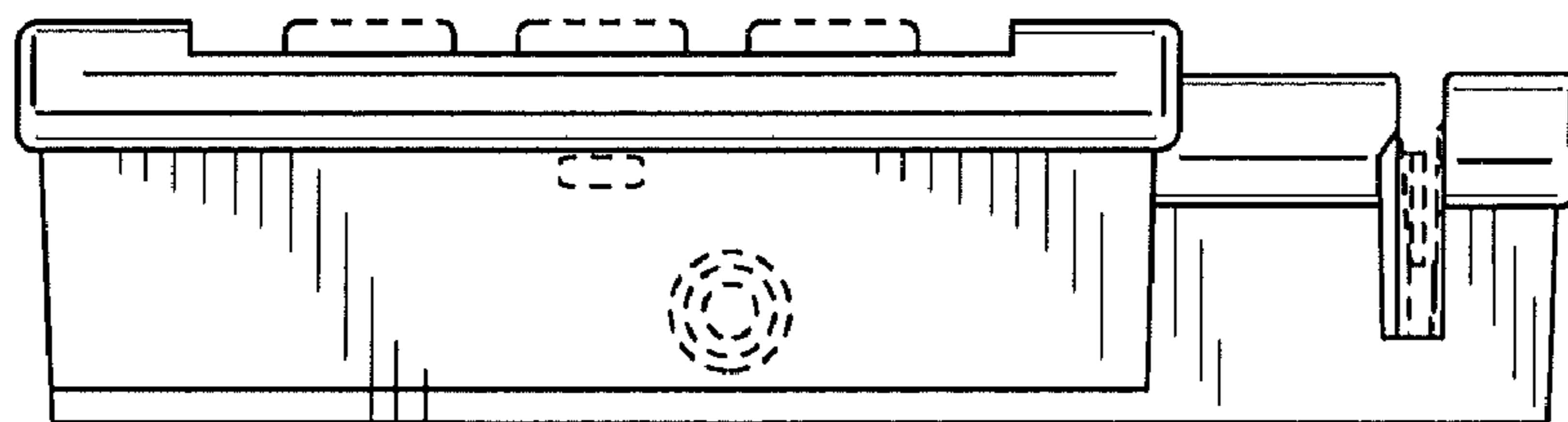




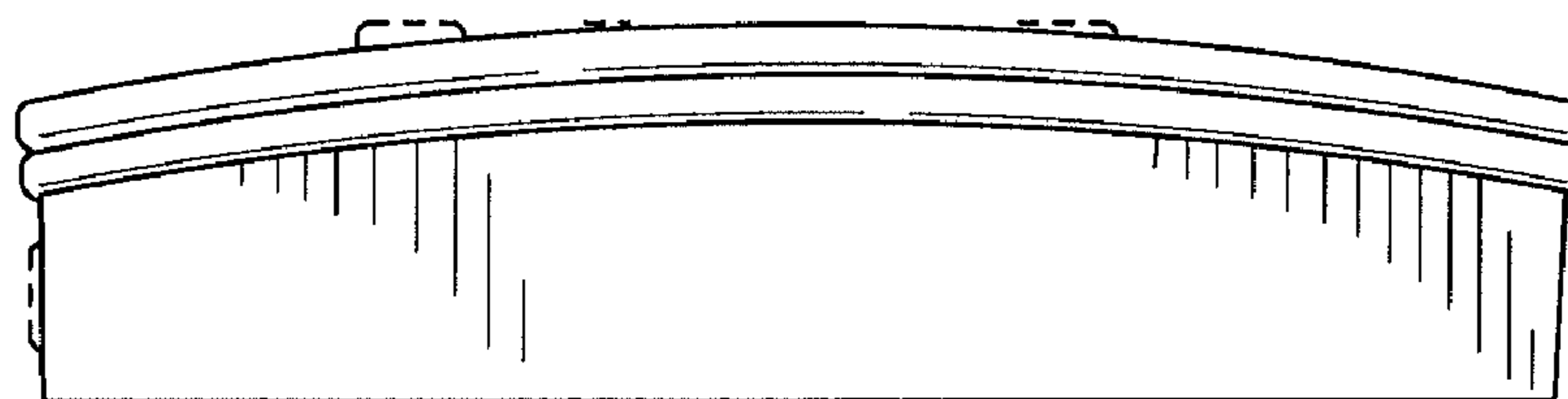
**Fig. 1**



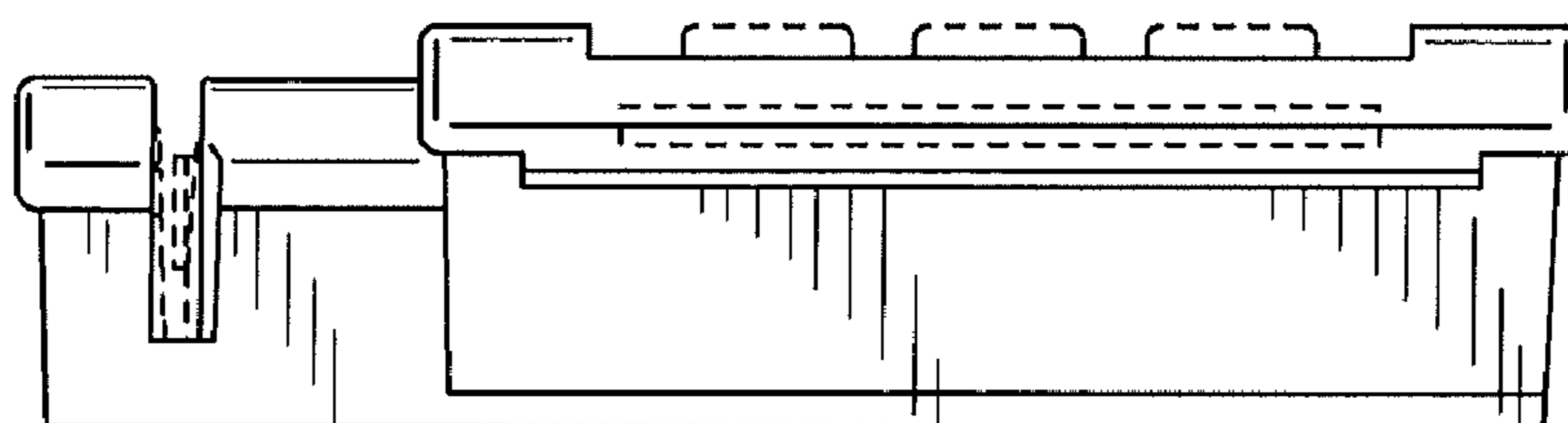
**Fig. 2**



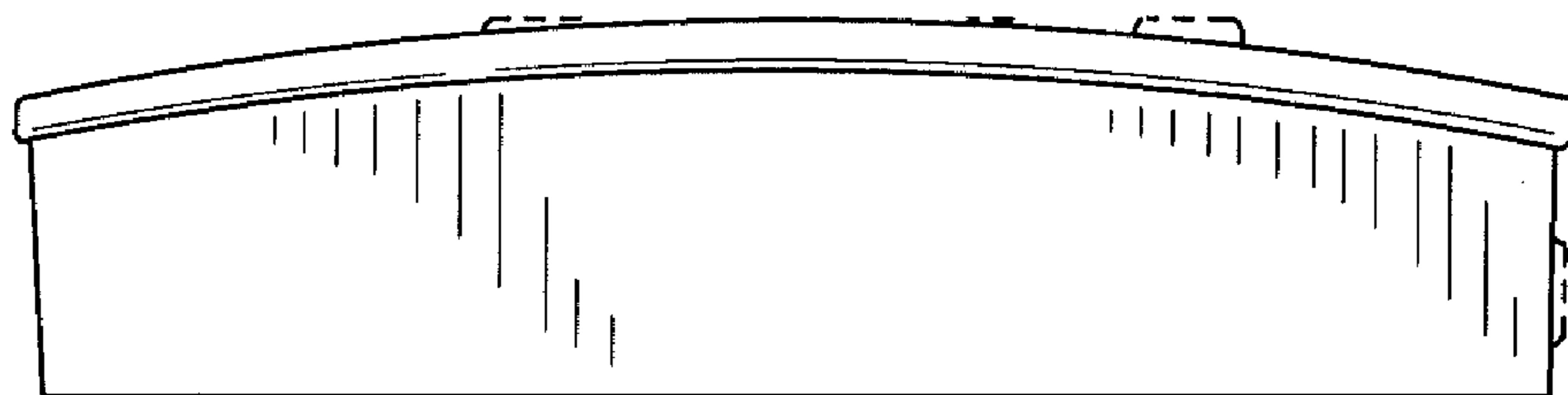
**Fig. 3**



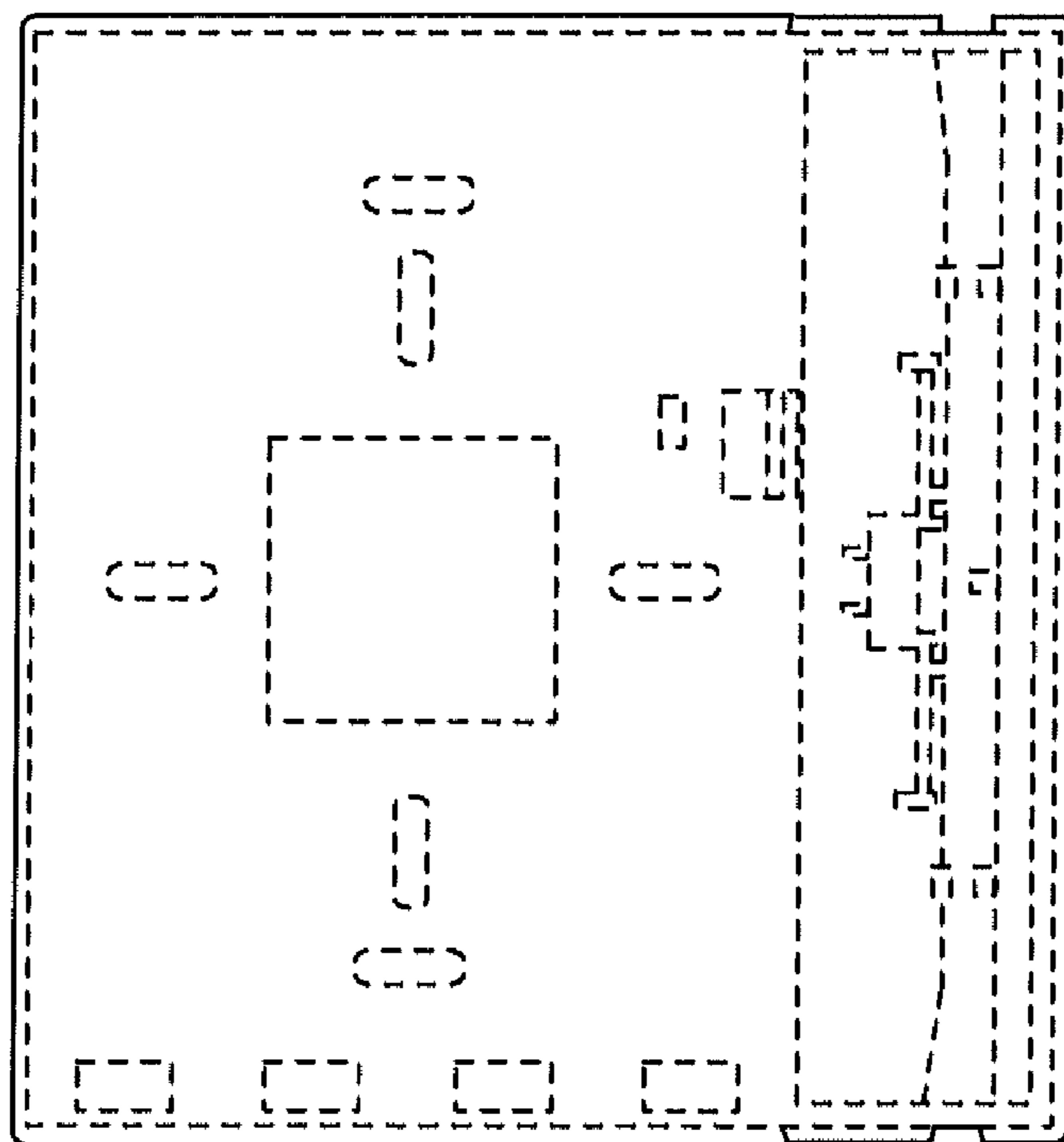
**Fig. 4**



**Fig. 5**



**Fig. 6**



**Fig. 7**