



US00D615542S

(12) **United States Design Patent**
Oikawa et al.

(10) **Patent No.:** **US D615,542 S**
(45) **Date of Patent:** **** May 11, 2010**

(54) **MONITOR DISPLAY**

(75) Inventors: **Yuji Oikawa**, Tokyo (JP); **Daisuke Ishii**, Tokyo (JP); **Katsuhisa Hakoda**, Tokyo (JP)

(73) Assignee: **Sony Corporation**, Tokyo (JP)

(**) Term: **14 Years**

(21) Appl. No.: **29/347,086**

(22) Filed: **Sep. 18, 2009**

Related U.S. Application Data

(63) Continuation of application No. 29/309,246, filed on Jul. 11, 2008, now Pat. No. Des. 601,143.

(30) **Foreign Application Priority Data**

Jan. 29, 2008 (CN) 2008 3 0003084

(51) **LOC (9) Cl.** **14-02**

(52) **U.S. Cl.** **D14/374**; D14/336; D6/308

(58) **Field of Classification Search** D14/371-376, D14/125-129, 331, 336; D6/300, 308; 345/104, 345/156, 168, 173, 901-905; 248/917-924, 248/121, 176.1, 278.1; 348/180, 184, 325, 348/739; 349/1, 2, 11, 62; 361/679.01-679.09
See application file for complete search history.

(56) **References Cited**

U.S. PATENT DOCUMENTS

D355,170 S 2/1995 Mizusugi et al.
D380,213 S 6/1997 Morimiya
D432,102 S 10/2000 Arie
D446,515 S 8/2001 Arpe
D463,420 S 9/2002 Stener et al.
D464,348 S 10/2002 Takemasa et al.

D483,035 S 12/2003 Lee
D489,067 S 4/2004 Olson et al.
D500,991 S 1/2005 Niitsu
D501,185 S 1/2005 Sato et al.
D513,254 S 12/2005 Chu et al.
D534,508 S 1/2007 Yamada
D538,800 S 3/2007 Zhang et al.
D556,707 S 12/2007 Fujii
D564,990 S 3/2008 Ueno
D572,023 S 7/2008 Park
D595,248 S 6/2009 Fujii et al.
D601,143 S * 9/2009 Oikawa et al. D14/371

* cited by examiner

Primary Examiner—Freda S Nunn

(74) *Attorney, Agent, or Firm*—Rader, Fishman & Grauer, PLLC

(57) **CLAIM**

The ornamental design for a monitor display, as shown and described.

DESCRIPTION

FIG. 1 is a top, front, right perspective view of a monitor display showing our new design;

FIG. 2 is a top, rear, right perspective view thereof;

FIG. 3 is a front elevational view thereof;

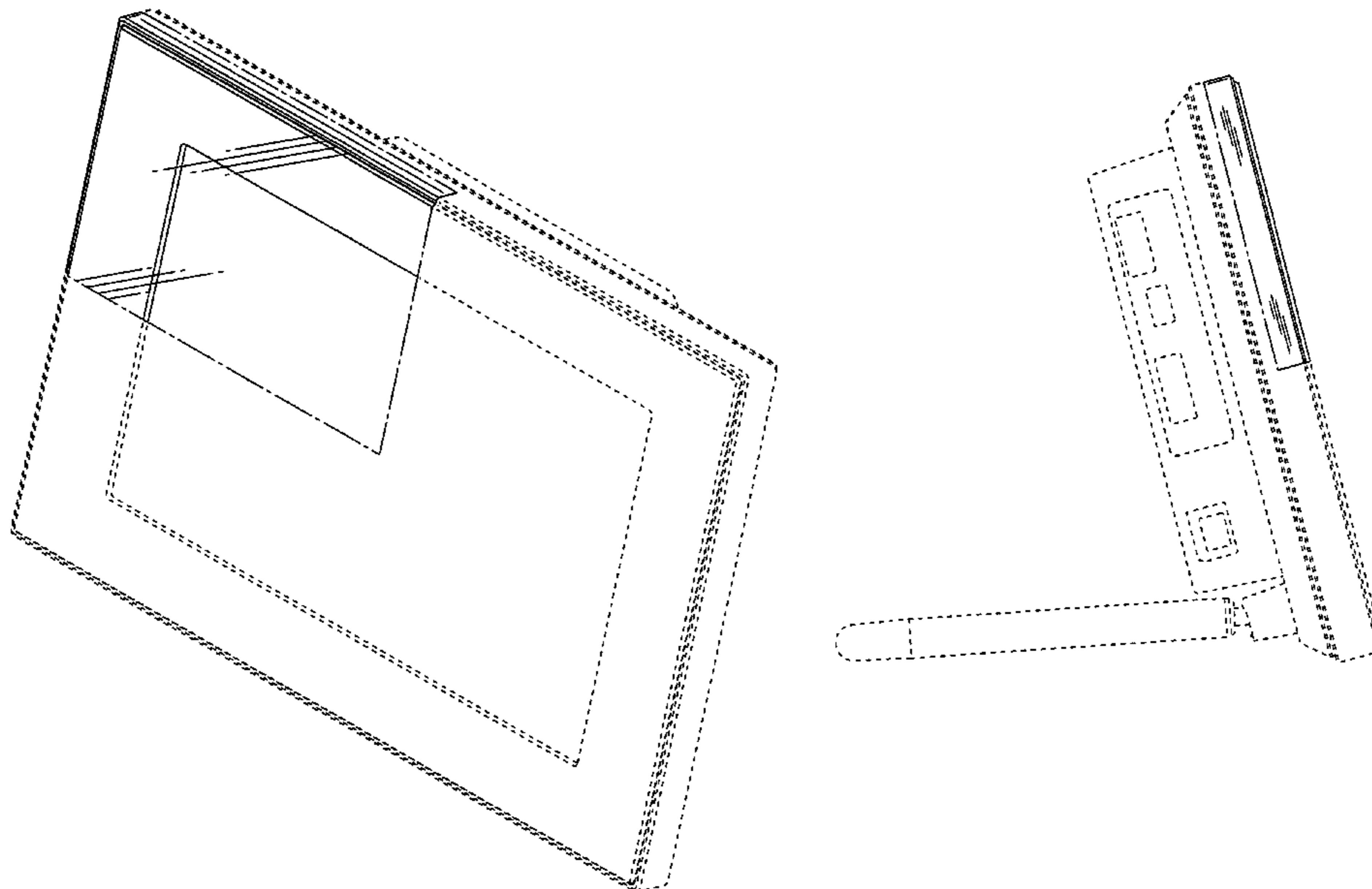
FIG. 4 is a rear elevational view thereof;

FIG. 5 is a left side elevational view thereof; and,

FIG. 6 is a top plan view thereof.

The dotted lines shown in the drawings illustrate portions of the monitor display and form no part of the claimed design. The dash-dot-dash line sequence indicates the boundary of the claimed design.

1 Claim, 6 Drawing Sheets



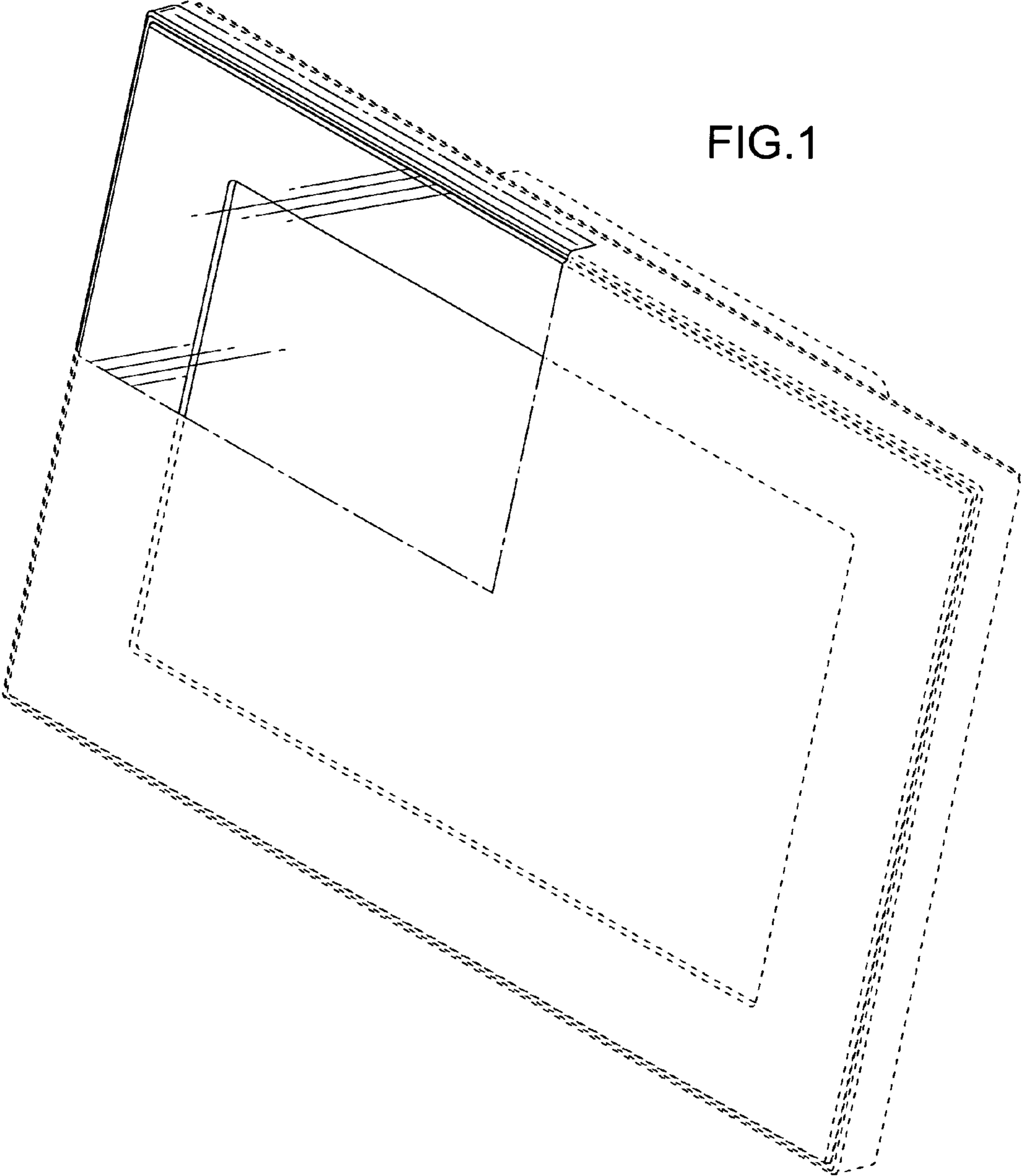


FIG.1

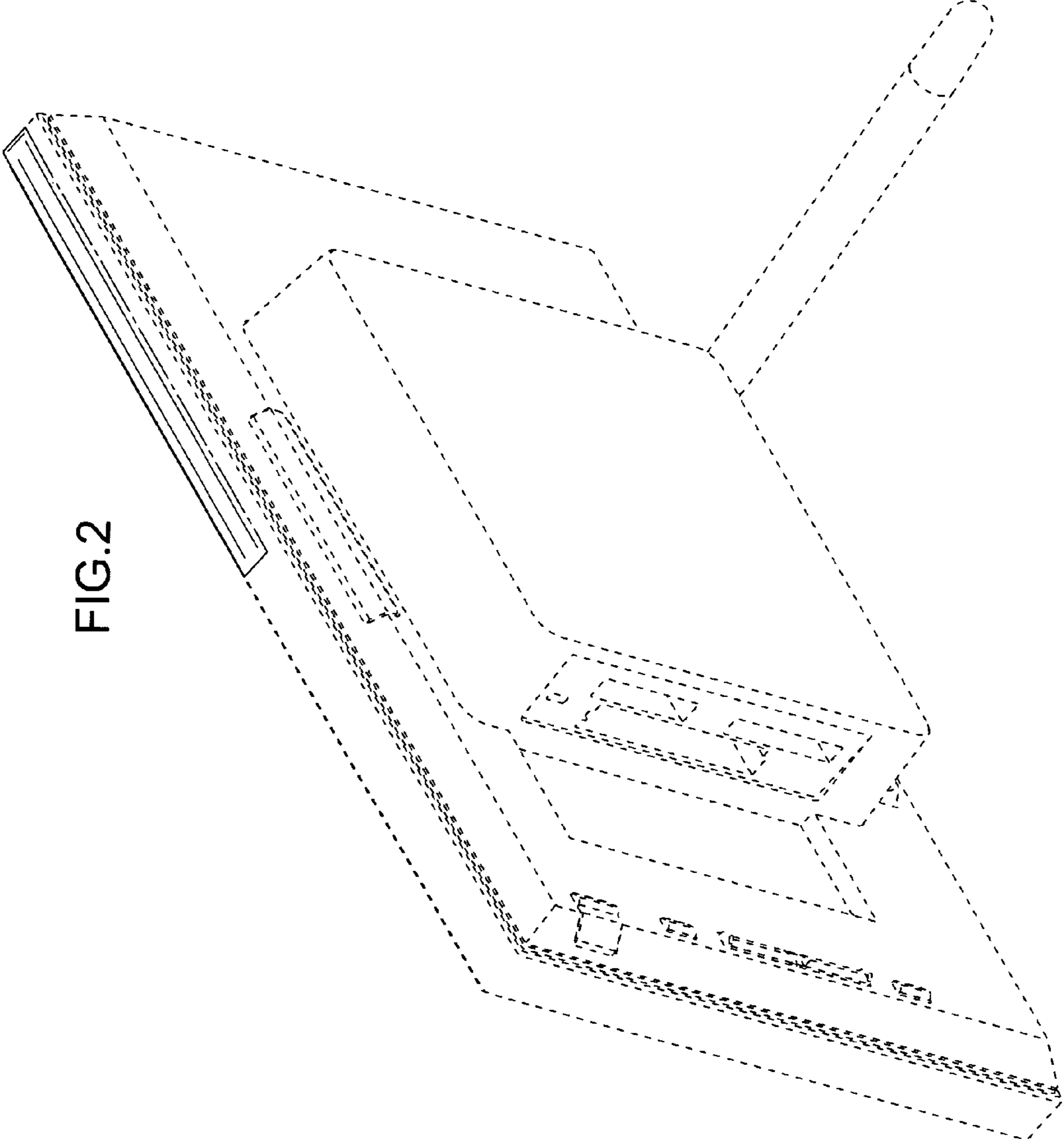


FIG. 2

FIG.3

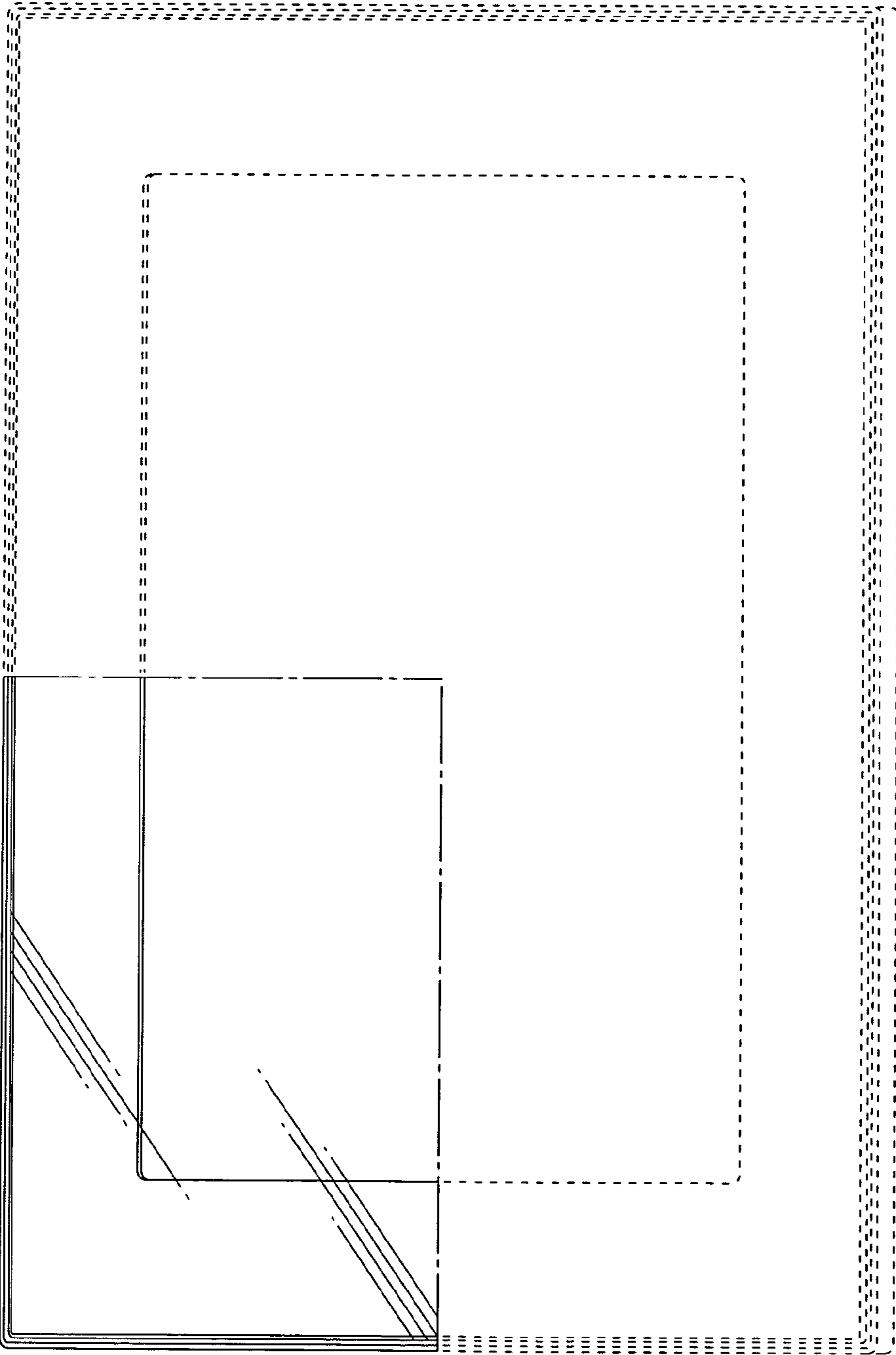


FIG.4

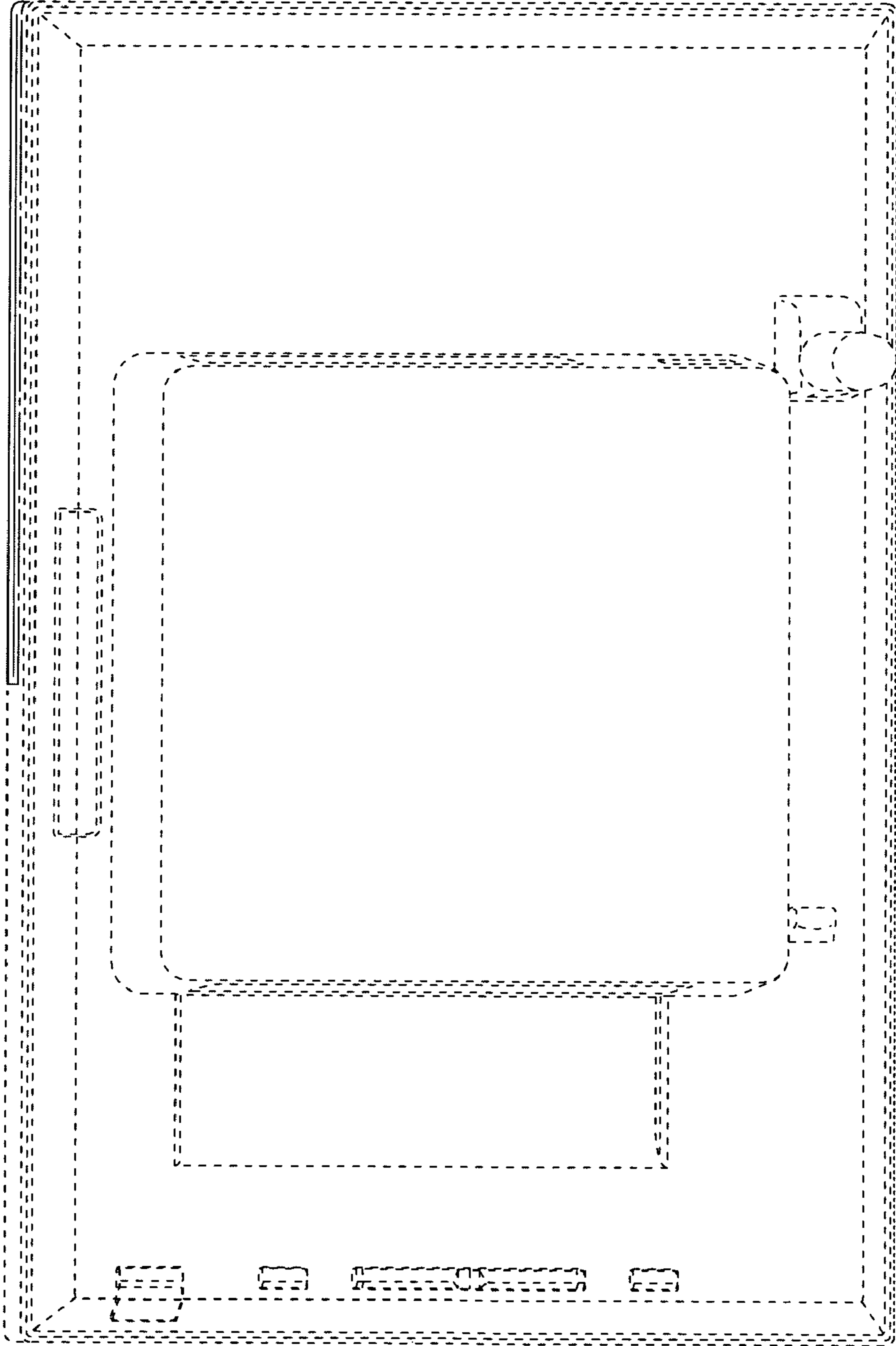


FIG.5

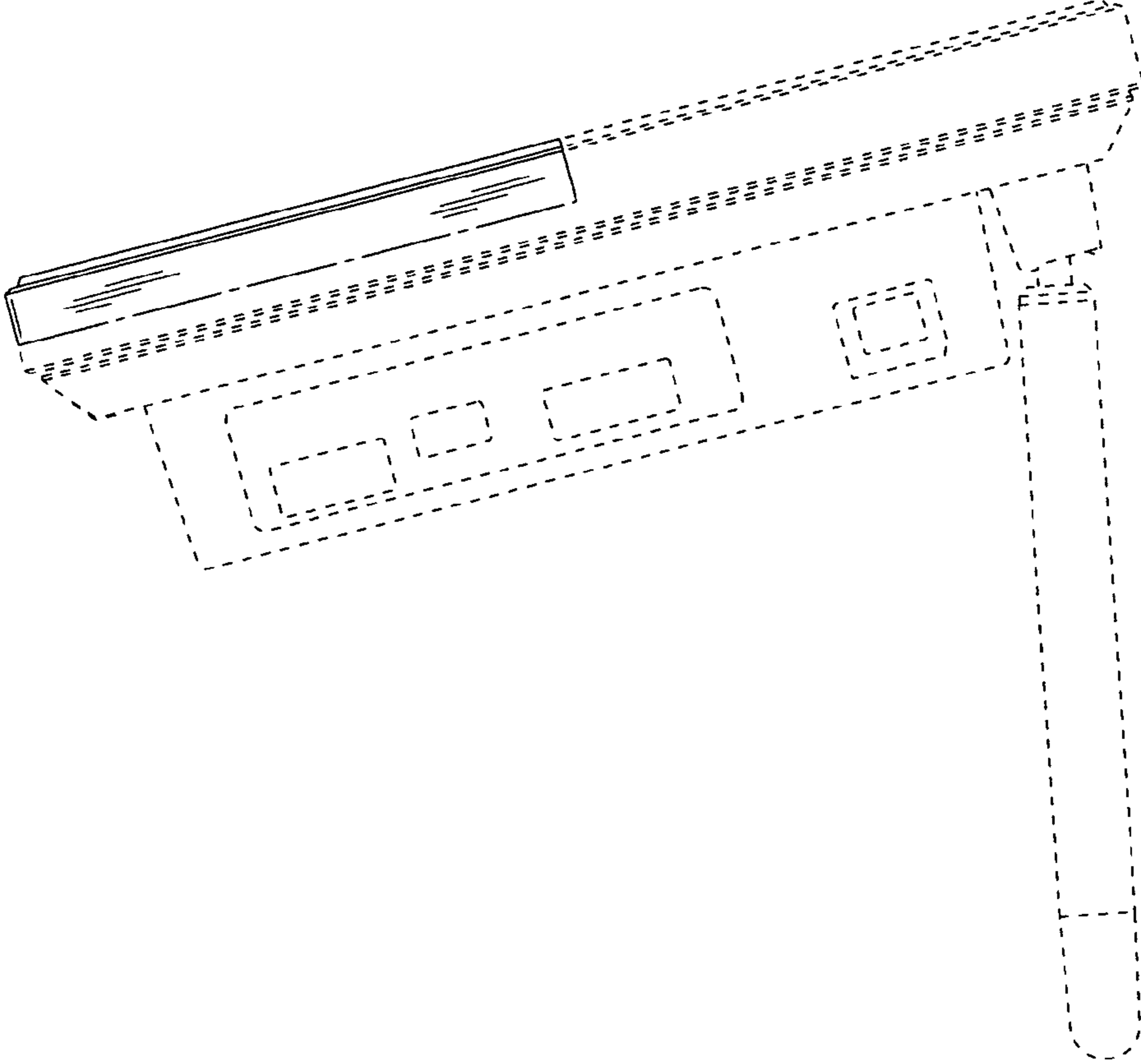


FIG.6

