



US00D615540S

(12) **United States Design Patent**
Lan et al.

(10) **Patent No.:** **US D615,540 S**
(45) **Date of Patent:** **** May 11, 2010**

(54) **HAND HELD DEVICE**

(75) Inventors: **De-Zheng Lan**, Shang Hai (CN);
Shih-Chin Tseng, Shang Hai (CN)

(73) Assignee: **Inventec Appliances (Shanghai) Co., Ltd.**, Shang Hai (CN)

(**) Term: **14 Years**

(21) Appl. No.: **29/336,547**

(22) Filed: **May 5, 2009**

(30) **Foreign Application Priority Data**

Nov. 18, 2008 (CN) 2008 3 0186121

(51) **LOC (9) Cl.** **14-02**

(52) **U.S. Cl.** **D14/345; D14/342**

(58) **Field of Classification Search** D14/341-347,
D14/390, 411, 426, 427, 431, 432, 439, 454,
D14/455, 456, 138 R, 138 AA, 138 AB, 138 AC,
D14/138 AD, 138 C, 138 G, 137, 203.7,
D14/203.3, 203.4, 203.5, 203.6, 238.1, 247,
D14/248, 250, 251, 252, 254, 496; D21/329,
D21/330, 331, 333; D18/7; D10/65; 345/169,
345/901, 905; 379/433.13, 910, 916, 433.04,
379/433.07, 433.11, 433.12; 455/556.1,
455/556.2, 566, 575.1, 575.3, 575.4, 90.3
See application file for complete search history.

(56) **References Cited**

U.S. PATENT DOCUMENTS

D554,634 S * 11/2007 Huang D14/341
D556,726 S * 12/2007 Dai D14/138 AA

D564,482 S * 3/2008 Rihu et al. D14/138 AA
D570,840 S * 6/2008 Rak et al. D14/346
D572,697 S * 7/2008 Lee et al. D14/138 AA
D576,593 S * 9/2008 Chang et al. D14/138 AA
D598,887 S * 8/2009 Xiao et al. D14/138 AA
D600,229 S * 9/2009 Kangasmaa D14/138 AA
D601,529 S * 10/2009 Rouger D14/138 AA
D601,540 S * 10/2009 Kim et al. D14/138 AA
D601,987 S * 10/2009 Park et al. D14/138 AA
D603,823 S * 11/2009 Chon et al. D14/138 AA
D603,831 S * 11/2009 Ho et al. D14/138 AA

* cited by examiner

Primary Examiner—Jennifer Rivard

Assistant Examiner—Angela J Lee

(74) *Attorney, Agent, or Firm*—McDermott Will & Emery LLP

(57) **CLAIM**

The ornamental design for a hand held device, as shown and described.

DESCRIPTION

FIG. 1 is a front perspective view of the hand held device, showing the new design;

FIG. 2 is a front view of the hand held device;

FIG. 3 is a rear view of the hand held device;

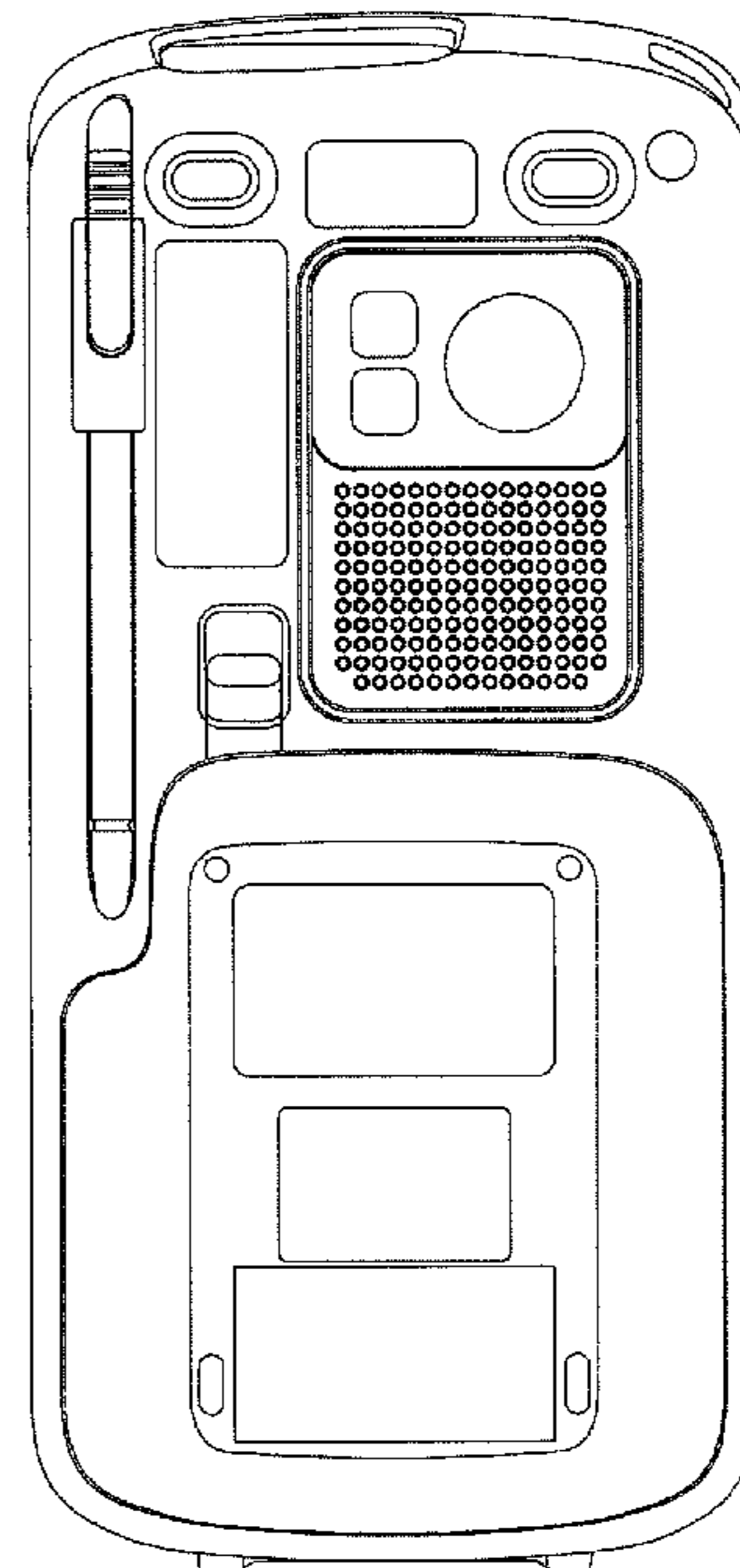
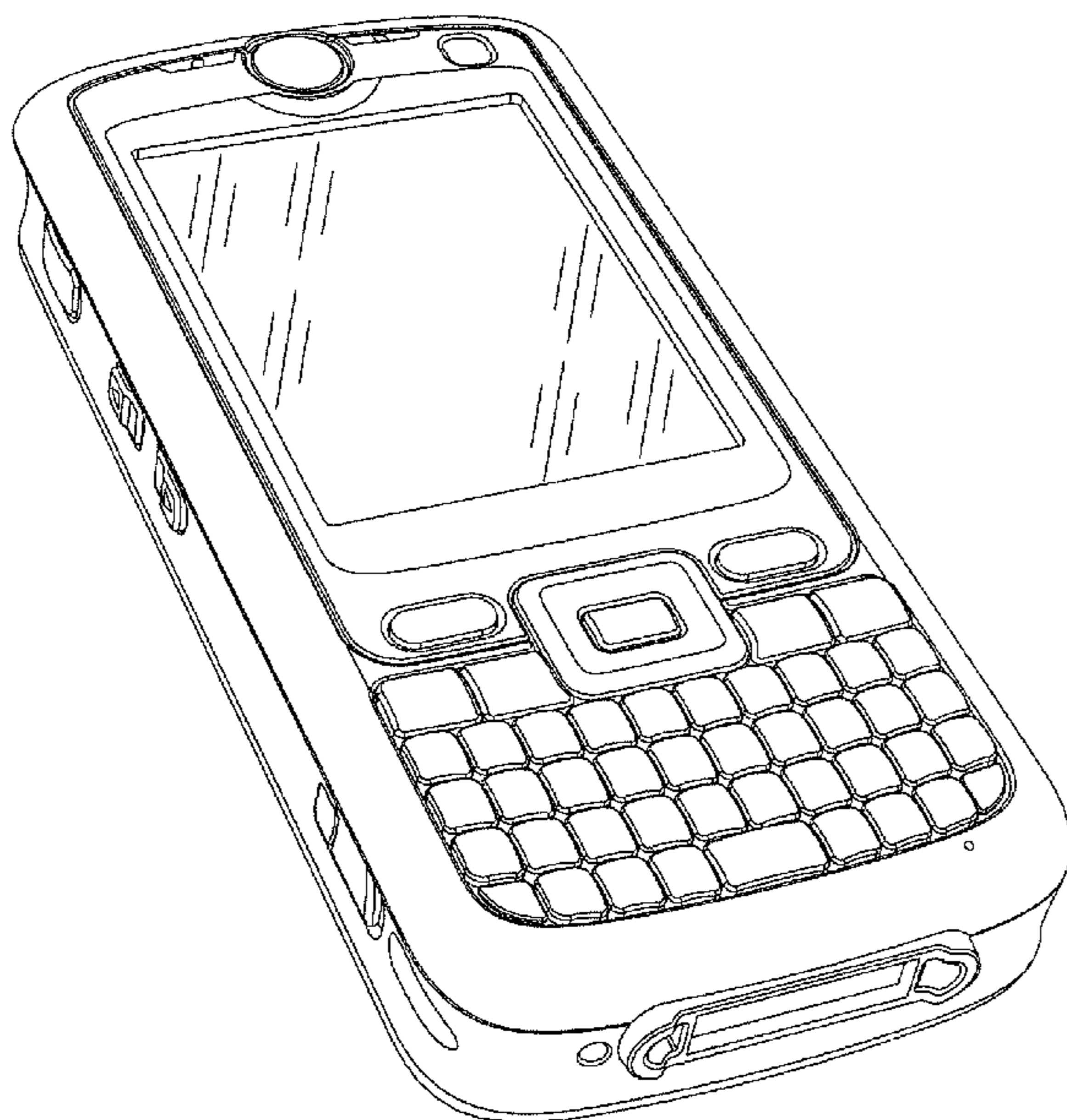
FIG. 4 is a side view of the hand held device;

FIG. 5 is another side view of the hand held device;

FIG. 6 is a top view of the hand held device; and,

FIG. 7 is a bottom view of the hand held device.

1 Claim, 5 Drawing Sheets



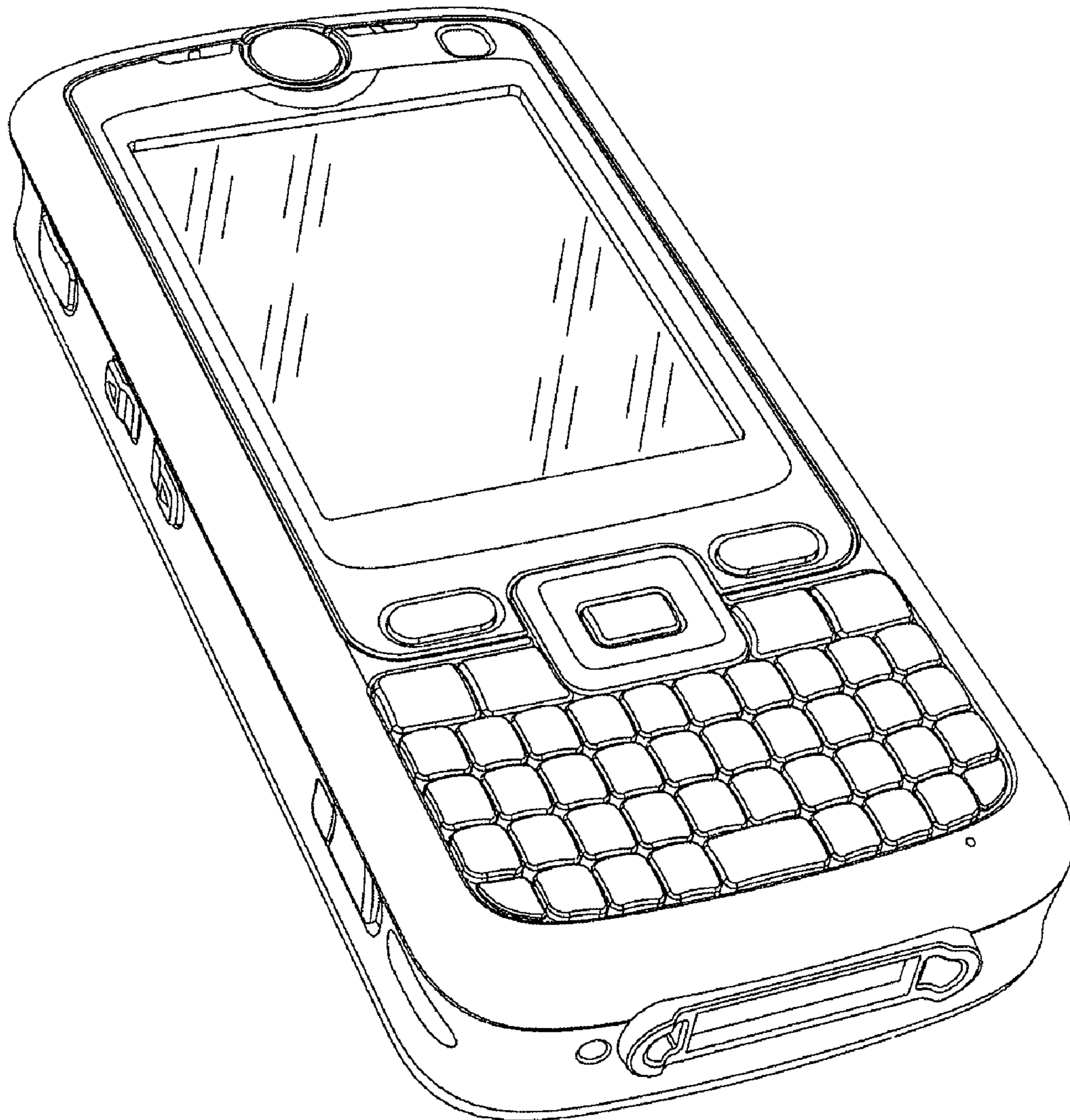


FIG. 1

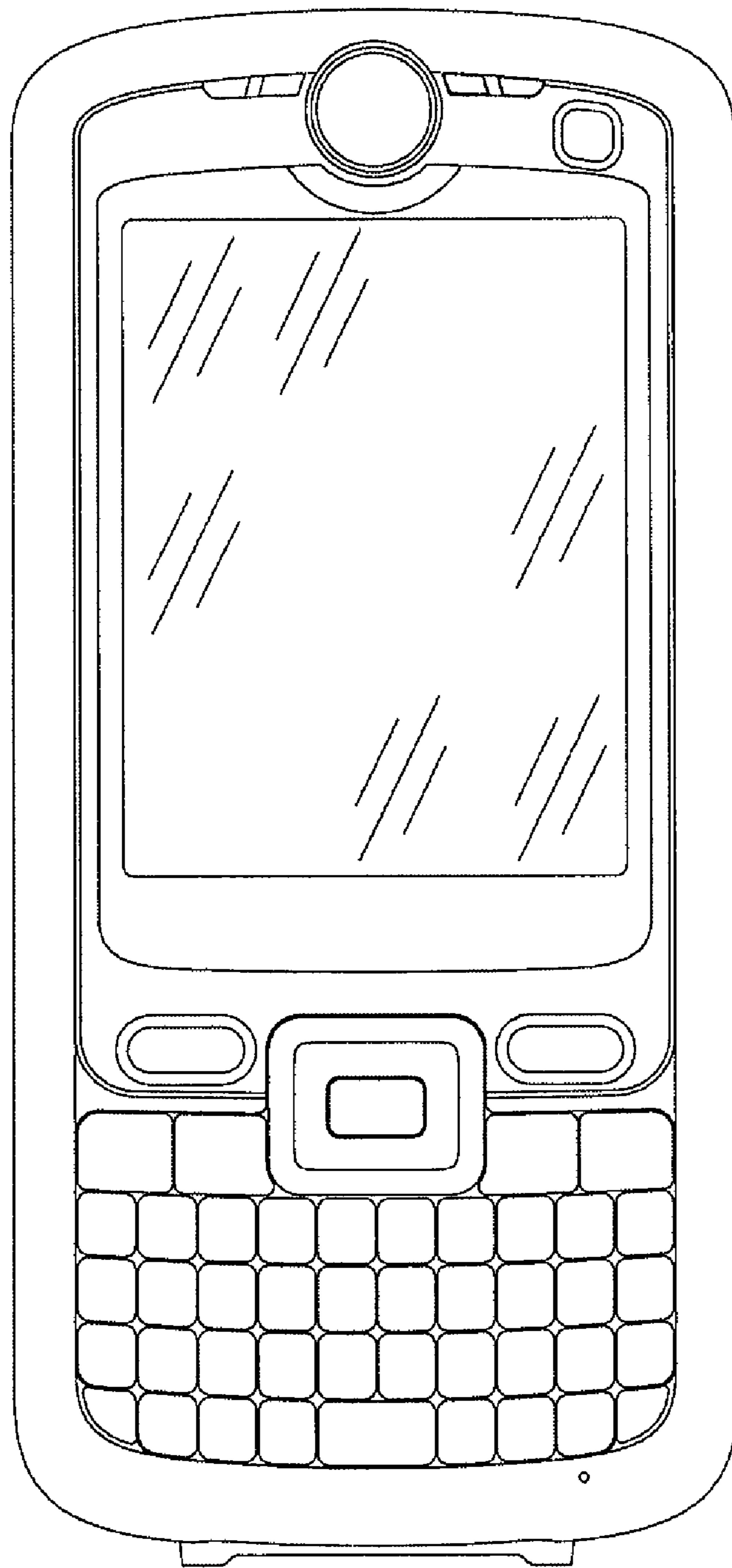


FIG. 2

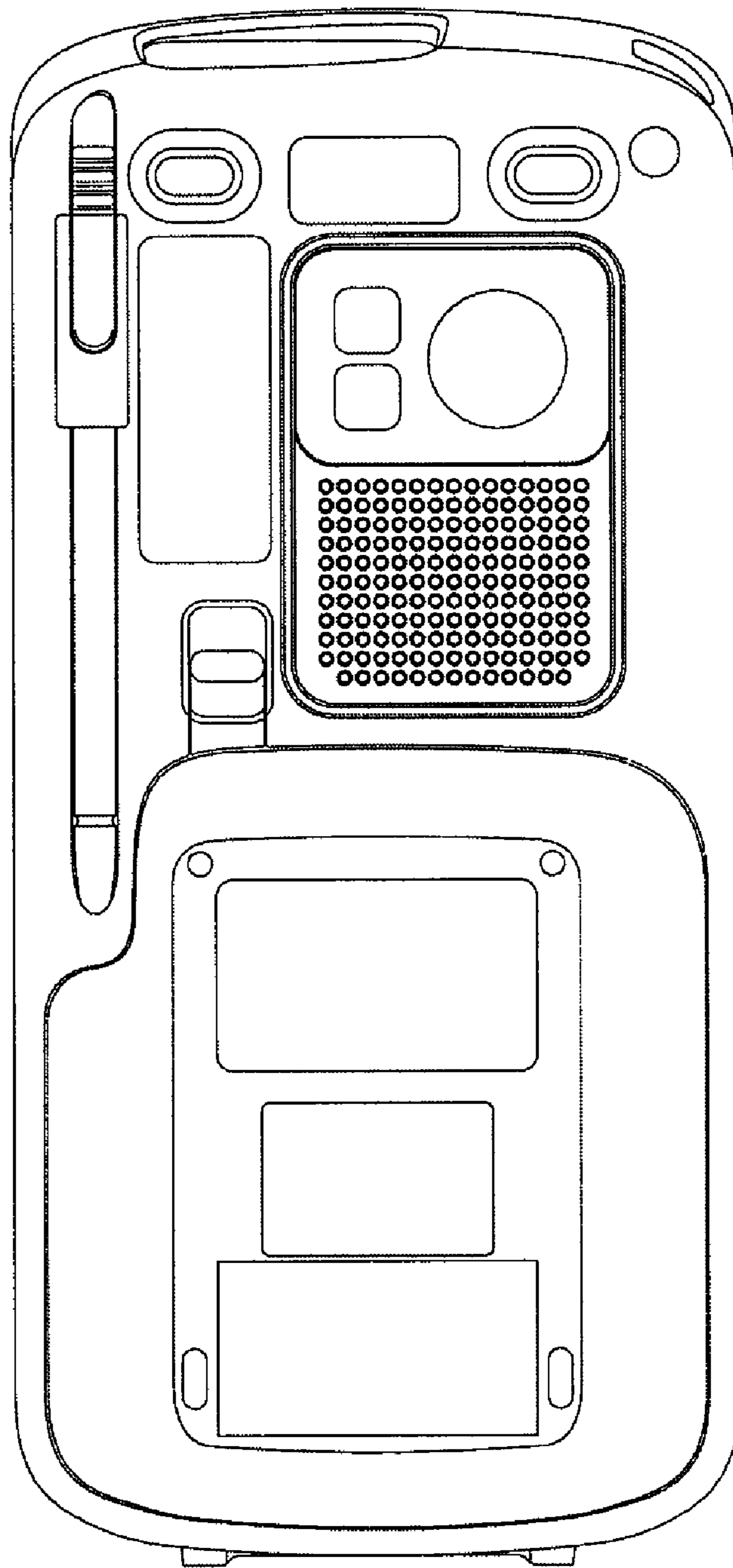


FIG. 3

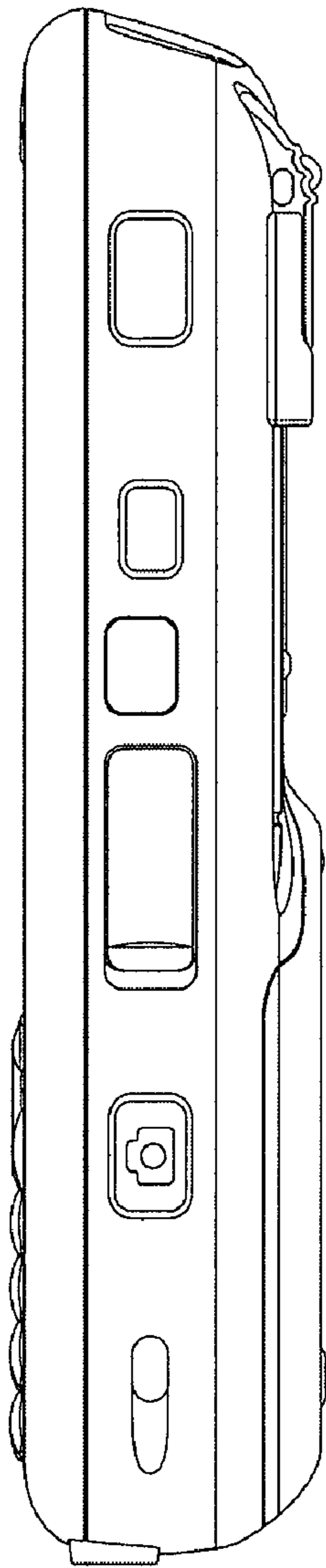


FIG. 4

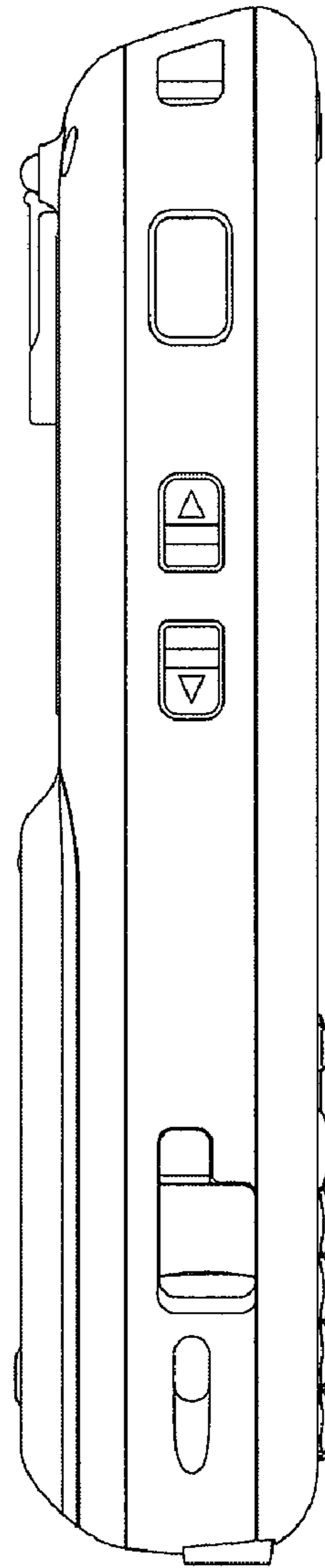


FIG. 5

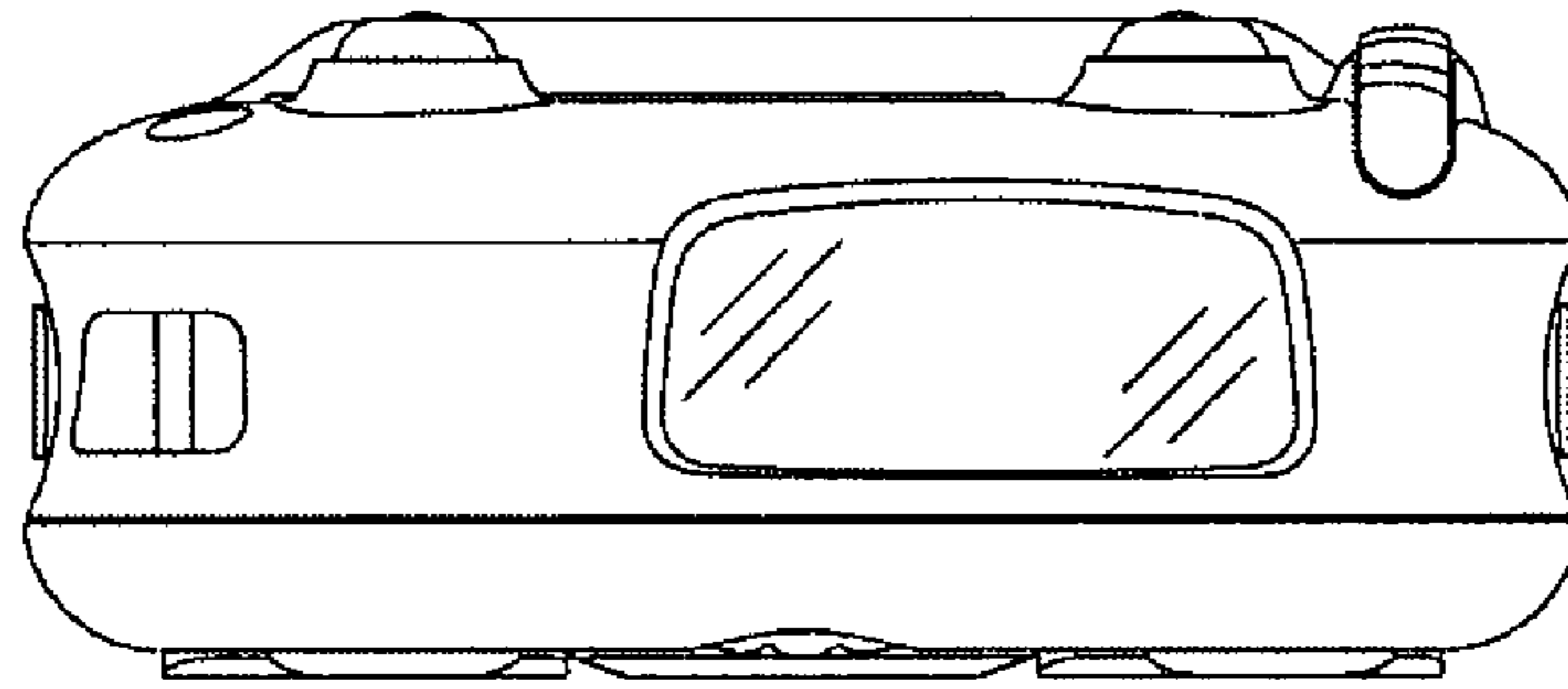


FIG. 6

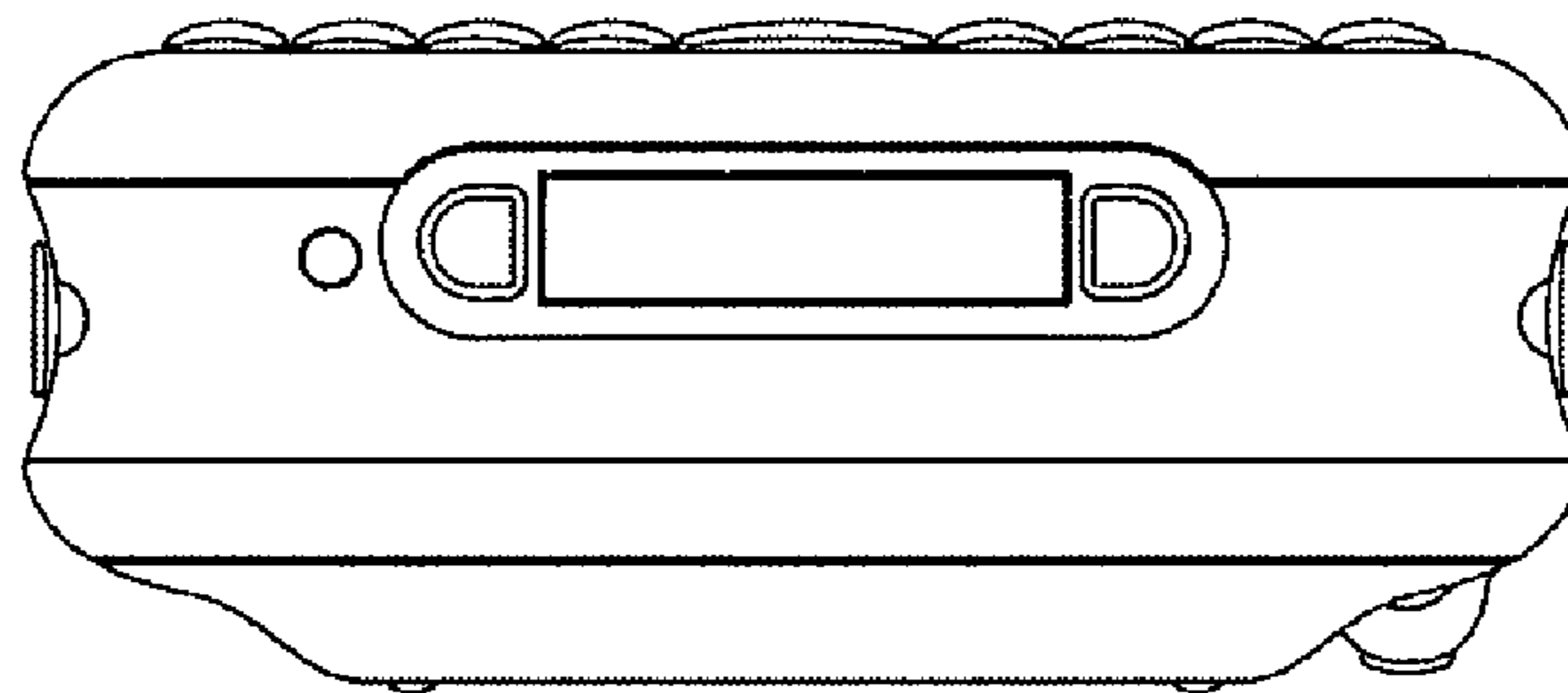


FIG. 7