



US00D615538S

(12) **United States Design Patent**
Huang et al.

(10) **Patent No.:** **US D615,538 S**

(45) **Date of Patent:** **** May 11, 2010**

(54) **NOTEBOOK**

(75) Inventors: **Peng-Yu Huang**, Taipei County (TW);
Ming-Chih Chien, Taipei County (TW)

(73) Assignee: **Quanta Computer Inc.**, Taoyuan Shien
(TW)

(**) Term: **14 Years**

(21) Appl. No.: **29/311,507**

(22) Filed: **Apr. 3, 2009**

(30) **Foreign Application Priority Data**

Feb. 27, 2009 (TW) 98300805

(51) **LOC (9) Cl.** **14-02**

(52) **U.S. Cl.** **D14/315; D14/371**

(58) **Field of Classification Search** D14/391-399,
D14/315, 327, 341-345, 331, 130; D18/1,
D18/2, 7, 11; 178/17 A, 17 C; 345/102,
345/104, 156, 163, 168; 341/22, 23; 361/680-686,
361/679.11, 679.27, 679.06, 679.08; 400/486,
400/489

See application file for complete search history.

(56) **References Cited**

U.S. PATENT DOCUMENTS

D492,301 S * 6/2004 Lu D14/318
D512,055 S * 11/2005 Yeh et al. D14/318

D565,045 S * 3/2008 Wu et al. D14/318
2003/0090473 A1 * 5/2003 Joshi 345/173
2004/0212602 A1 * 10/2004 Nako et al. 345/173
2005/0179670 A1 * 8/2005 Chiang 345/173
2005/0264540 A1 * 12/2005 Niwa 345/173
2006/0087496 A1 * 4/2006 Maciejewski 345/173
2006/0109259 A1 * 5/2006 Ohta 345/173

* cited by examiner

Primary Examiner—Freda S Nunn

(74) *Attorney, Agent, or Firm*—Rabin & Berdo, PC

(57) **CLAIM**

The ornamental design for a notebook, as shown and described.

DESCRIPTION

FIG. 1 is a perspective view of a notebook showing our new design;

FIG. 2 is a front view thereof;

FIG. 3 is a rear view thereof;

FIG. 4 is a left side view thereof;

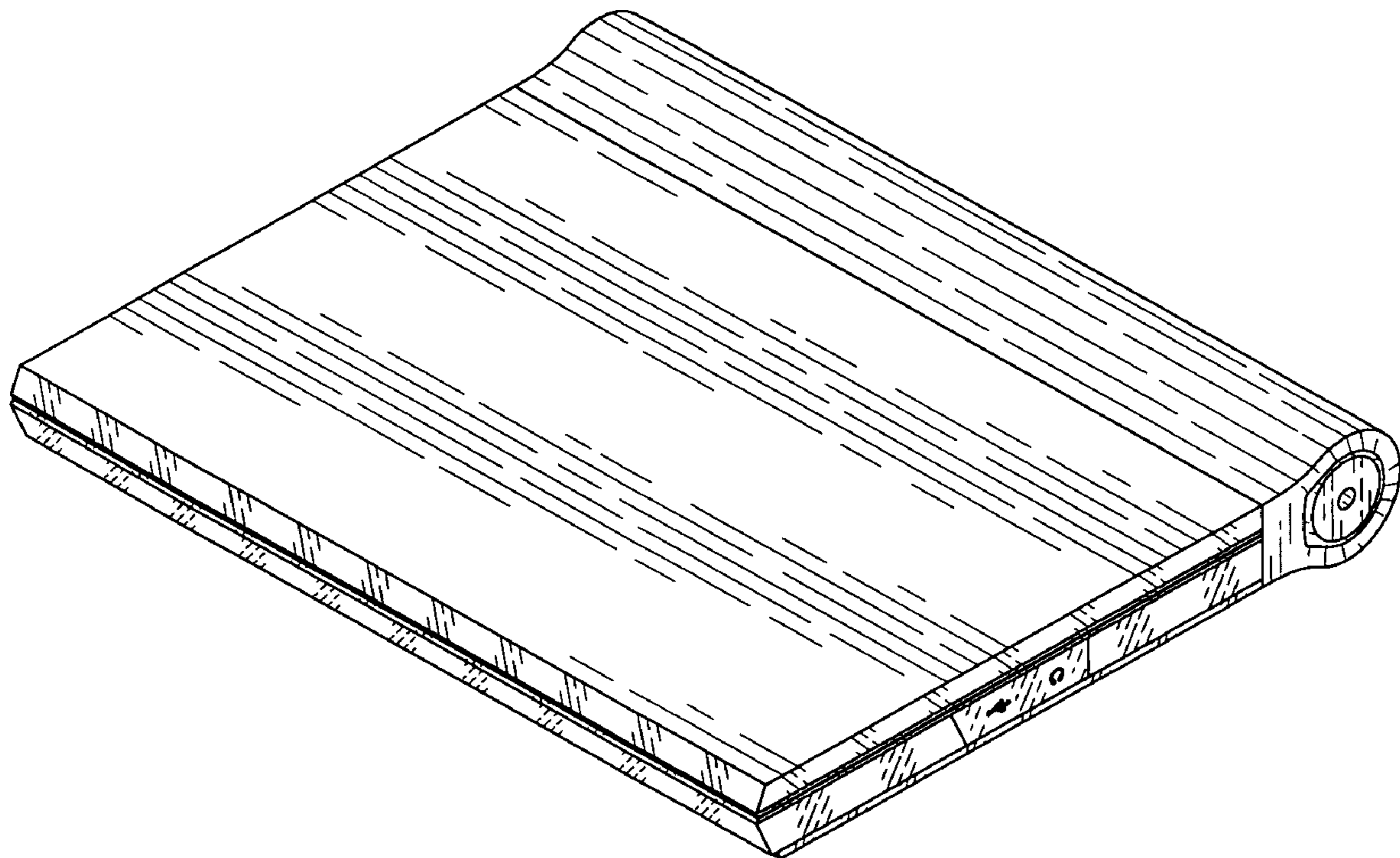
FIG. 5 is a right side view thereof;

FIG. 6 is a top view thereof; and

FIG. 7 is a bottom view thereof; and,

FIG. 8 is a front view showing a notebook of my design in use.

1 Claim, 5 Drawing Sheets



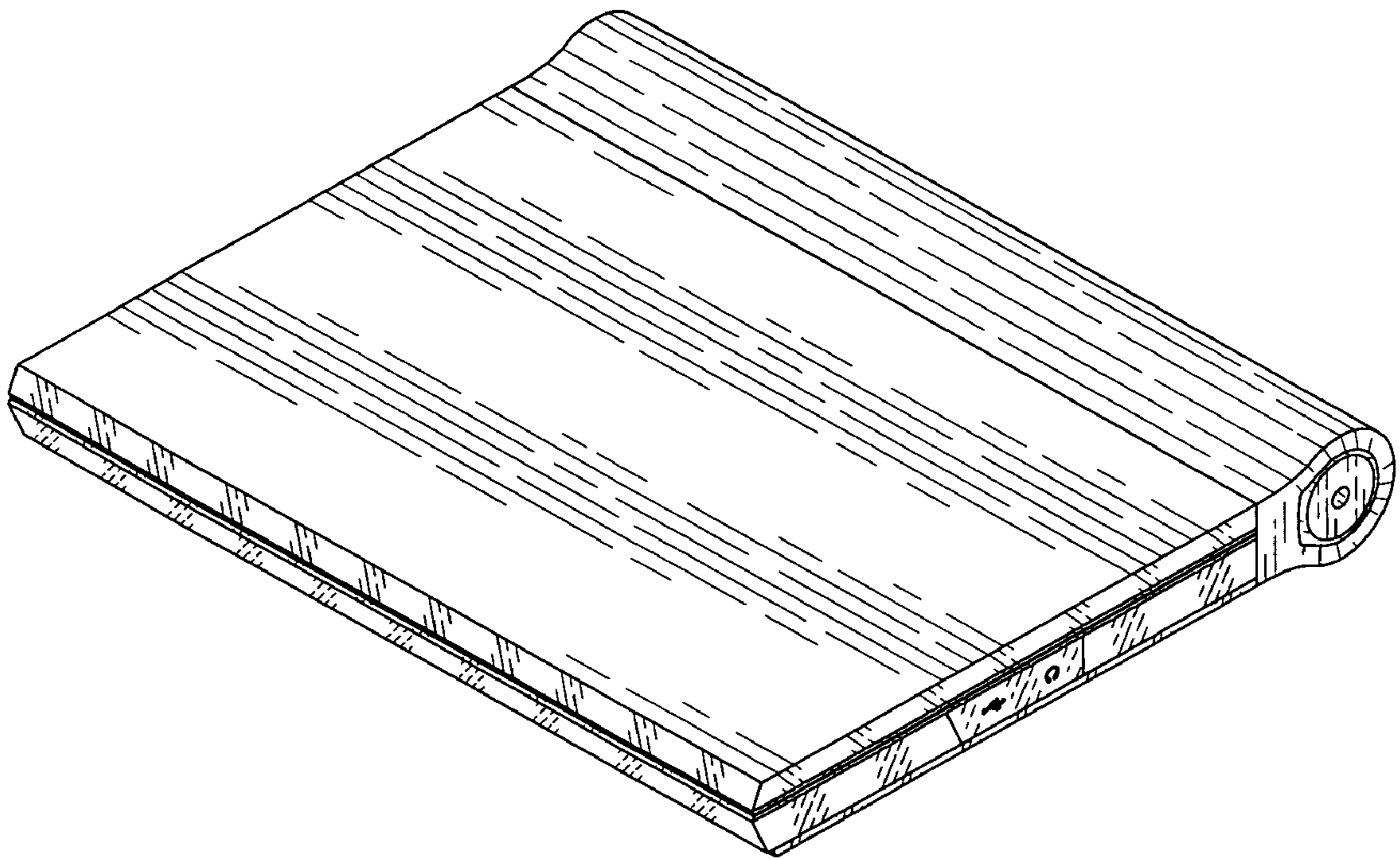


FIG. 1

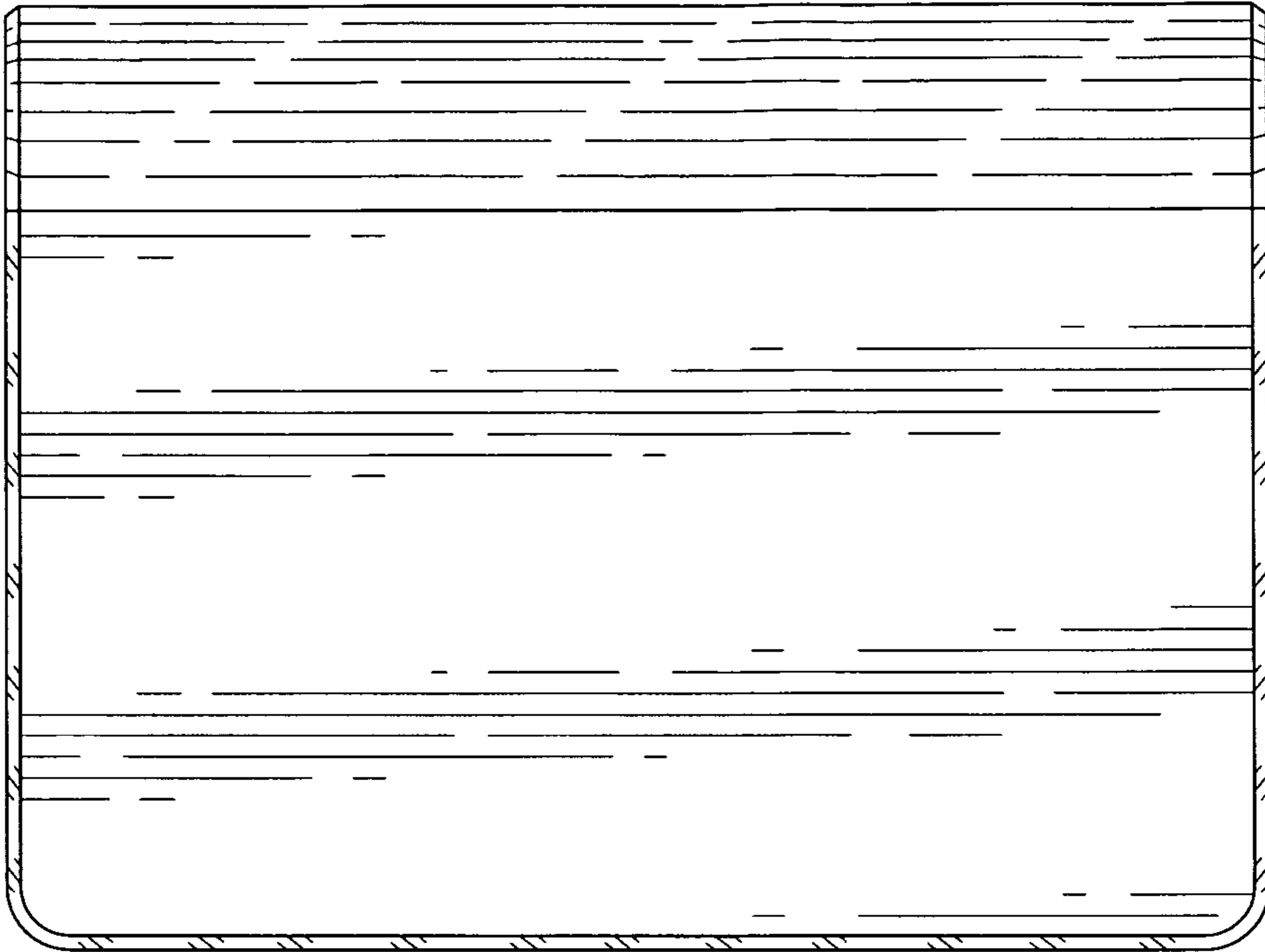


FIG. 2

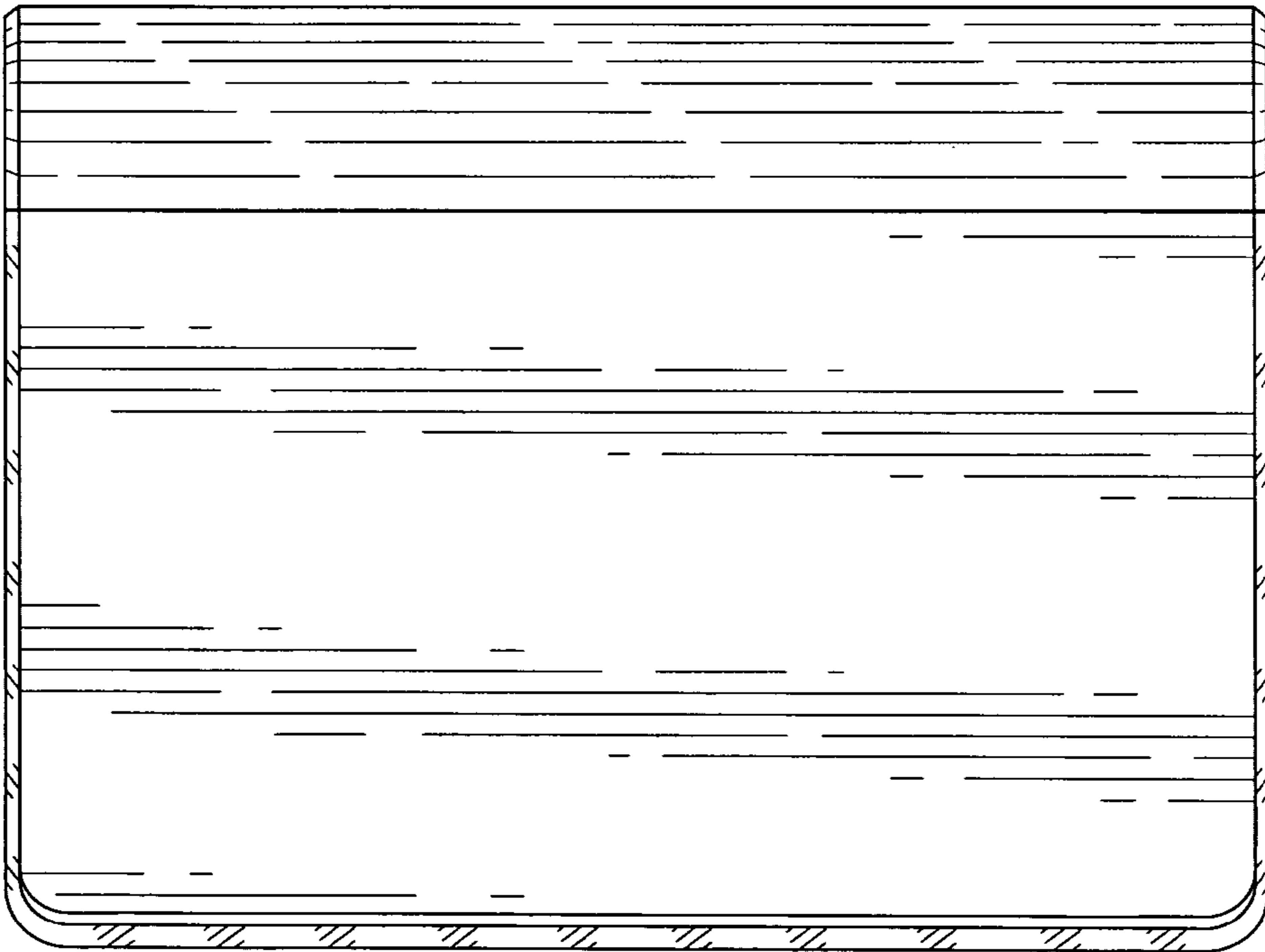


FIG. 3

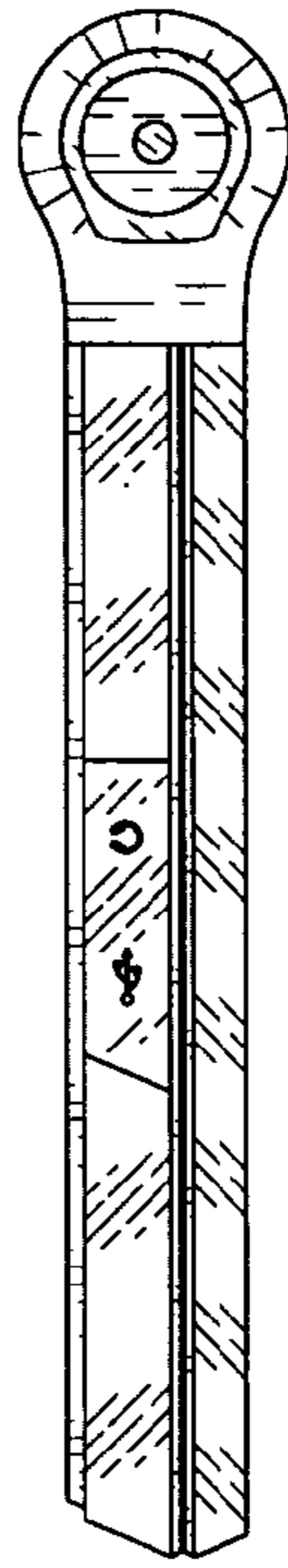


FIG. 4

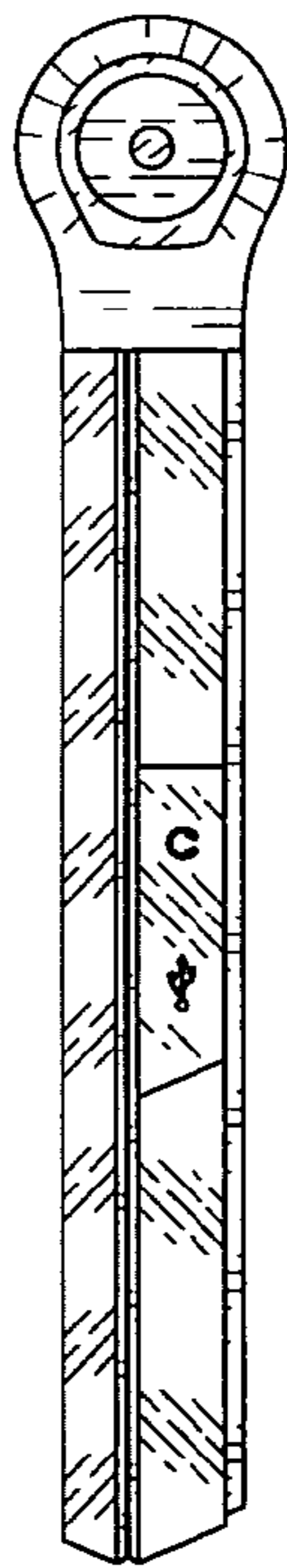


FIG. 5

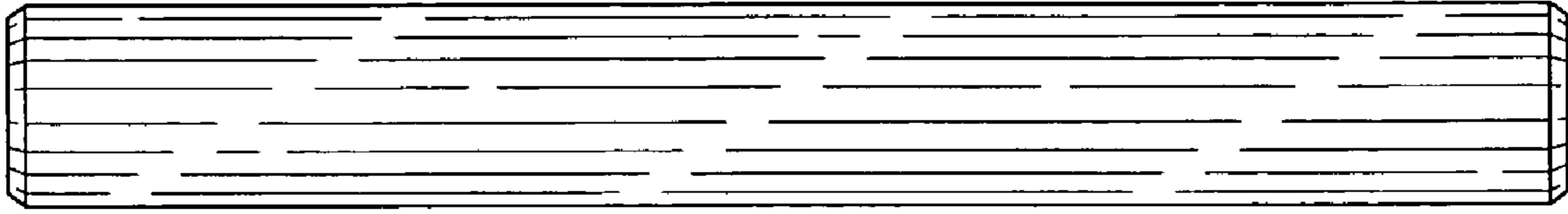


FIG. 6

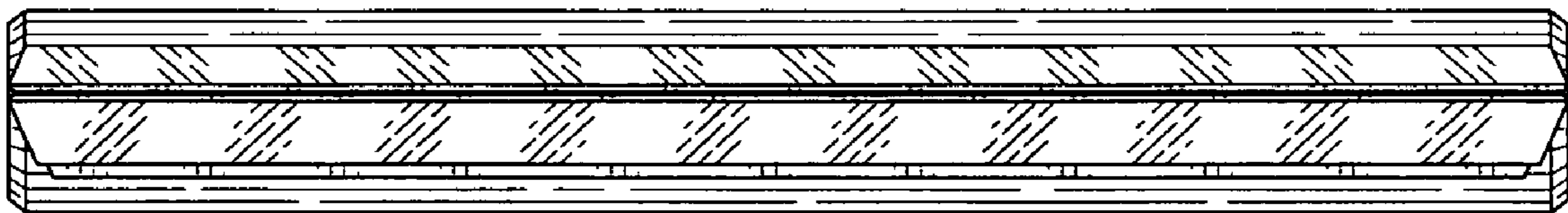


FIG. 7

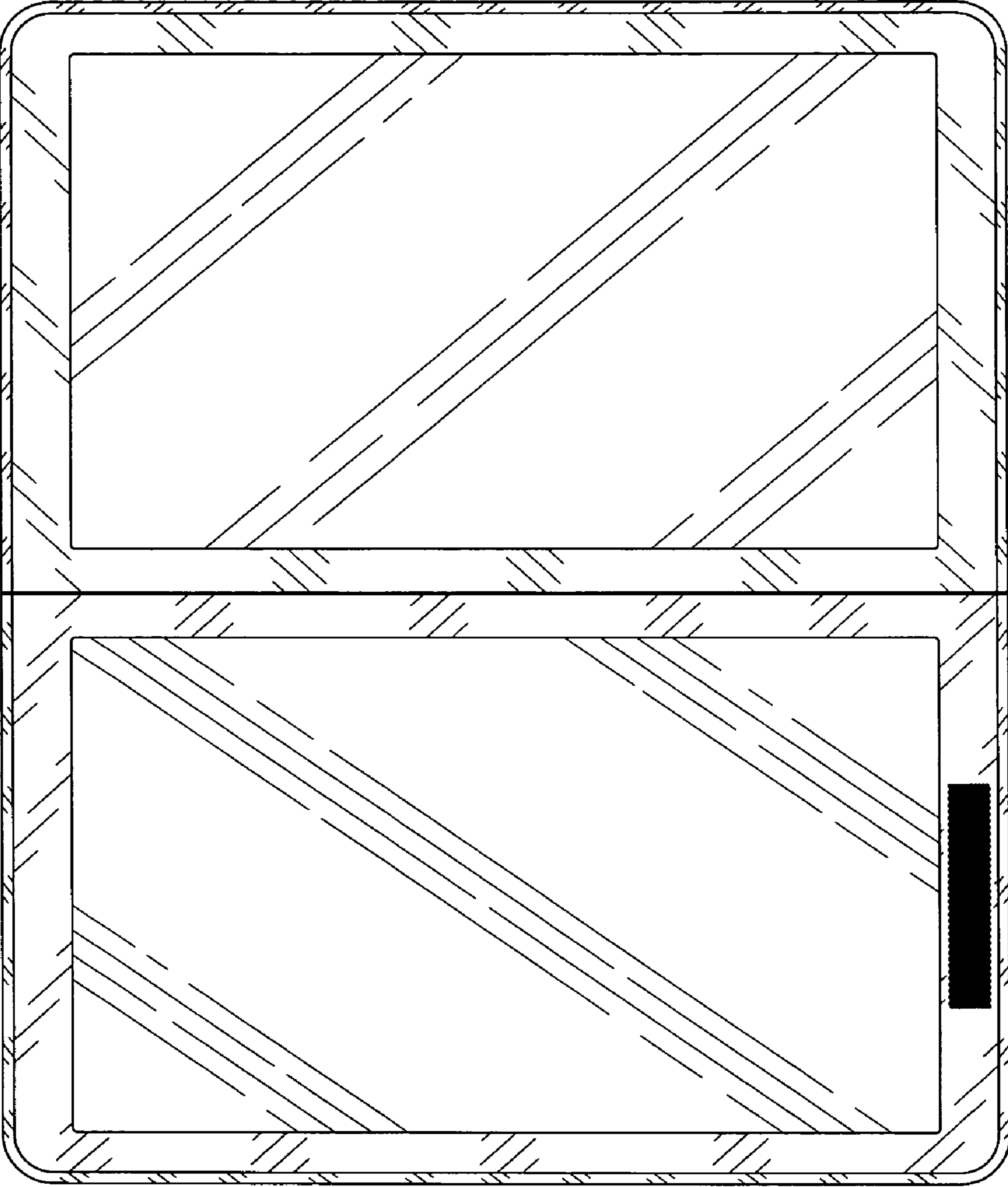


FIG. 8