



US00D615533S

(12) **United States Design Patent**
Emge et al.

(10) **Patent No.:** **US D615,533 S**
(45) **Date of Patent:** **** May 11, 2010**

(54) **MARINE FIST MICROPHONE**

D258,879 S * 4/1981 Eaton et al. D14/225
5,249,235 A * 9/1993 Davis et al. 381/91

(75) Inventors: **Mark B. Emge**, Lawrence, KS (US);
Gregory M. Groener, Prairie Village,
KS (US); **John J. Stutz**, Shawnee, KS
(US); **Englehard B. Sundoro**, Overland
Park, KS (US); **Raymond D. Swaney**,
Overland Park, KS (US)

(73) Assignee: **Garmin Ltd.** (KY)

(**) Term: **14 Years**

(21) Appl. No.: **29/341,202**

(22) Filed: **Jul. 31, 2009**

(51) **LOC (9) Cl.** **14-01**

(52) **U.S. Cl.** **D14/225**

(58) **Field of Classification Search** D14/225,
D14/226, 229; 381/122, 91, 355, 357, 358,
381/163, 191; D21/483; 446/410, 454
See application file for complete search history.

(56) **References Cited**

U.S. PATENT DOCUMENTS

D162,882 S * 4/1951 Rodgers-Bannister D14/225
3,020,346 A * 2/1962 Bonanno 446/454
D203,187 S * 12/1965 Deschamps D14/225
D206,329 S * 11/1966 Gulbrandsen D14/225
3,439,128 A * 4/1969 Witalij et al. 381/355
D234,957 S * 4/1975 Huntington et al. D14/225
4,009,355 A * 2/1977 Poradowski 381/358
D244,779 S * 6/1977 Kobayashi D14/225
D244,780 S * 6/1977 Kobayashi D14/225
D252,024 S * 6/1979 Fujita D14/225

OTHER PUBLICATIONS

ICOM IC-M504 brochure, published 2006.
Northstar NS100 VHF Radio, published prior to Jul. 31, 2009.
Raymarine VHF Radio Brochure, published 2007.

* cited by examiner

Primary Examiner—Paula Greene

(74) *Attorney, Agent, or Firm*—Samuel M. Korte

(57) **CLAIM**

The ornamental design for a marine fist microphone, as shown and described.

DESCRIPTION

FIG. 1 is a front perspective view of a marine fist microphone showing our new design;

FIG. 2 is a rear perspective view of the marine first microphone;

FIG. 3 is a top view of the marine fist microphone;

FIG. 4 is a front view of the marine fist microphone;

FIG. 5 is a rear view of the marine fist microphone;

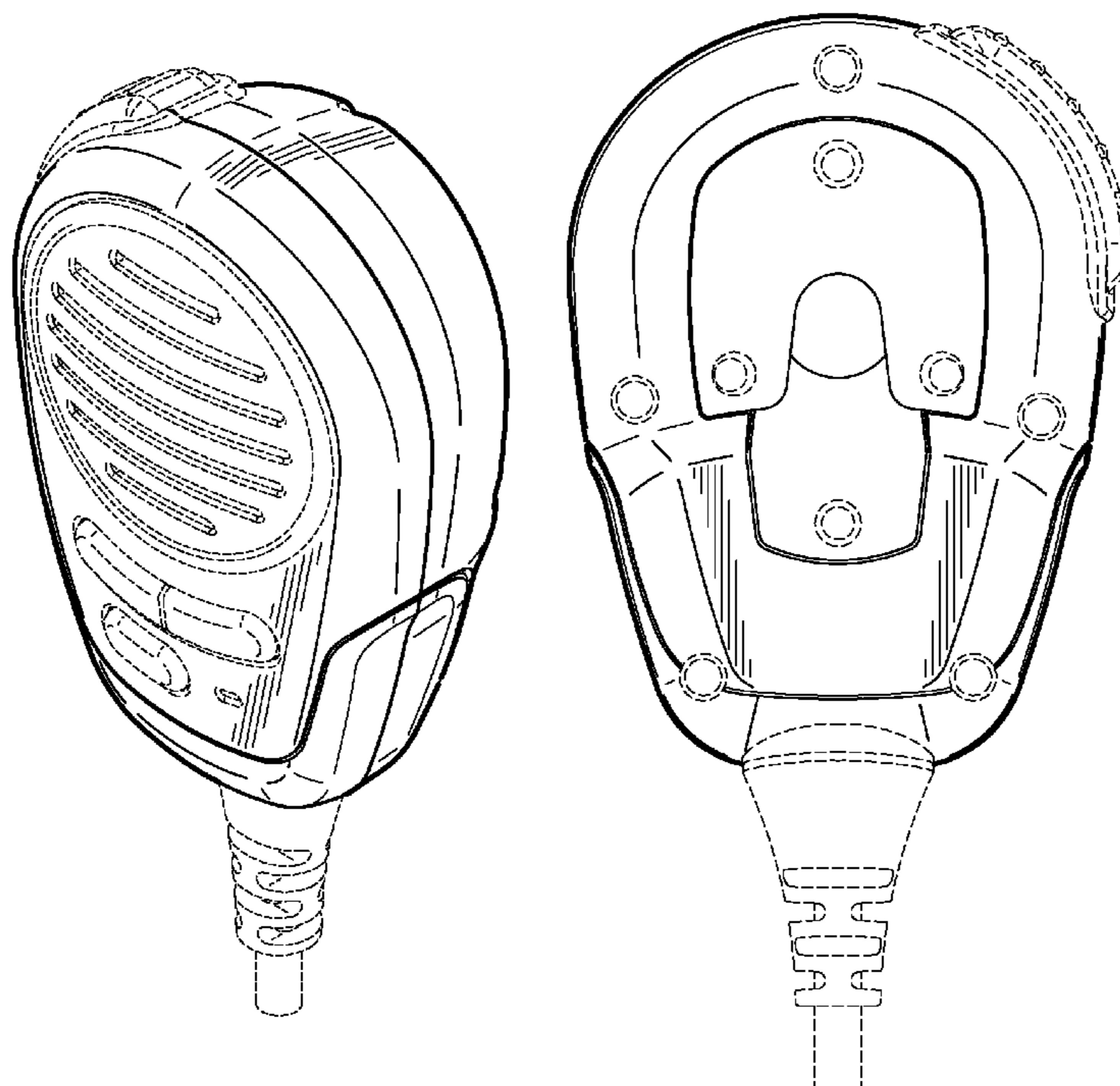
FIG. 6 is a bottom view of the marine fist microphone;

FIG. 7 is a left side view of the marine fist microphone; and,

FIG. 8 is a right side view of the marine fist microphone.

Portions of FIGS. 1 through 8 are shown in dashed lines for illustrative purposes only and form no part of the claimed design.

1 Claim, 4 Drawing Sheets



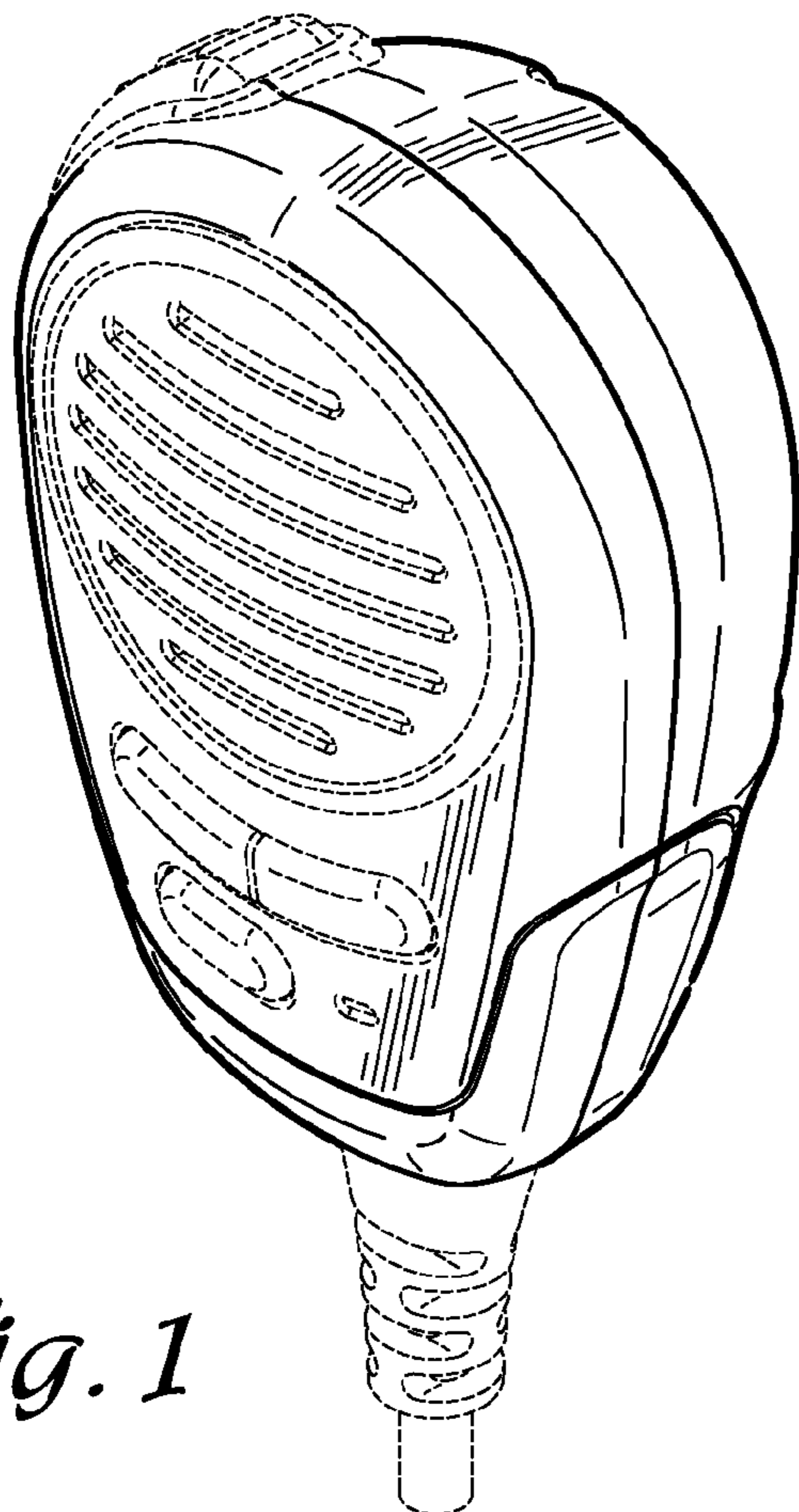


Fig. 1

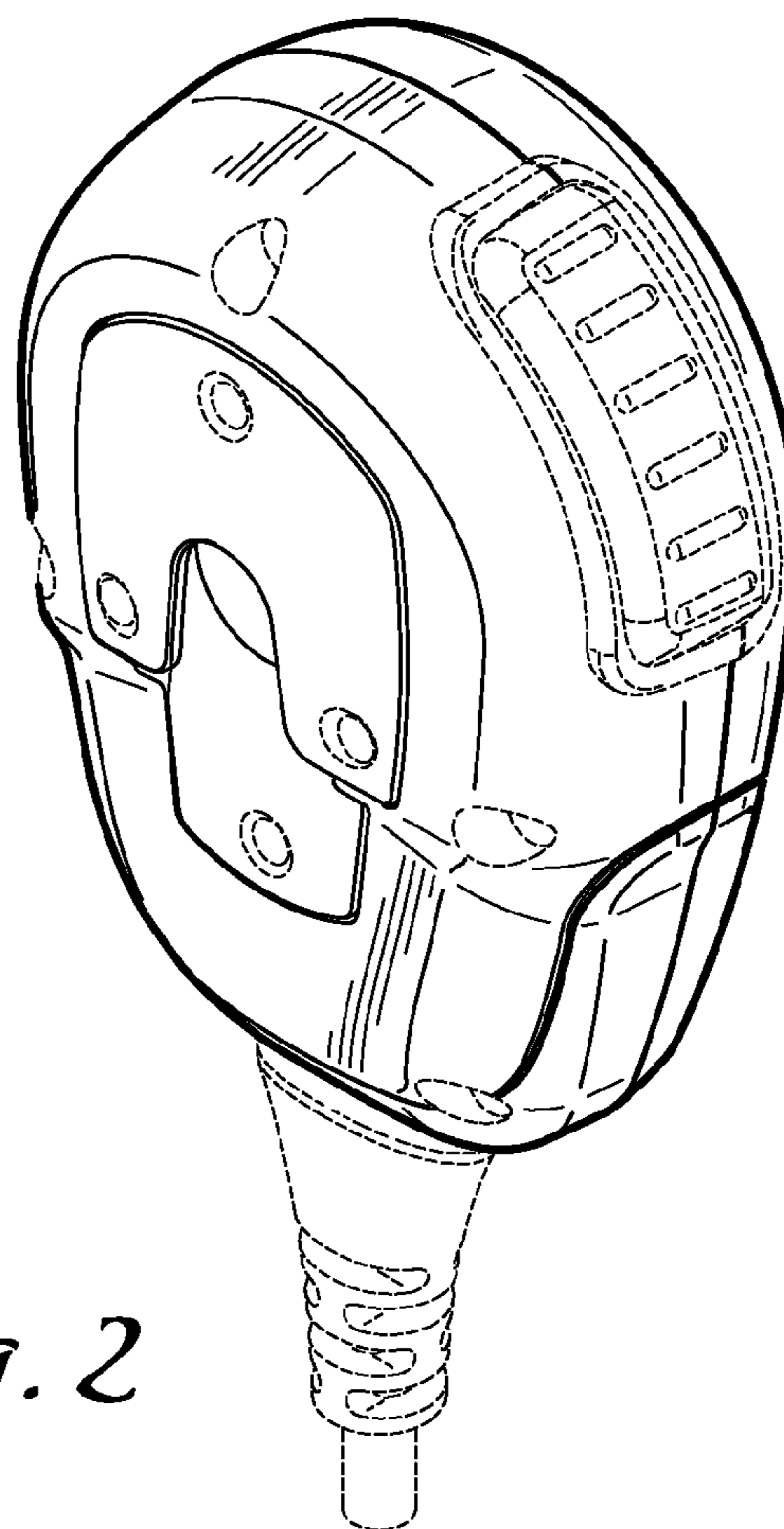


Fig. 2

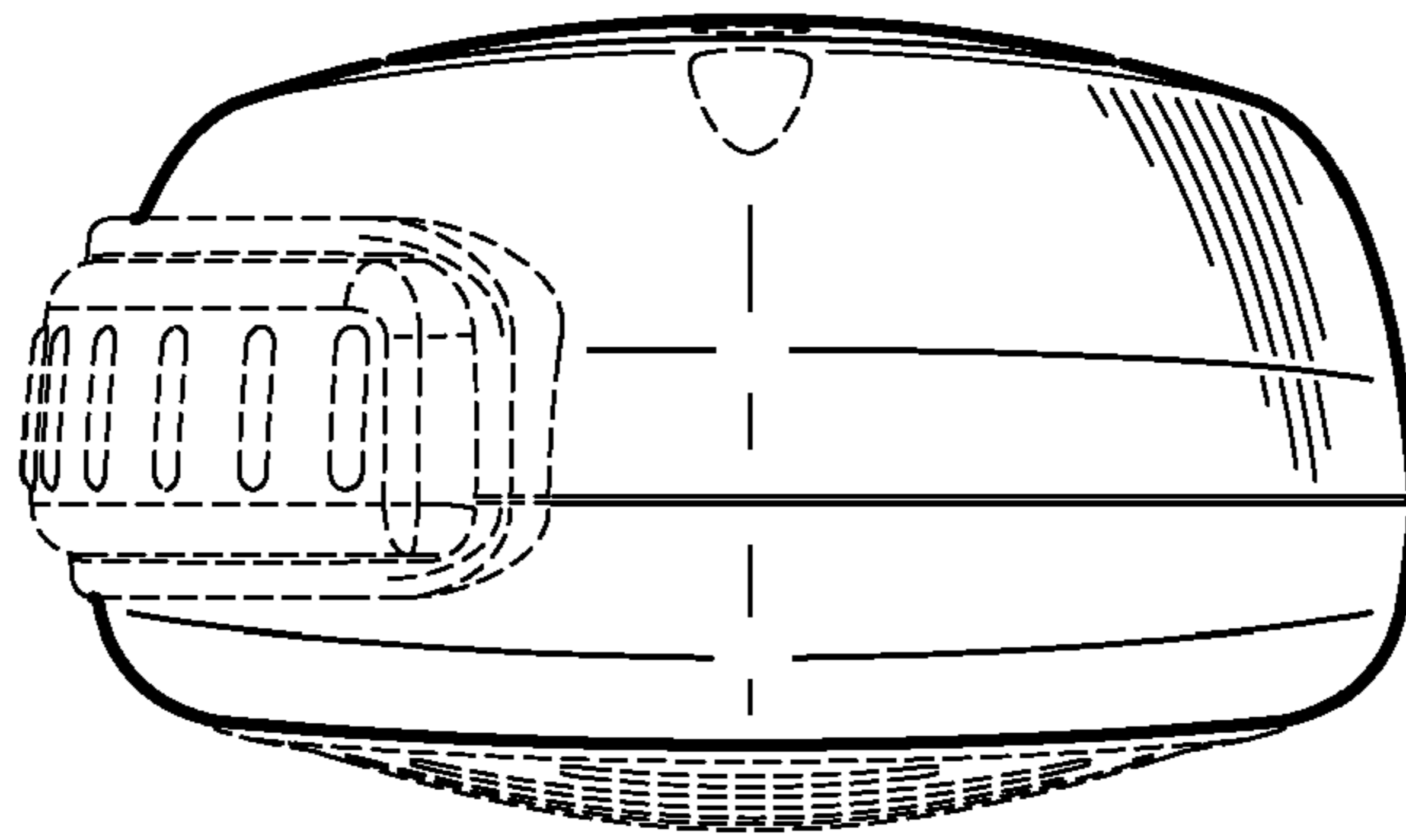


Fig. 3

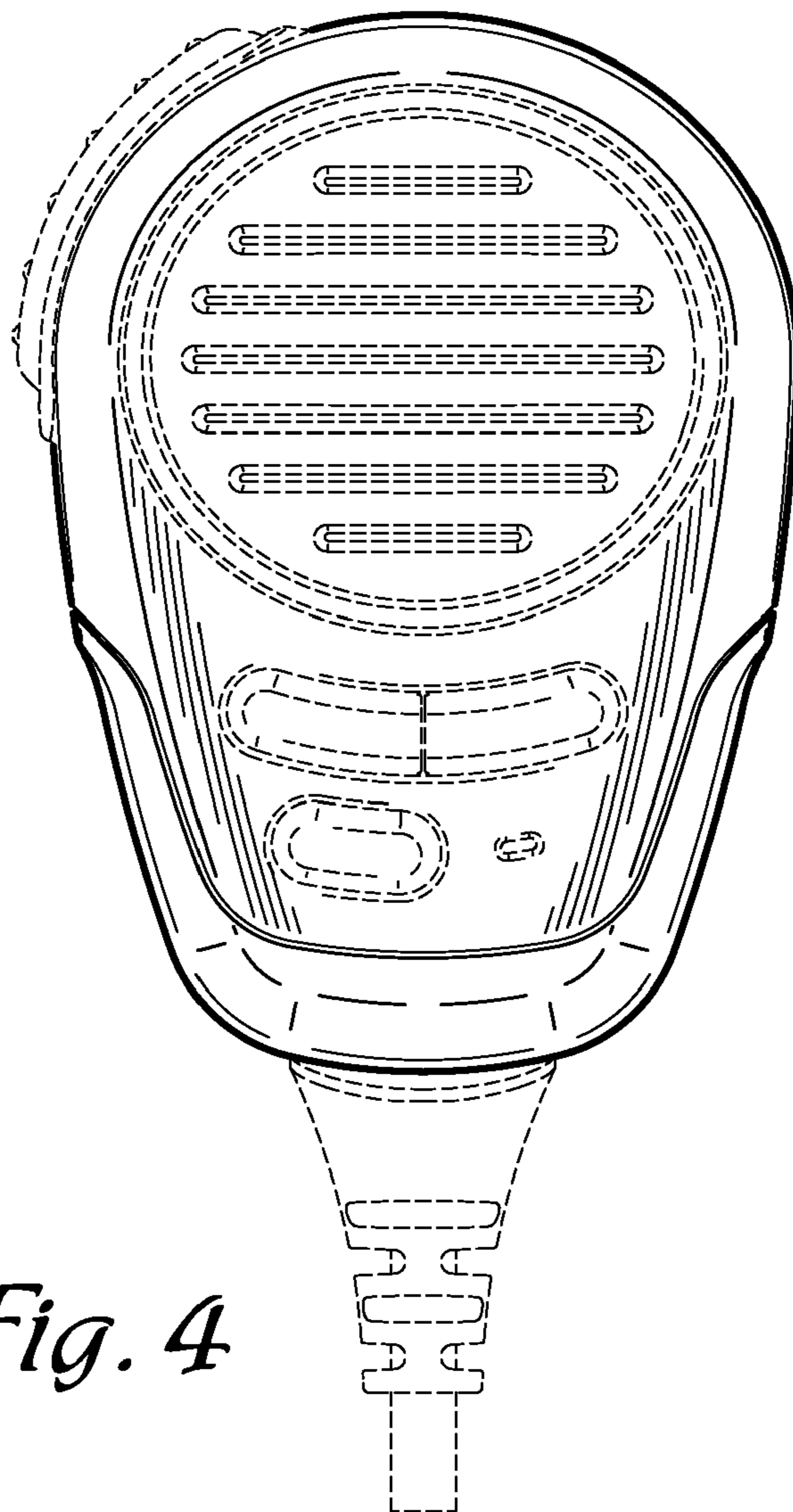


Fig. 4

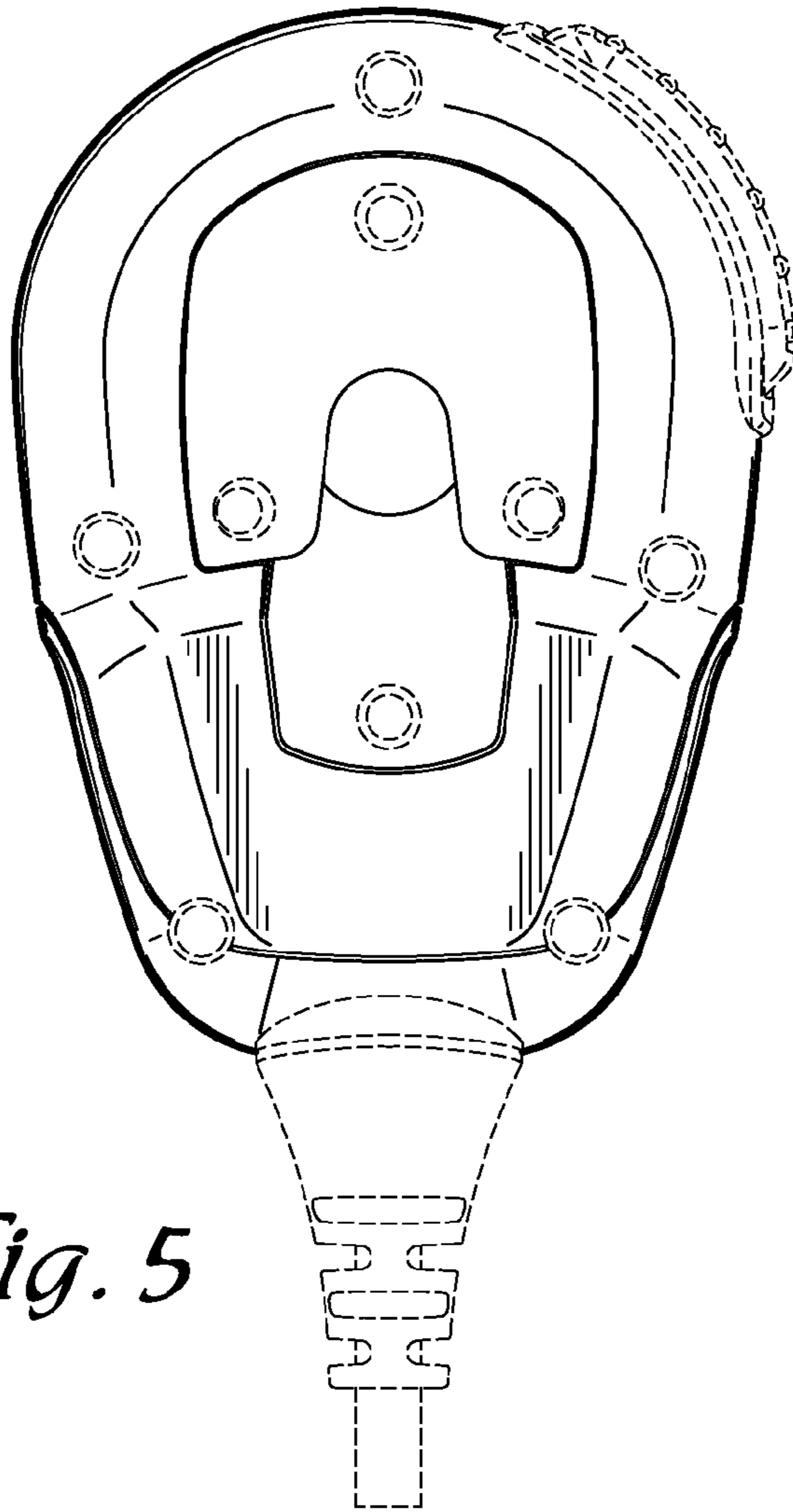


Fig. 5

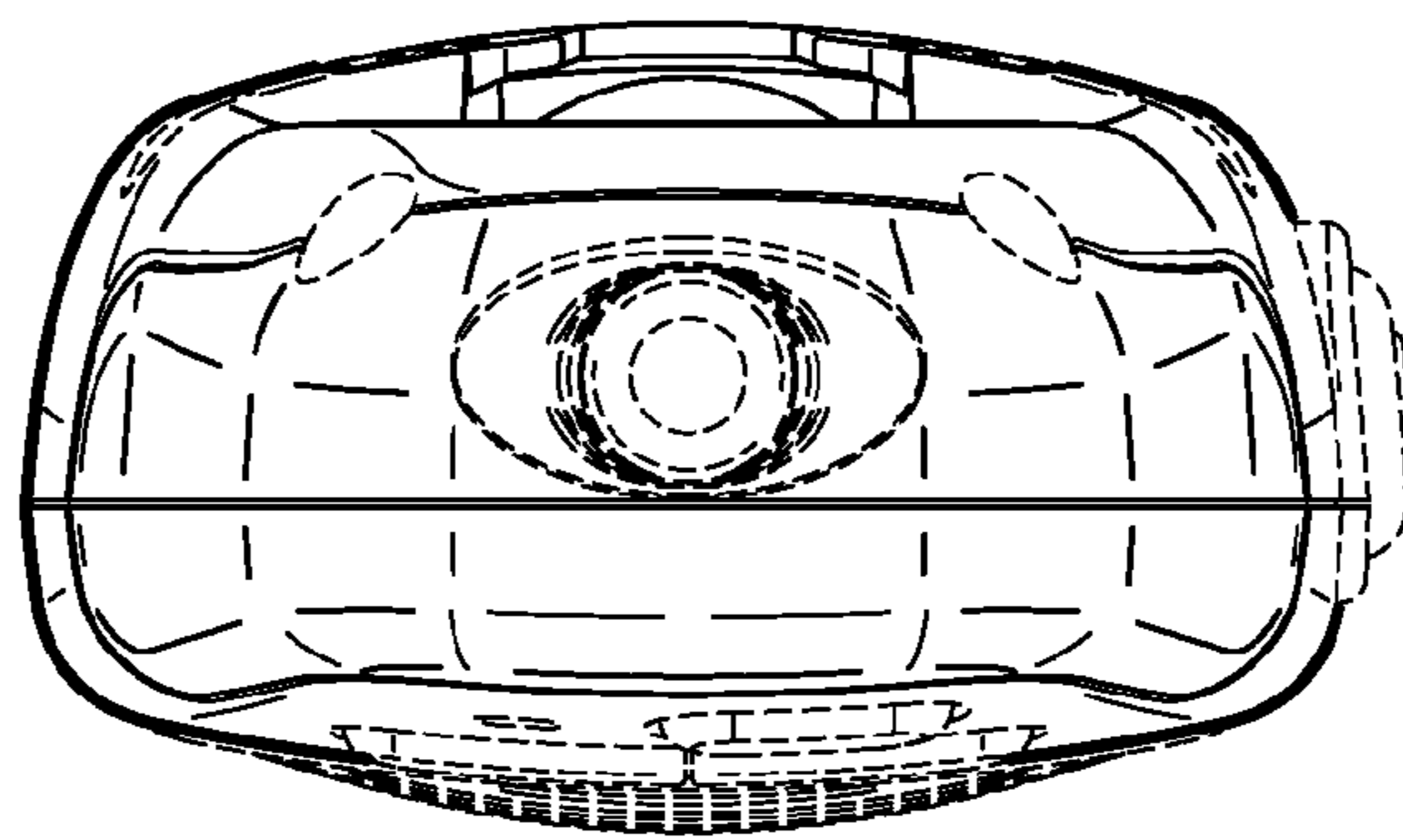


Fig. 6

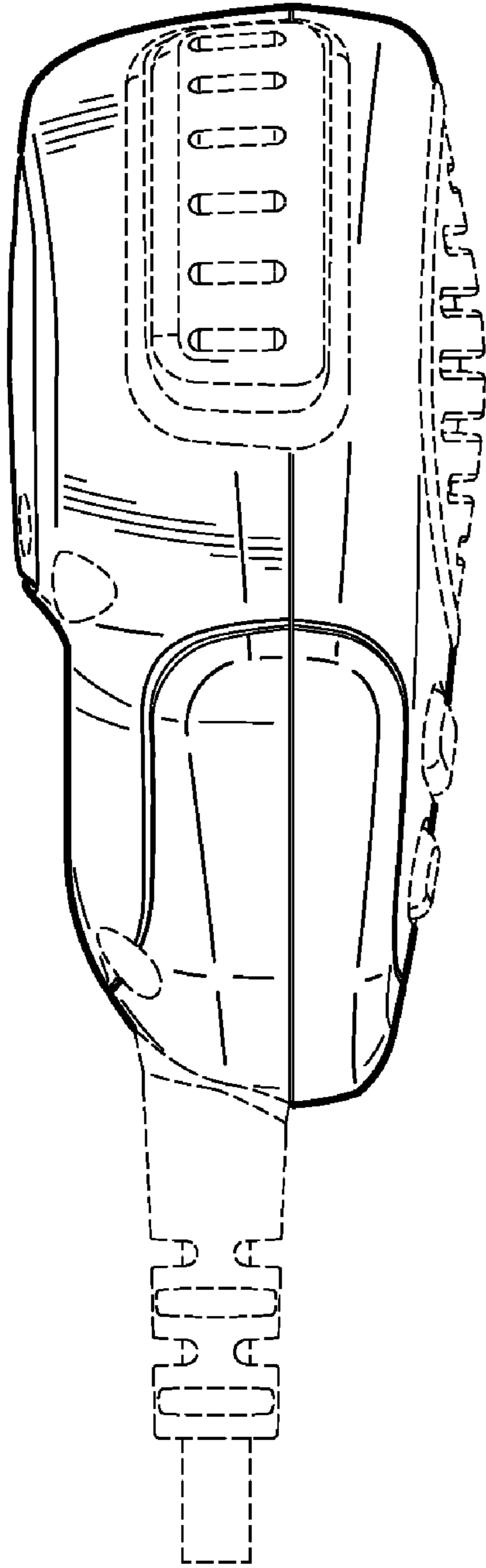


Fig. 7

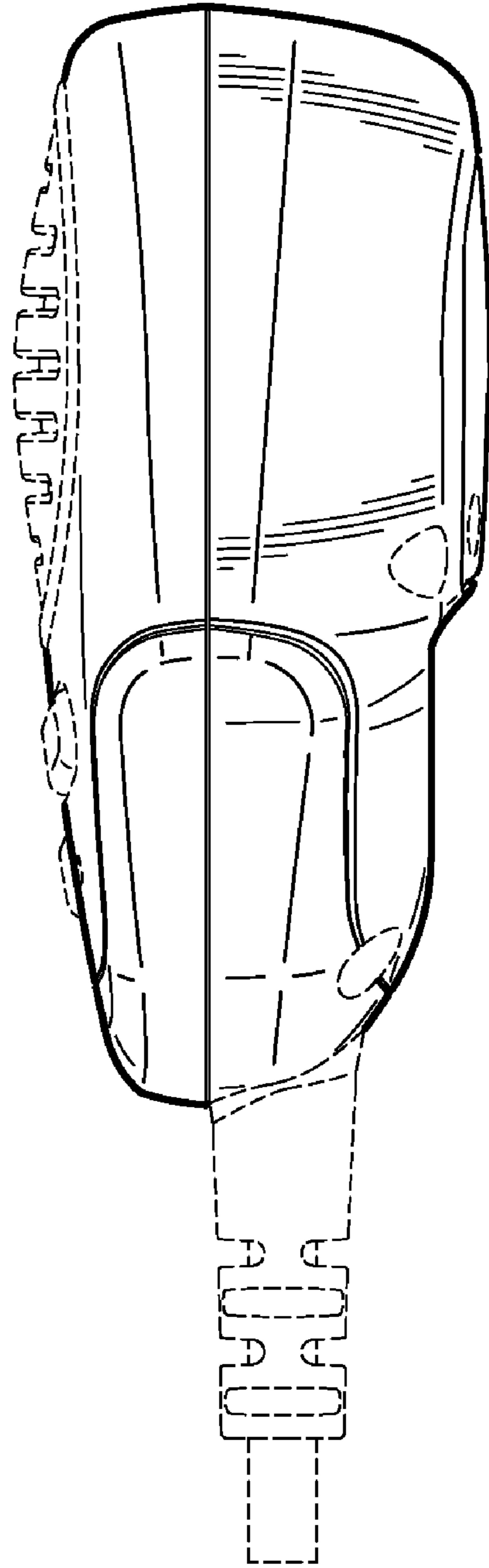


Fig. 8