



US00D615531S

(12) **United States Design Patent**  
**Shibukawa et al.**

(10) **Patent No.:** **US D615,531 S**

(45) **Date of Patent:** **\*\* May 11, 2010**

(54) **REMOTE CONTROLLER**

(75) Inventors: **Kentaro Shibukawa**, Tokyo (JP);  
**Shigeya Kuwao**, Tokyo (JP)

(73) Assignee: **Sony Corporation**, Tokyo (JP)

(\*\*) Term: **14 Years**

(21) Appl. No.: **29/347,252**

(22) Filed: **Nov. 13, 2009**

(30) **Foreign Application Priority Data**

Aug. 31, 2009 (JP) ..... D2009-019900  
Aug. 31, 2009 (JP) ..... D2009-019901  
Sep. 2, 2009 (CN) ..... 2009 3 0209821

(51) **LOC (9) Cl.** ..... **14-03**

(52) **U.S. Cl.** ..... **D14/218**

(58) **Field of Classification Search** ..... D14/218,  
D14/455; D13/168; D21/566; D10/104,  
D10/106; 345/169; 348/14.05, 114, 211.99,  
348/734; 340/825.24; 341/22; 455/92, 95,  
455/128, 151.1–151.4, 352, 355, FOR. 121;  
700/65

See application file for complete search history.

(56) **References Cited**

**U.S. PATENT DOCUMENTS**

D308,060 S \* 5/1990 Davidson ..... D14/218  
D339,589 S \* 9/1993 Moore et al. .... D14/218  
D352,939 S \* 11/1994 Karlin ..... D14/426  
D354,489 S \* 1/1995 Patton et al. .... D14/218  
D367,060 S \* 2/1996 Augaitis et al. .... D14/218  
D476,330 S \* 6/2003 Ahearn et al. .... D14/347  
D505,922 S \* 6/2005 Mayo et al. .... D13/168  
D544,467 S 6/2007 Tsuge  
D550,212 S 9/2007 Hakoda  
D550,213 S 9/2007 Hakoda  
D552,600 S 10/2007 Oota

D552,601 S 10/2007 Oota  
D554,079 S 10/2007 Obata  
D572,239 S \* 7/2008 Hoehn et al. .... D14/218  
D597,533 S 8/2009 Kumagai et al.  
D598,009 S \* 8/2009 Painter ..... D14/218

**FOREIGN PATENT DOCUMENTS**

JP D1103983 S 3/2001  
JP D1148220 S 7/2002  
JP D1182394 S 8/2003  
JP D1182395 S 8/2003  
JP D1205806 S 5/2004  
JP D1297917 S 4/2007  
JP D1365452 S 7/2009

\* cited by examiner

*Primary Examiner*—T. Chase Nelson  
*Assistant Examiner*—John Windmuller

(74) *Attorney, Agent, or Firm*—Rader, Fishman & Grauer,  
PLLC

(57) **CLAIM**

The ornamental design for a remote controller, as shown and described.

**DESCRIPTION**

FIG. 1 is a perspective view of a remote controller showing our new design;

FIG. 2 is a front elevational view thereof;

FIG. 3 is a rear elevational view thereof;

FIG. 4 is a left side elevational view thereof;

FIG. 5 is a right side elevational view thereof;

FIG. 6 is a top plan view thereof; and,

FIG. 7 is a bottom plan view thereof.

The broken lines in the figures depict portions of the remote controller that form no part of the claimed design.

**1 Claim, 4 Drawing Sheets**

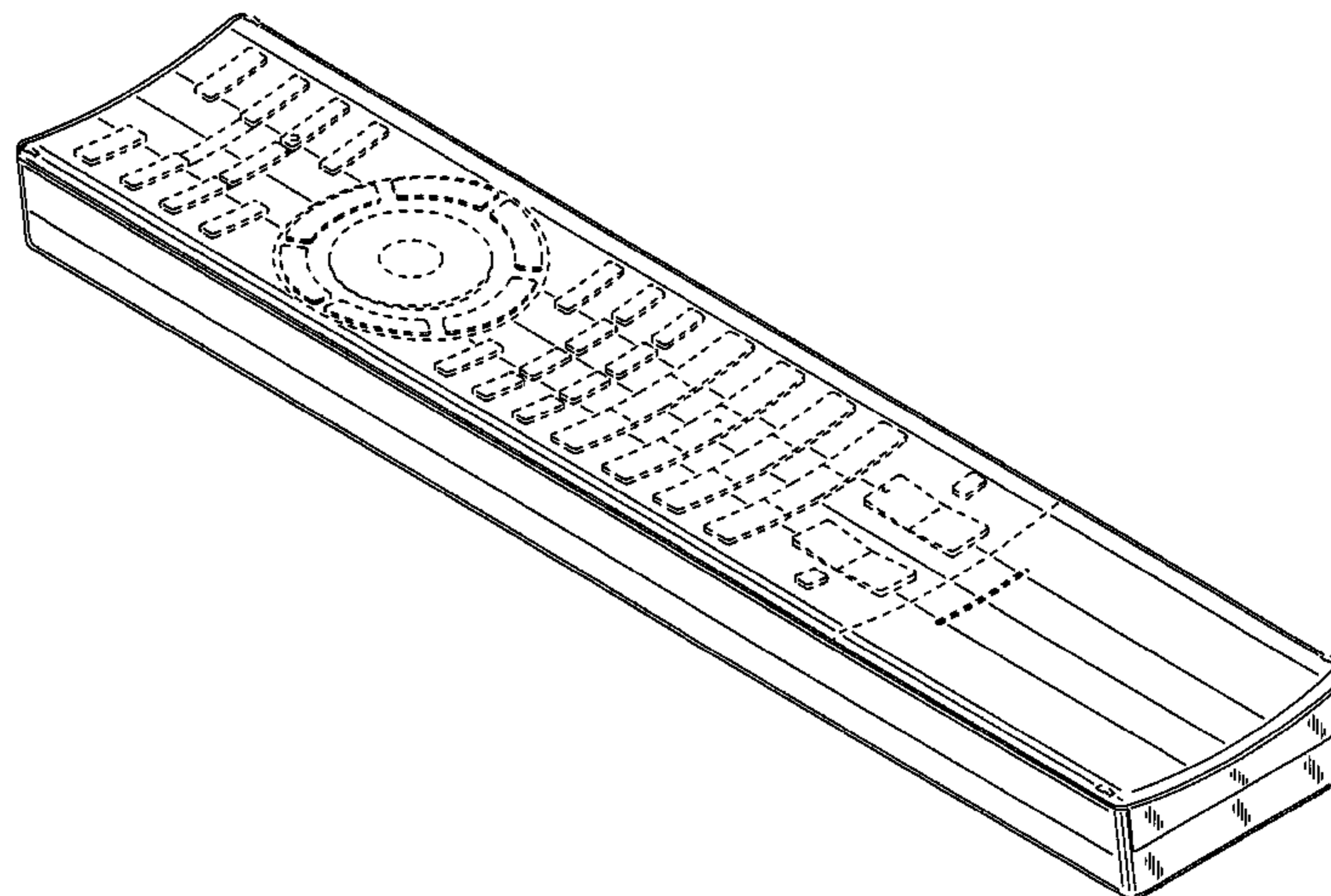


FIG.1

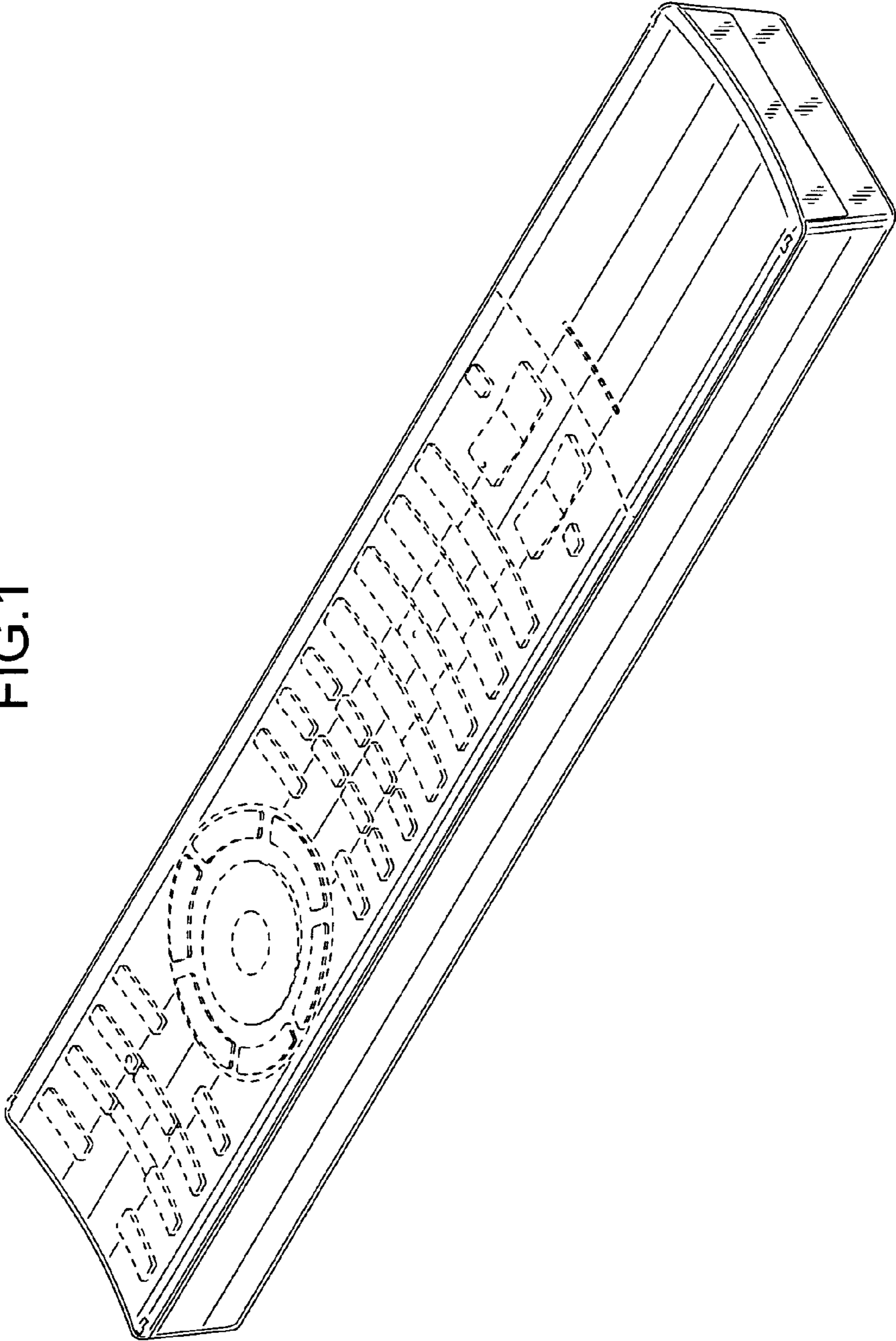


FIG.2

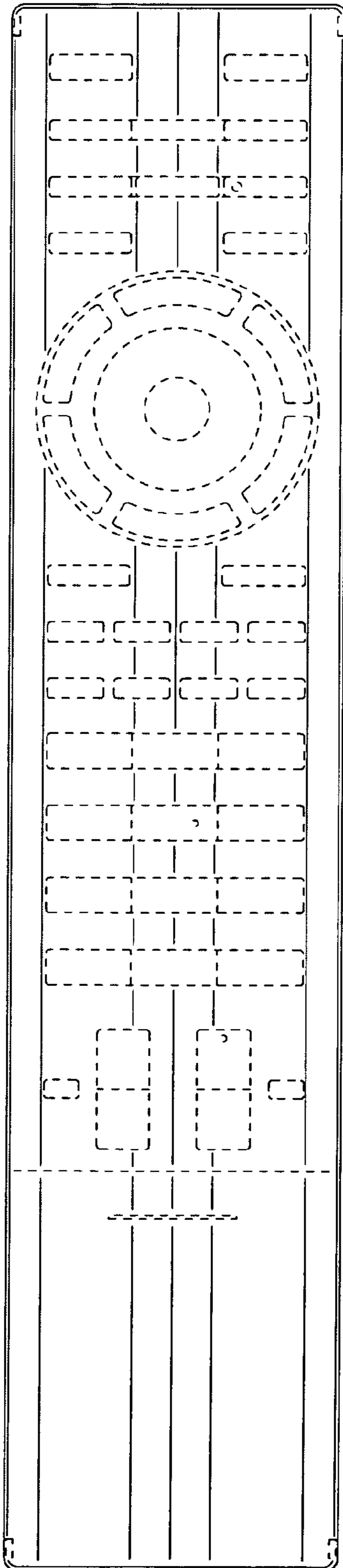


FIG.3

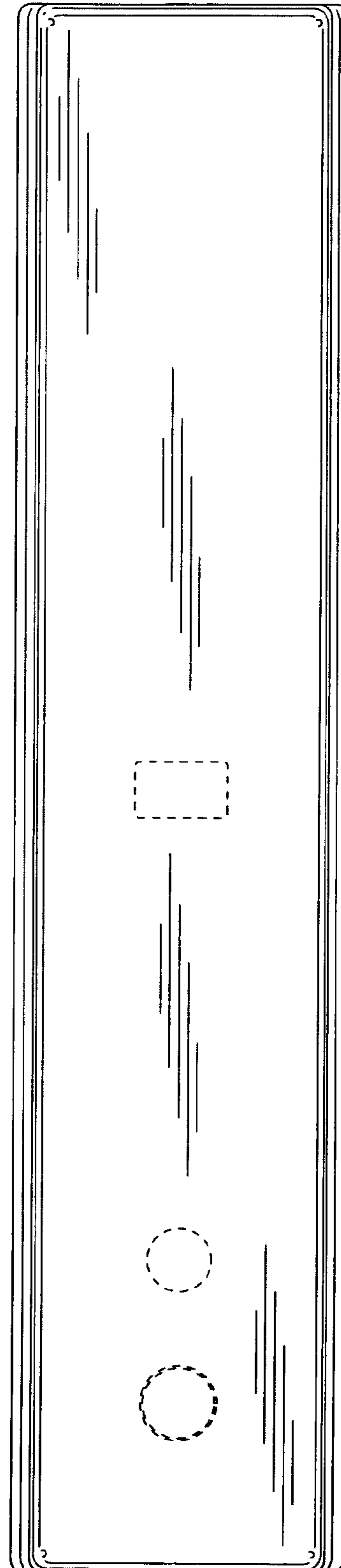


FIG.4

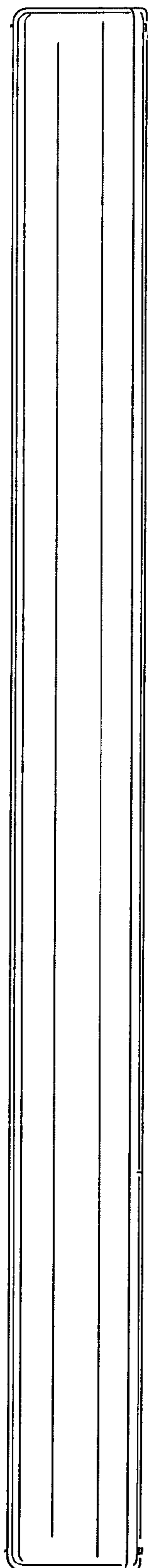


FIG.5

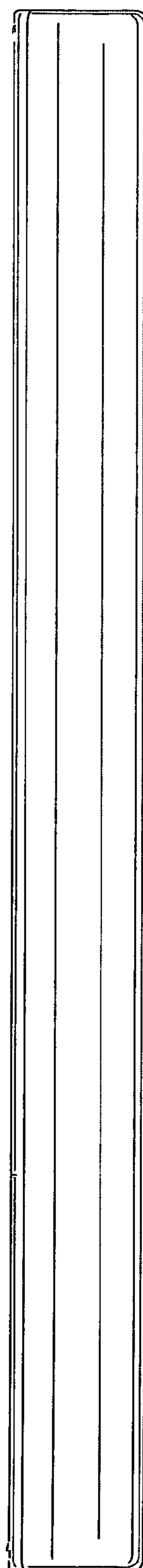


FIG.6



FIG.7

