



US00D615527S

(12) **United States Design Patent**  
**Hwang**

(10) **Patent No.:** **US D615,527 S**  
(45) **Date of Patent:** **\*\* May 11, 2010**

(54) **MULTI-MEDIA DEVICE**  
(75) Inventor: **Steve Hwang**, San Francisco, CA (US)  
(73) Assignee: **OpenPeak Inc.**, Boca Raton, FL (US)  
(\*\*) Term: **14 Years**  
(21) Appl. No.: **29/338,157**  
(22) Filed: **Jun. 5, 2009**  
(51) **LOC (9) Cl.** ..... **14-03**  
(52) **U.S. Cl.** ..... **D14/203.8**; D14/496; D14/203.7  
(58) **Field of Classification Search** ..... D14/496,  
D14/401, 435, 474, 483, 217, 137, 138, 160,  
D14/168, 356, 203.1–203.8, 507; 345/156,  
345/169, 173–179, 905; 715/727–729, 864;  
710/1, 5, 8; 713/1, 600; 455/1.1, 1.7, 73,  
455/344–347, 93, 95, 3.01–3.06, 550.1, 573.1;  
370/342–344; 369/1, 2, 6–12; 463/43–47;  
273/148 B  
See application file for complete search history.

(56) **References Cited**  
U.S. PATENT DOCUMENTS  
D237,286 S \* 10/1975 Miller ..... D21/325  
D270,366 S \* 8/1983 Barnes ..... D22/148  
5,736,975 A \* 4/1998 Lunetta ..... 345/156  
5,766,077 A \* 6/1998 Hongo ..... 463/30  
D397,370 S \* 8/1998 Chen ..... D21/324

5,890,906 A \* 4/1999 Macri et al. .... 434/247  
D421,631 S \* 3/2000 Tsuda ..... D21/329  
D425,885 S \* 5/2000 Amron ..... D14/203.7  
D444,819 S \* 7/2001 Kurz et al. .... D21/329  
D525,313 S \* 7/2006 Dattl et al. .... D21/325

\* cited by examiner  
*Primary Examiner*—Prabhakar Deshmukh  
(74) *Attorney, Agent, or Firm*—Sterne Kessler Goldstein & Fox PLLC

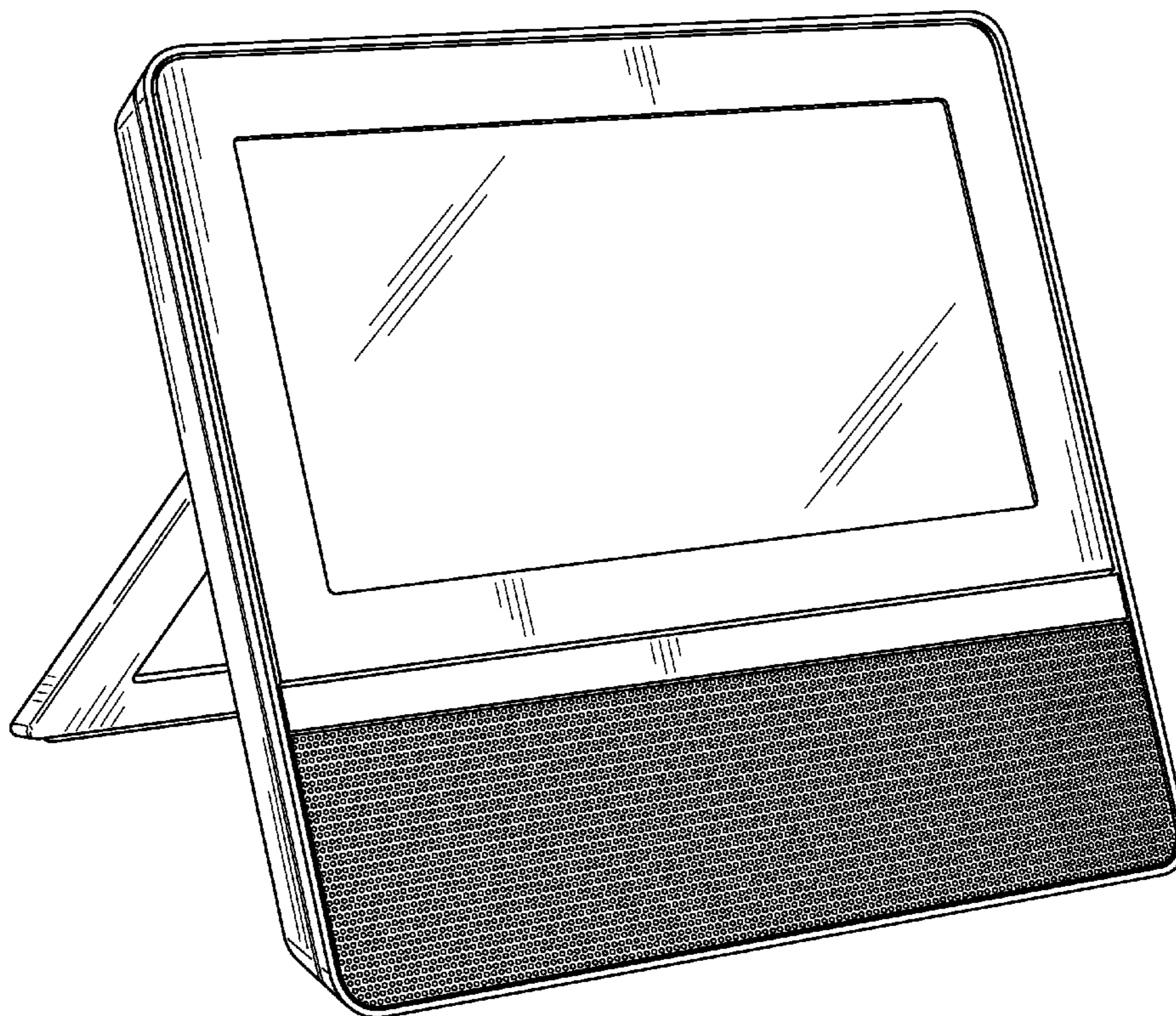
(57) **CLAIM**

The ornamental design for a multi-media device, as shown and described.

**DESCRIPTION**

FIG. 1 is a front perspective view of a multi-media device showing my new design;  
FIG. 2 is a front view thereof;  
FIG. 3 is a rear view thereof;  
FIG. 4 is a right side view thereof;  
FIG. 5 is a left side view thereof;  
FIG. 6 is a top plan view thereof; and,  
FIG. 7 is a bottom plan view thereof.  
The broken lines in the Figures show environment and form no part of the claimed design.

**1 Claim, 5 Drawing Sheets**



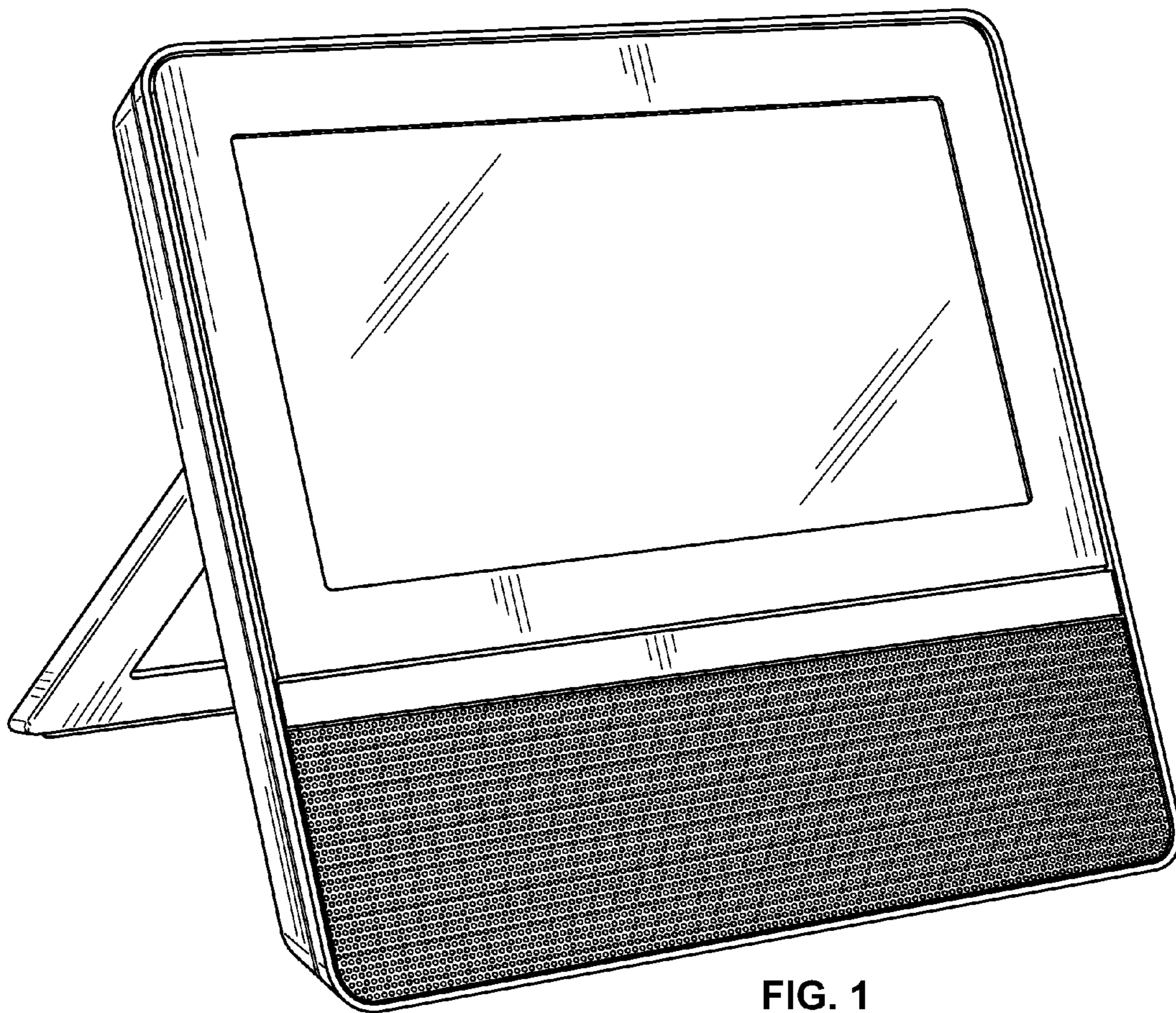


FIG. 1



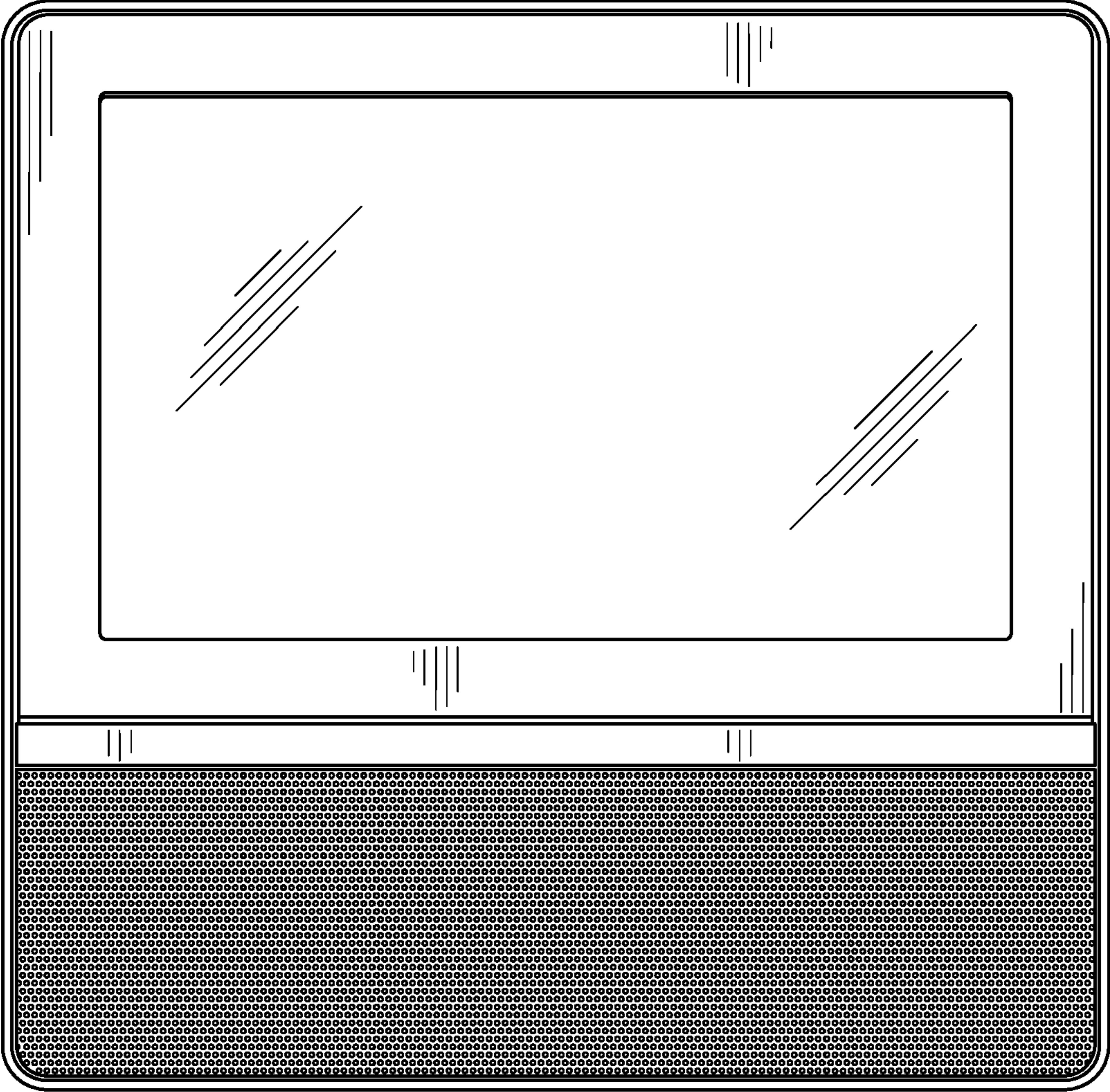


FIG. 2

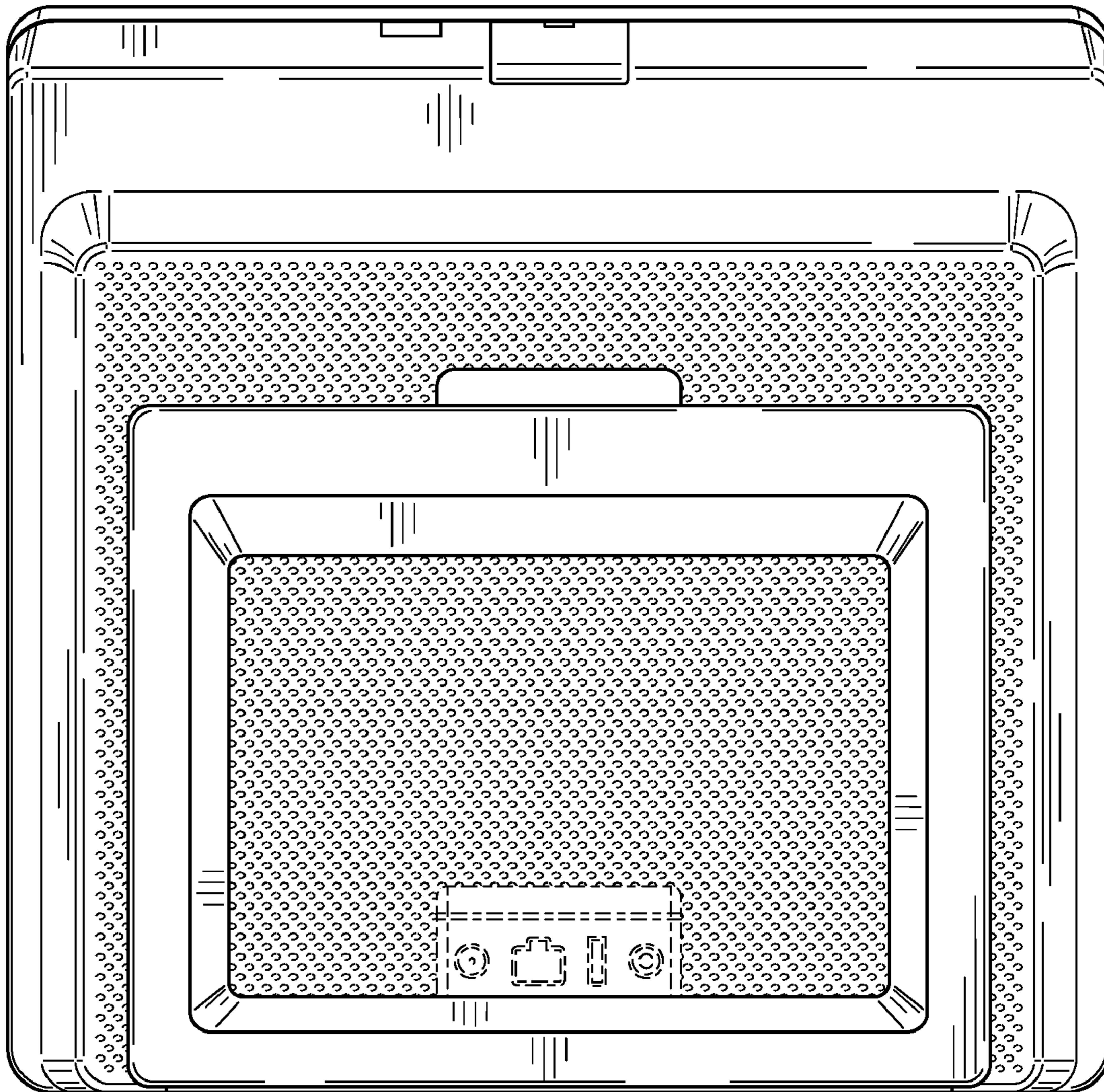


FIG. 3

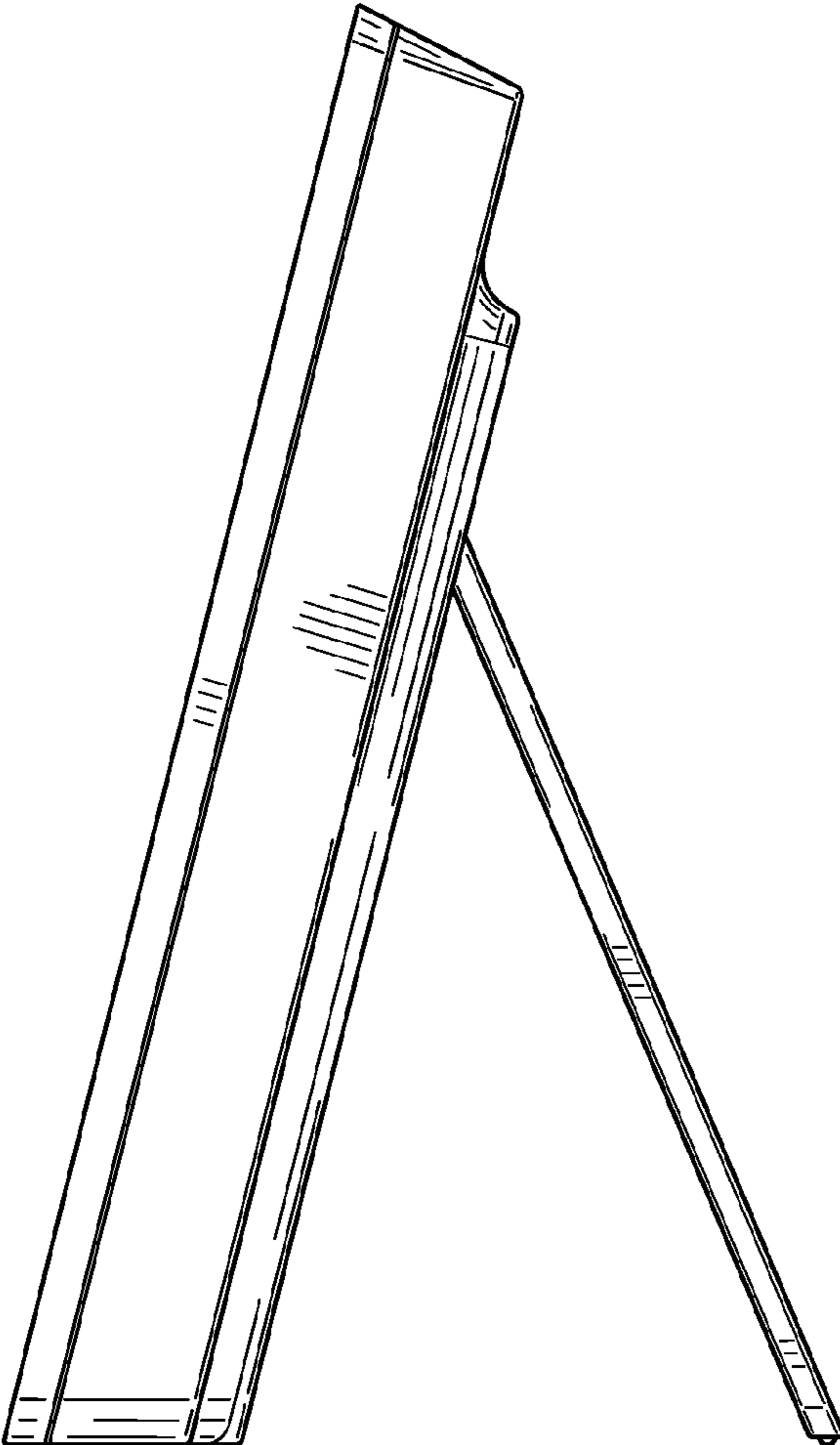


FIG. 4

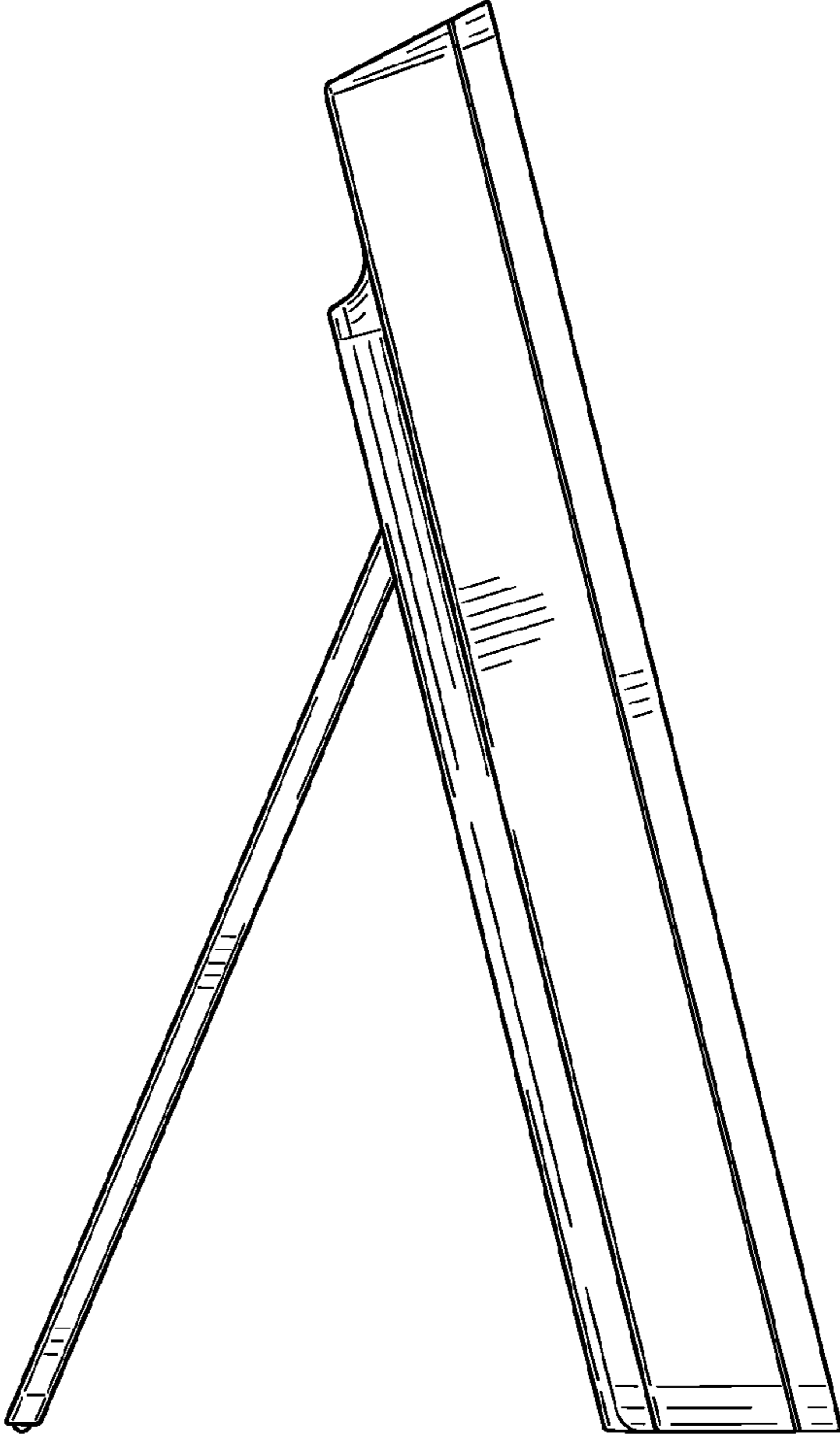


FIG. 5

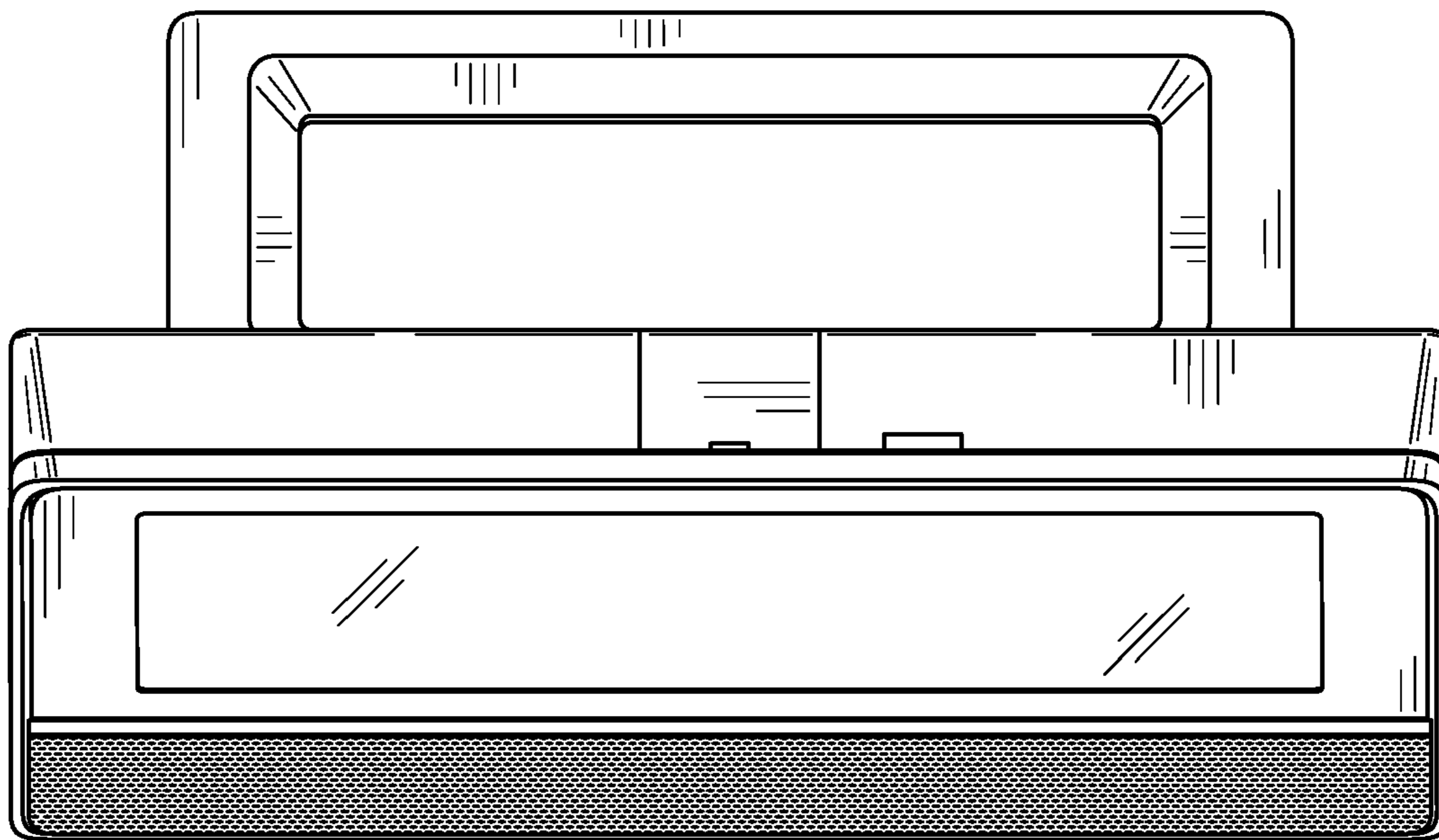


FIG. 6

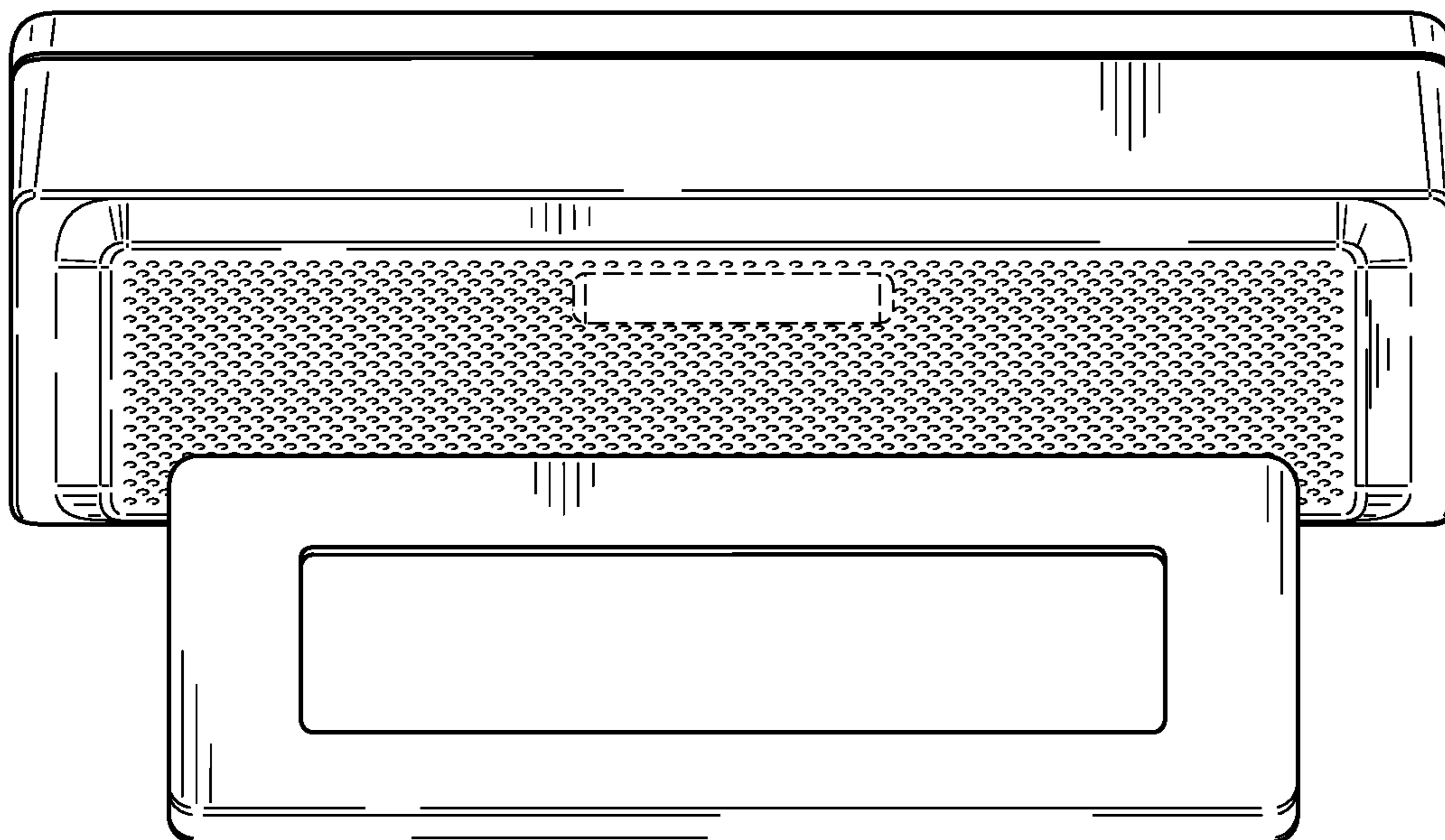


FIG. 7