



US00D615525S

(12) **United States Design Patent**
Emge et al.

(10) **Patent No.:** **US D615,525 S**
(45) **Date of Patent:** **** May 11, 2010**

(54) **MARINE RADIO**

D601,999 S * 10/2009 Onoue D14/188

(75) Inventors: **Mark B. Emge**, Lawrence, KS (US);
Gregory M. Groener, Prairie Village,
KS (US); **John J. Stutz**, Shawnee, KS
(US); **Englehard B. Sundoro**, Overland
Park, KS (US); **Raymond D. Swaney**,
Overland Park, KS (US)

OTHER PUBLICATIONS
Garmin GPSmap 4008, published Apr. 2008.
ICOM IC-M504 brochure, published 2006.
Northstar NS100 VHF Radio, published prior to Jul. 31, 2009.
Raymarine VHF Radio Brochure, published 2007.

* cited by examiner

(73) Assignee: **Garmin Ltd.** (KY)

Primary Examiner—Stella M Reid

Assistant Examiner—Keli L Hill

(74) *Attorney, Agent, or Firm*—Samuel M. Korte

(**) Term: **14 Years**

(57) **CLAIM**

(21) Appl. No.: **29/341,197**

The ornamental design for a marine radio, as shown and described.

(22) Filed: **Jul. 31, 2009**

(51) **LOC (9) Cl.** **09-01**

(52) **U.S. Cl.** **D14/188; D14/137; D14/198**

(58) **Field of Classification Search** D9/137,
D9/155, 160–171, 188, 192–198, 203.1–203.8,
D9/204, 217, 257, 258, 265, 796; 455/344–351;
369/6–12

See application file for complete search history.

DESCRIPTION

FIG. 1 is a front perspective view of a marine radio, embodying our new design;

FIG. 2 is a rear perspective view of the marine radio;

FIG. 3 is a top view of the marine radio;

FIG. 4 is a front view of the marine radio;

FIG. 5 is a left side view of the marine radio;

FIG. 6 is a right side view of the marine radio;

FIG. 7 is a rear view of the marine radio; and,

FIG. 8 is a bottom view of the marine radio.

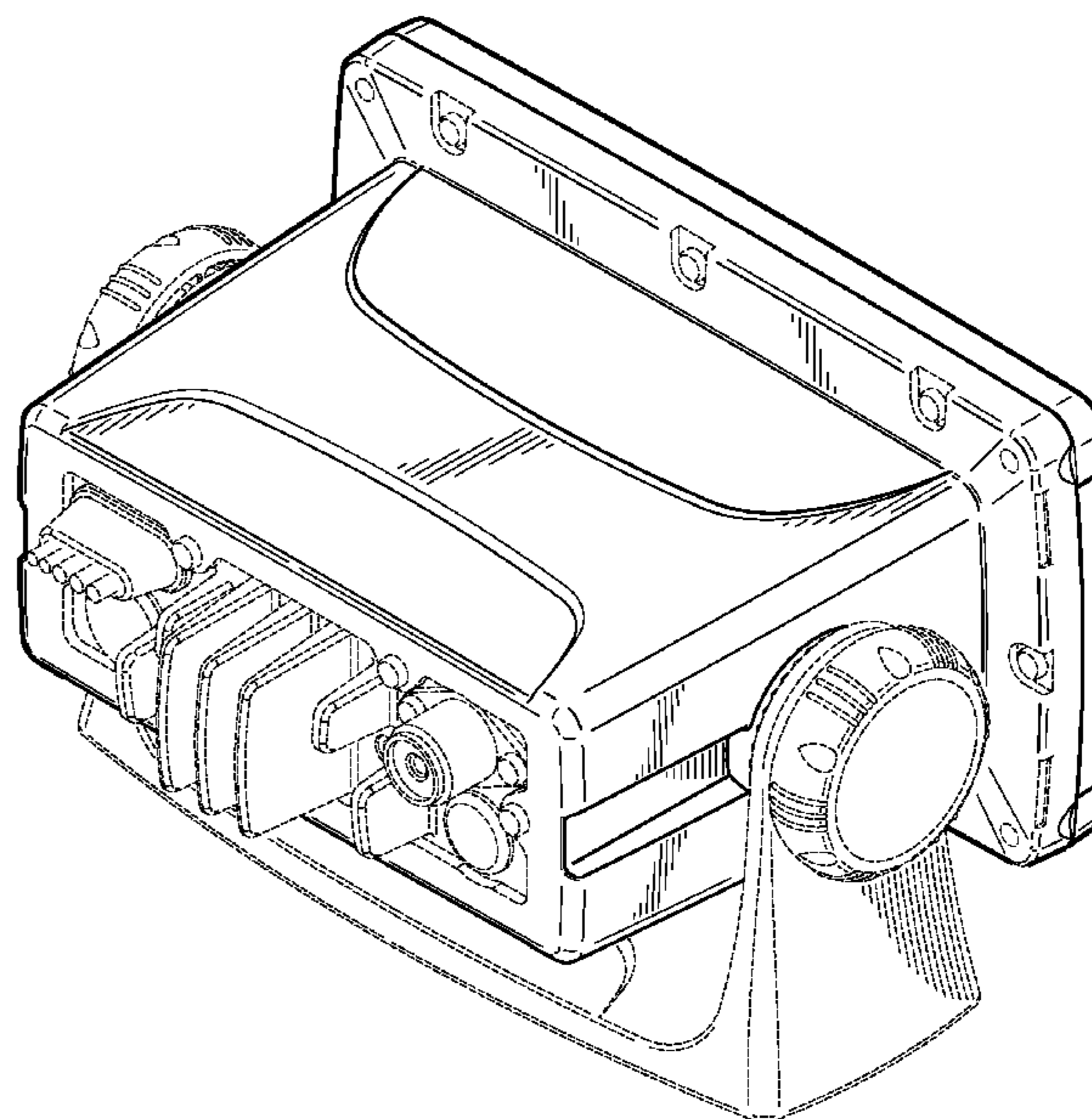
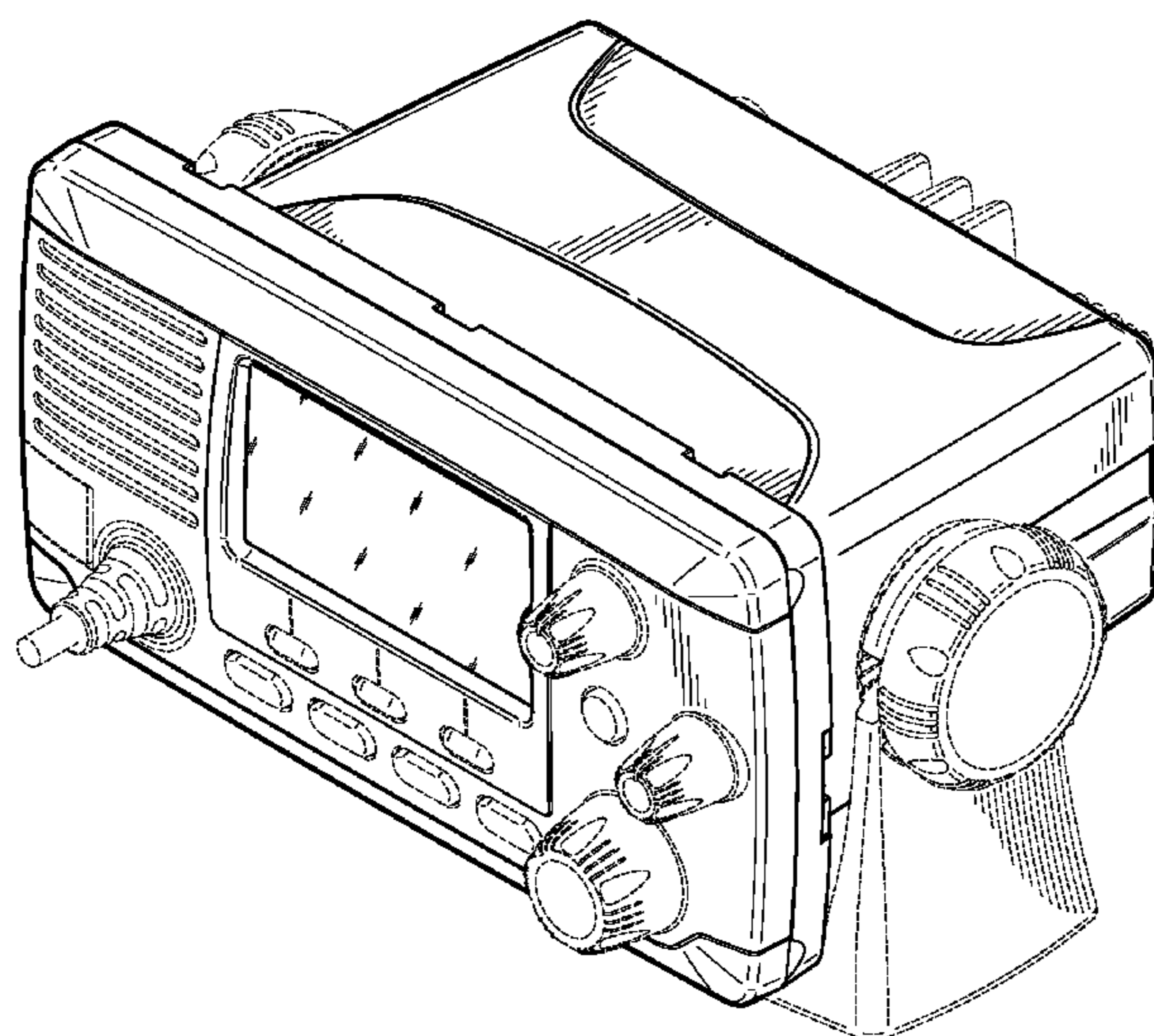
Portions of FIGS. 1 through 8 are shown in dashed lines for illustrative purposes only and form no part of the claimed design.

(56) **References Cited**

U.S. PATENT DOCUMENTS

- D356,308 S * 3/1995 Culbertson D14/137
- D530,305 S * 10/2006 Kaner et al. D14/188
- D531,982 S * 11/2006 Akita D14/188
- D594,452 S * 6/2009 Katsuno D14/258

1 Claim, 4 Drawing Sheets



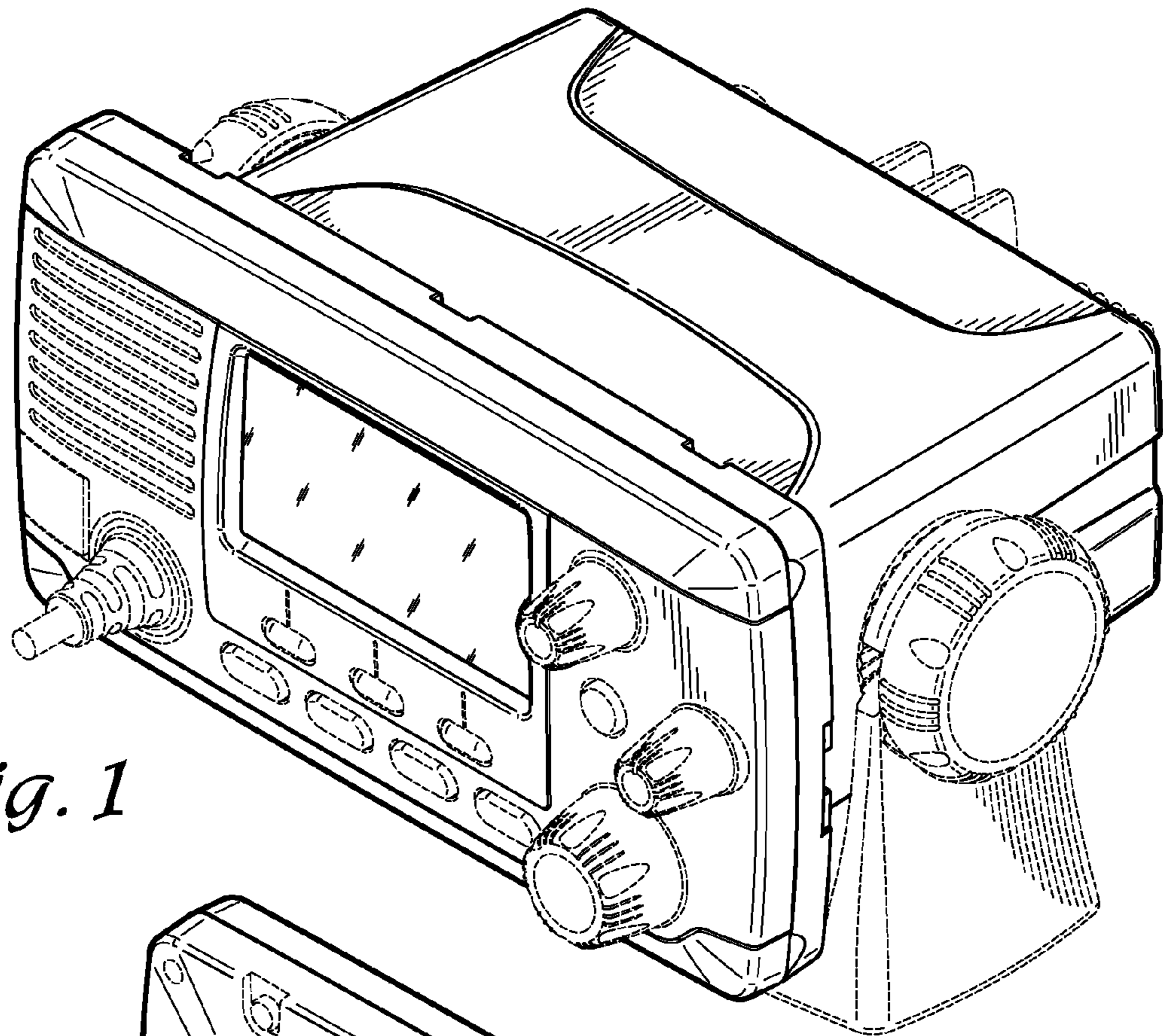


Fig. 1

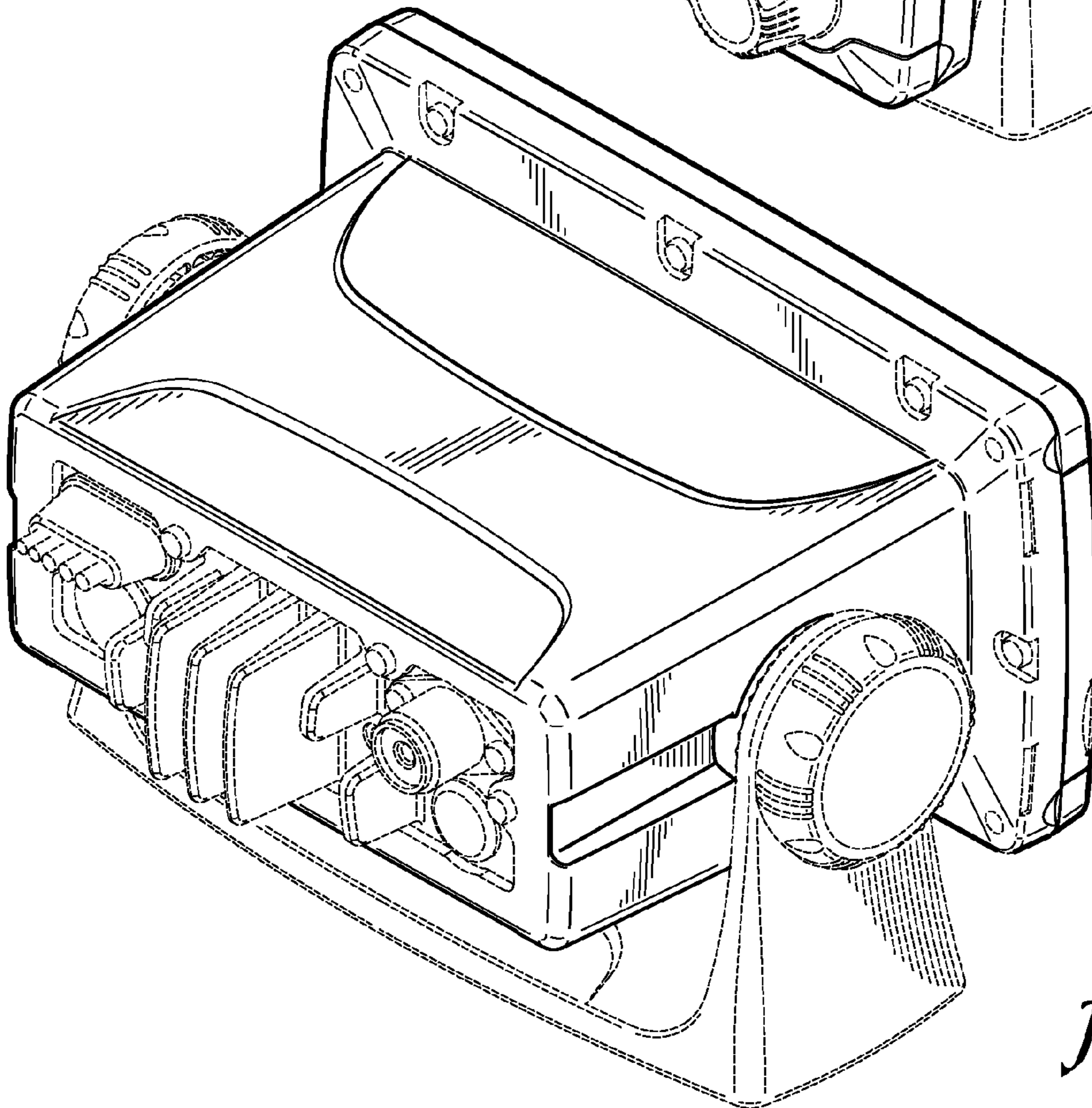


Fig. 2

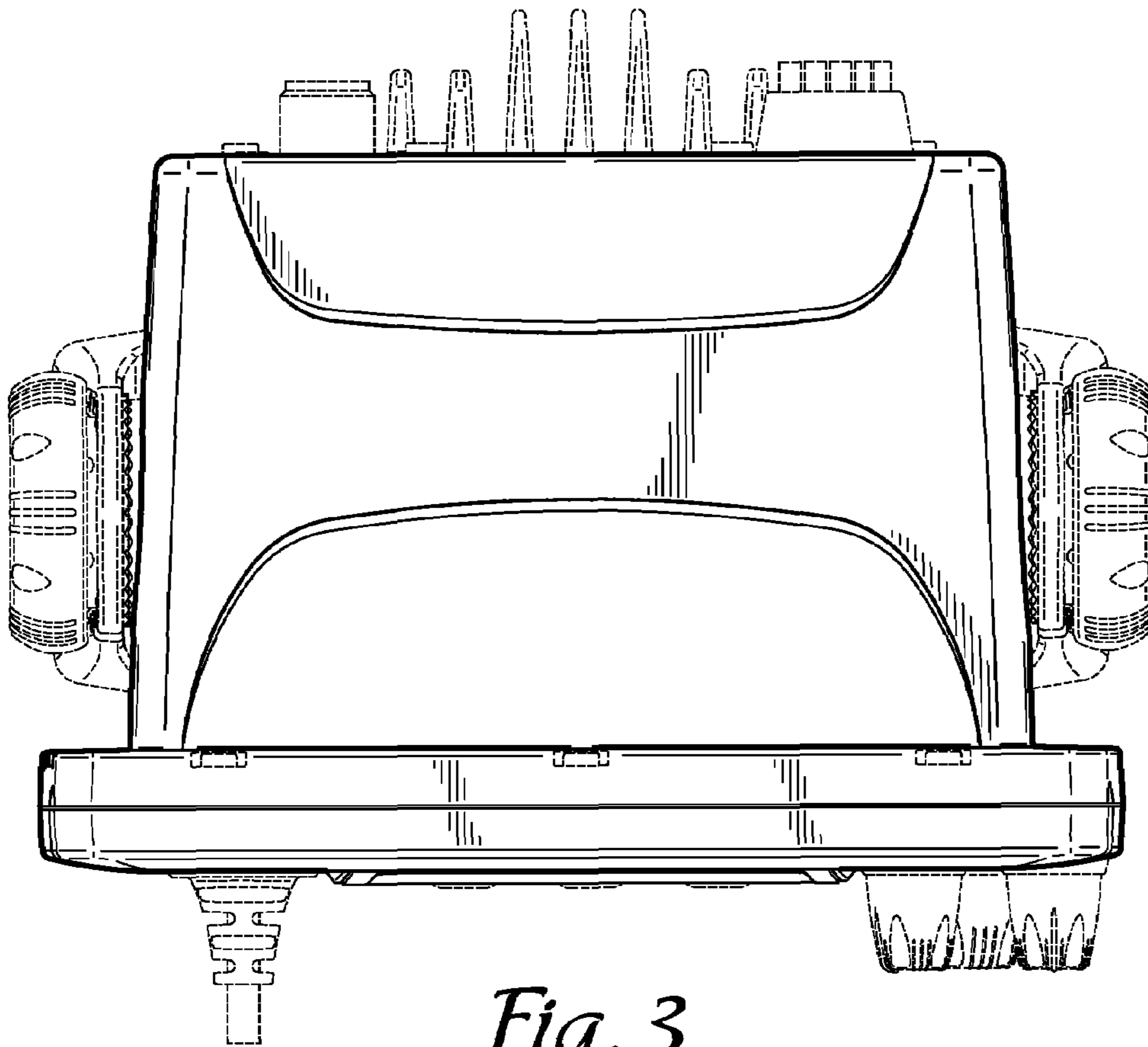


Fig. 3

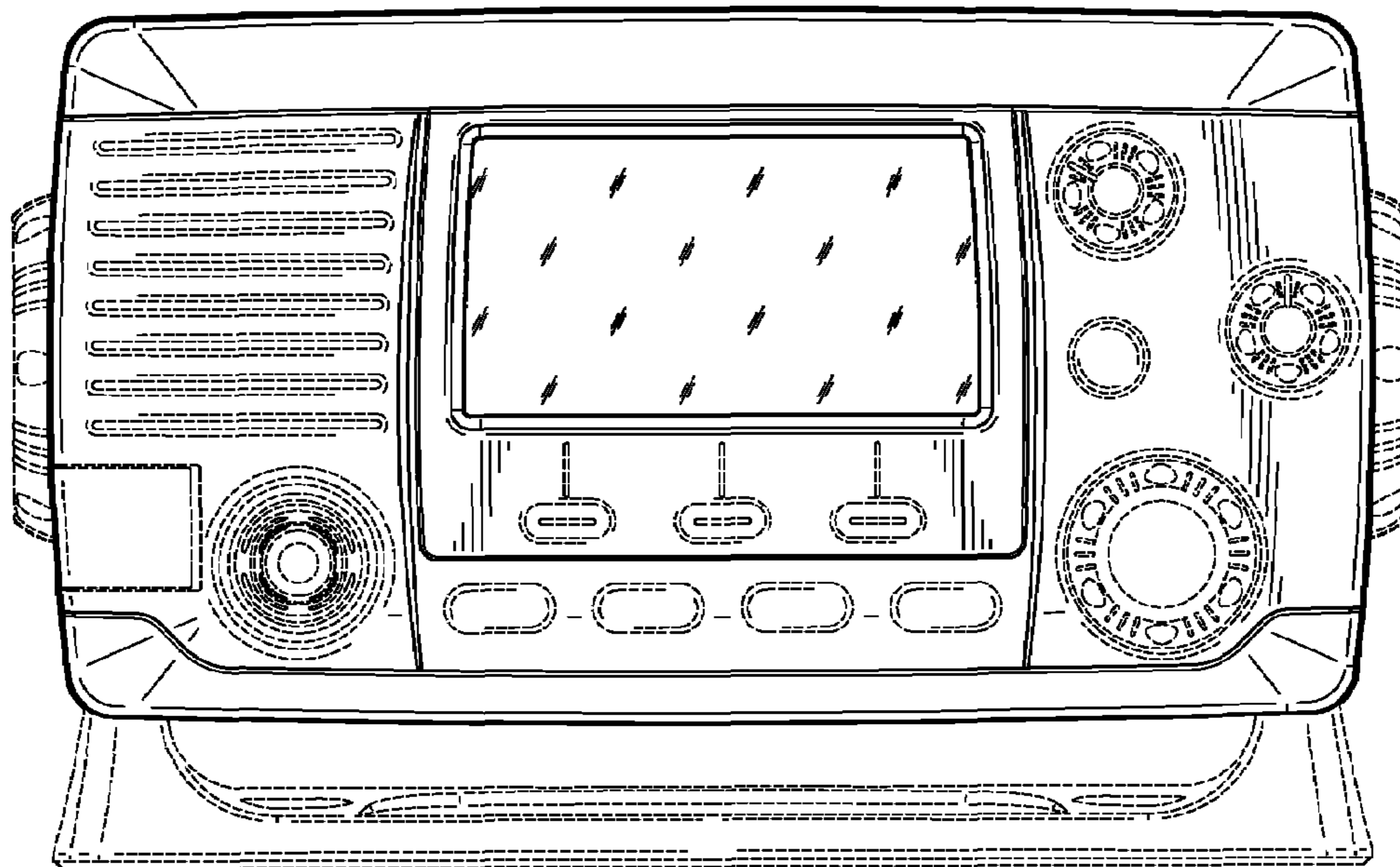


Fig. 4

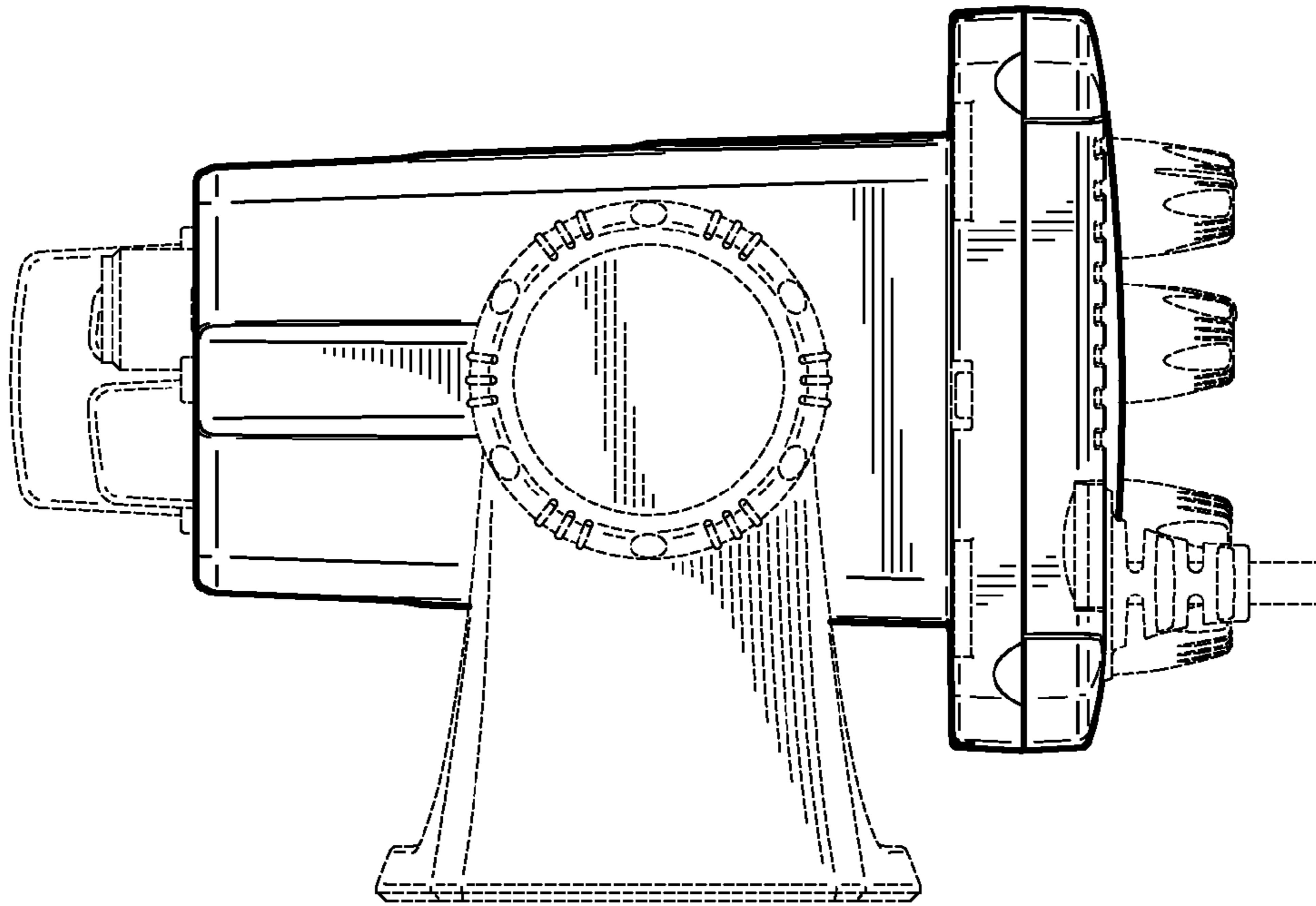


Fig. 5

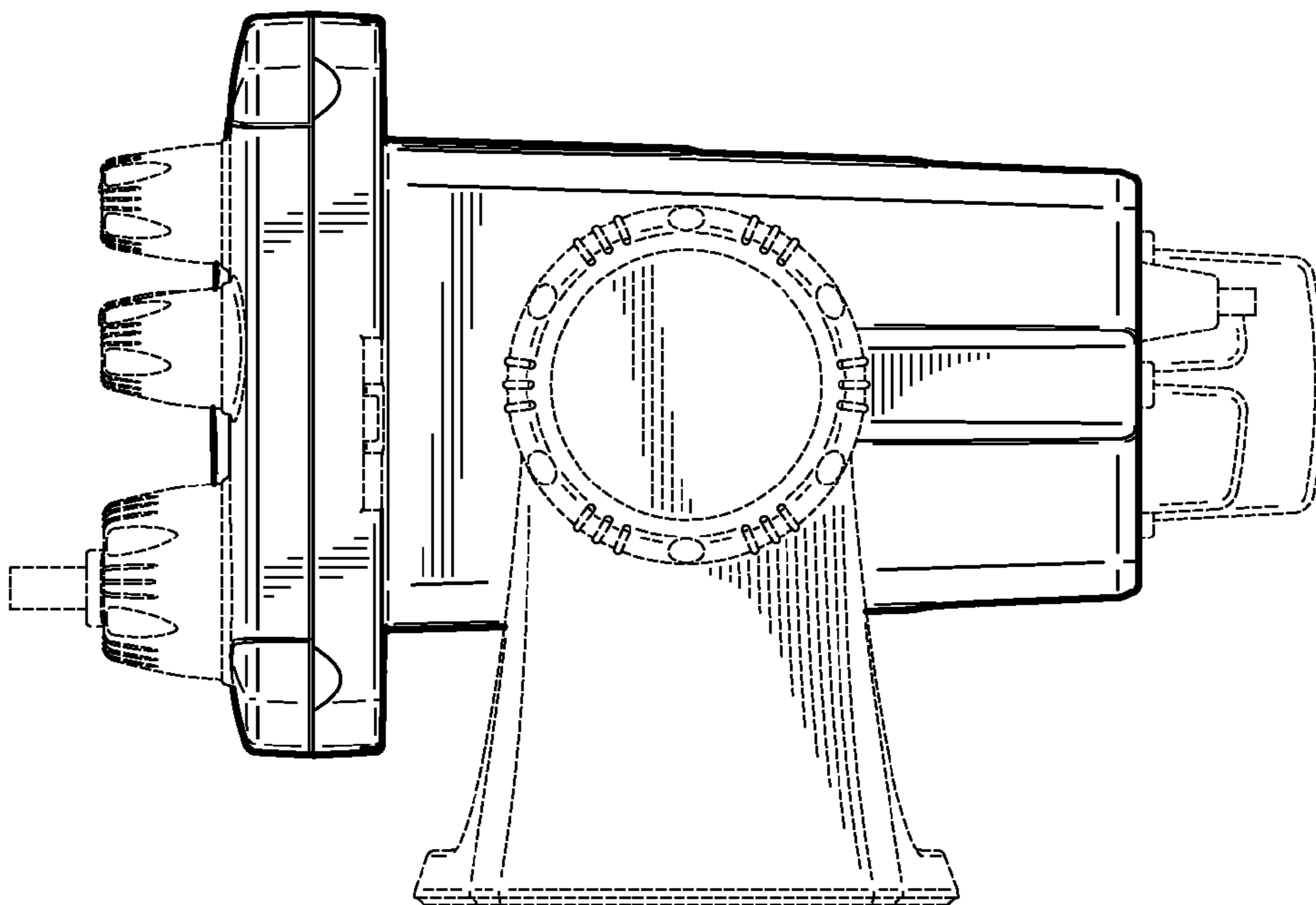


Fig. 6

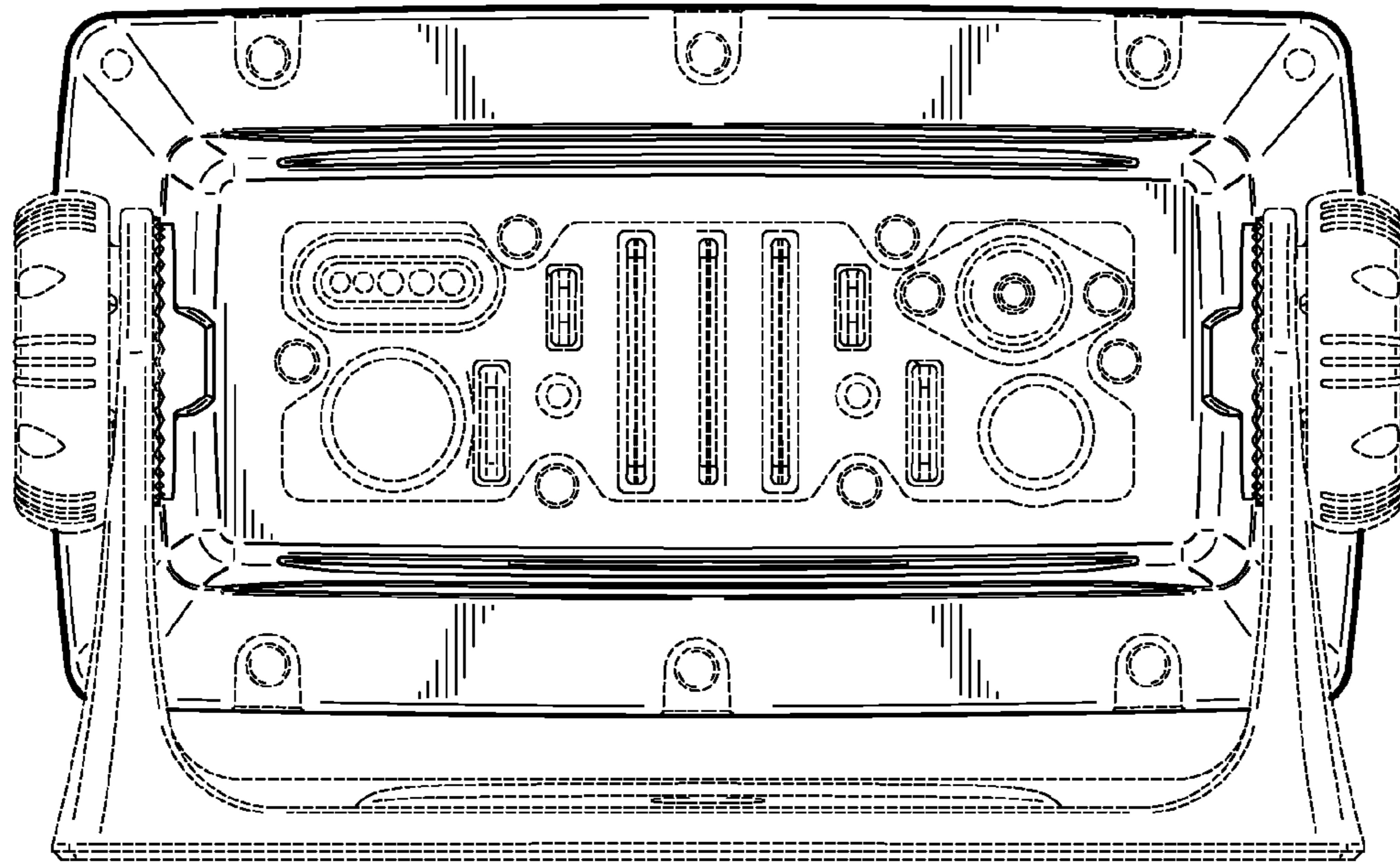


Fig. 7

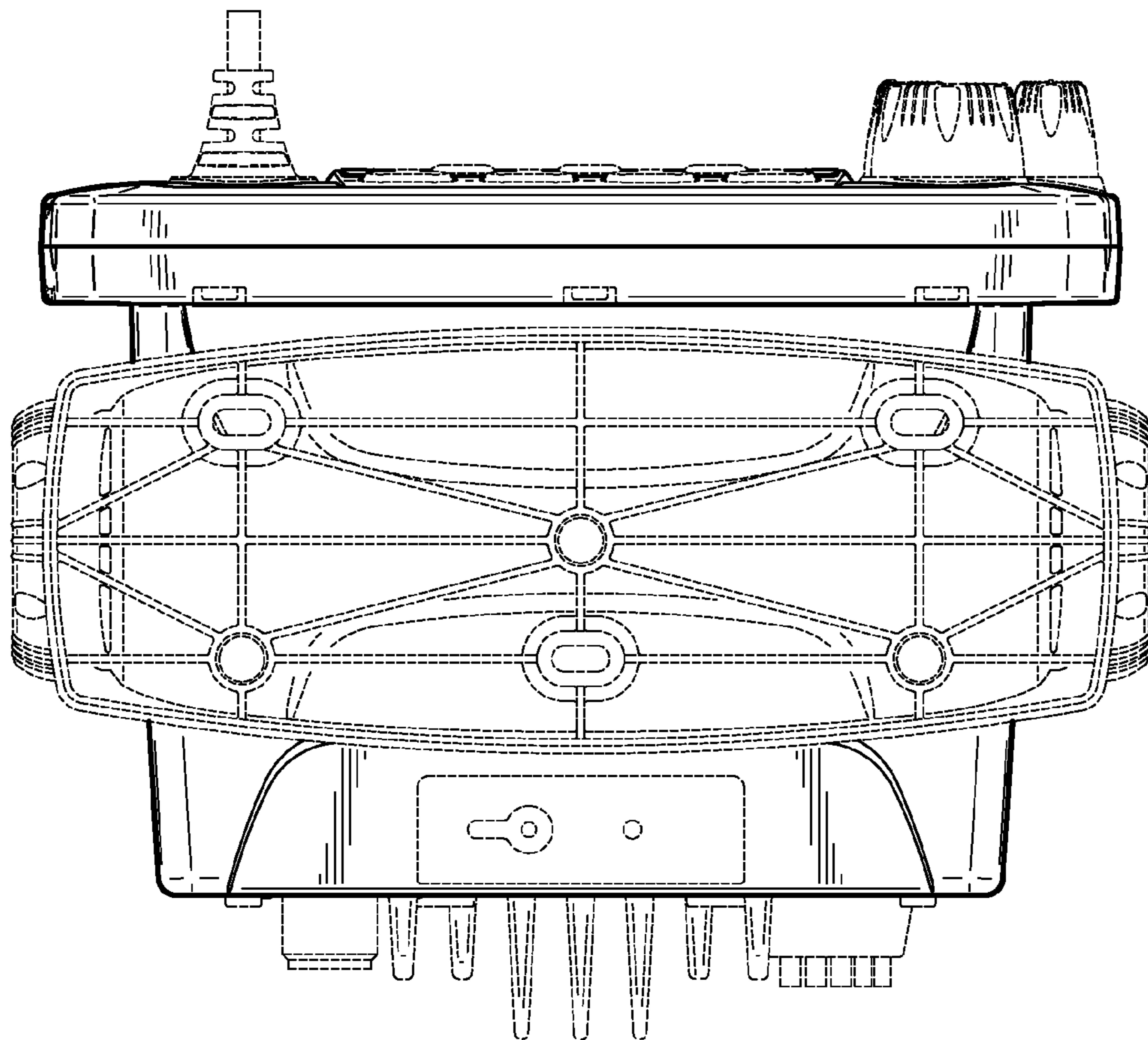


Fig. 8