



US00D615522S

(12) **United States Design Patent**  
**Kim**

(10) **Patent No.:** **US D615,522 S**

(45) **Date of Patent:** **\*\* May 11, 2010**

(54) **MOBILE PHONE**

(75) Inventor: **Dong Kyu Kim**, Lund (SE)  
(73) Assignee: **Sony Ericsson Mobile Communications AB**, Lund (SE)

(\*\*) Term: **14 Years**

(21) Appl. No.: **29/341,740**

(22) Filed: **Aug. 12, 2009**

(30) **Foreign Application Priority Data**

Mar. 27, 2009 (EM) ..... 001114565-0003  
Mar. 27, 2009 (EM) ..... 001114565-0004

(51) **LOC (9) Cl.** ..... **14-03**

(52) **U.S. Cl.** ..... **D14/138 AD**

(58) **Field of Classification Search** ..... D14/138 R,  
D14/138 AD, 138 AC, 138 C, 138 G, 191,  
D14/203.1–203.8, 496, 138 AA, 138 AB,  
D14/247–248, 137, 147, 218, 341–347; D10/65,  
D10/78, 104; D13/168; D18/7; 455/566,  
455/575.1, 575.3

See application file for complete search history.

(56) **References Cited**

**U.S. PATENT DOCUMENTS**

D511,342 S \* 11/2005 Chien ..... D14/346  
D526,300 S \* 8/2006 Lee ..... D14/138 AD  
D527,000 S \* 8/2006 Hong et al. .... D14/346  
D529,465 S \* 10/2006 Kim et al. .... D14/138 AD  
D529,471 S \* 10/2006 Park ..... D14/138 AD  
D534,143 S \* 12/2006 Lhem ..... D14/138 AD  
D534,145 S \* 12/2006 Lhem ..... D14/138 AD  
D534,518 S \* 1/2007 Choi et al. .... D14/138 AD  
D534,890 S \* 1/2007 Kim ..... D14/138 AD  
D535,637 S \* 1/2007 Park et al. .... D14/138 AC  
D536,690 S \* 2/2007 Lee ..... D14/138 AD  
D537,062 S \* 2/2007 Kim et al. .... D14/138 AD

(Continued)

**OTHER PUBLICATIONS**

Gigabyte g-Smart MS820, announced Jun. 2008, [online], [retrieved on Jun. 13, 2008]. Retrieved from Internet ,<URL: http://www.gsmarena.com>.\*  
LG KM500, announced Feb. 2008, [online], [retrieved on Mar. 21, 2008]. Retrieved from Internet ,<URL: http://www.gsmarena.com>.\*

(Continued)

*Primary Examiner*—Jeffrey D Asch  
*Assistant Examiner*—Bridget L Eland  
(74) *Attorney, Agent, or Firm*—Renner, Otto, Boisselle & Sklar, LLP

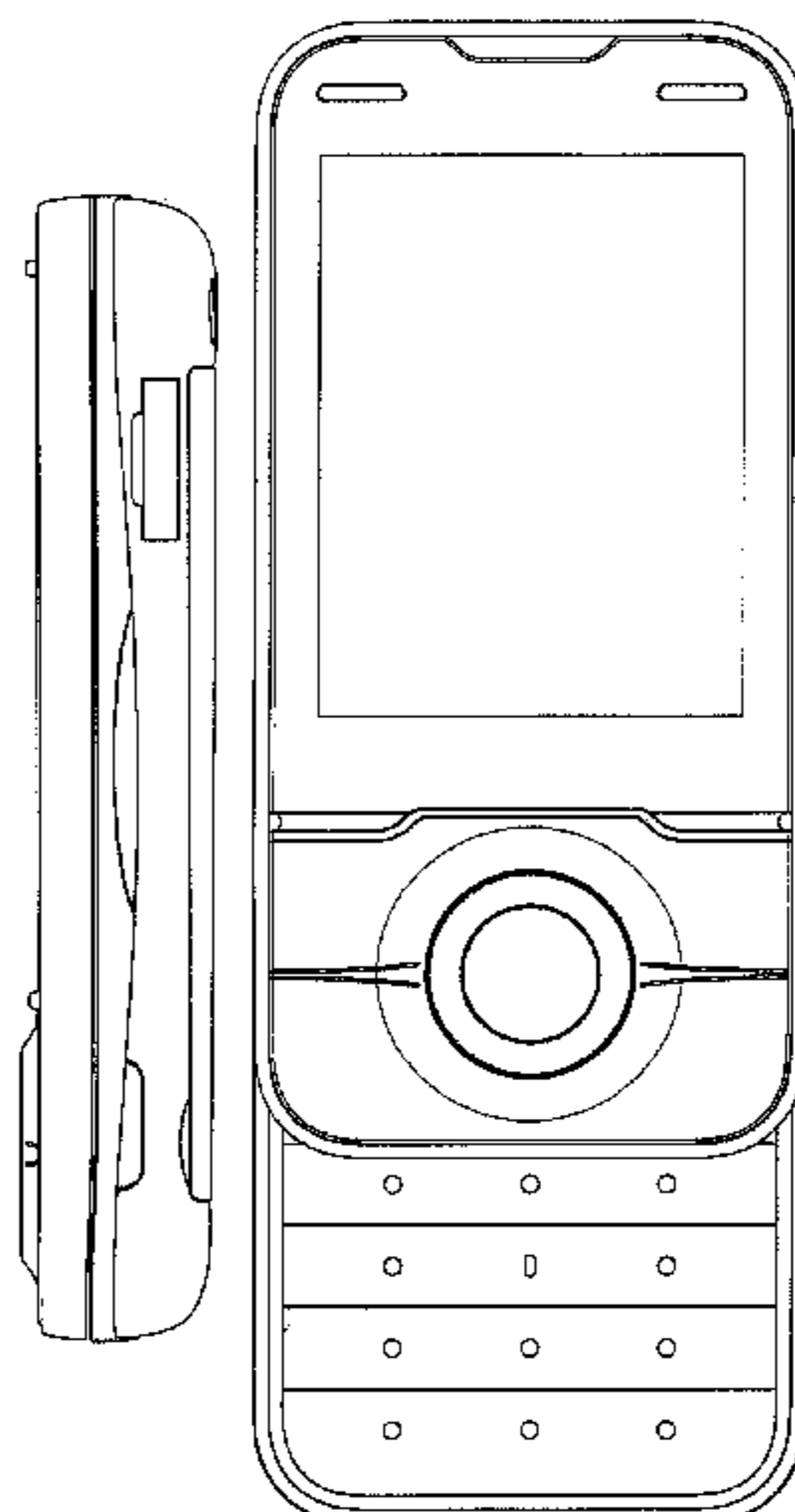
(57) **CLAIM**

The ornamental design for a mobile phone, as shown and described.

**DESCRIPTION**

FIG. 1 is a front perspective view of a mobile phone in a closed position showing my design;  
FIG. 2 is a front view thereof;  
FIG. 3 is a rear view thereof;  
FIG. 4 is a left side view thereof;  
FIG. 5 is a right side view thereof;  
FIG. 6 is a top view thereof;  
FIG. 7 is a bottom view thereof;  
FIG. 8 is a front perspective view of the mobile phone in an open position;  
FIG. 9 is a front view thereof;  
FIG. 10 is a rear view thereof;  
FIG. 11 is a left side view thereof;  
FIG. 12 is a right side view thereof;  
FIG. 13 is a top view thereof; and,  
FIG. 14 is a bottom view thereof.

**1 Claim, 10 Drawing Sheets**



# US D615,522 S

Page 2

---

## U.S. PATENT DOCUMENTS

D547,296 S \* 7/2007 Lin ..... D14/138 AD  
D557,244 S \* 12/2007 Lee et al. .... D14/138 AD  
D561,148 S \* 2/2008 Chen ..... D14/138 AD  
D562,287 S \* 2/2008 Kim et al. .... D14/138 AD  
D570,320 S \* 6/2008 Lee et al. .... D14/138 AD  
D574,806 S \* 8/2008 Lee et al. .... D14/138 AD  
D576,996 S \* 9/2008 Choe et al. .... D14/138 AD  
D581,390 S \* 11/2008 Ma et al. .... D14/138 AD  
D581,892 S \* 12/2008 Lee et al. .... D14/138 AD  
D582,378 S \* 12/2008 Kim et al. .... D14/138 AD  
D597,516 S \* 8/2009 Kim ..... D14/138 AD

D601,532 S \* 10/2009 Park et al. .... D14/138 AD  
2003/0064688 A1 \* 4/2003 Mizuta et al. .... 455/90  
2005/0014538 A1 \* 1/2005 Hyun et al. .... 455/575.4

## OTHER PUBLICATIONS

Samsung A777, announced Nov. 2008, [online], [retrieved on Nov. 18, 2008]. Retrieved from Internet ,<URL: <http://www.gsmarena.com>>.\*

Sony Ericsson Yari, announced May 2009, [online], [retrieved on Jun. 12, 2009]. Retrieved from Internet ,<URL: <http://www.gsmarena.com>>.\*

\* cited by examiner

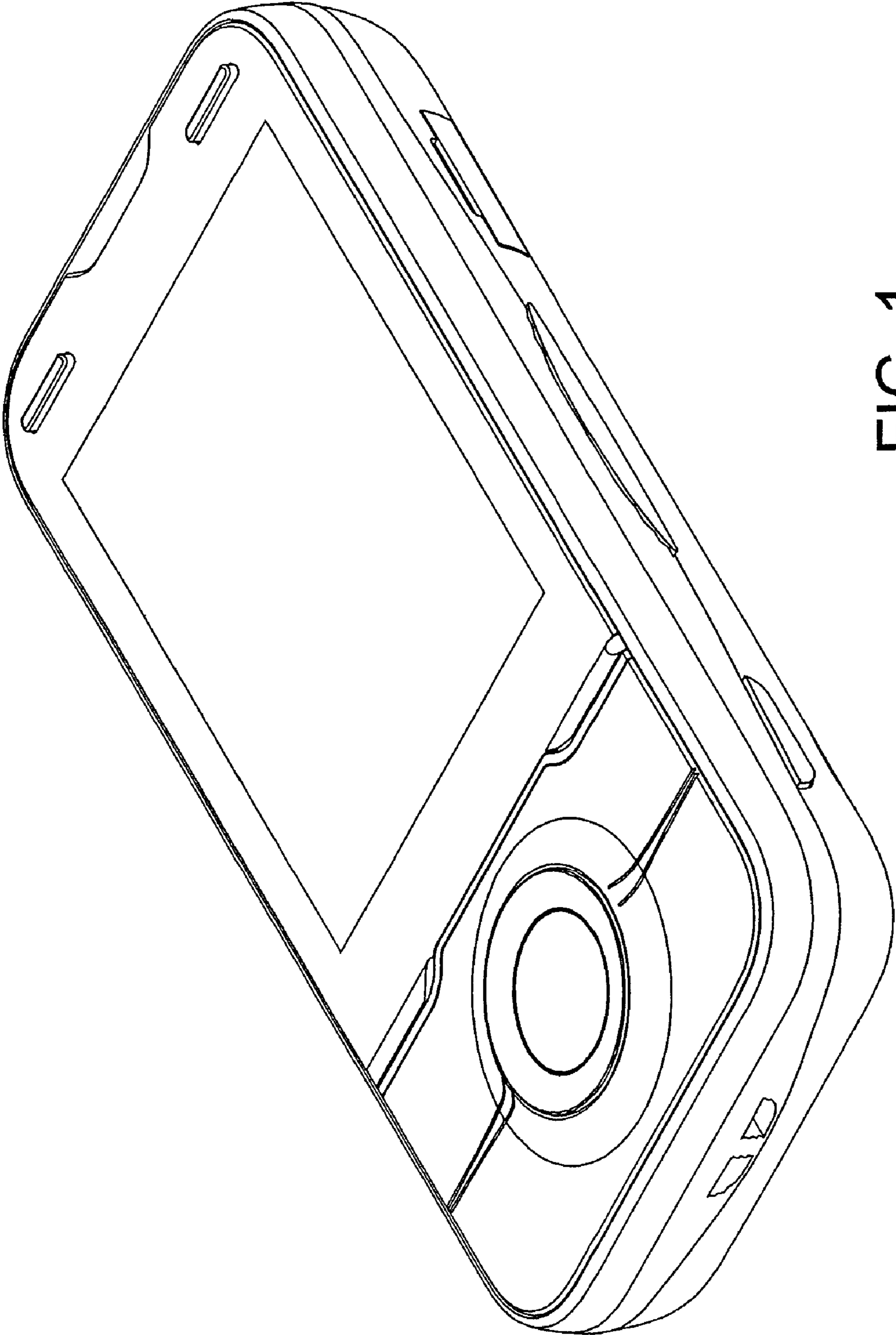


FIG. 1

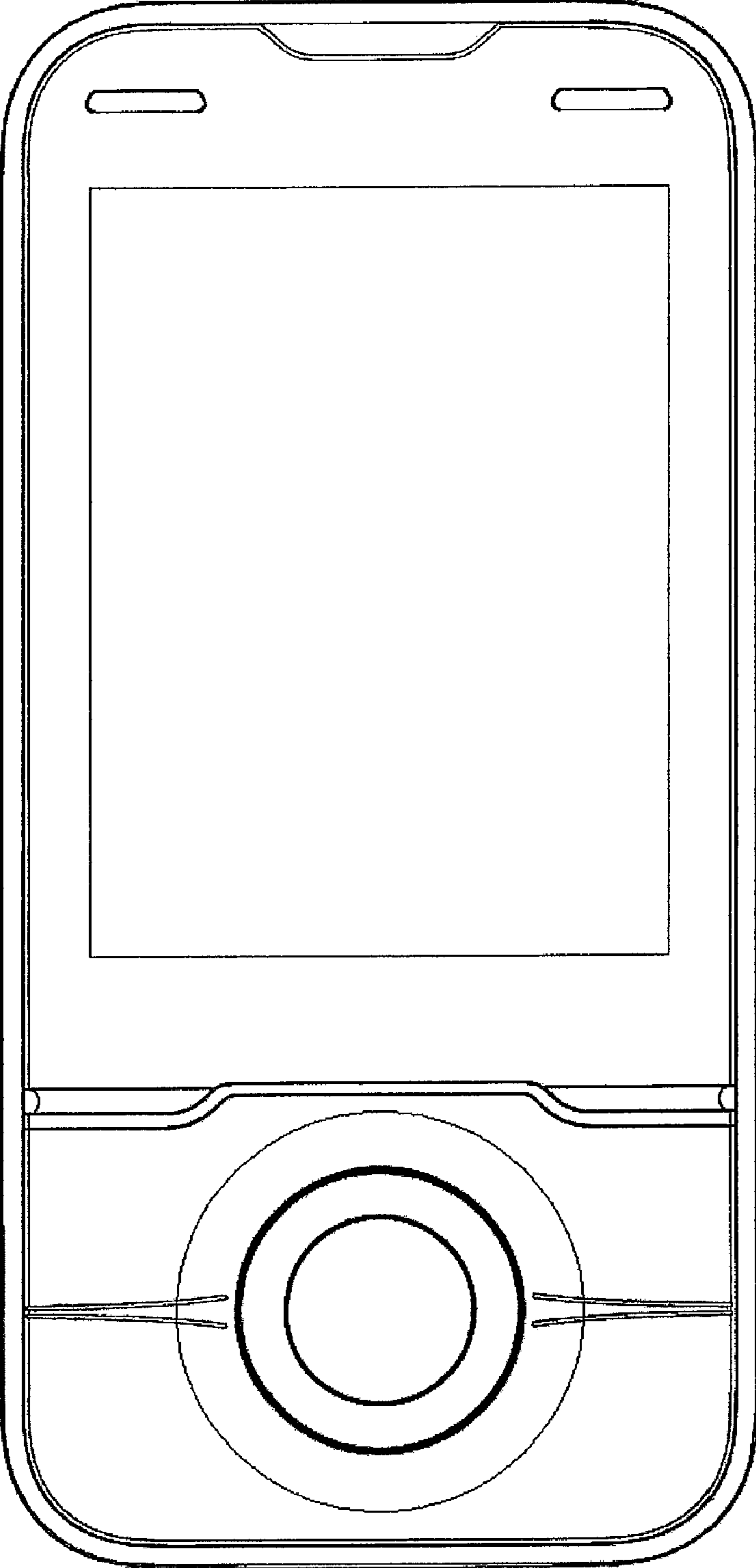


FIG. 2

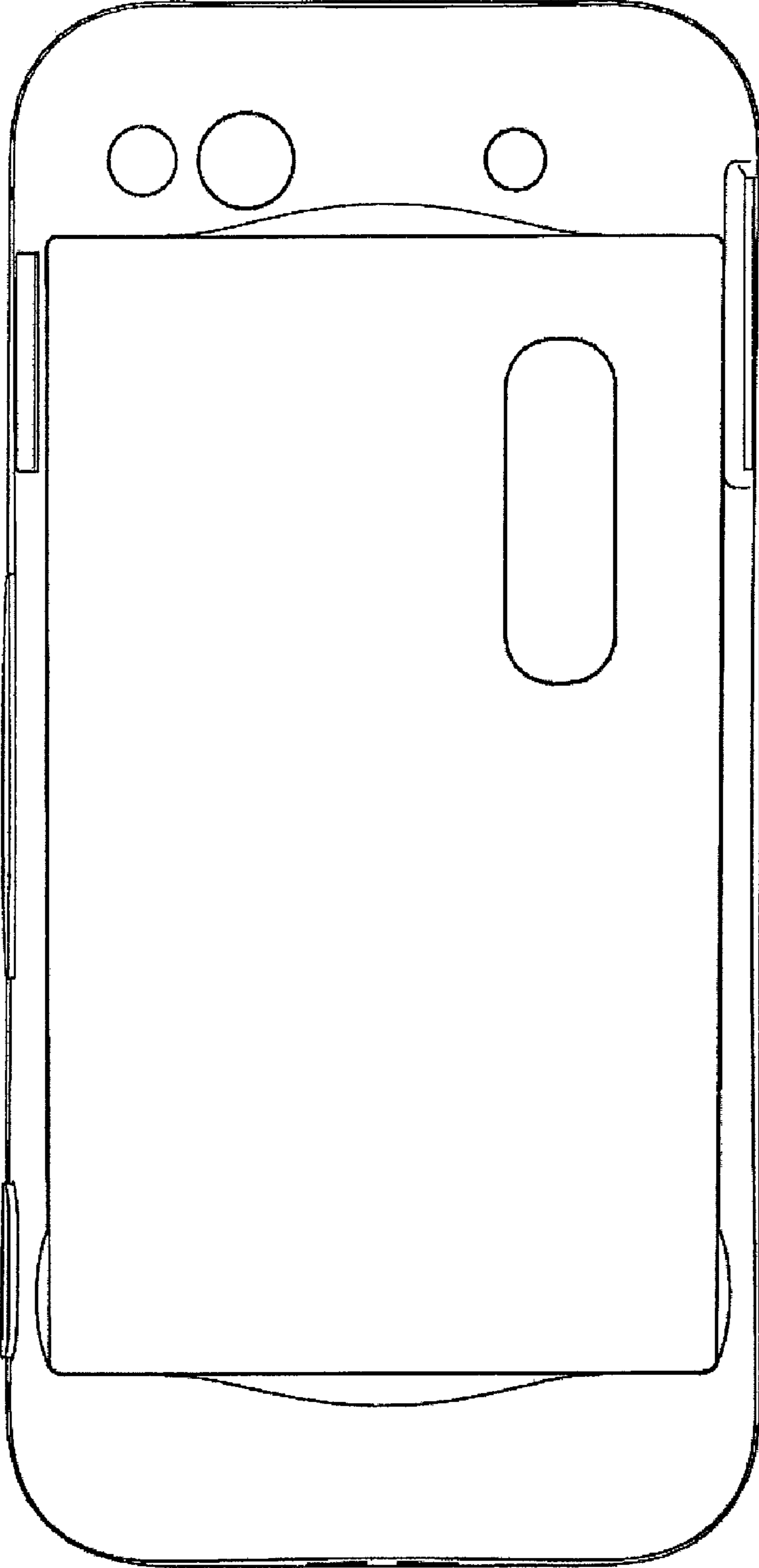


FIG. 3

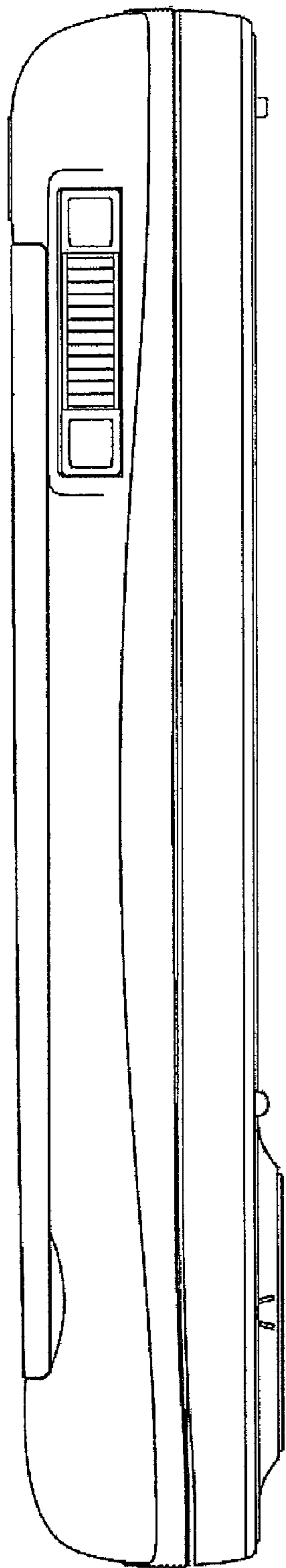


FIG. 4

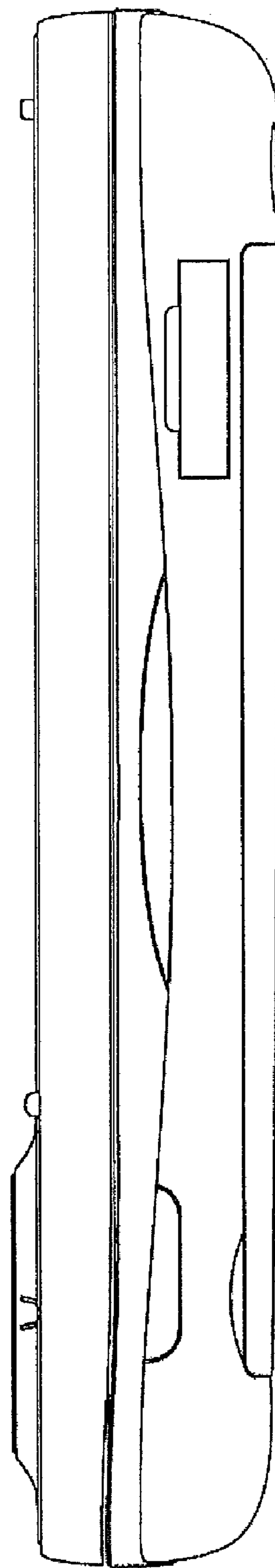


FIG. 5

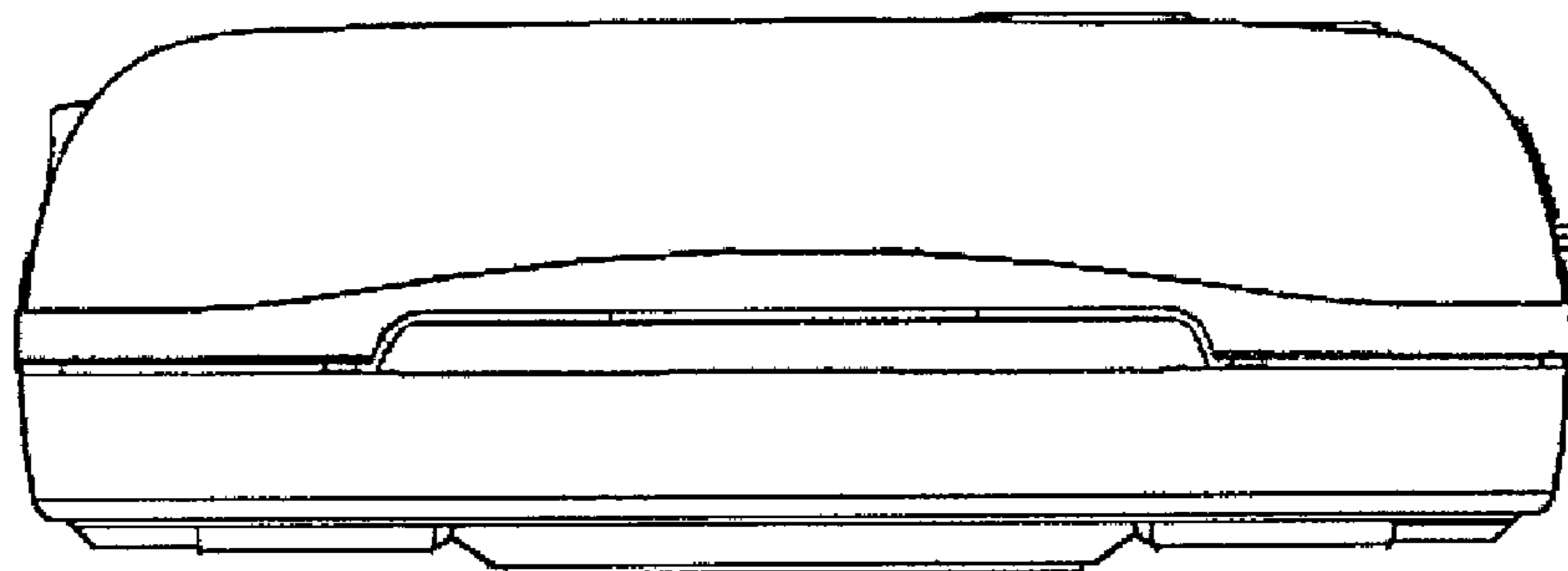


FIG. 6

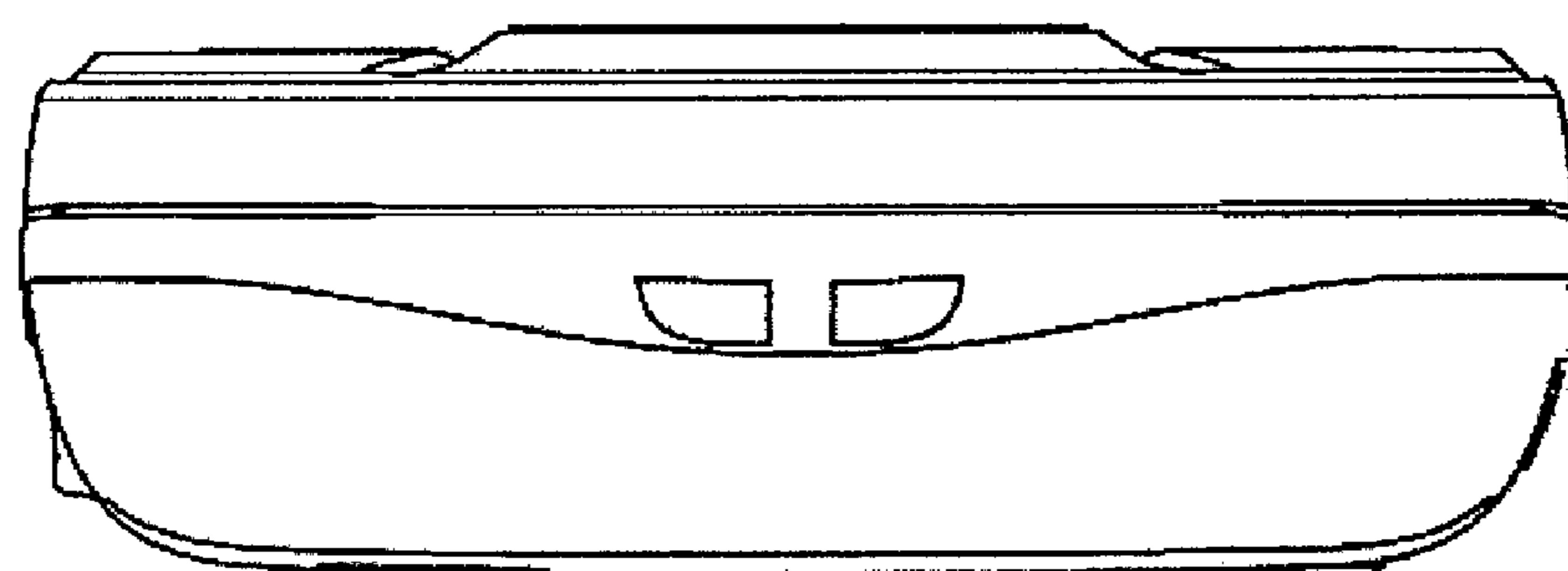


FIG. 7

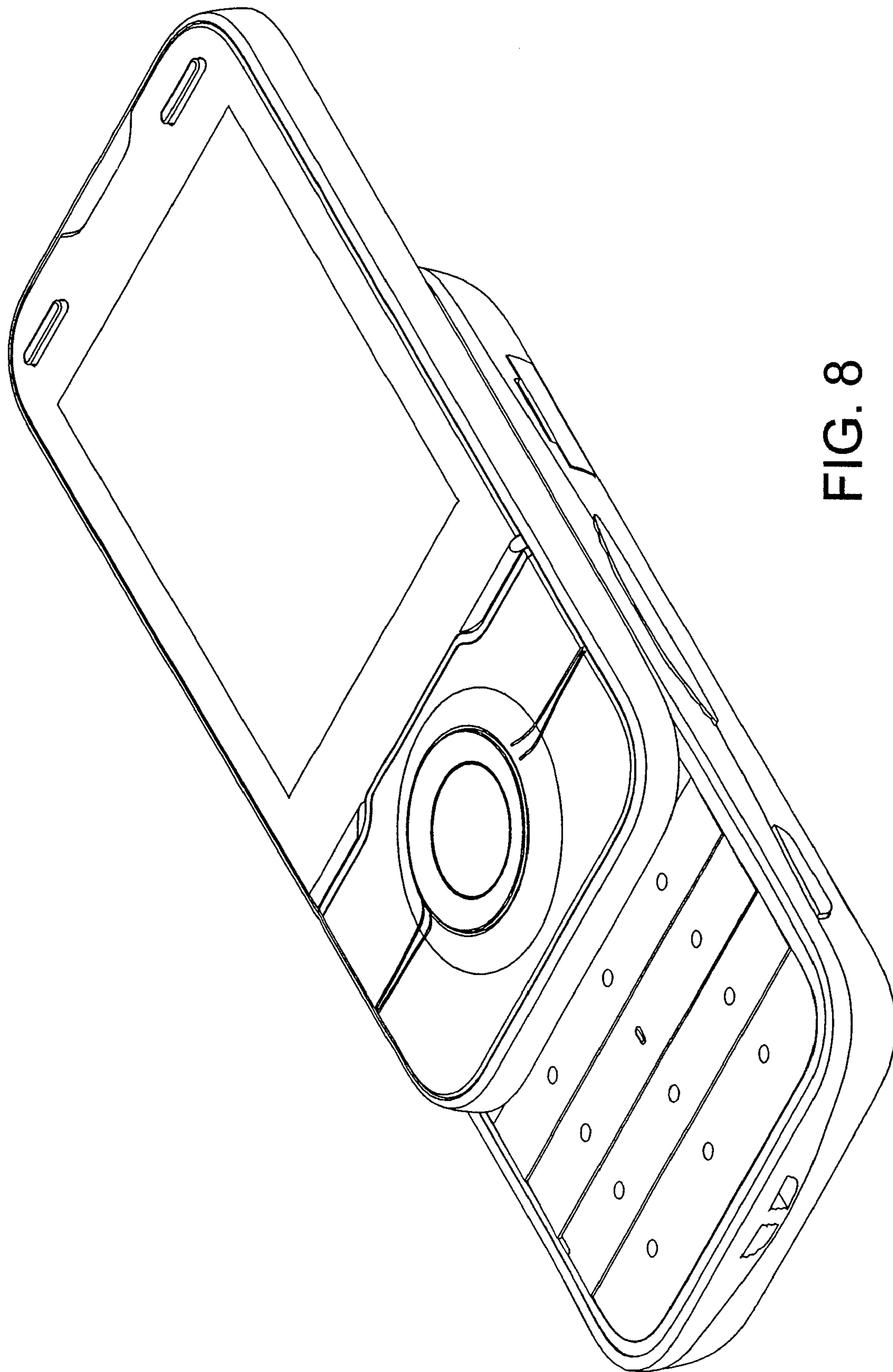


FIG. 8



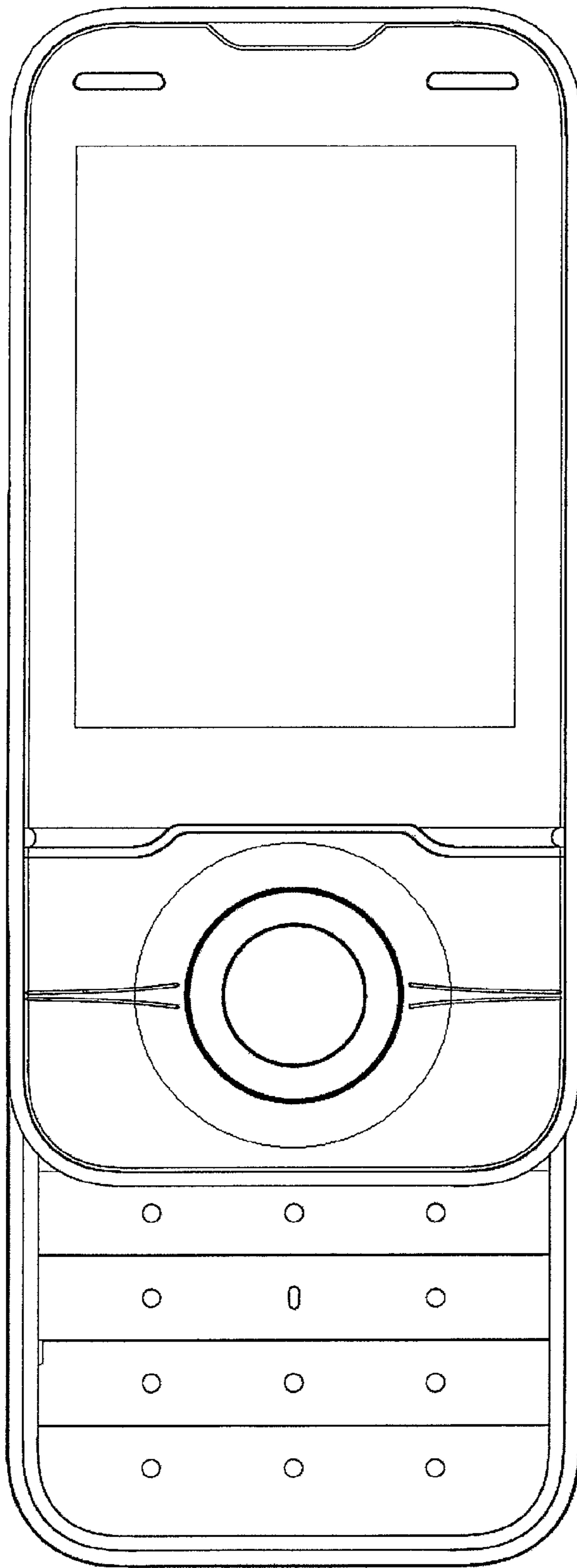


FIG. 9

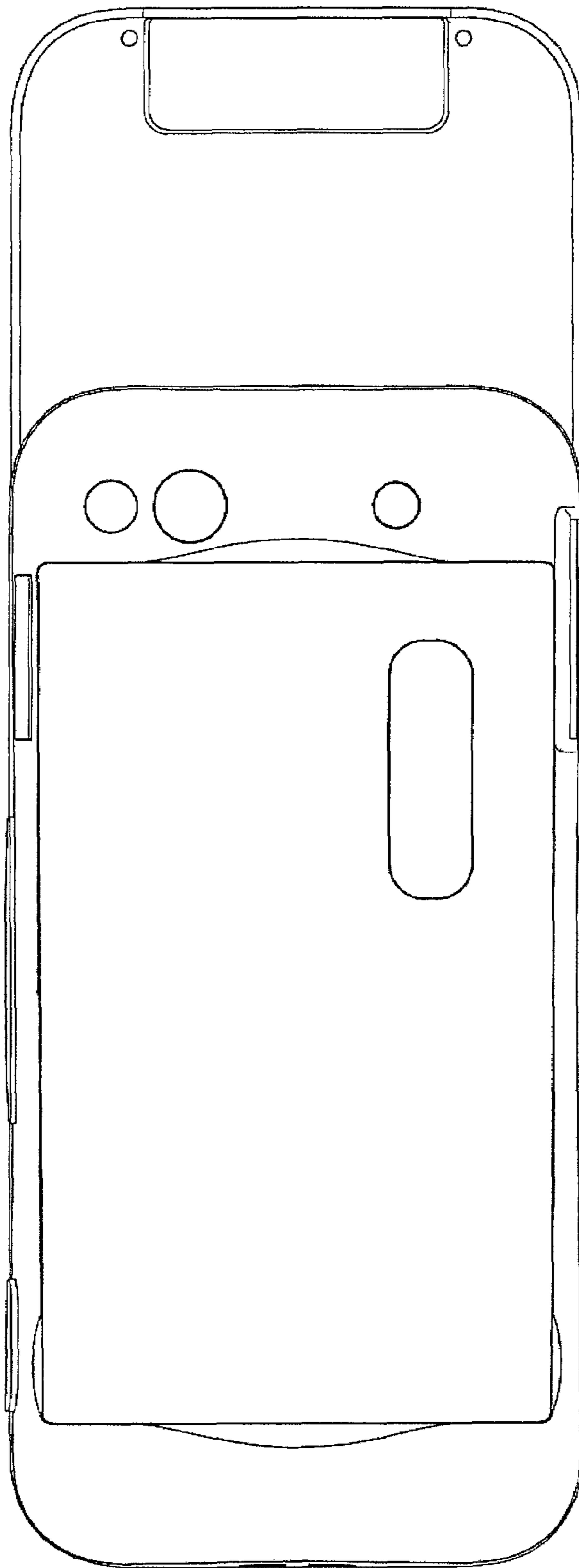


FIG. 10

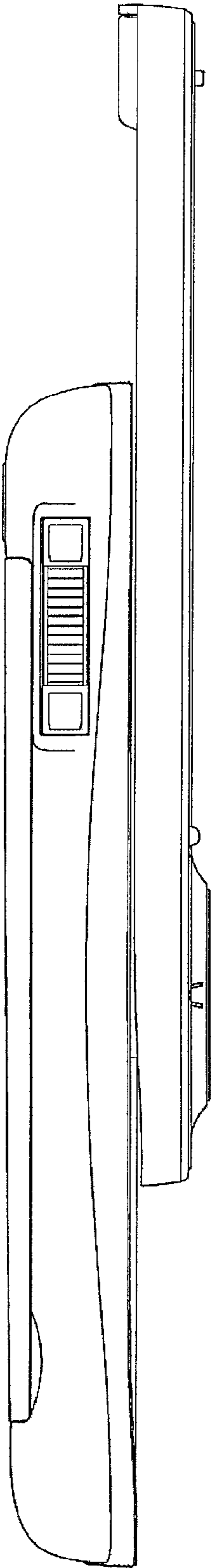


FIG. 11

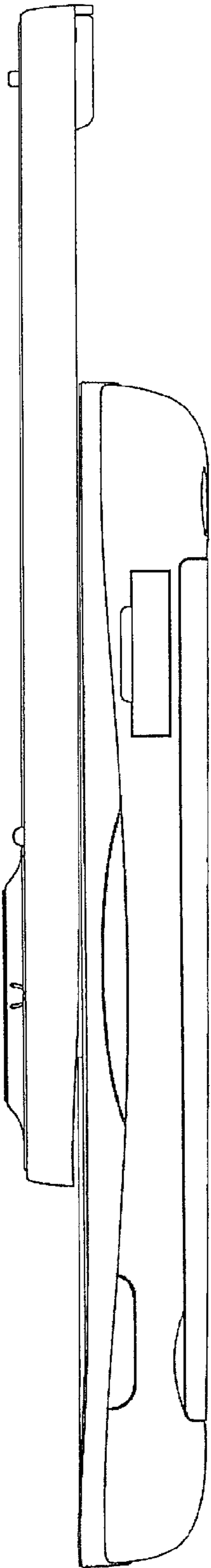


FIG. 12

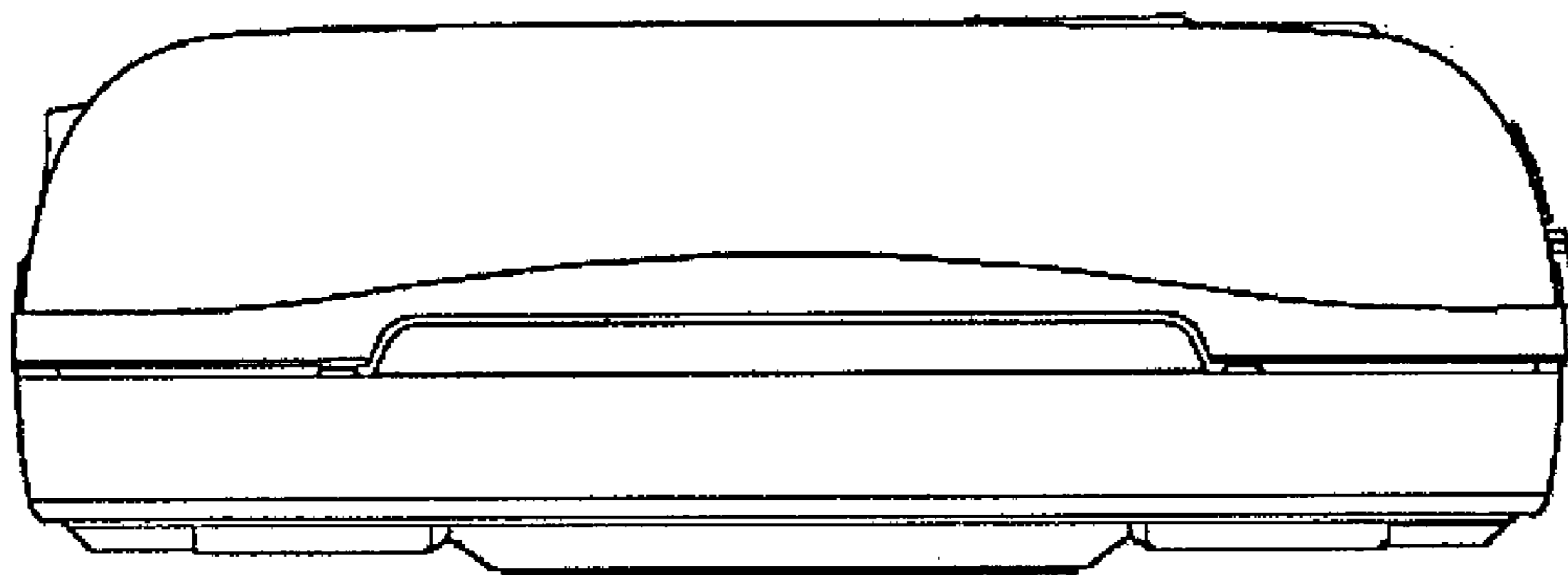


FIG. 13

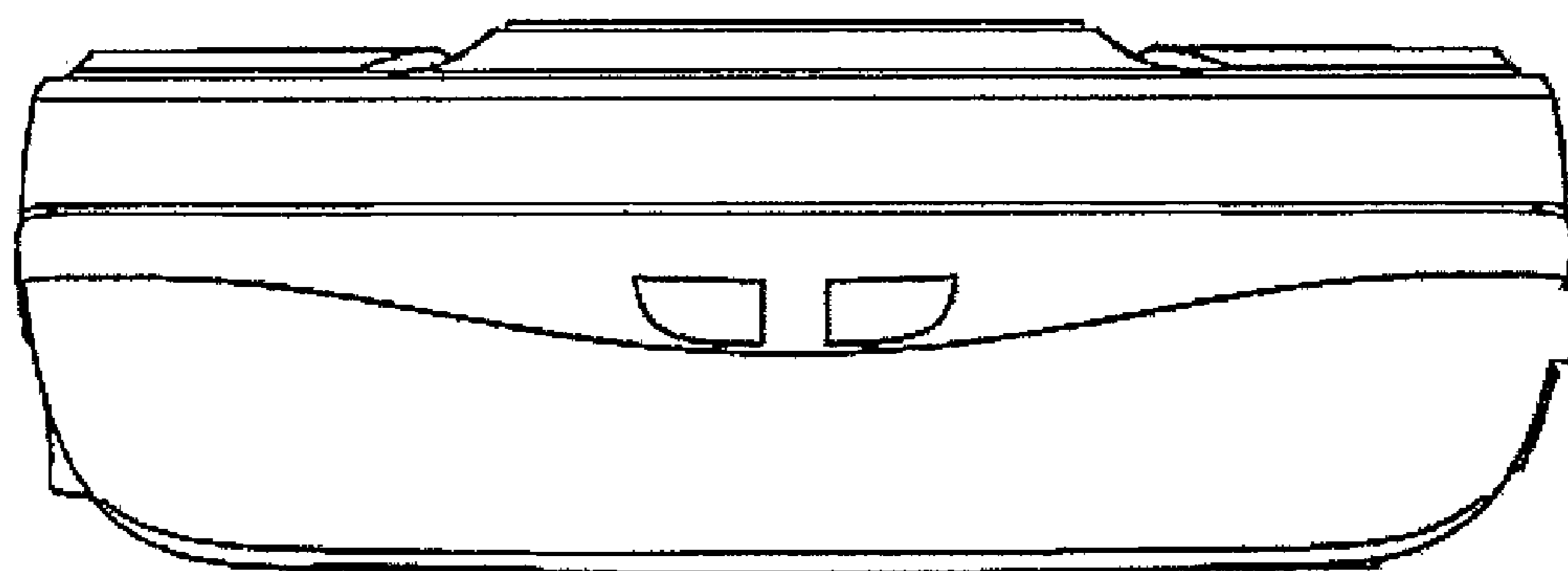


FIG. 14