



US00D615521S

(12) **United States Design Patent**
Song et al.

(10) **Patent No.:** **US D615,521 S**
(45) **Date of Patent:** **** May 11, 2010**

(54) **MOBILE PHONE**

D512,396 S * 12/2005 Kim et al. D14/138 AB

(75) Inventors: **Bong-Kyu Song**, Seoul (KR);
Young-Keun Lee, Seoul (KR);
Chang-Hwan Hwang, Goyang-Si (KR)

(Continued)

(73) Assignee: **Samsung Electronics Co., Ltd**, Suwon (KR)

OTHER PUBLICATIONS

Motorola V361 telephone, announced 1st quarter 2005, [online], [site visited Nov. 16, 2009]. Available from Internet, <URL: <http://www.gsmarena.com>>.*

(Continued)

(**) Term: **14 Years**

Primary Examiner—Jeffrey D Asch

(21) Appl. No.: **29/340,827**

(57) **CLAIM**

(22) Filed: **Jul. 27, 2009**

The ornamental design for mobile phone, as shown and described.

(30) **Foreign Application Priority Data**

DESCRIPTION

Jun. 5, 2009 (KR) 30-2009-0024865

FIG. 1 is a front perspective view of a mobile phone;
FIG. 2 is a front view of the mobile phone of FIG. 1;
FIG. 3 is a rear view of the mobile phone of FIG. 1;
FIG. 4 is a left-side view of the mobile phone of FIG. 1;
FIG. 5 is a right-side view of the mobile phone of FIG. 1;
FIG. 6 is a top plan view of the mobile phone of FIG. 1;
FIG. 7 is a bottom plan view of the mobile phone of FIG. 1;
and,
FIG. 8 is a front open view of the mobile phone of FIG. 1.

(51) **LOC (9) Cl.** **14-03**

(52) **U.S. Cl.** **D14/138 AB**

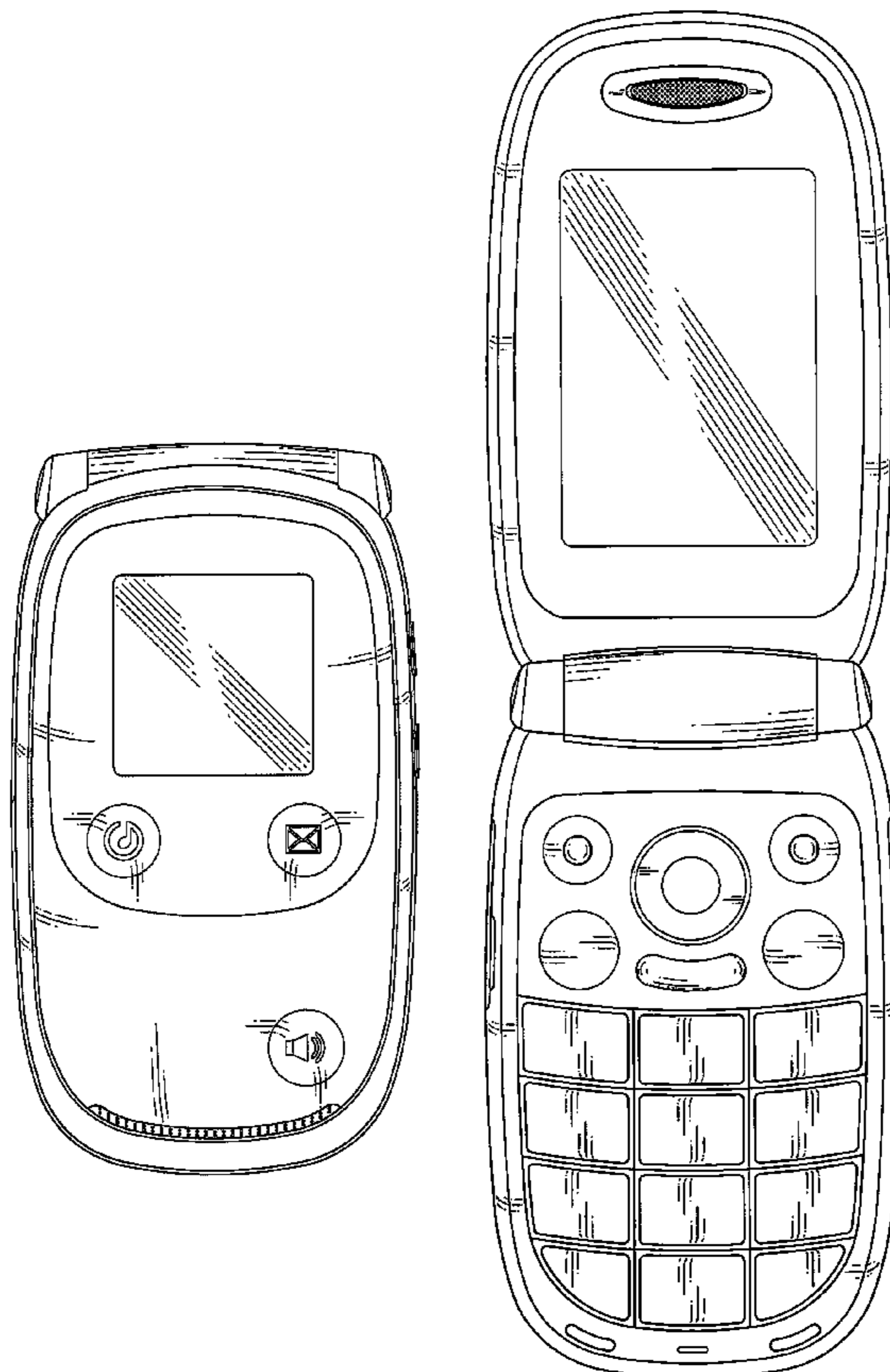
(58) **Field of Classification Search** D14/138 AB,
D14/138 R, 138 AD, 345, 346, 147, 203.4,
D14/203.7, 203.2, 144; 455/575.3; 379/433.1,
379/433.11, 433.13; D21/517
See application file for complete search history.

(56) **References Cited**

U.S. PATENT DOCUMENTS

D501,189 S * 1/2005 Lodato et al. D14/138 AB
D508,476 S * 8/2005 Kim D14/138 AB

1 Claim, 5 Drawing Sheets



US D615,521 S

Page 2

U.S. PATENT DOCUMENTS

D519,970 S *	5/2006	Kang et al.	D14/138 AB	D586,324 S *	2/2009	Lee et al.	D14/138 AB
D538,248 S *	3/2007	Kim et al.	D14/138 AB	D593,529 S *	6/2009	Choi et al.	D14/138 AB
D545,798 S *	7/2007	Kimbire	D14/138 AB	D598,000 S *	8/2009	Kim et al.	D14/138 AB
D549,678 S *	8/2007	Kim et al.	D14/138 AB	D603,357 S *	11/2009	Kang	D14/138 AB
D552,056 S *	10/2007	Lee et al.	D14/138 AB	D605,159 S *	12/2009	Kim et al.	D14/138 AB
D557,670 S *	12/2007	Park et al.	D14/138 AB	2007/0197268 A1 *	8/2007	Terada et al.	455/575.3
D561,158 S *	2/2008	Heng et al.	D14/138 AB	2009/0137281 A1 *	5/2009	Ke et al.	455/566
D567,796 S *	4/2008	Jeong et al.	D14/138 AB				
D568,856 S *	5/2008	Jung	D14/138 AB				
D569,362 S *	5/2008	Kim	D14/138 AB				
D571,328 S *	6/2008	Park et al.	D14/138 AB				
D571,340 S *	6/2008	Song et al.	D14/138 AB				
D571,342 S *	6/2008	Cho et al.	D14/138 AB				
D583,351 S *	12/2008	Tkachuk	D14/138 AB				
D585,415 S *	1/2009	Lim et al.	D14/138 AB				
D585,865 S *	2/2009	Lim et al.	D14/138 AB				

OTHER PUBLICATIONS

Haier Z8000 telephone, announced 2004, [online], [site visited Nov. 16, 2009]. Available from Internet ,<URL: <http://www.gsmarena.com>>.*

LG C1400 telephone, announced 1st quarter 2004, [online], [site visited Nov. 16, 2009]. Available from Internet ,<URL: <http://www.gsmarena.com>>.*

* cited by examiner

FIG. 1

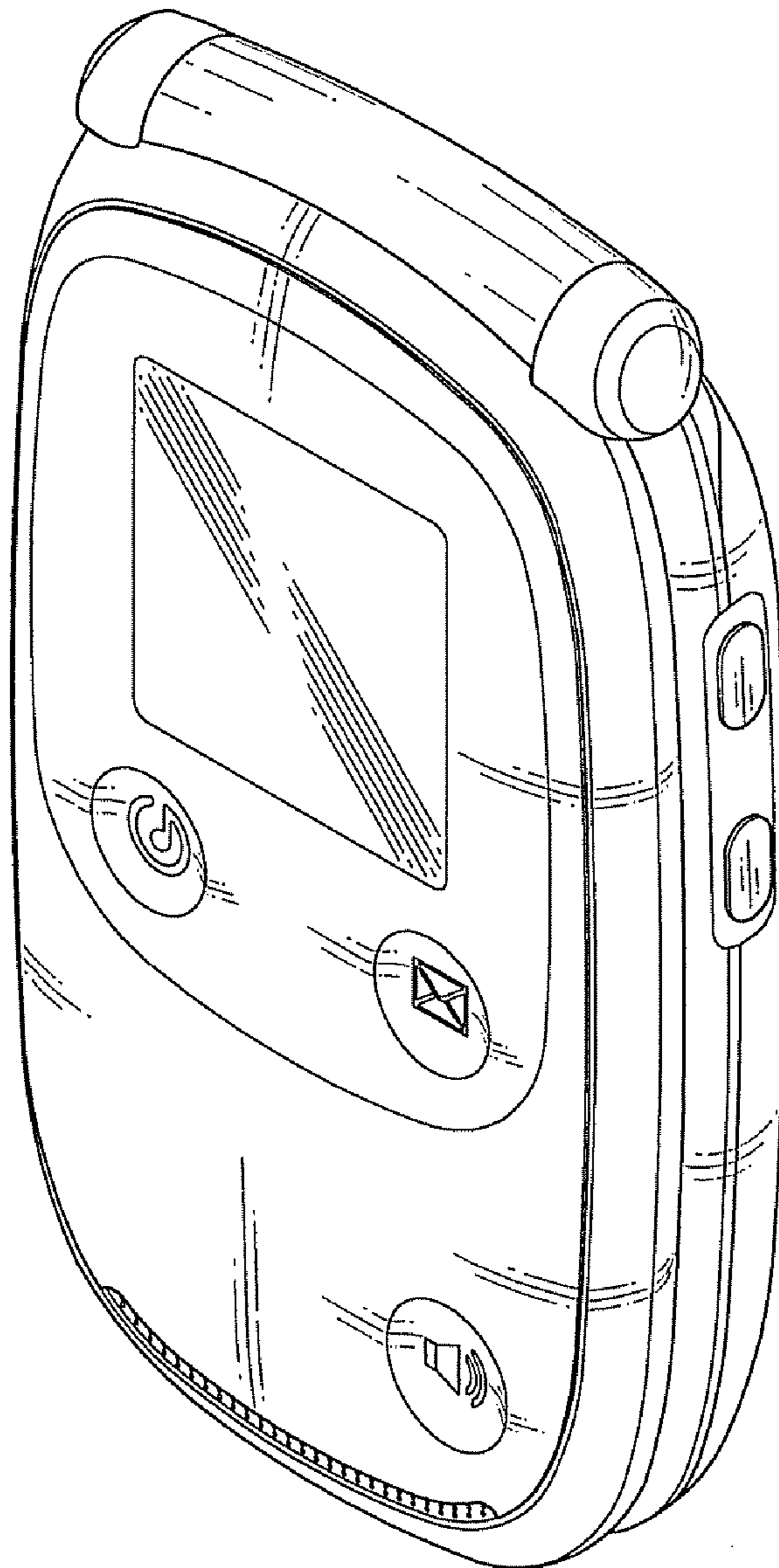


FIG. 2

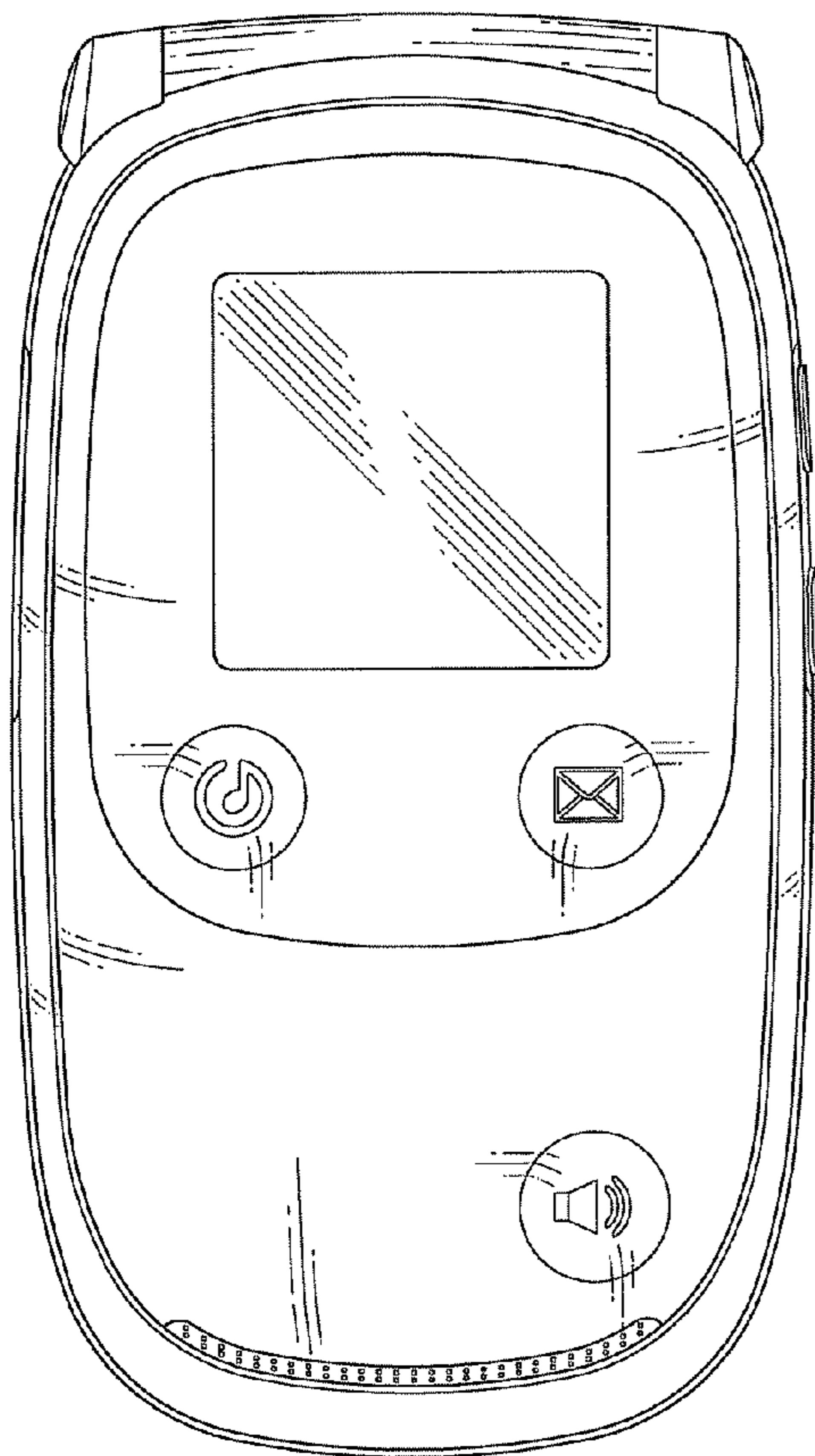


FIG. 3

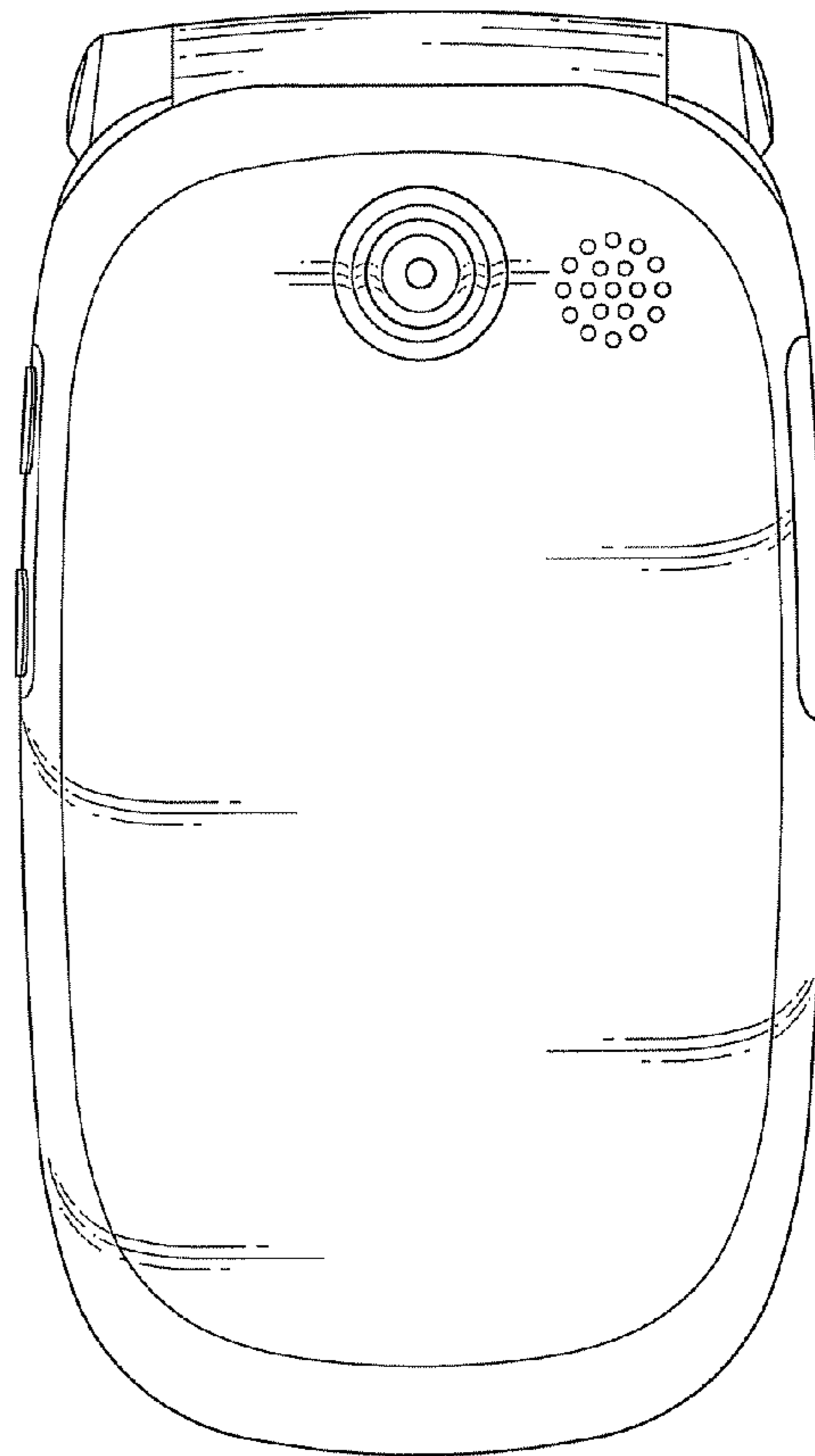


FIG. 4

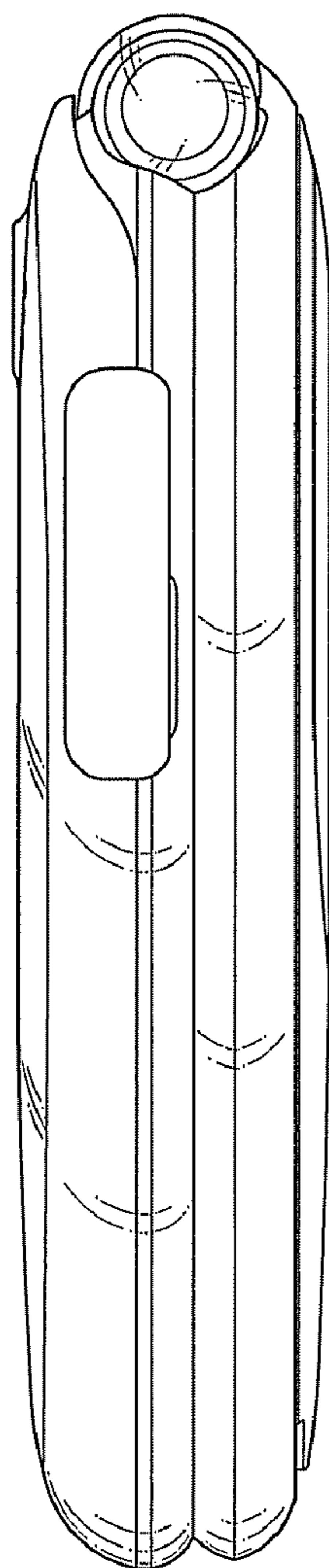


FIG. 5

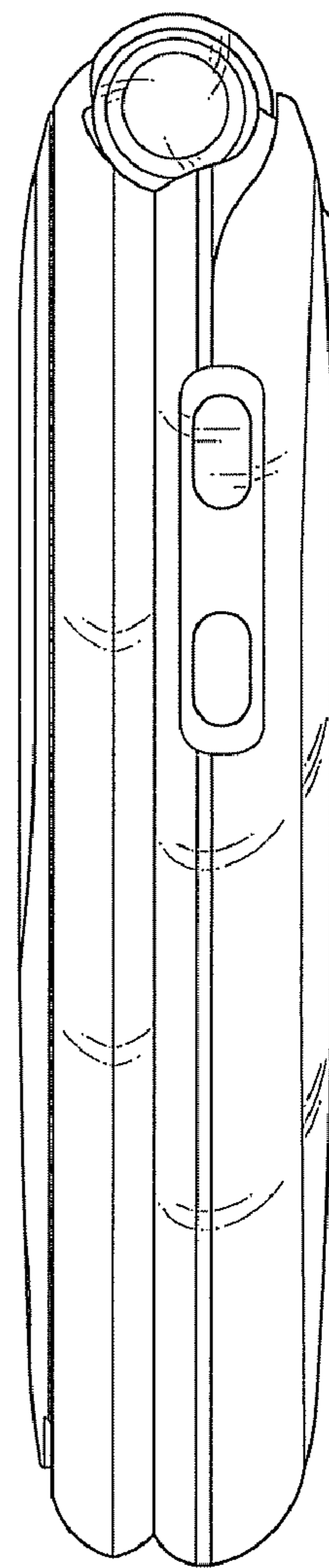


FIG. 6

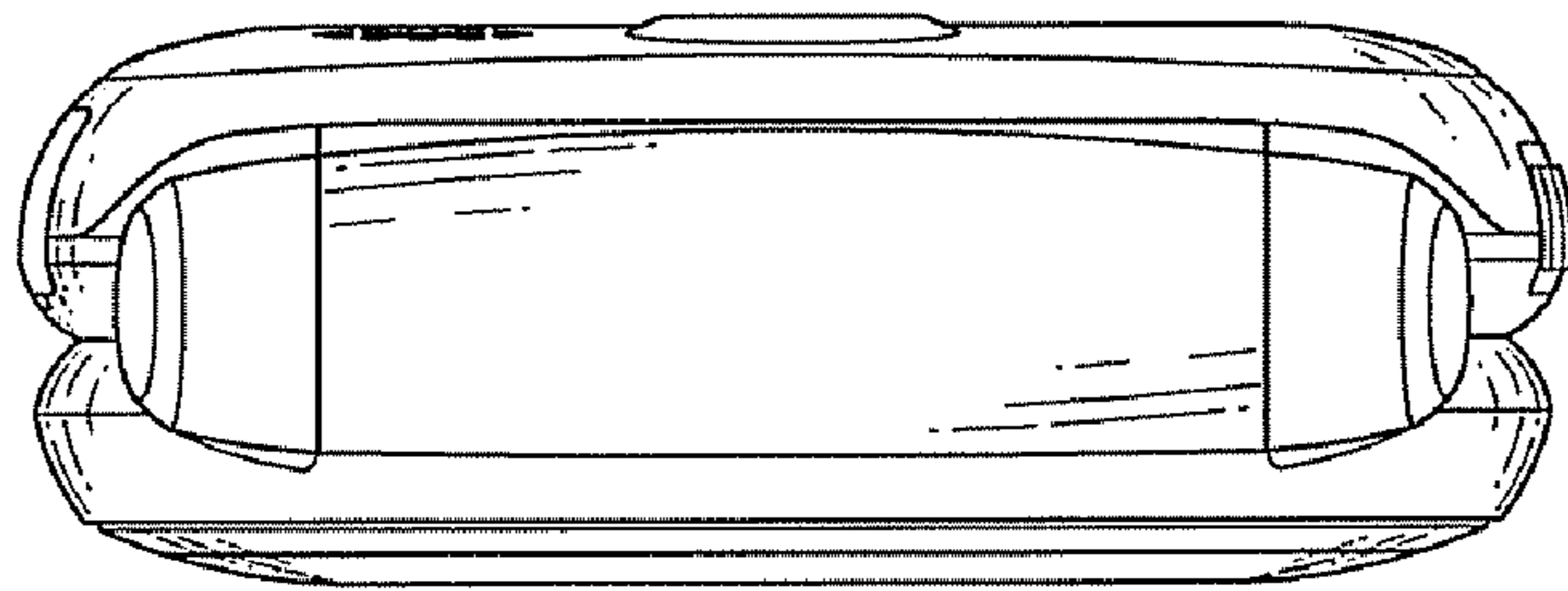


FIG. 7

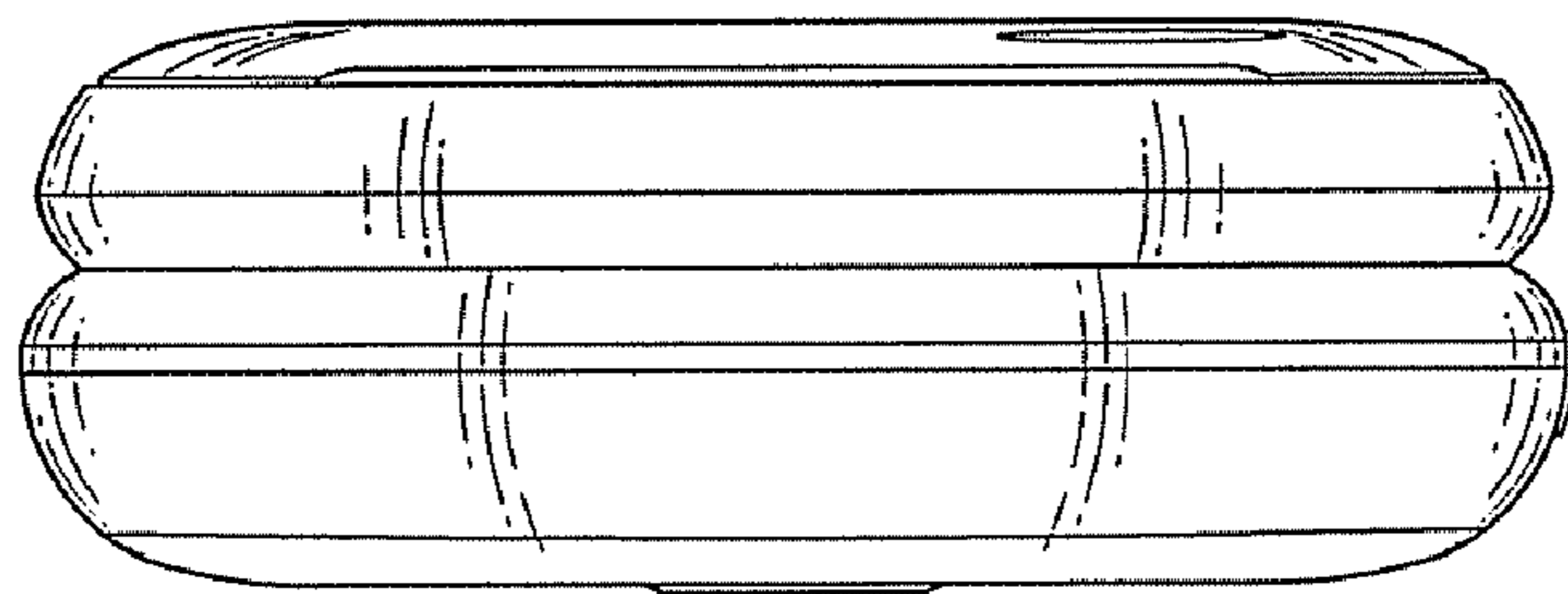


FIG. 8

