



US00D615520S

(12) **United States Design Patent**  
**Kim et al.**

(10) **Patent No.:** **US D615,520 S**

(45) **Date of Patent:** **\*\* May 11, 2010**

(54) **MOBILE PHONE**

(75) Inventors: **Ki-Sung Kim**, Seoul (KR);  
**Young-Keun Lee**, Seoul (KR);  
**Chang-Hwan Hwang**, Goyang-Si (KR)

(73) Assignee: **Samsung Electronics Co., Ltd**, Suwon (KR)

(\*\*) Term: **14 Years**

(21) Appl. No.: **29/340,821**

(22) Filed: **Jul. 27, 2009**

(30) **Foreign Application Priority Data**

May 29, 2009 (KR) ..... 30-2009-0023403

(51) **LOC (9) Cl.** ..... **14-03**

(52) **U.S. Cl.** ..... **D14/138 AA; D14/346; D14/138 AD**

(58) **Field of Classification Search** ..... D14/138 AA, D14/138 R, 138 AD, 138 AB, 341-347, 147, D14/496, 203.3, 203.4, 203.7; 455/575.1, 455/575.4, 556.2

See application file for complete search history.

(56) **References Cited**

**U.S. PATENT DOCUMENTS**

D498,735 S *	11/2004	Chen et al. ....	D14/138 AA
D516,530 S *	3/2006	Boyd .....	D14/138 AA
D524,786 S *	7/2006	Paradise et al. ....	D14/138 AA
D539,775 S *	4/2007	Park et al. ....	D14/138 AA
D543,179 S *	5/2007	Ban Den Nieuwenhuizen et al. ....	D14/138 AA
D545,801 S *	7/2007	Joung .....	D14/138 AA
D546,802 S *	7/2007	Cho et al. ....	D14/138 AA
D559,222 S *	1/2008	Chen .....	D14/138 AA
D572,715 S *	7/2008	Gloschia et al. ....	D14/455
D573,970 S *	7/2008	Park .....	D14/138 AA
D583,352 S *	12/2008	Son et al. ....	D14/138 AA

D584,269 S *	1/2009	Baik et al. ....	D14/138 AA
D593,052 S *	5/2009	Hung .....	D14/138 AA
D596,603 S *	7/2009	Tkachuk .....	D14/138 AA
D597,047 S *	7/2009	Jung et al. ....	D14/138 AA
D598,416 S *	8/2009	Kangasmaa et al. ..	D14/138 AA
D601,116 S *	9/2009	Baik et al. ....	D14/138 AA
D601,117 S *	9/2009	Hong et al. ....	D14/138 AA
D601,530 S *	10/2009	Park et al. ....	D14/138 AA
D601,531 S *	10/2009	Lee et al. ....	D14/138 AA
D601,541 S *	10/2009	Lee et al. ....	D14/138 AA
7,610,069 B2 *	10/2009	Kwak et al. ....	455/575.4

(Continued)

**OTHER PUBLICATIONS**

Samsung T459 Gravity telephone, announced Nov. 2008, [online], [site visited Dec. 16, 2009]. Available from Internet ,<URL: <http://www.gsmarena.com>>.\*

(Continued)

*Primary Examiner*—Jeffrey D Asch

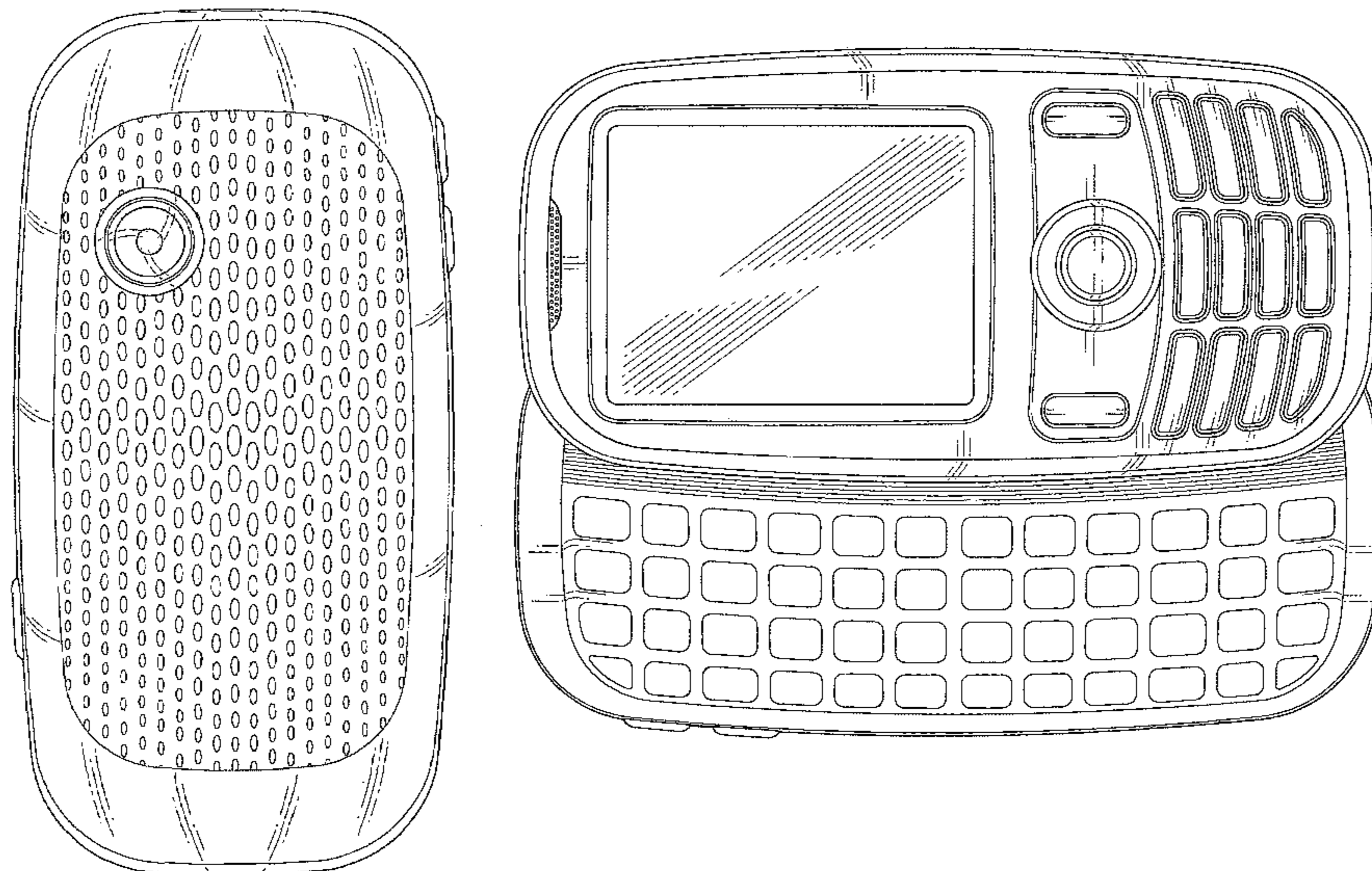
(57) **CLAIM**

The ornamental design for mobile phone, as shown and described.

**DESCRIPTION**

FIG. 1 is a front perspective view of a mobile phone;  
FIG. 2 is a front view of the mobile phone of FIG. 1;  
FIG. 3 is a rear view of the mobile phone of FIG. 1;  
FIG. 4 is a left-side view of the mobile phone of FIG. 1;  
FIG. 5 is a right-side view of the mobile phone of FIG. 1;  
FIG. 6 is a top plan view of the mobile phone of FIG. 1;  
FIG. 7 is a bottom plan view of the mobile phone of FIG. 1;  
and,  
FIG. 8 is a front slid open view of the mobile phone of FIG. 1.

**1 Claim, 5 Drawing Sheets**



U.S. PATENT DOCUMENTS

D605,644 S \* 12/2009 Stone et al. .... D14/248  
2006/0073859 A1\* 4/2006 Chou ..... 455/575.4

OTHER PUBLICATIONS

Samsung T469 Gravity 2 telephone, announced Jul. 2009, [online], [site visited Dec. 16, 2009]. Available from Internet ,<URL: <http://www.gsmarena.com>>.\*

Samsung T401G telephone, announced Oct. 2009, [online], [site visited Dec. 16, 2009]. Available from Internet ,<URL: <http://www.gsmarena.com>>.\*

HTC S710 telephone, announced Feb. 2007, [online], [site visited Dec. 16, 2009]. Available from Internet ,<URL: <http://www.gsmarena.com>>.\*

Nokia E75 telephone, announced Feb. 2009, [online], [site visited Dec. 16, 2009]. Available from Internet ,<URL: <http://www.gsmarena.com>>.\*

Nokia 5730 XpressMusic telephone, announced Mar. 2009, [online], [site visited Dec. 16, 2009]. Available from Internet ,<URL: <http://www.gsmarena.com>>.\*

\* cited by examiner

FIG. 1

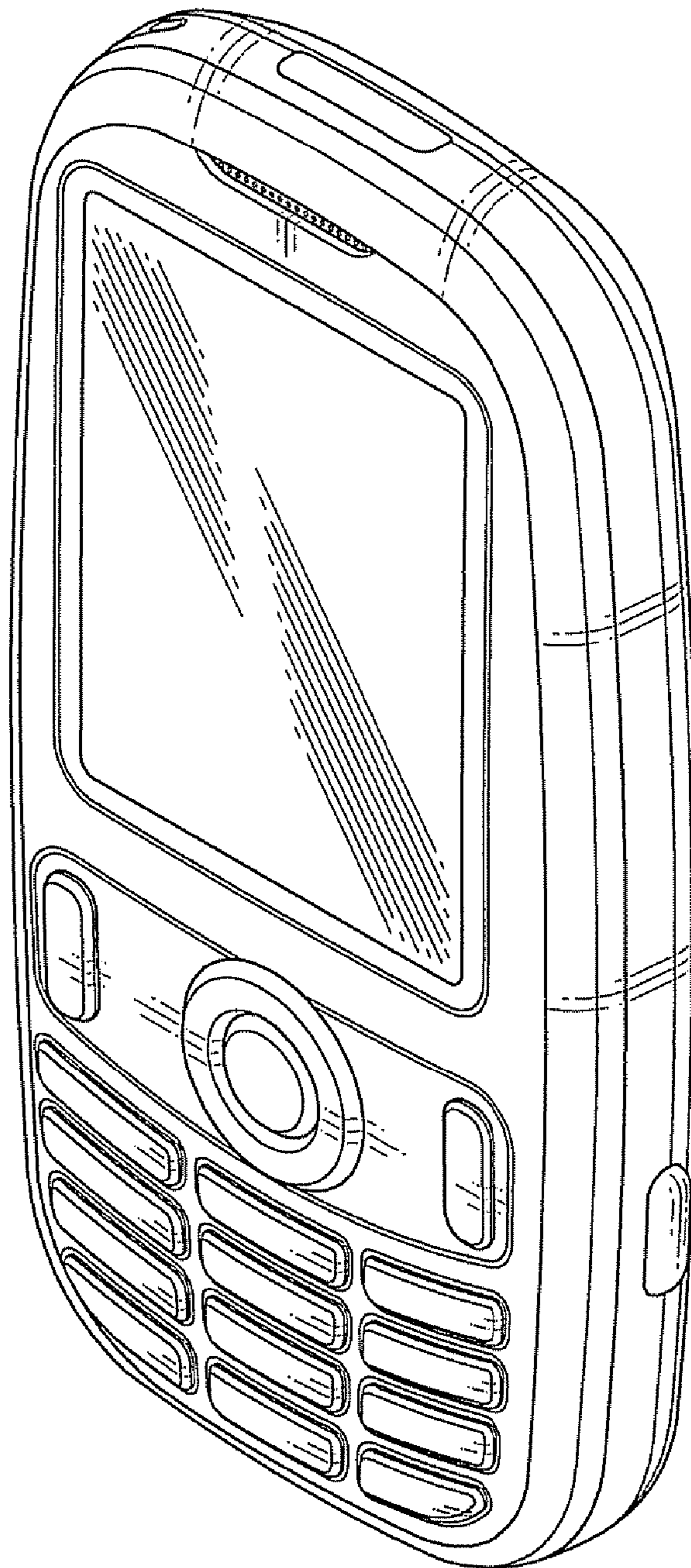


FIG. 2

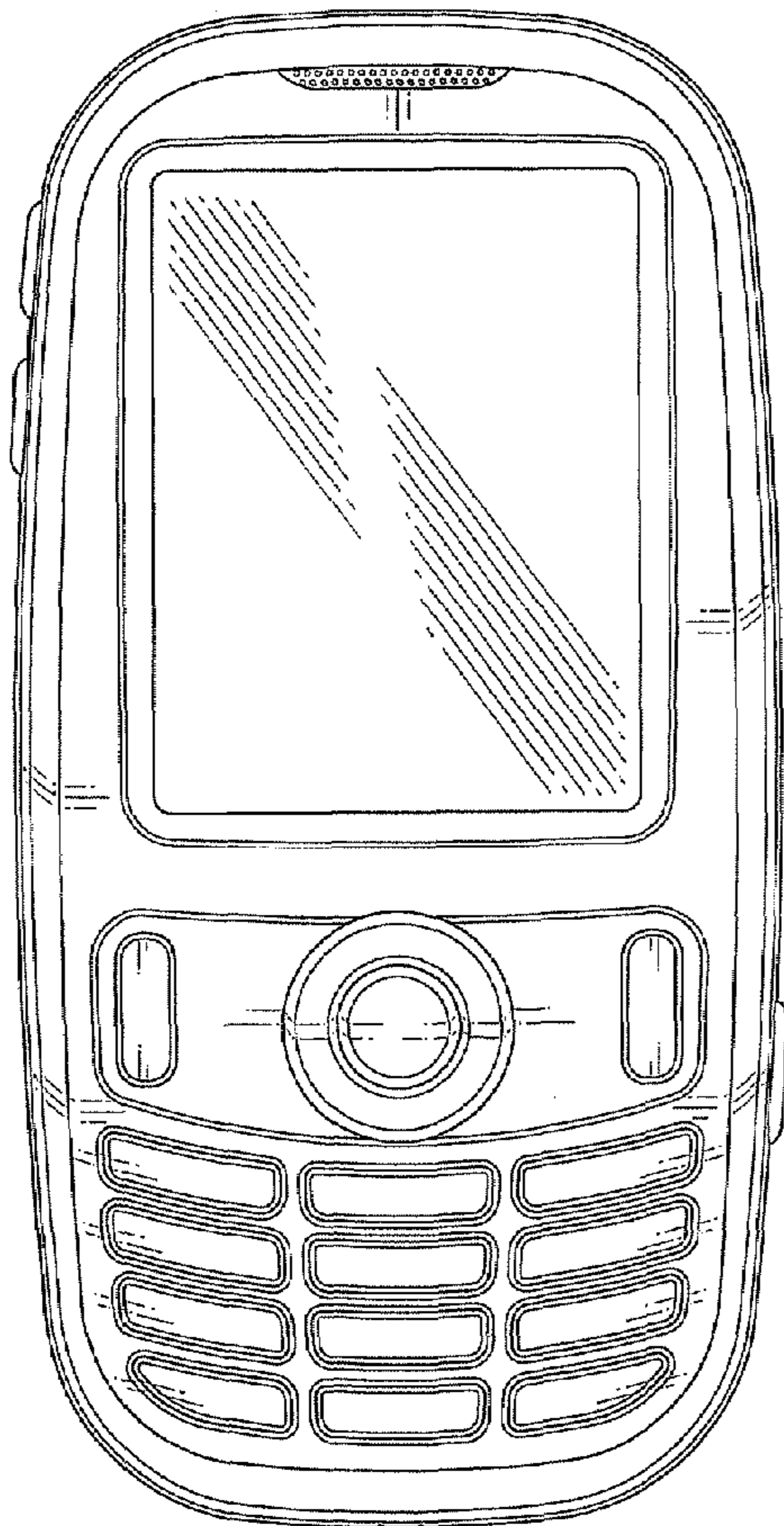


FIG. 3

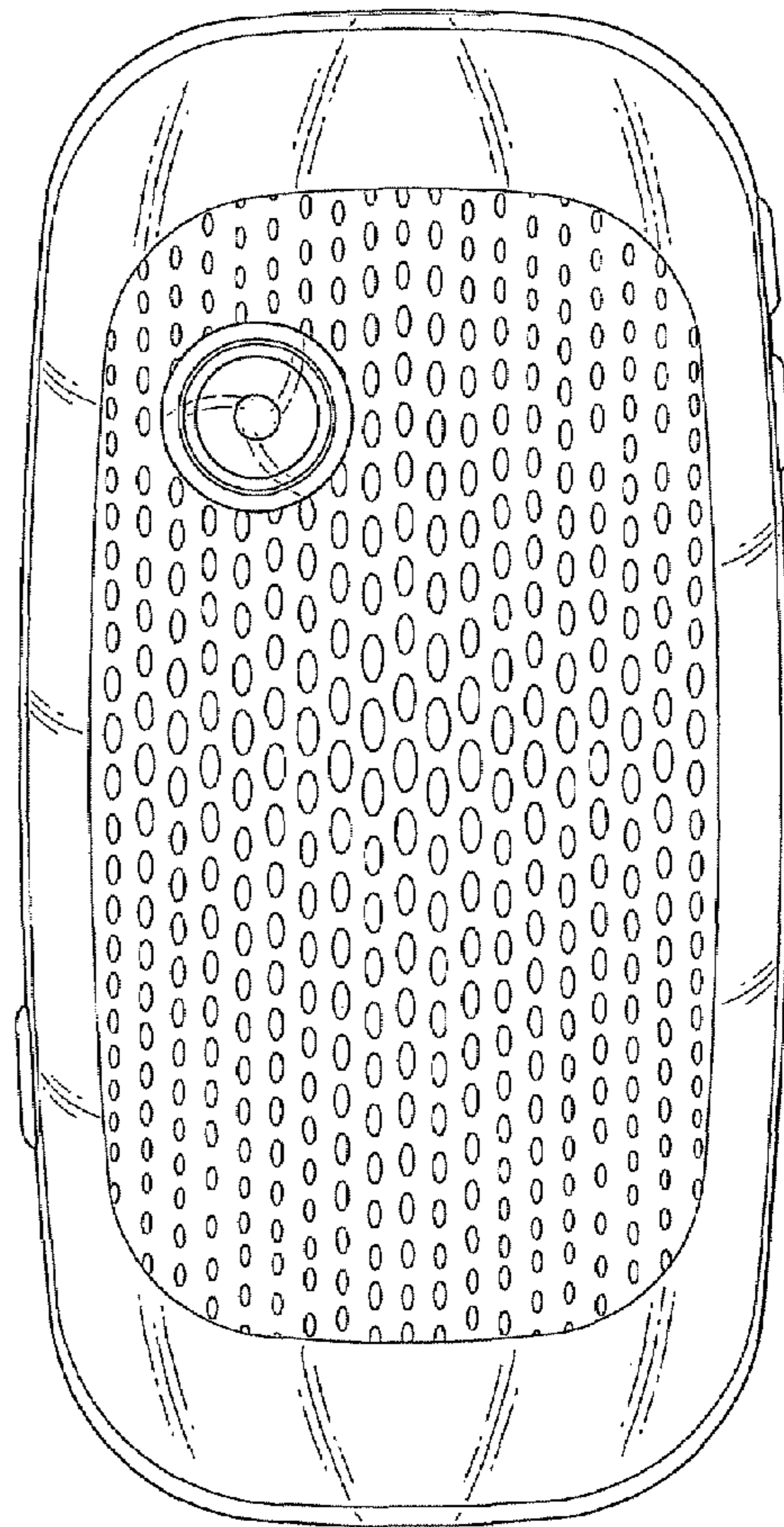


FIG. 4

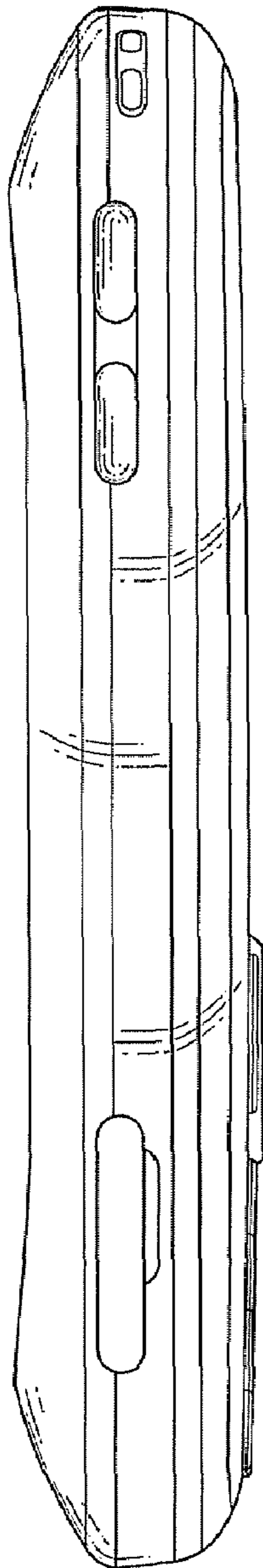


FIG. 5

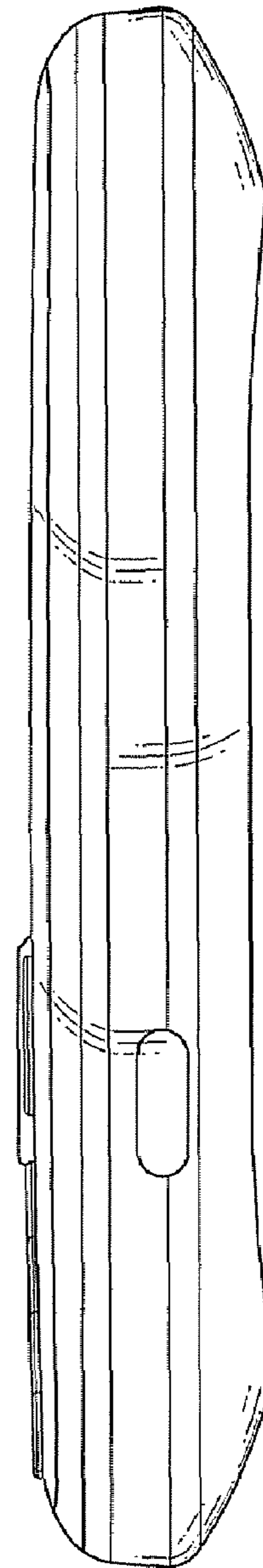


FIG. 6

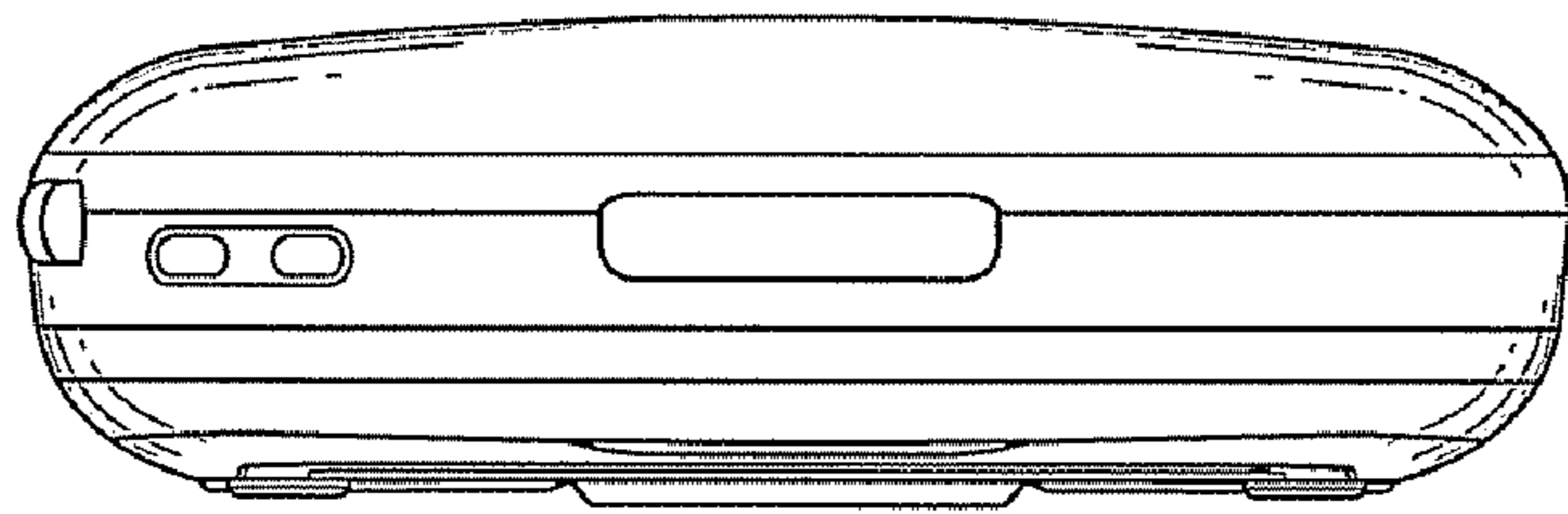


FIG. 7

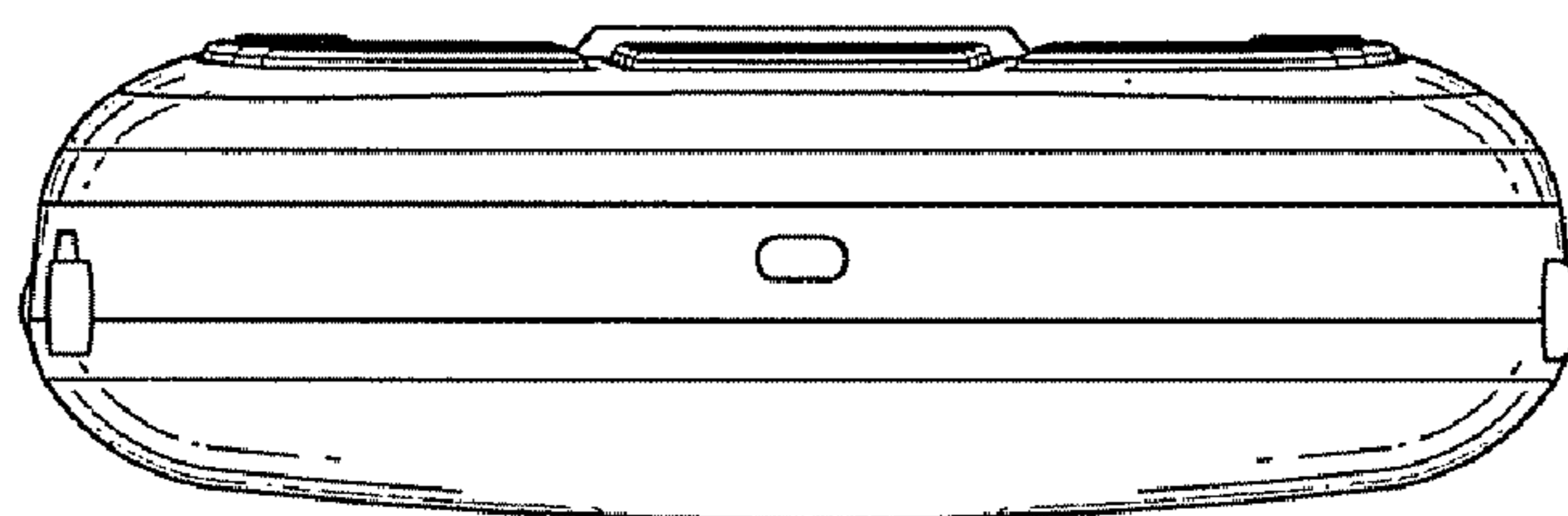


FIG. 8

