

US00D615507S

(12) **United States Design Patent**
Koza et al.

(10) **Patent No.:** **US D615,507 S**
(45) **Date of Patent:** **** May 11, 2010**

(54) **IMAGE VIEWER**

(75) Inventors: **Michelle Koza**, Los Angeles, CA (US);
Fumiya Matsuoka, Rancho Palos
Verdes, CA (US)

(73) Assignees: **Sony Corporation**, Tokyo (JP); **Sony**
Electronics Inc., Park Ridge, NJ (US)

(**) Term: **14 Years**

(21) Appl. No.: **29/295,810**

(22) Filed: **Oct. 8, 2007**

(51) **LOC (9) Cl.** **14-03**

(52) **U.S. Cl.** **D14/126**

(58) **Field of Classification Search** D14/125-134,
D14/239, 371, 136, 374-377, 440, 450, 448,
D14/336, 342; 312/7.2; 348/836, 838, 180,
348/184, 325, 739; 341/12; 248/917-924,
248/465; 345/104, 133, 156, 168, 87, 173;
720/605, 669, 600, 655; 369/99, 197; D21/329,
D21/515, 577, 622, 333, 433, 448, 452, 450,
D21/331; D3/477, 479; 273/148 B; 446/484,
446/175, 356; D10/15, 26
See application file for complete search history.

(56) **References Cited**

U.S. PATENT DOCUMENTS

3,794,399 A * 2/1974 Conner et al. 312/244

D293,108 S * 12/1987 Brion D14/126
D306,161 S * 2/1990 Grange et al. D14/382
D318,659 S * 7/1991 Yamazaki D14/126
D324,382 S * 3/1992 Menei D14/126
5,537,127 A * 7/1996 Jingu 345/1.3
D379,091 S * 5/1997 Boyd D14/126
D391,240 S * 2/1998 Pfeifer et al. D14/379
D391,936 S * 3/1998 Usui et al. D14/375
D433,394 S * 11/2000 Suzuki D14/126
D565,527 S * 4/2008 Riggs D14/129

* cited by examiner

Primary Examiner—Raphael Barkai

(74) *Attorney, Agent, or Firm*—John L. Rogitz

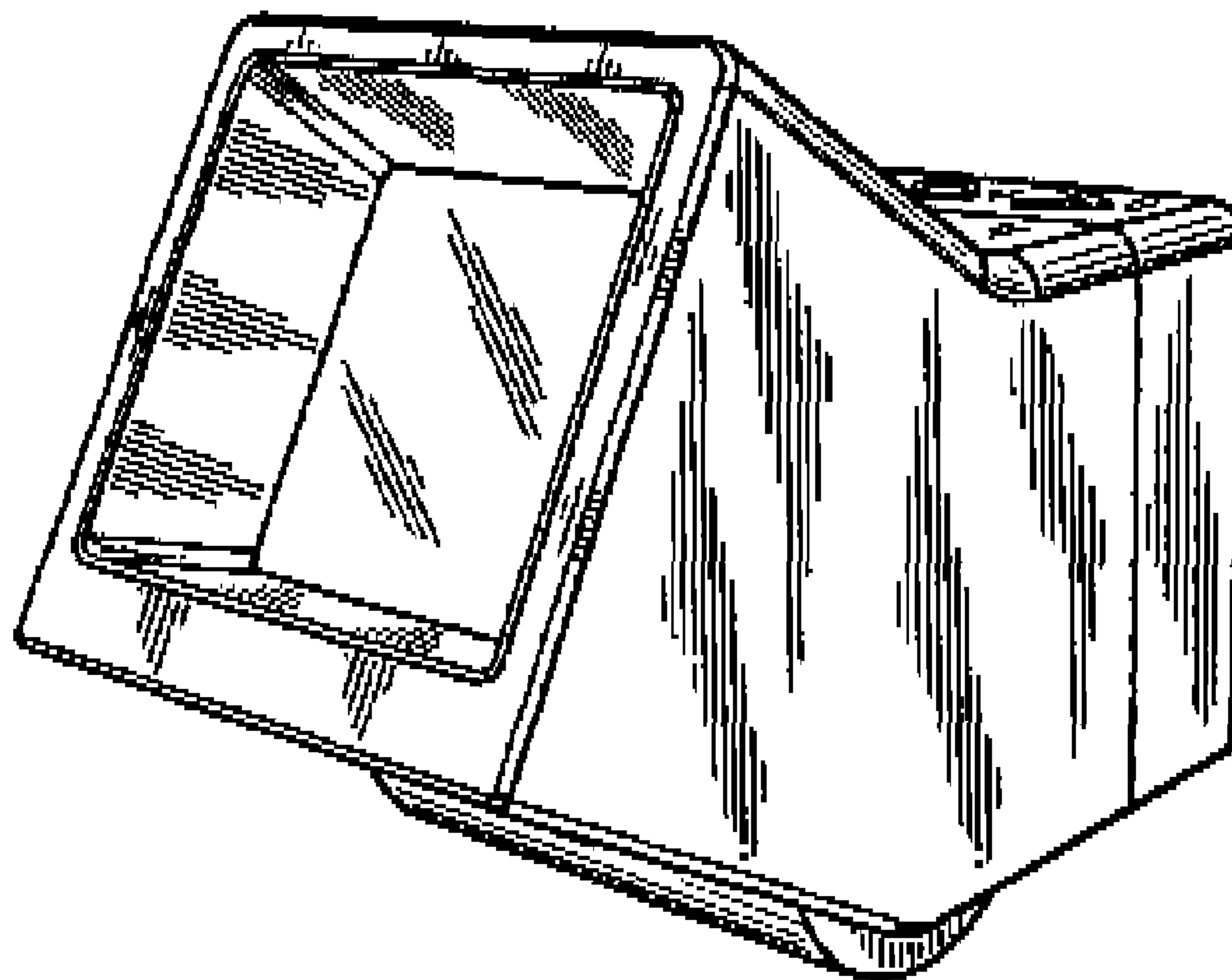
(57) **CLAIM**

The ornamental design for the image viewer, as shown and described.

DESCRIPTION

FIG. 1 is a perspective view of the image viewer;
FIG. 2 is a top plan view of the image viewer;
FIG. 3 is a bottom plan view of the image viewer;
FIG. 4 is a left side elevational view of the image viewer;
FIG. 5 is a right side elevational view of the image viewer;
FIG. 6 is a front view of the image viewer; and,
FIG. 7 is a back view of the image viewer.

1 Claim, 2 Drawing Sheets



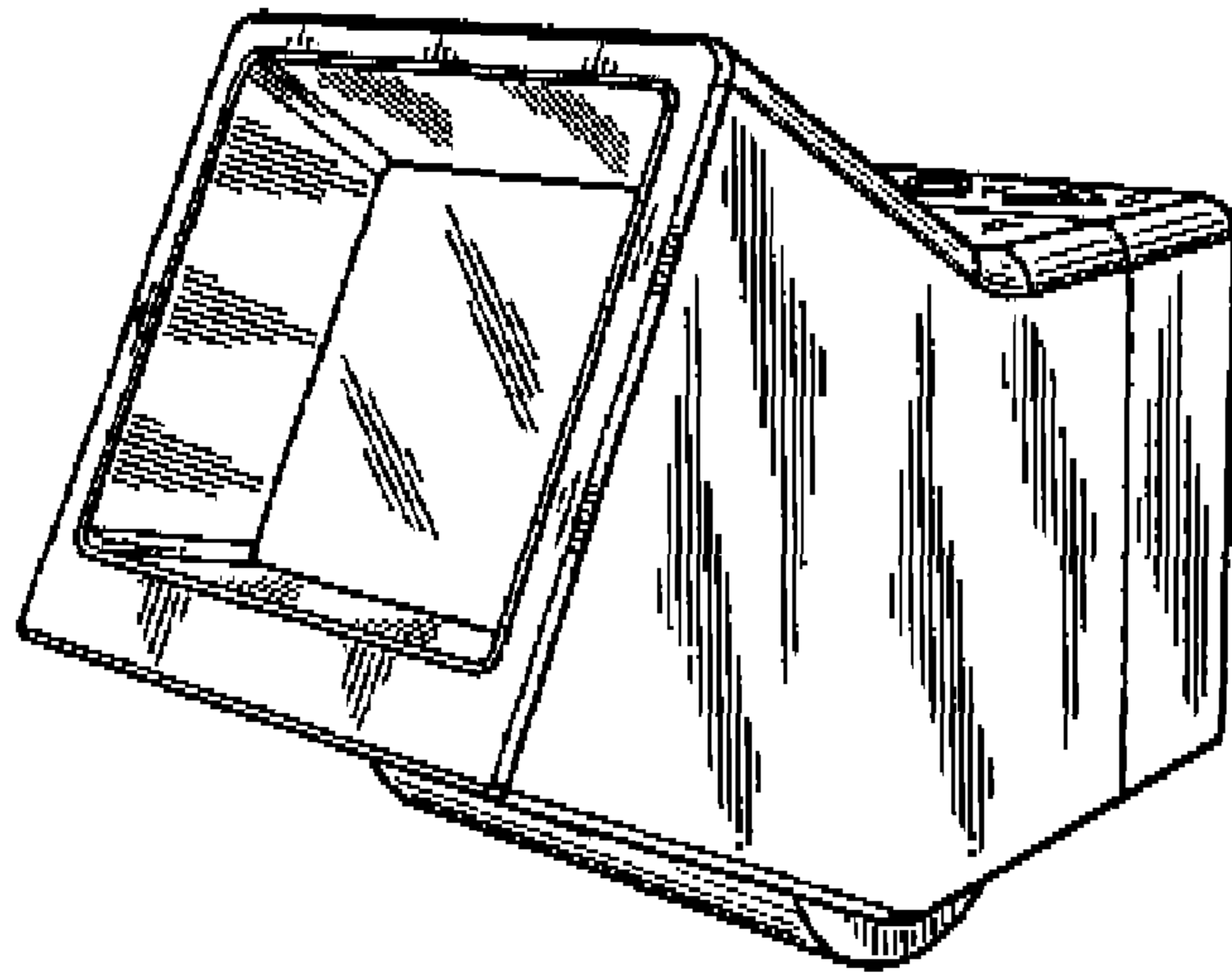


Figure 1

Figure 2

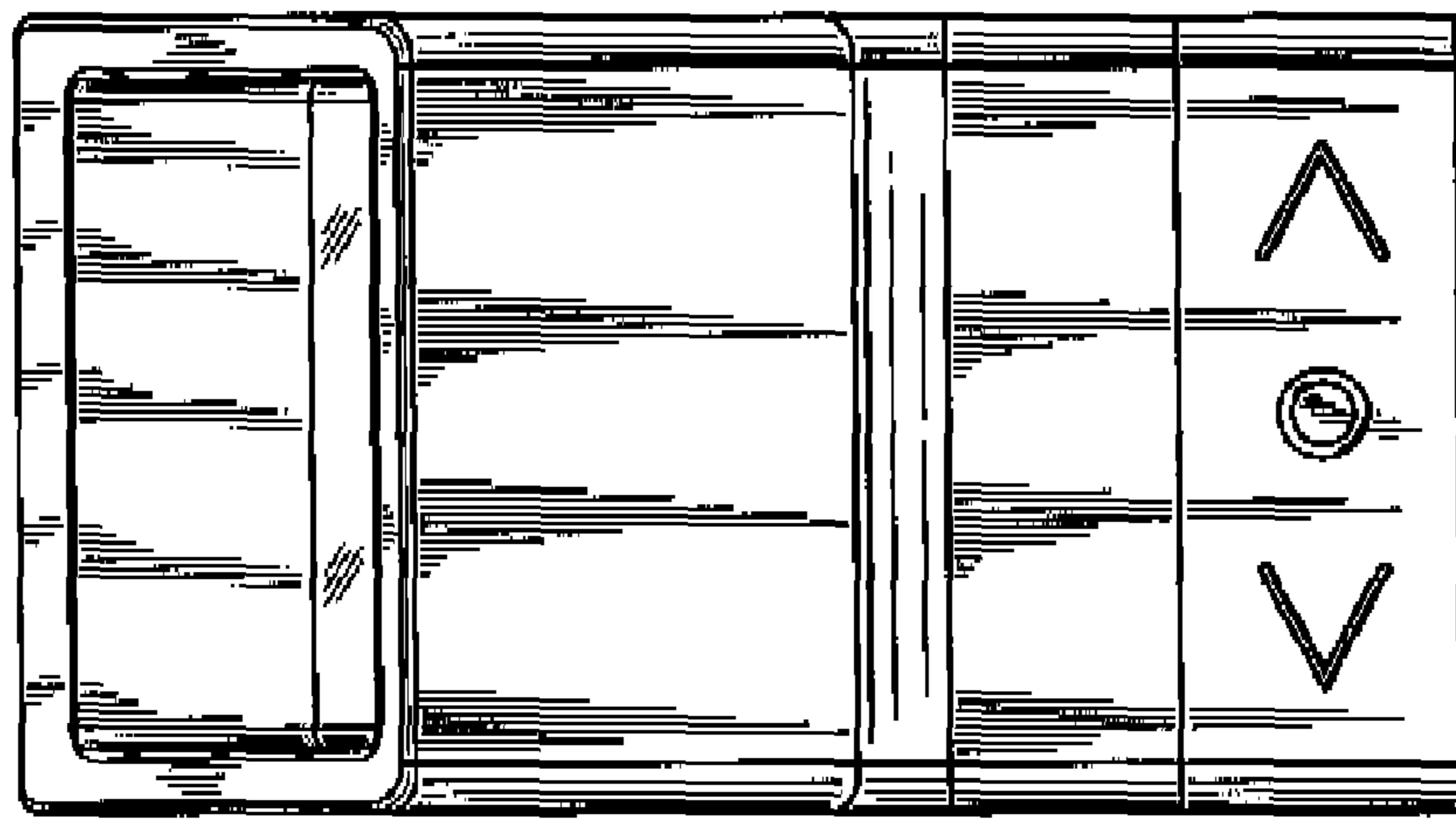


Figure 3

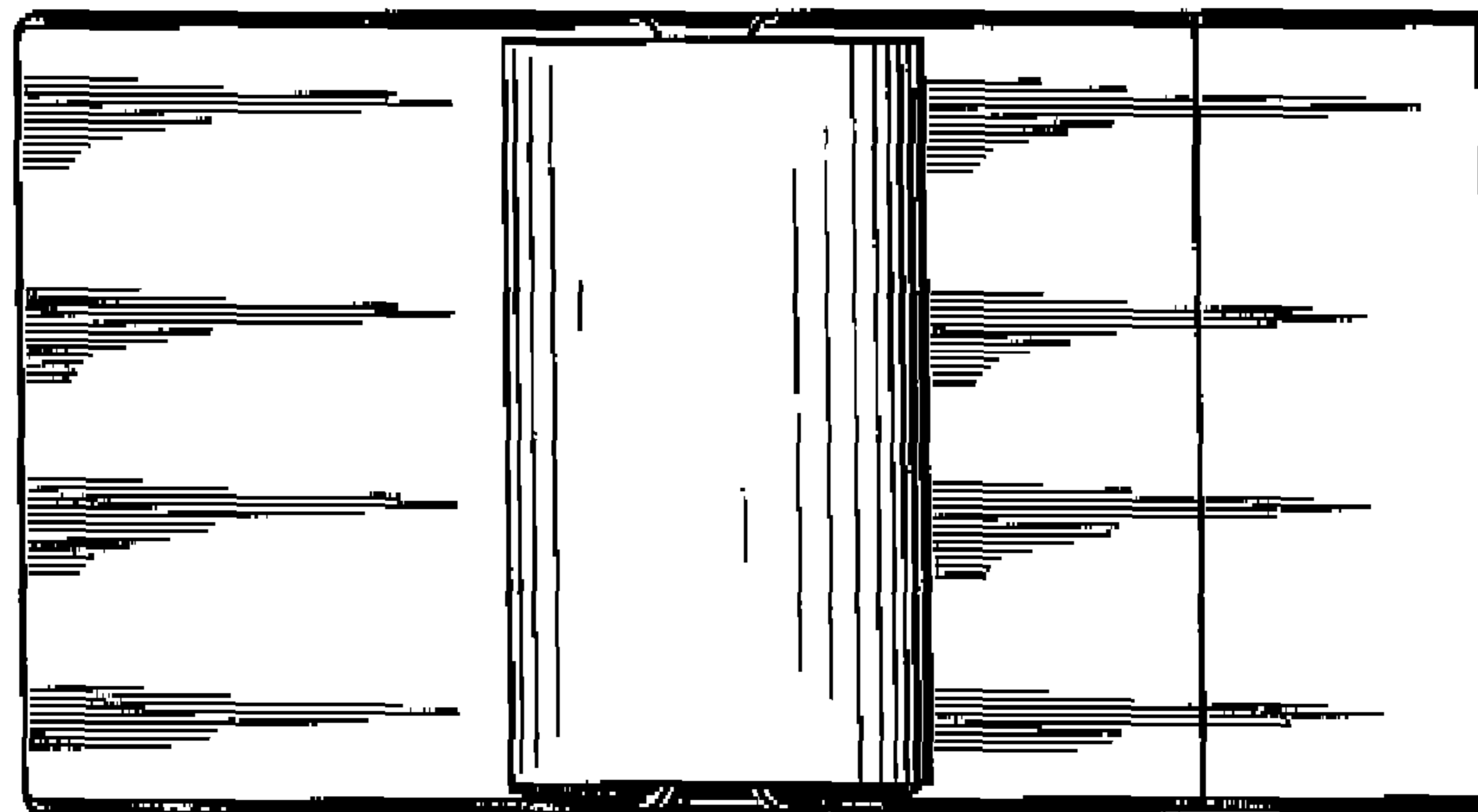


Figure 4

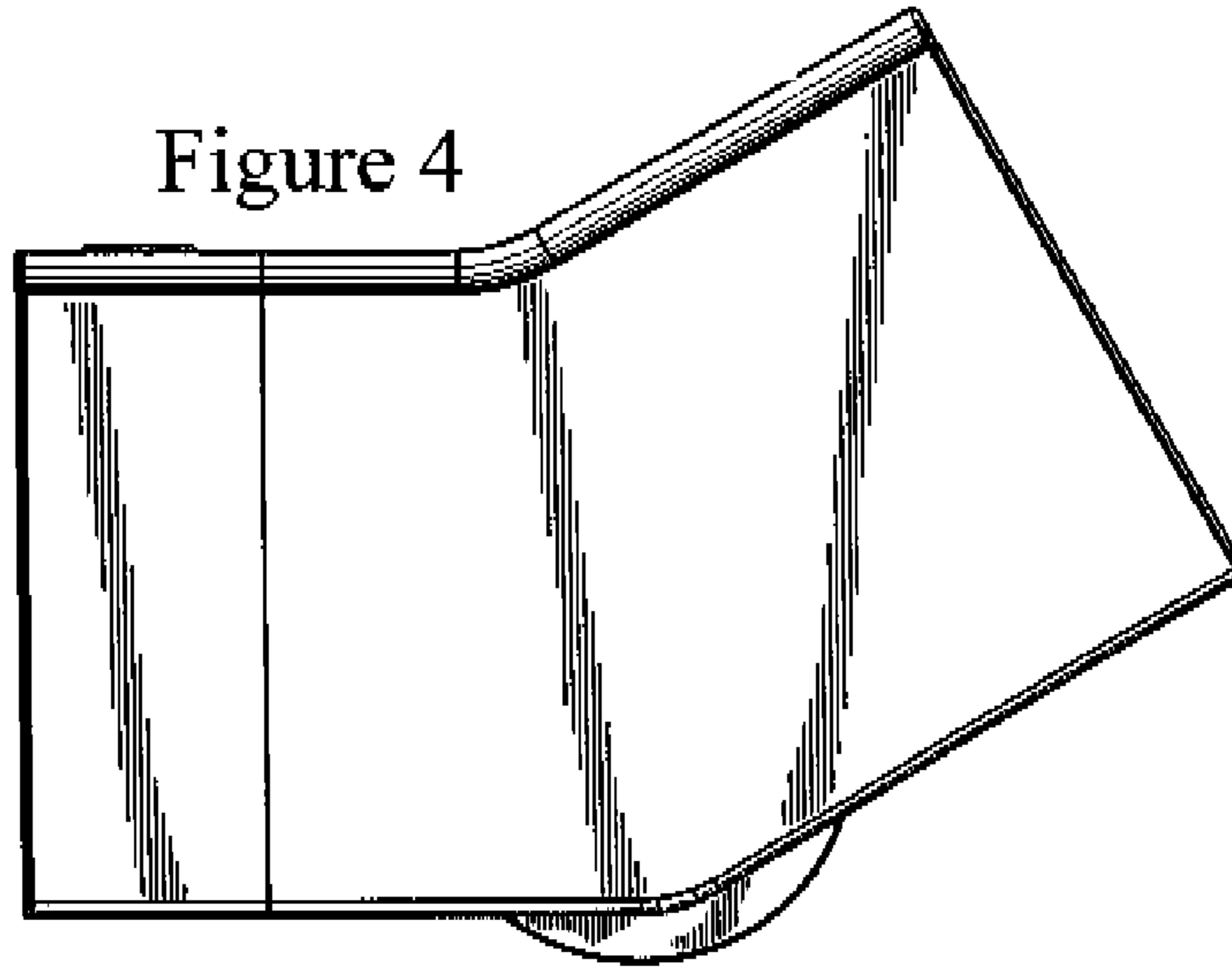


Figure 5

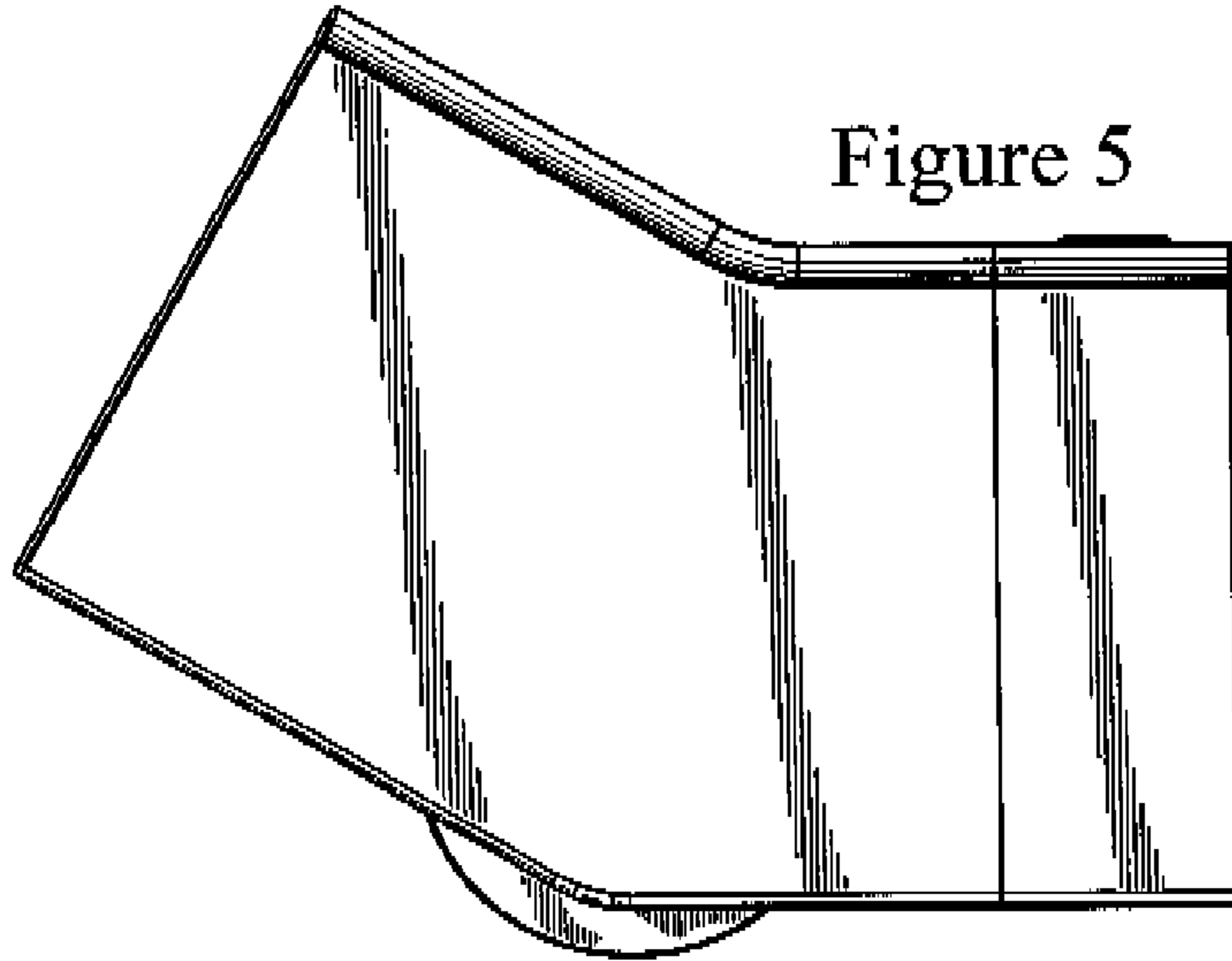


Figure 6

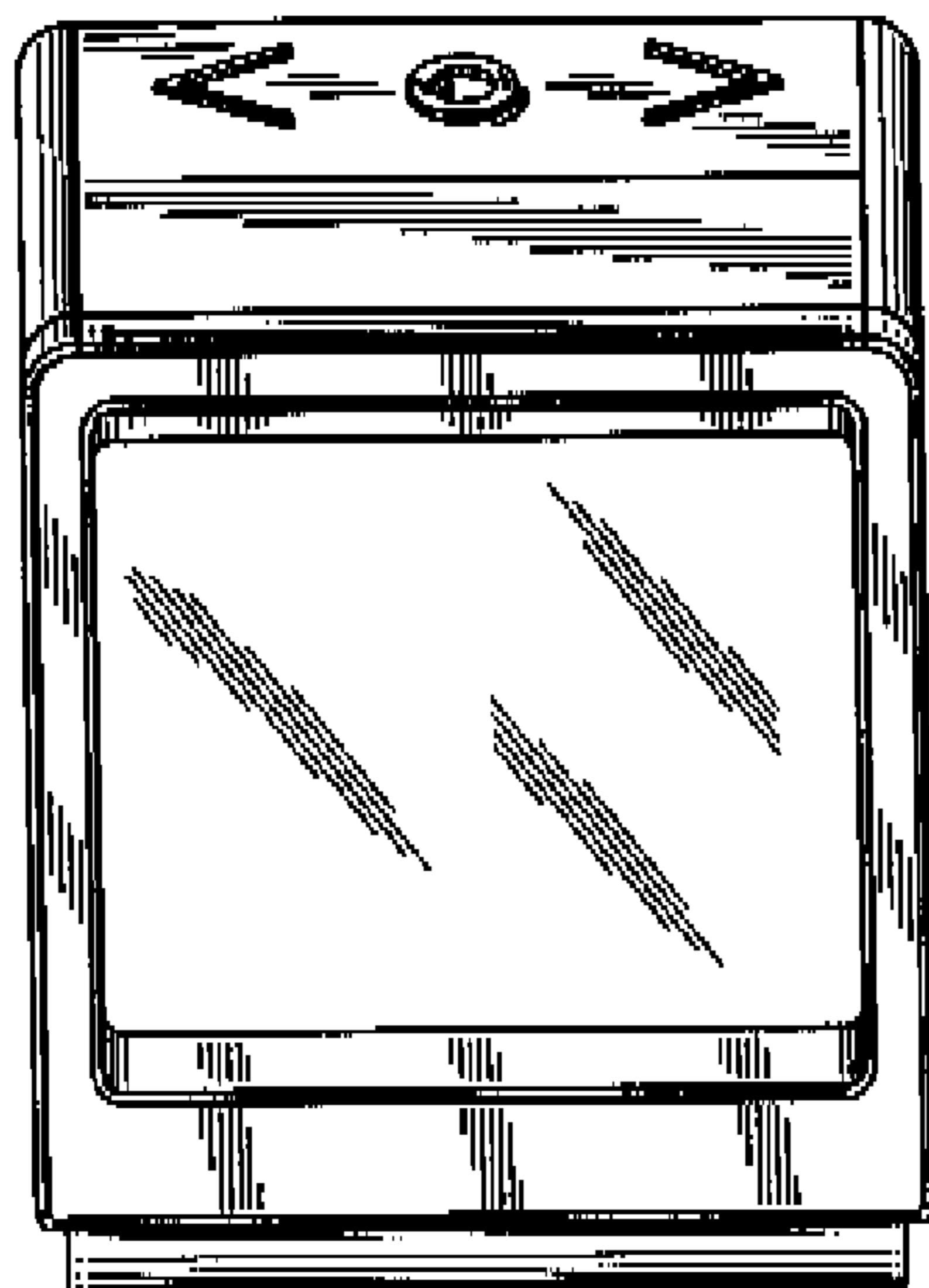


Figure 7

