



US00D615506S

(12) **United States Design Patent**
Eide et al.

(10) **Patent No.:** **US D615,506 S**
(45) **Date of Patent:** **** May 11, 2010**

(54) **INTEGRATED ENERGY MANAGEMENT SYSTEM**

(75) Inventors: **Andrew Eide**, Rockwall, TX (US);
Thomas Edwin Greene, Jr.,
Morristown, TN (US)

(73) Assignee: **DBG Group Investments, LLC**, Dallas,
TX (US)

(**) Term: **14 Years**

(21) Appl. No.: **29/339,058**

(22) Filed: **Jun. 23, 2009**

(51) **LOC (9) Cl.** **13-03**

(52) **U.S. Cl.** **D13/182**

(58) **Field of Classification Search** D13/162,
D13/164, 173, 177, 180, 182, 184, 199;
D8/353; D10/103; 174/58, 66, 77, 250,
174/253, 255; 200/339; 220/241; 29/829;
361/720, 749, 760, 776, 820

See application file for complete search history.

(56) **References Cited**

U.S. PATENT DOCUMENTS

4,807,083	A	2/1989	Austin	
4,922,366	A	5/1990	Van Dick	
D328,599	S *	8/1992	Gloton	D14/437
5,384,428	A	1/1995	Luu	
5,625,521	A	4/1997	Luu	
5,731,942	A	3/1998	Raviele	
D397,093	S	8/1998	Kim	
5,978,198	A	11/1999	Packard	
D442,149	S	5/2001	Kang	
D442,567	S	5/2001	Kang	
D457,146	S *	5/2002	Yamamoto et al.	D13/182
6,459,559	B1	10/2002	Christofersen	
D471,167	S *	3/2003	Ebihara et al.	D13/182
6,535,369	B1	3/2003	Redding et al.	
6,614,636	B1	9/2003	Marsh	
6,683,770	B1	1/2004	Marsh	
6,751,837	B2 *	6/2004	Prasher	29/428
6,816,352	B2	11/2004	Hoopes	

6,829,129	B2	12/2004	Marsh et al.	
6,876,533	B1	4/2005	Ryan	
D510,728	S *	10/2005	Celaya et al.	D13/182
6,992,873	B2	1/2006	Lewis	
D521,952	S *	5/2006	Yamada et al.	D13/182
D522,471	S *	6/2006	Sisson	D13/182
D522,979	S *	6/2006	Sisson	D13/182
7,142,402	B1	11/2006	Chaudhry	
D539,761	S *	4/2007	Takahashi et al.	D13/182
7,271,991	B2	9/2007	Hoopes	
D552,048	S	10/2007	He	
D557,668	S *	12/2007	Sisson	D13/182
D570,307	S	6/2008	Kobayashi et al.	
7,417,841	B2	8/2008	Hotchkiss	
7,453,681	B2	11/2008	Ho	
7,505,241	B2	3/2009	McLoughlin	
2003/0043519	A1	3/2003	Wu	

(Continued)

FOREIGN PATENT DOCUMENTS

JP 2006-179842 7/2006

Primary Examiner—Daniel D Bui

Assistant Examiner—Thomas J Johannes

(74) *Attorney, Agent, or Firm*—Klemchuk Kubasta LLP;
Darin M. Klemchuk

(57) **CLAIM**

An ornamental design for an integrated energy management system, as shown and described.

DESCRIPTION

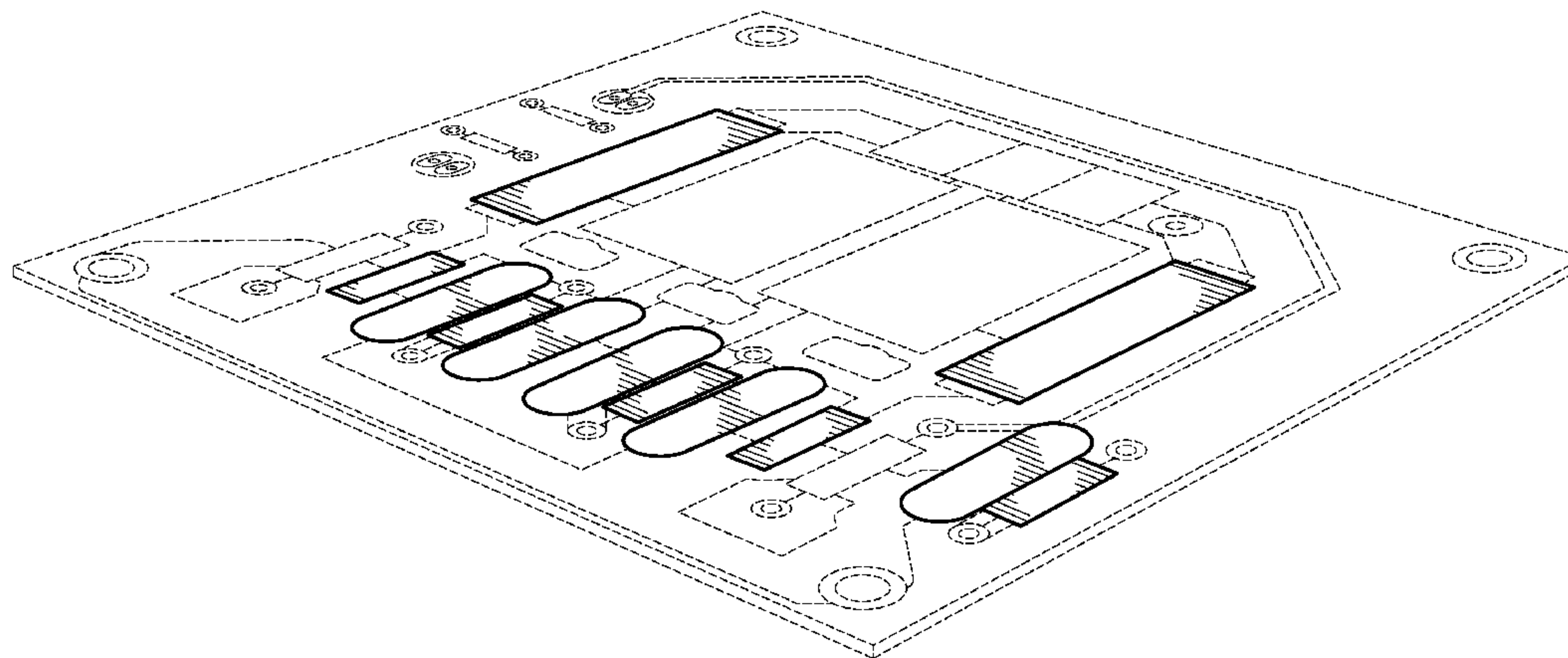
FIG. 1 is a front perspective view of an integrated energy management system showing our new design;

FIG. 2 is a front elevation view thereof; and,

FIG. 3 is a rear elevation view thereof.

The broken lines shown on FIGS. 1–3 show unclaimed detail only and form no part of the claimed design.

1 Claim, 3 Drawing Sheets



US D615,506 S

Page 2

U.S. PATENT DOCUMENTS

2003/0151874 A1 8/2003 Schipp
2006/0056127 A1 3/2006 Lewis
2007/0024264 A1 2/2007 Lestician
2007/0159757 A1 7/2007 Moffatt

2007/0217111 A1 9/2007 Tseng
2009/0027153 A1 1/2009 Ho
2009/0052120 A1 2/2009 Weeks et al.
2009/0088405 A1 4/2009 Xu

* cited by examiner

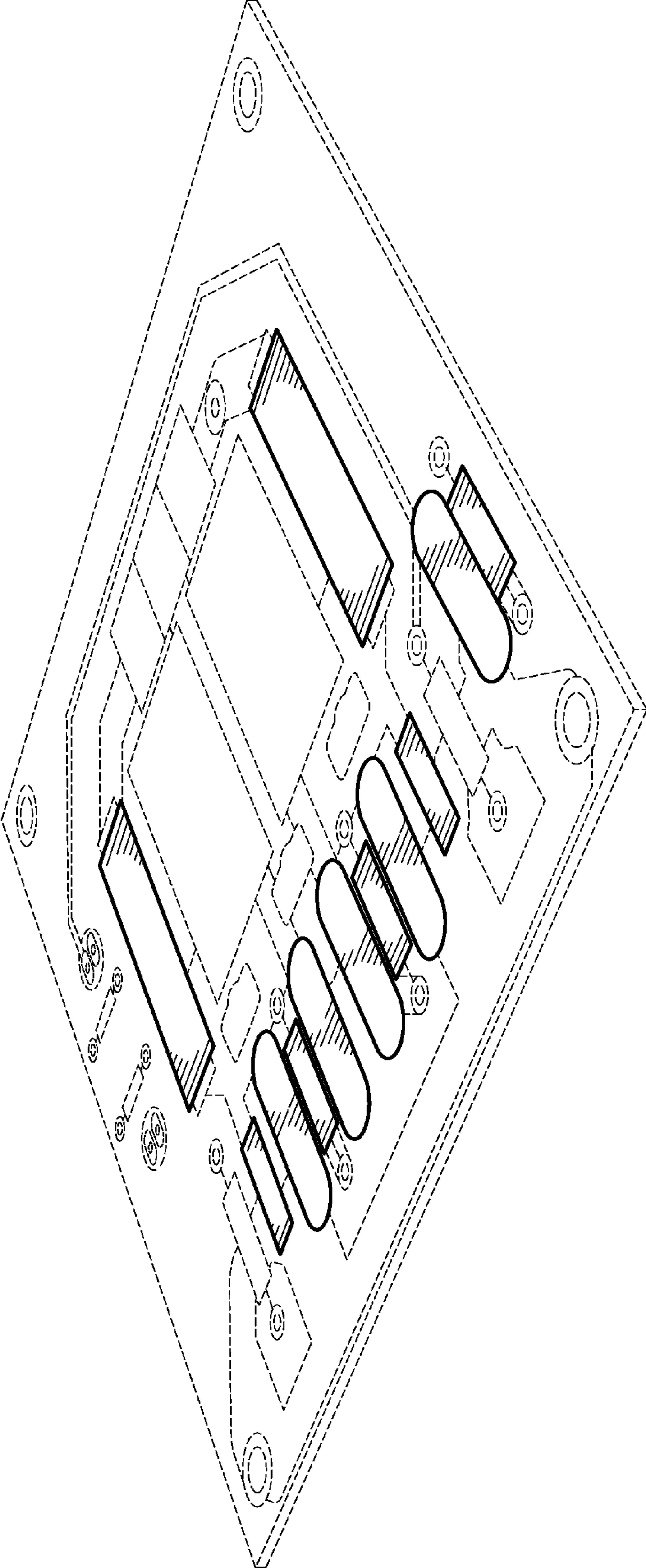


FIG. 1

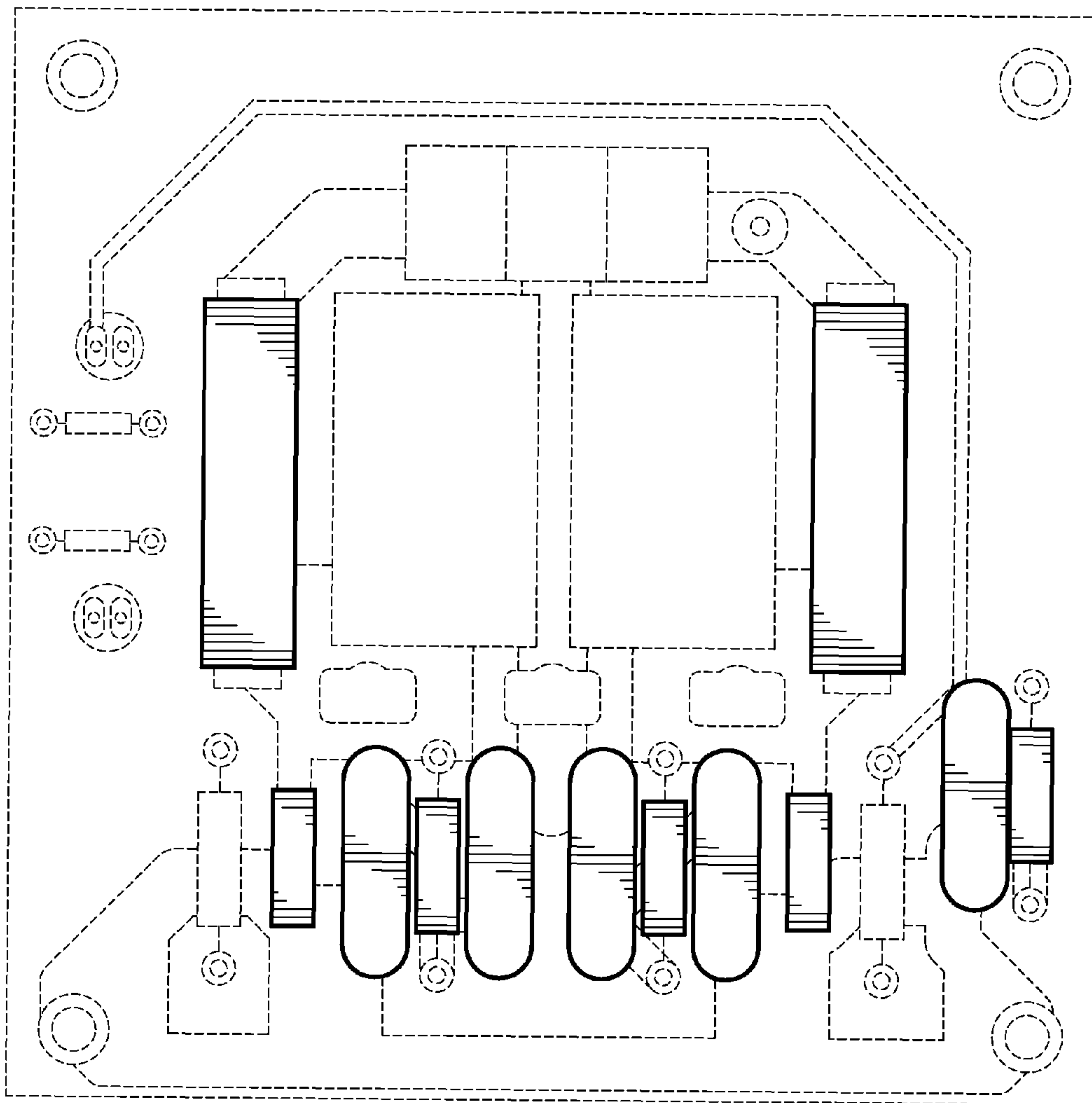


FIG. 2

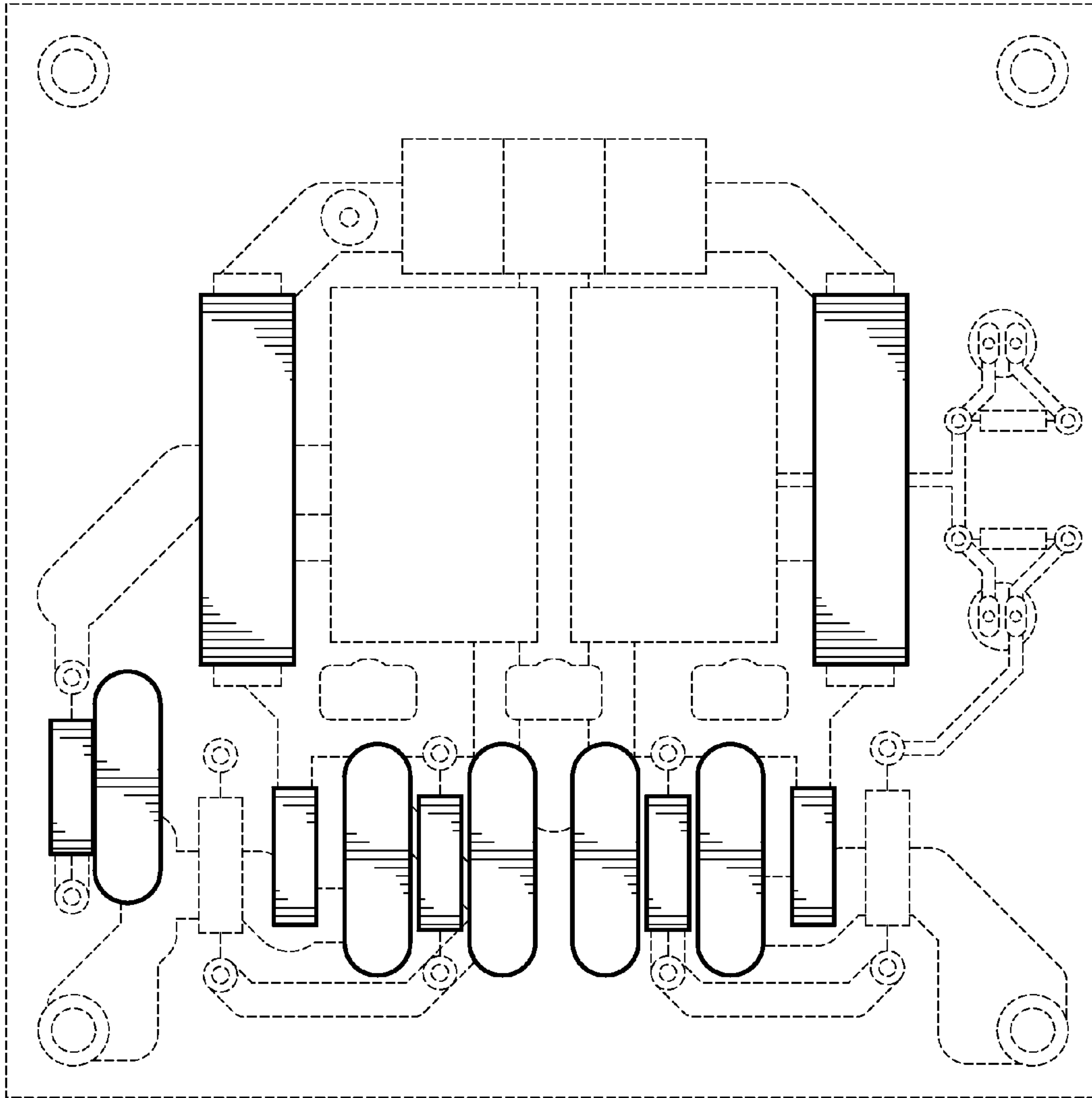


FIG. 3