



US00D615499S

(12) **United States Design Patent**
Liu et al.

(10) **Patent No.:** **US D615,499 S**

(45) **Date of Patent:** **** May 11, 2010**

(54) **PLUG CONNECTOR**

(75) Inventors: **Ta-Wei Liu**, Taoyuan County (TW);
Chih-Wei Tu, Taoyuan County (TW)

(73) Assignee: **HTC Corporation**, Taoyuan County
(TW)

(**) Term: **14 Years**

(21) Appl. No.: **29/341,596**

(22) Filed: **Aug. 10, 2009**

(30) **Foreign Application Priority Data**

May 27, 2009 (TW) 98302474
May 27, 2009 (TW) 98302475

(51) **LOC (9) Cl.** **13-03**

(52) **U.S. Cl.** **D13/154**

(58) **Field of Classification Search** D13/147,
D13/154, 184; 439/108, 476.1, 483, 527,
439/533, 607-610, 892, 894

See application file for complete search history.

(56) **References Cited**

U.S. PATENT DOCUMENTS

D521,937 S * 5/2006 Nishio et al. D13/147
D525,943 S * 8/2006 Huang et al. D13/147
D552,547 S * 10/2007 Nishio et al. D13/133
D568,823 S * 5/2008 Ashida et al. D13/154

* cited by examiner

Primary Examiner—Daniel D Bui

(74) *Attorney, Agent, or Firm*—Jianq Chyun IP Office

(57) **CLAIM**

The ornamental design for a plug connector, as shown and described.

DESCRIPTION

FIG. 1 is a perspective view of a plug connector showing our new design.

FIG. 2 is a front view thereof.

FIG. 3 is a rear view thereof.

FIG. 4 is a left side view thereof.

FIG. 5 is a right side view thereof.

FIG. 6 is an enlarged right side view thereof.

FIG. 7 is a top view thereof.

FIG. 8 is a bottom view thereof.

FIG. 9 is another perspective view thereof.

FIG. 10 is a cross-sectional view taken along line 10—10 in FIG. 6 in a smaller scale than that in FIG. 6.

FIG. 11 is a bottom perspective view thereof, in used condition.

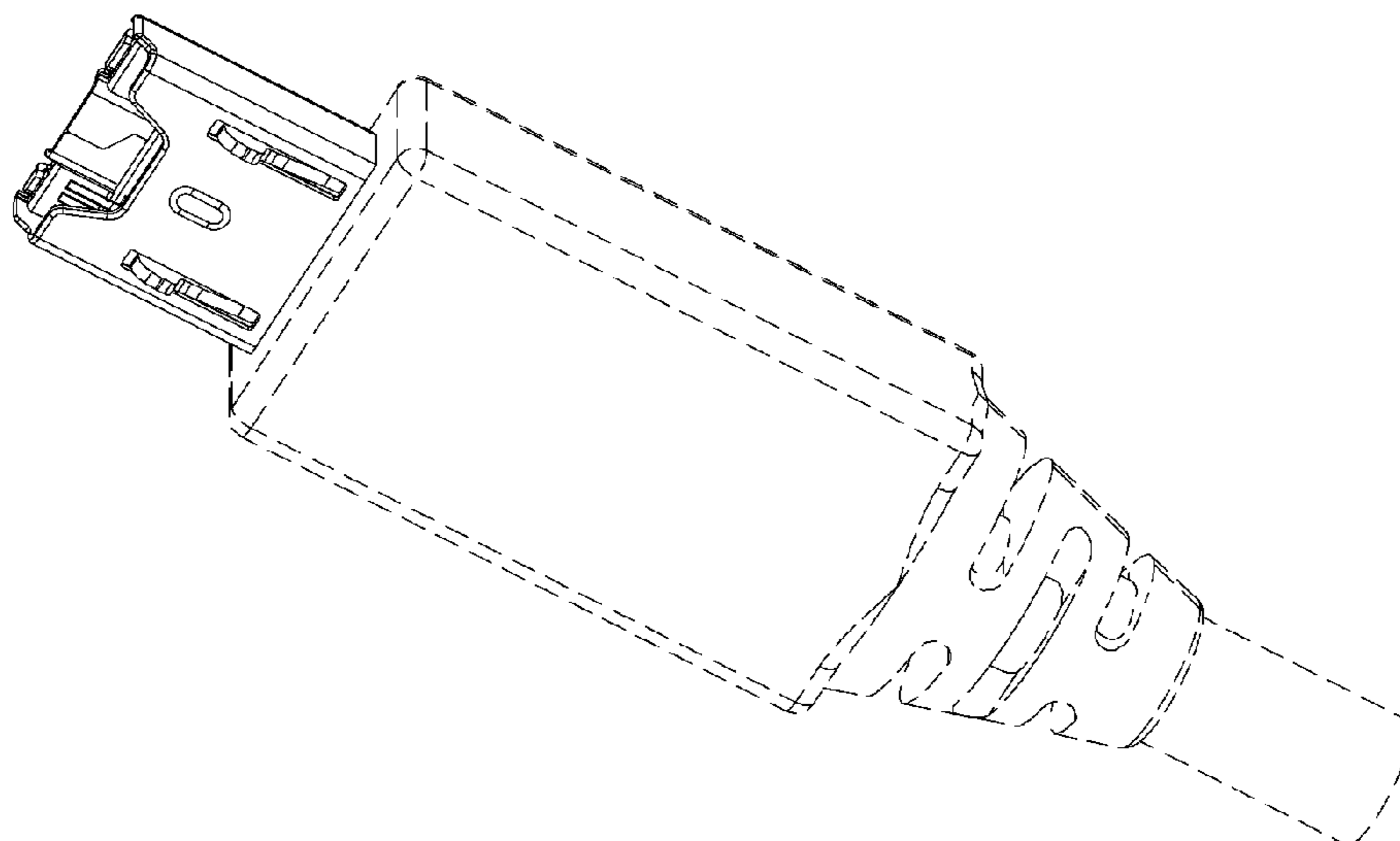
FIG. 12 is a top perspective view thereof.

FIG. 13 is a bottom perspective view of the plug connector, in exploded condition; and,

FIG. 14 is a top perspective view thereof.

The broken line portion of the figure drawings is included for the purpose of illustrating environment and forms no part of the claimed design.

1 Claim, 11 Drawing Sheets



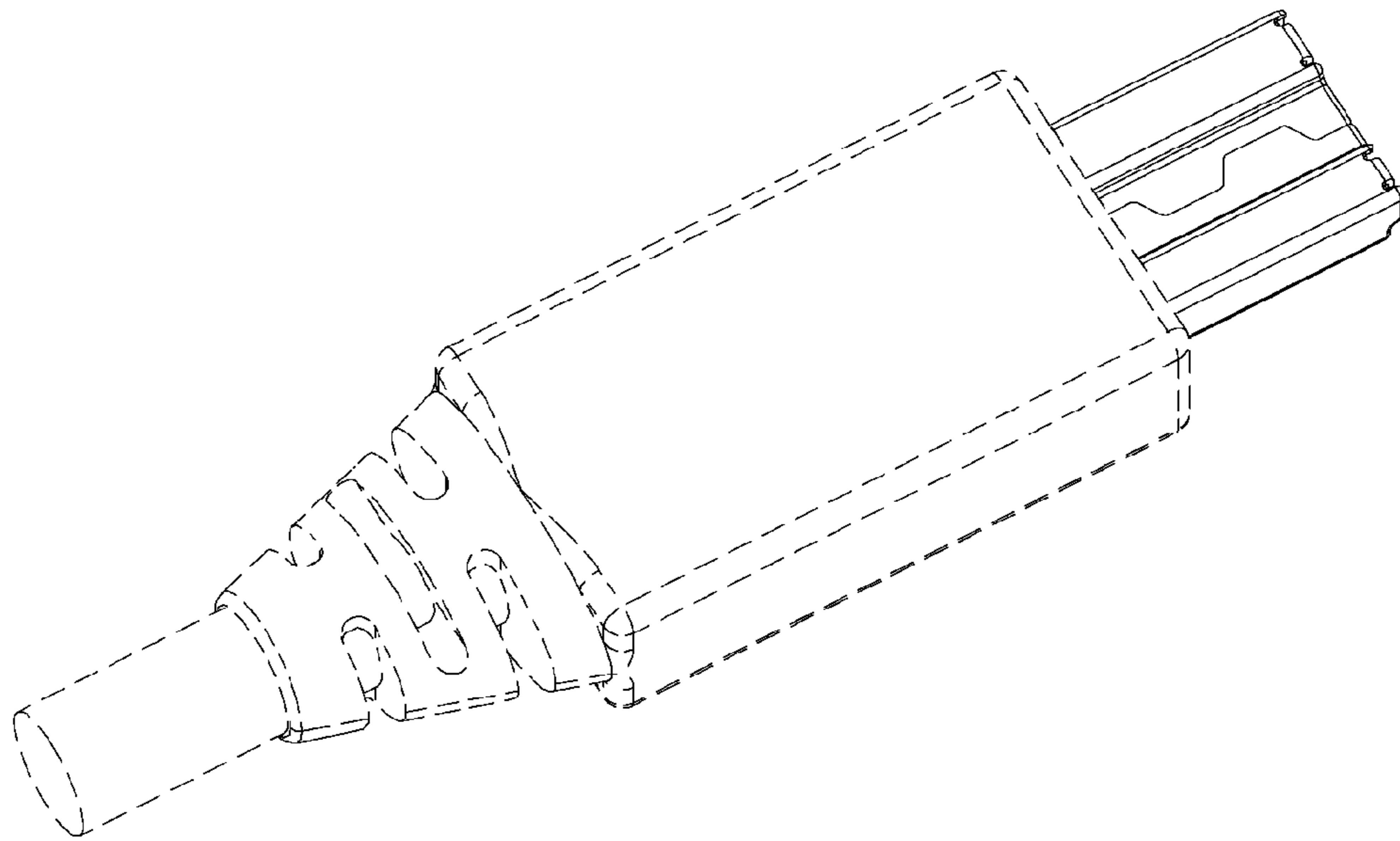


FIG. 1

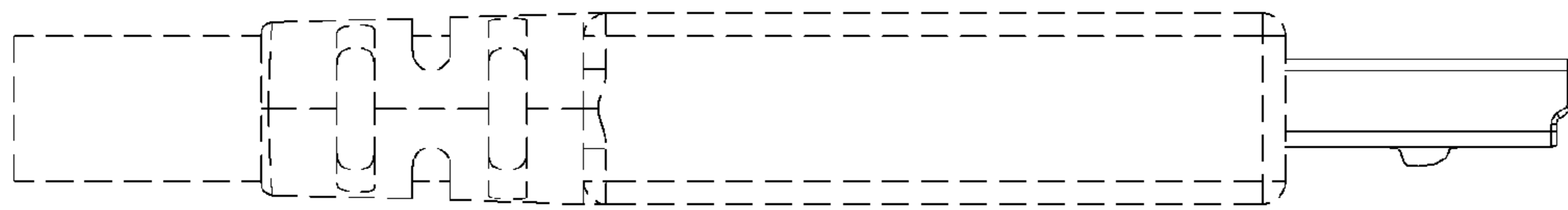


FIG. 2

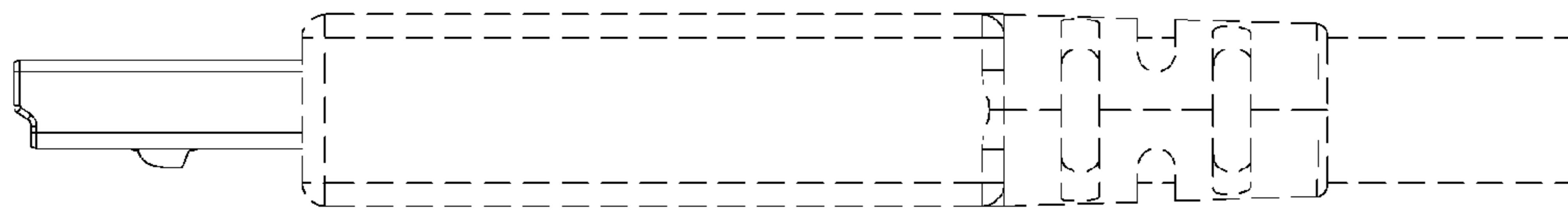


FIG. 3

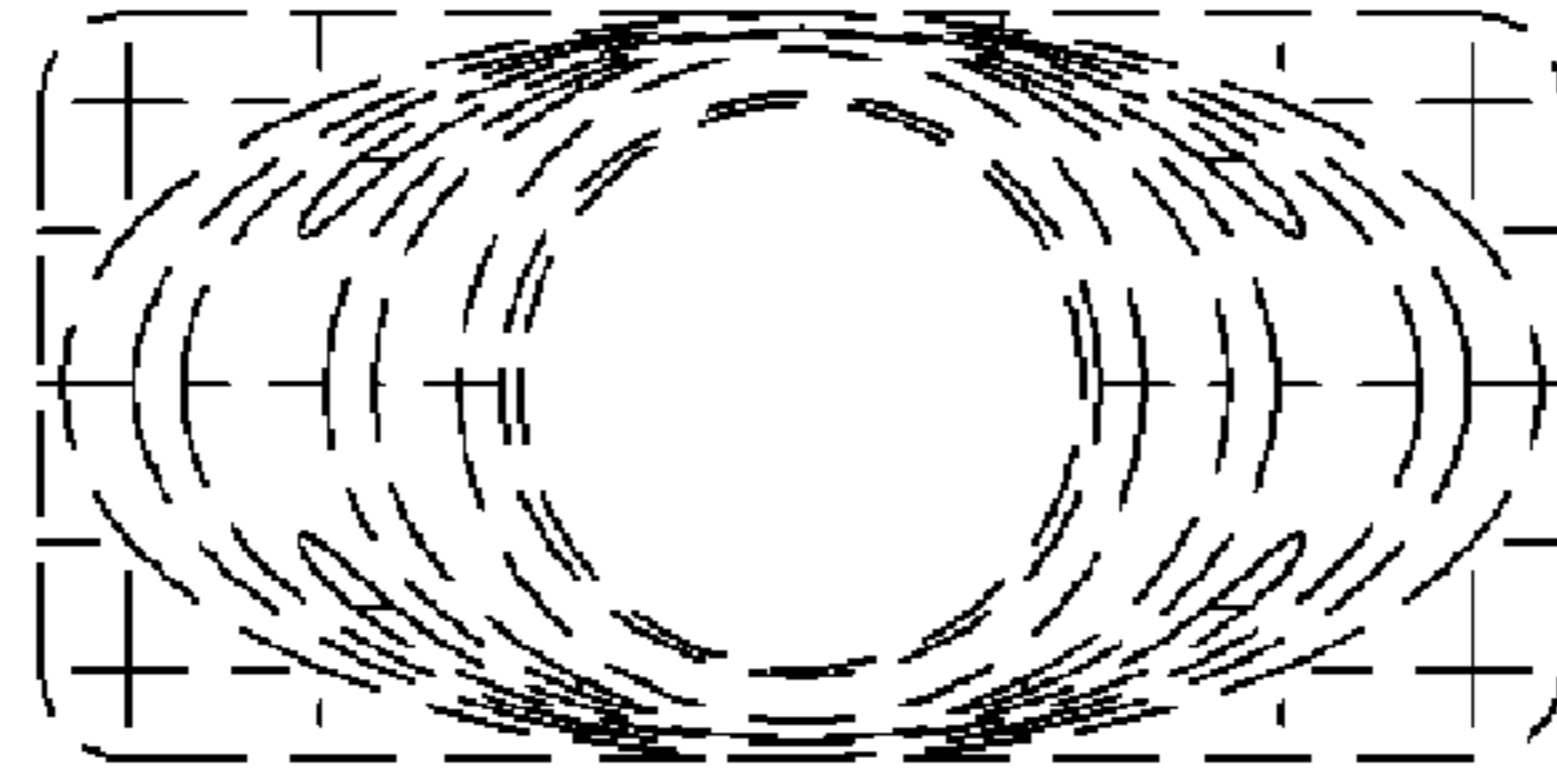


FIG. 4

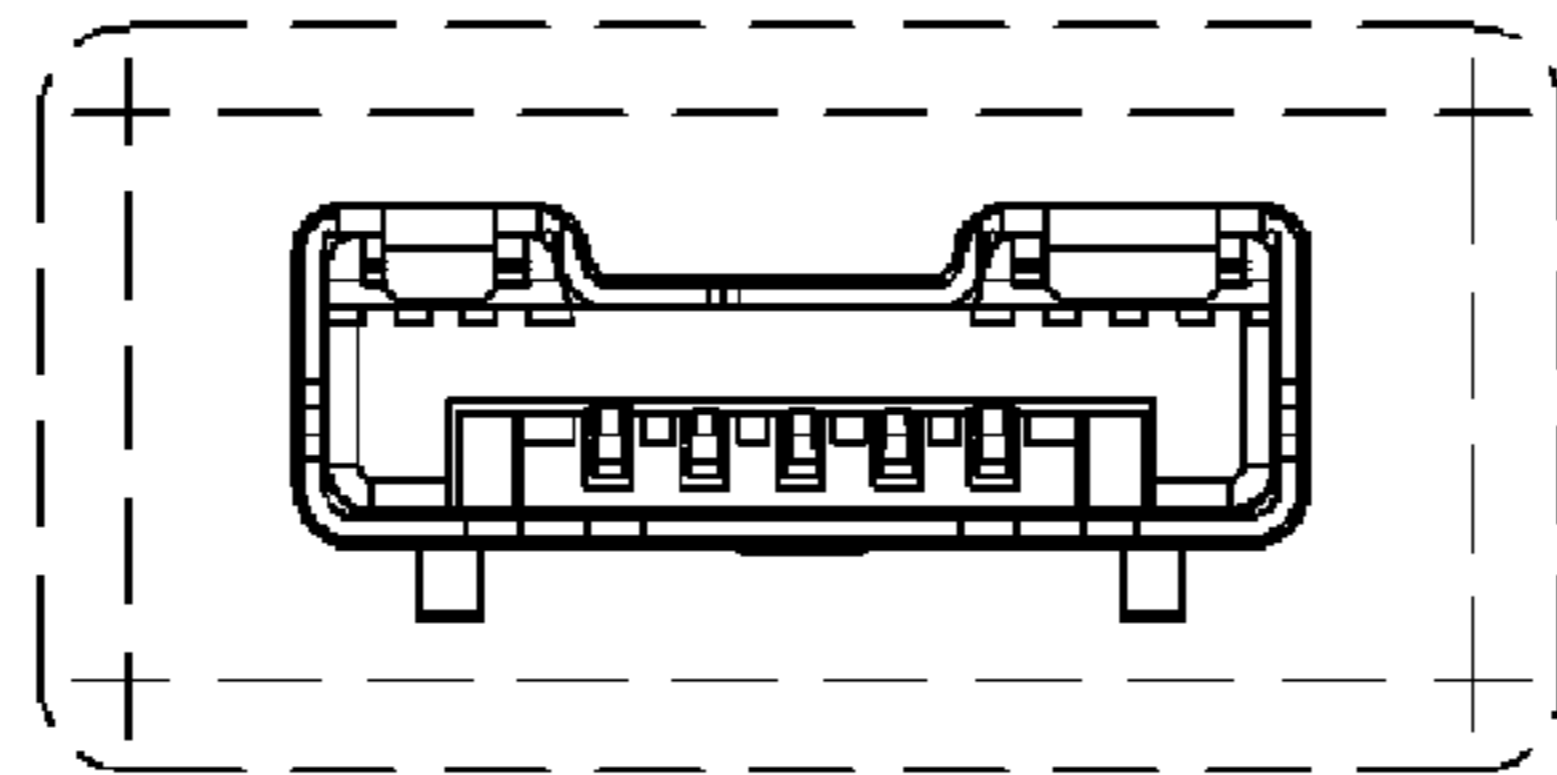


FIG. 5

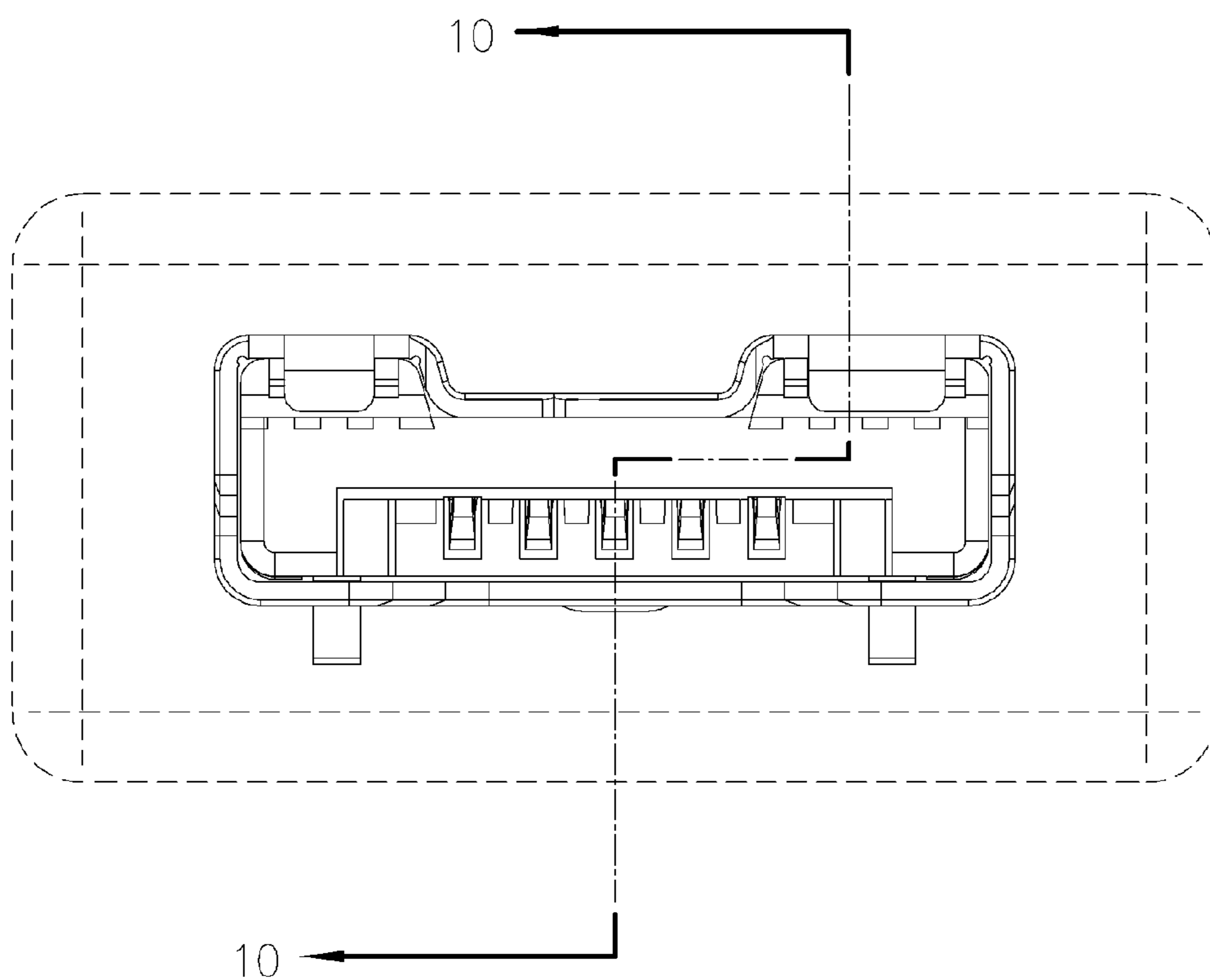


FIG. 6

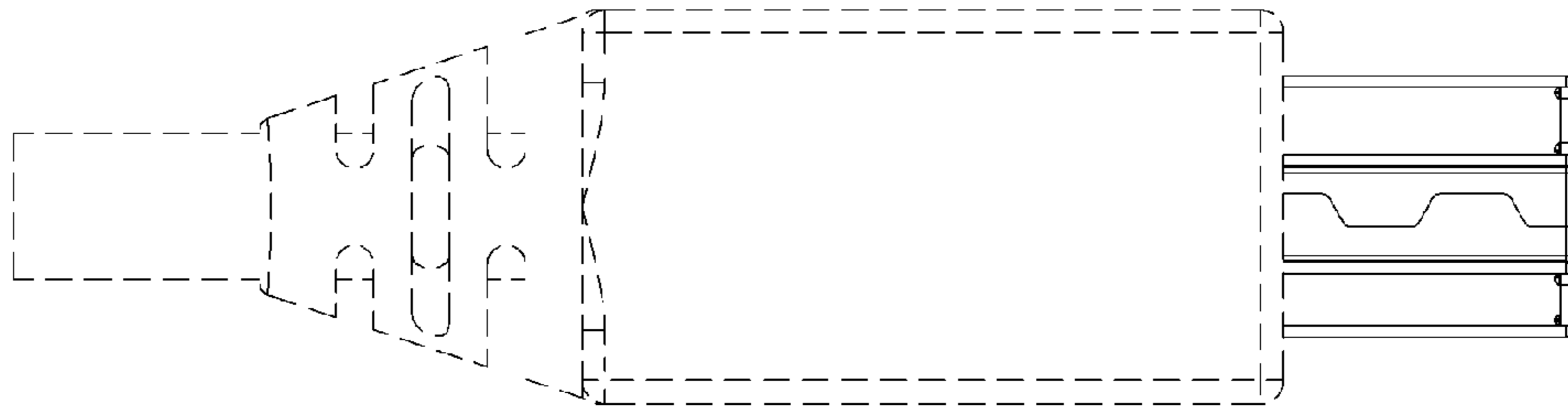


FIG. 7

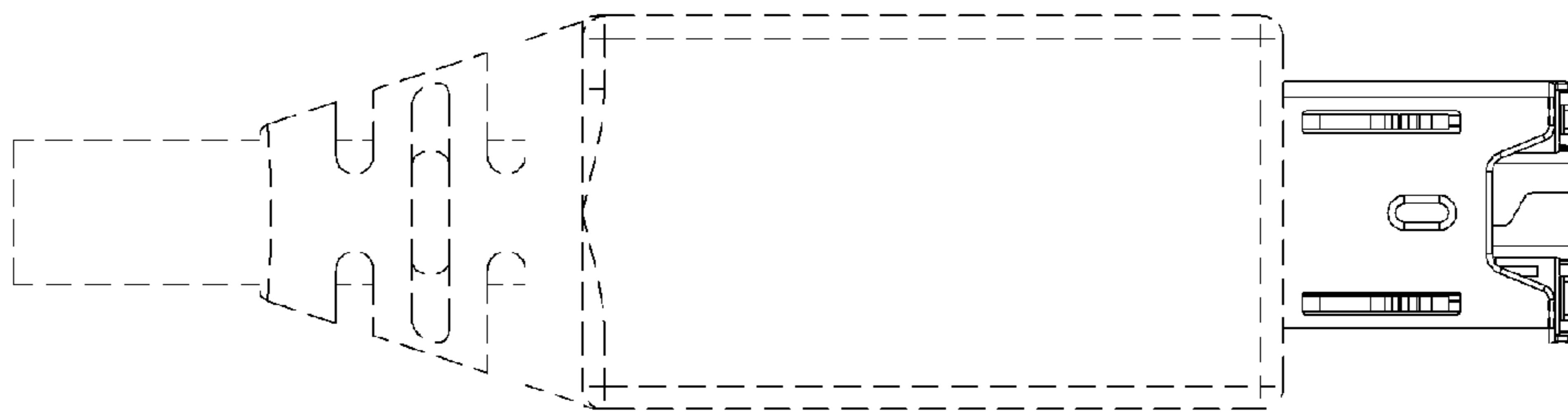


FIG. 8

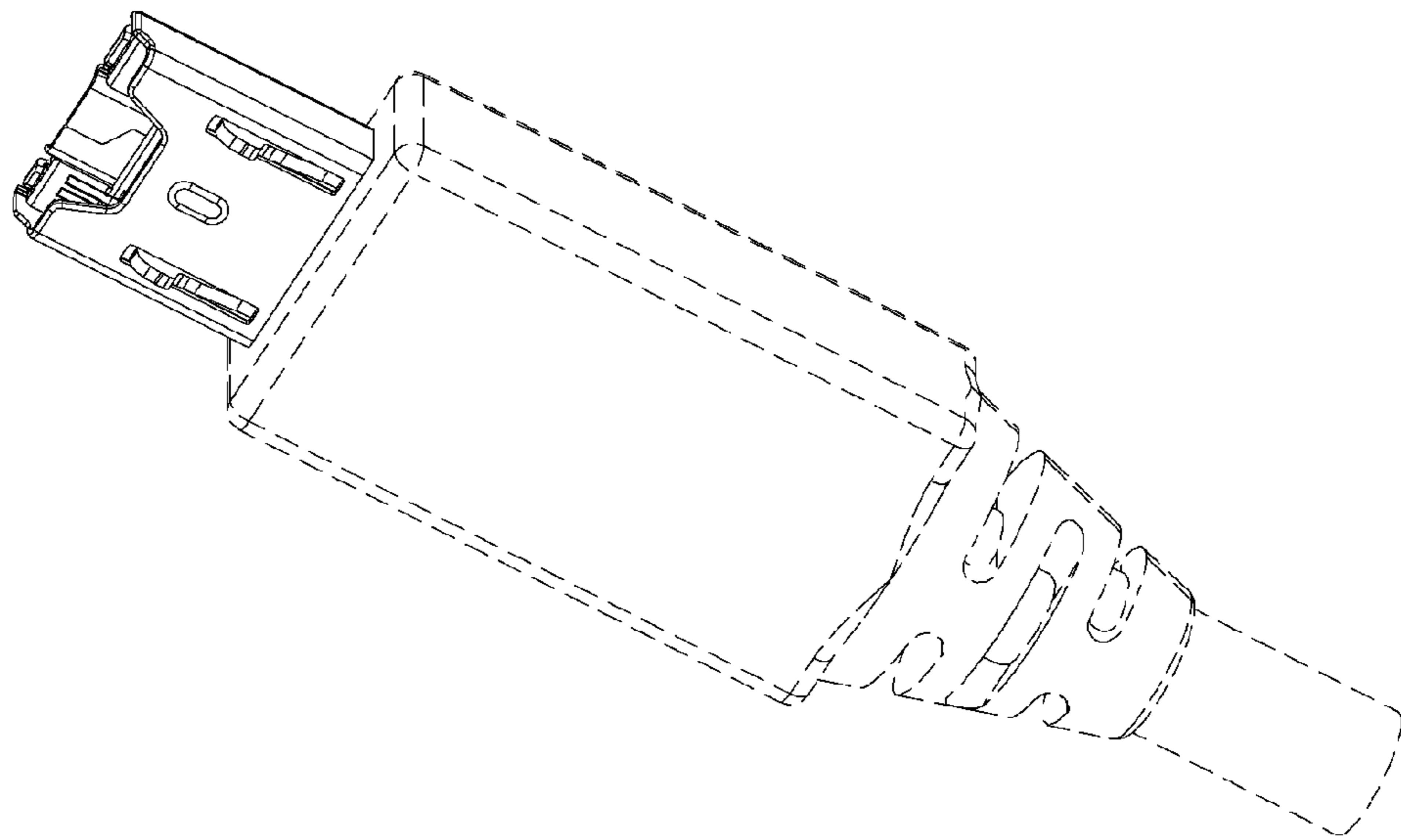


FIG. 9

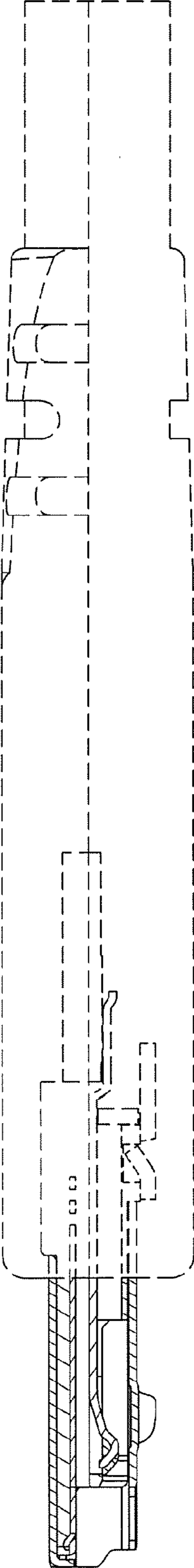


FIG. 10

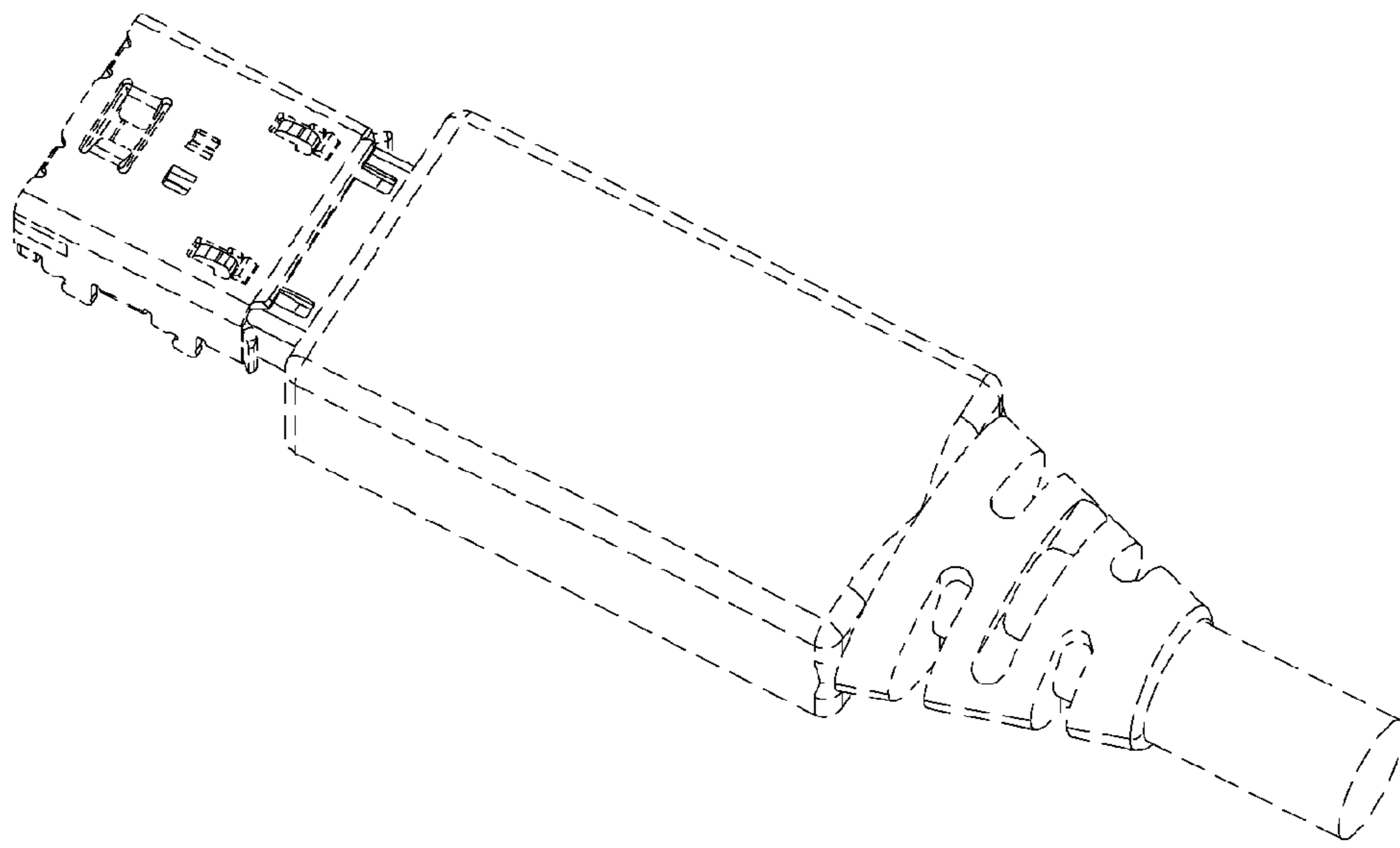


FIG. 11

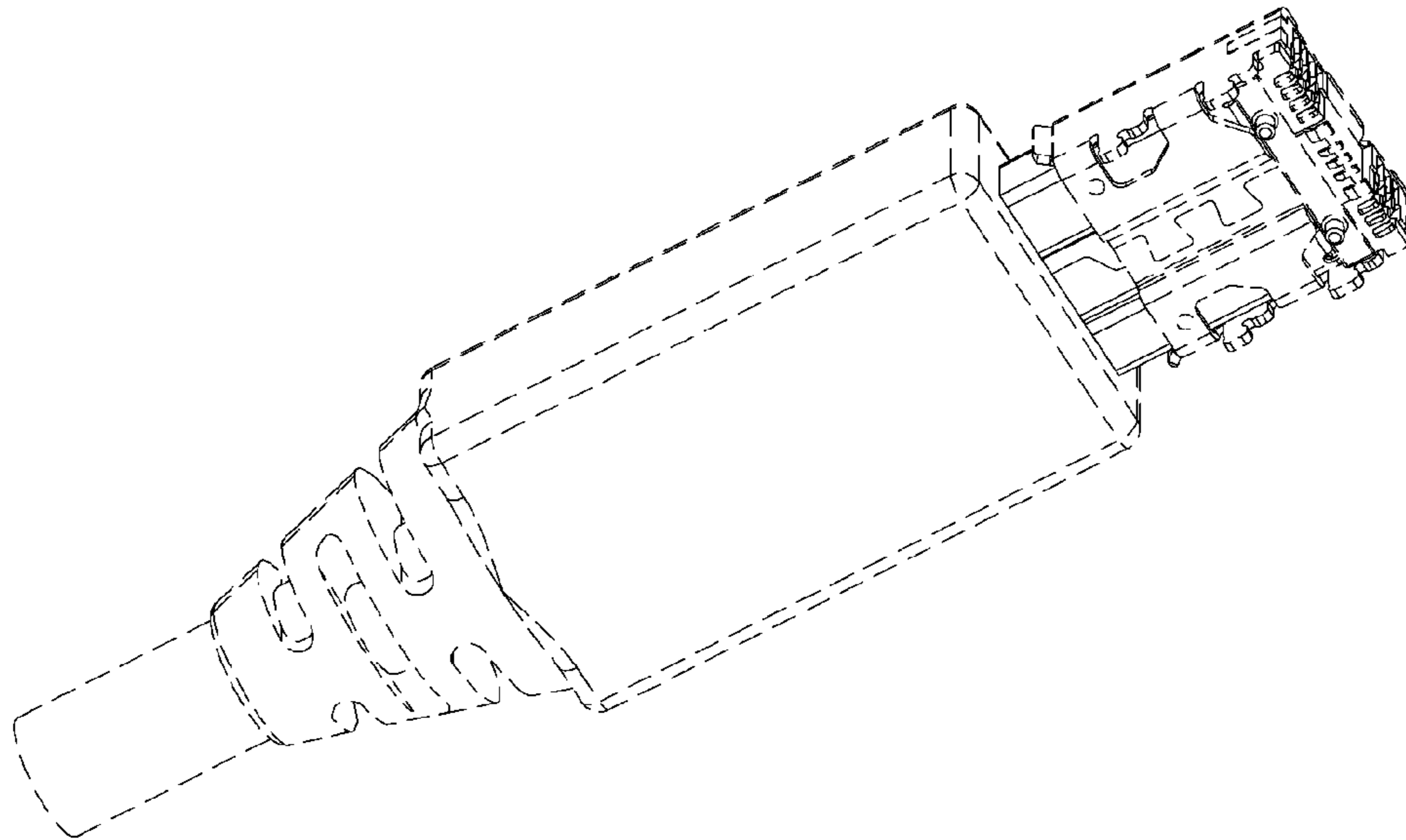


FIG. 12

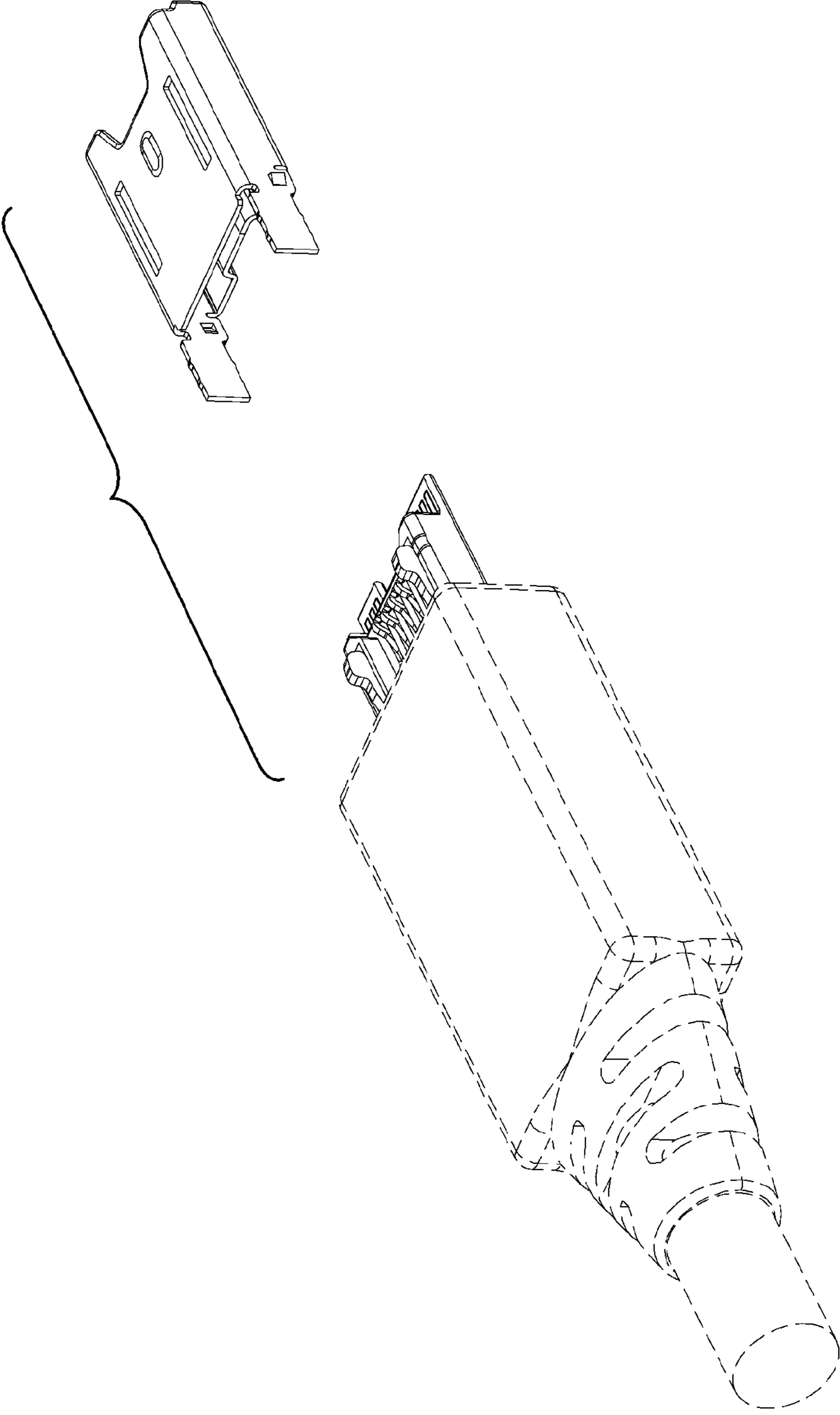


FIG. 13

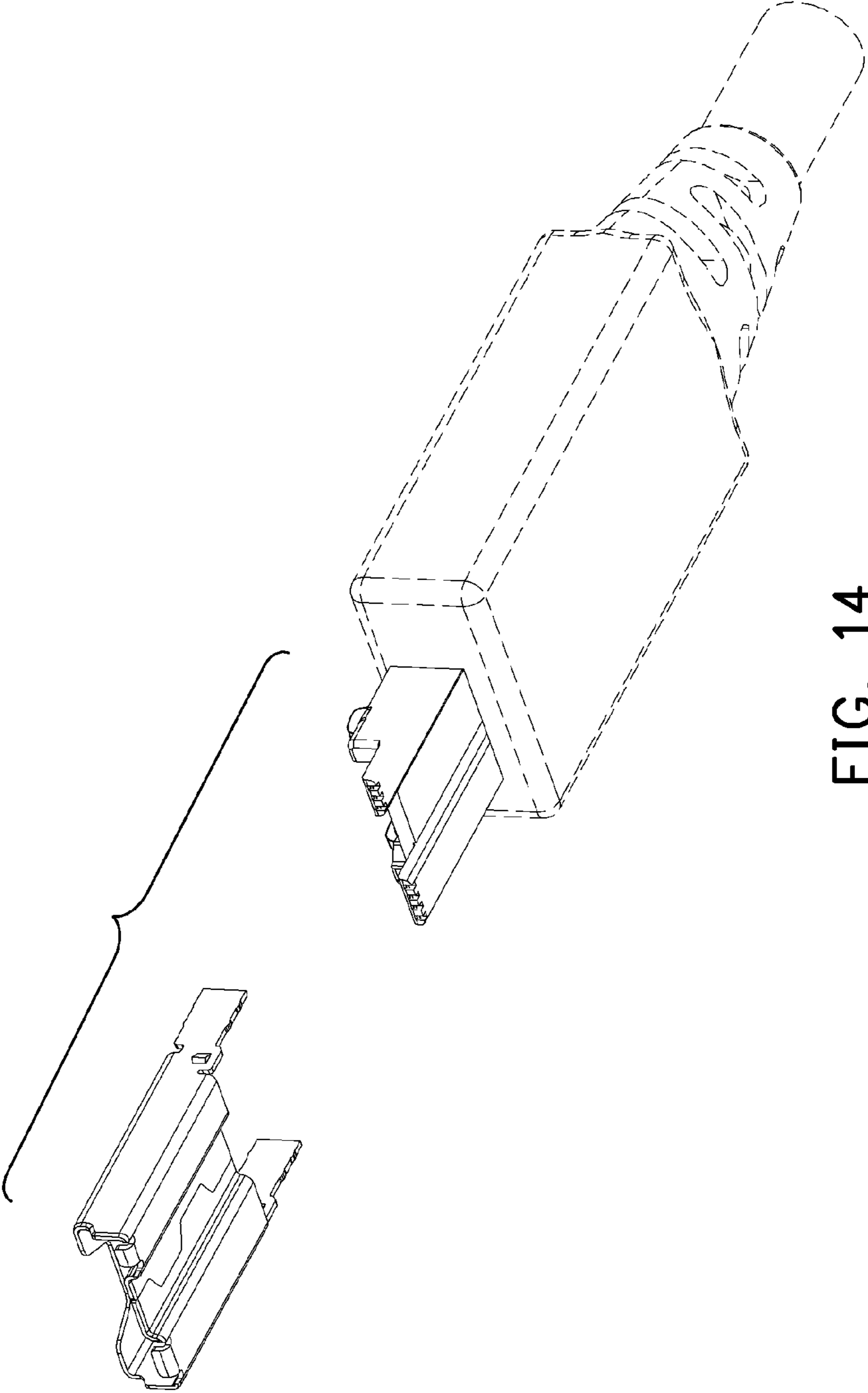


FIG. 14