



US00D615498S

(12) **United States Design Patent**  
**Lalancette**

(10) **Patent No.:** **US D615,498 S**

(45) **Date of Patent:** **\*\* May 11, 2010**

(54) **GROUNDING BRACKET**

(75) Inventor: **Daniel Lalancette**, Acadie (CA)

(73) Assignee: **Thomas & Betts International, Inc.**,  
Wilmington, DE (US)

(\*\*) Term: **14 Years**

(21) Appl. No.: **29/348,354**

(22) Filed: **Dec. 23, 2009**

(51) **LOC (9) Cl.** ..... **13-03**

(52) **U.S. Cl.** ..... **D13/149**

(58) **Field of Classification Search** ..... D13/133,  
D13/148, 149, 151, 154, 184, 199; 439/92,  
439/95, 96, 97, 98, 99, 101, 108; D8/354;  
379/413.03; 174/51

See application file for complete search history.

(56) **References Cited**

**U.S. PATENT DOCUMENTS**

|           |      |         |                 |           |
|-----------|------|---------|-----------------|-----------|
| 4,993,960 | A    | 2/1991  | Franks, Jr.     |           |
| 5,006,074 | A    | 4/1991  | Franks, Jr.     |           |
| 5,160,271 | A    | 11/1992 | Franks, Jr.     |           |
| D393,998  | S    | 5/1998  | Anderson        | D8/394    |
| D395,997  | S    | 7/1998  | Coll et al.     | D8/354    |
| 5,934,818 | A *  | 8/1999  | Schmitt et al.  | 403/399   |
| 6,040,525 | A *  | 3/2000  | Chauquet et al. | 174/40 CC |
| 6,045,414 | A *  | 4/2000  | DeFrance        | 439/794   |
| 6,329,592 | B1   | 12/2001 | Auclair         |           |
| D459,305  | S    | 6/2002  | Malin           | D13/133   |
| 6,494,726 | B1 * | 12/2002 | Auclair         | 439/92    |
| D486,791  | S    | 2/2004  | Franks, Jr.     | D13/133   |

|           |      |         |                |         |
|-----------|------|---------|----------------|---------|
| 6,857,881 | B1   | 2/2005  | Balfour        |         |
| D508,676  | S *  | 8/2005  | Franks, Jr.    | D13/133 |
| D512,376  | S    | 12/2005 | Franks, Jr.    | D13/133 |
| 6,986,673 | B2 * | 1/2006  | de la Borbolla | 439/100 |
| 7,044,754 | B2   | 5/2006  | Malin          |         |
| D576,008  | S    | 9/2008  | Franks, Jr.    | D8/72   |
| D576,463  | S    | 9/2008  | Franks, Jr.    | D8/72   |
| D576,464  | S    | 9/2008  | Franks, Jr.    | D8/72   |
| D576,856  | S    | 9/2008  | Franks, Jr.    | D8/72   |
| D577,560  | S    | 9/2008  | Franks, Jr.    | D8/72   |

\* cited by examiner

*Primary Examiner*—Daniel D Bui

*Assistant Examiner*—Thomas J Johannes

(74) *Attorney, Agent, or Firm*—G. Andrew Barger

(57) **CLAIM**

The ornamental design for a grounding bracket, as shown and described.

**DESCRIPTION**

FIG. 1 is a front perspective view of the grounding bracket of the present invention;

FIG. 2 is a back perspective view thereof;

FIG. 3 is a front plan view thereof;

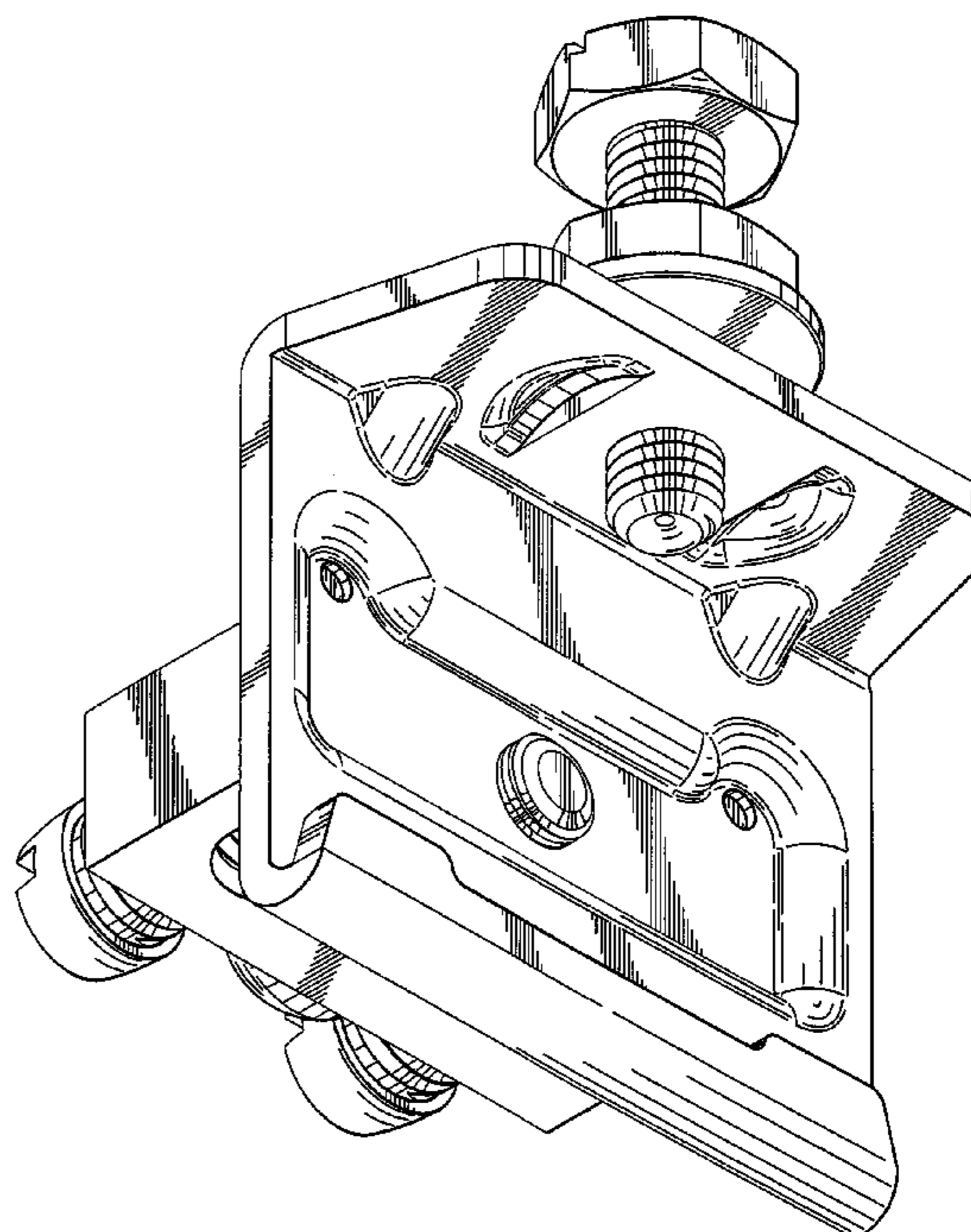
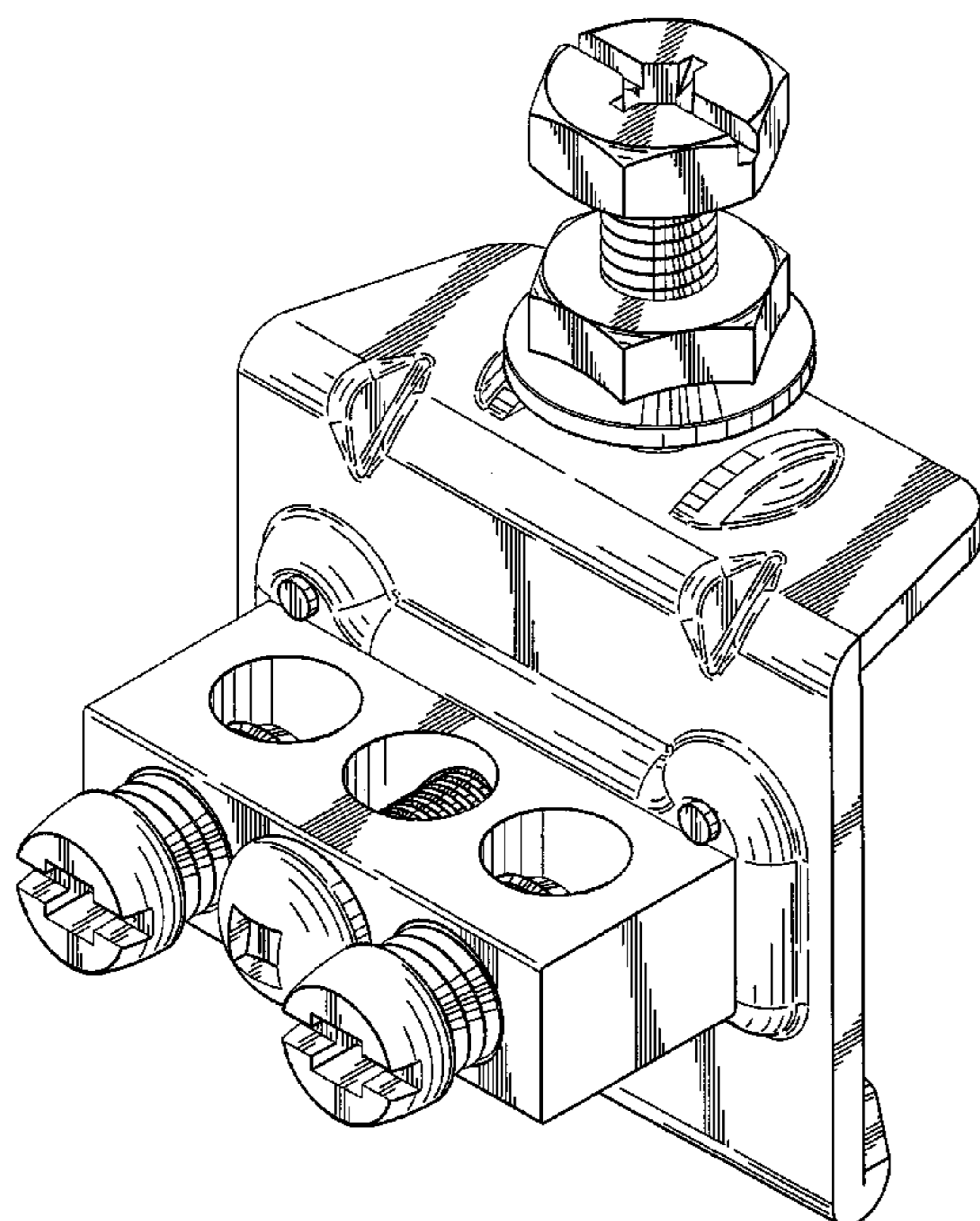
FIG. 4 is a side plan view thereof;

FIG. 5 is a back plan view thereof;

FIG. 6 is a top plan view thereof; and,

FIG. 7 is a bottom plan view thereof.

**1 Claim, 7 Drawing Sheets**



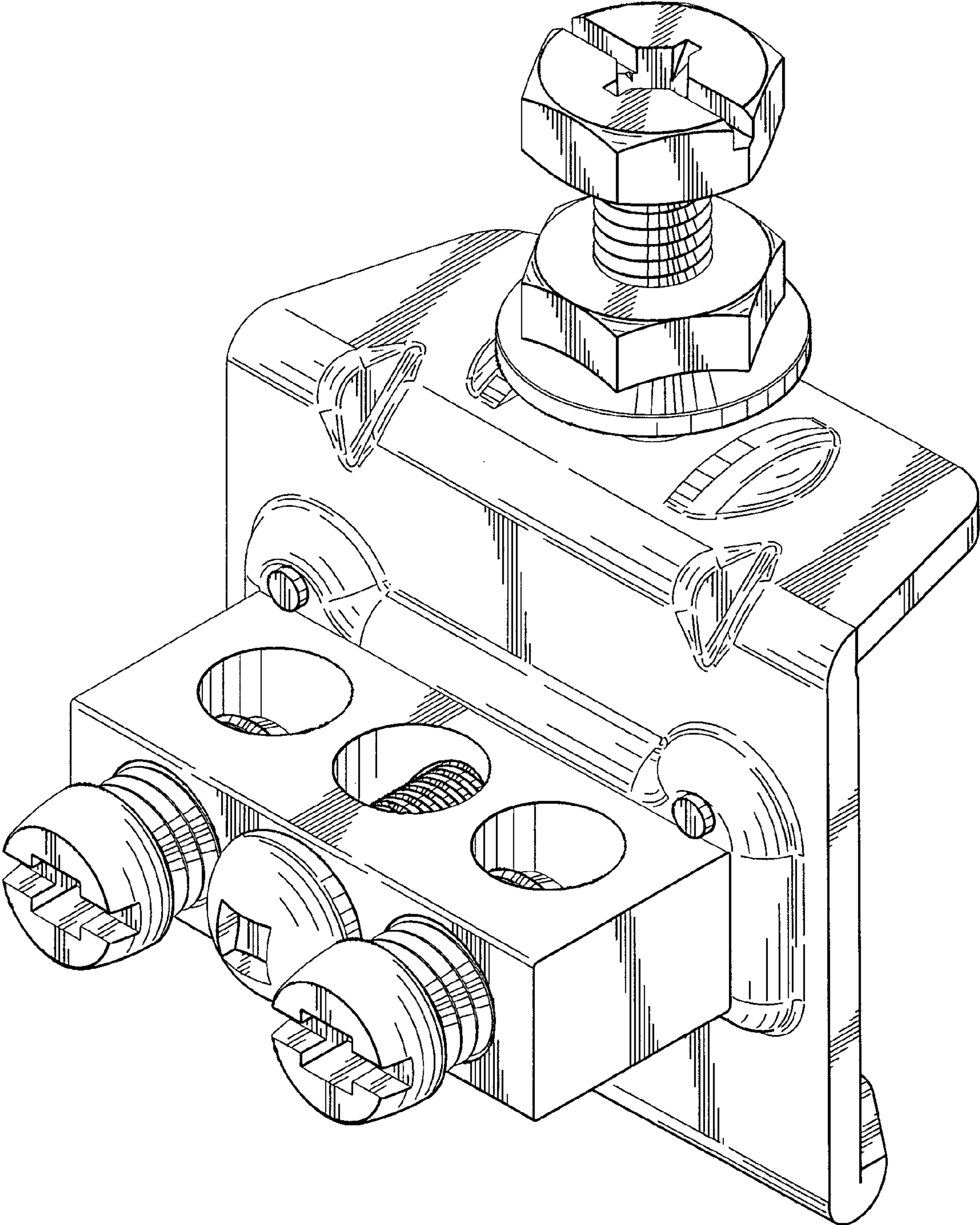


FIG. 1



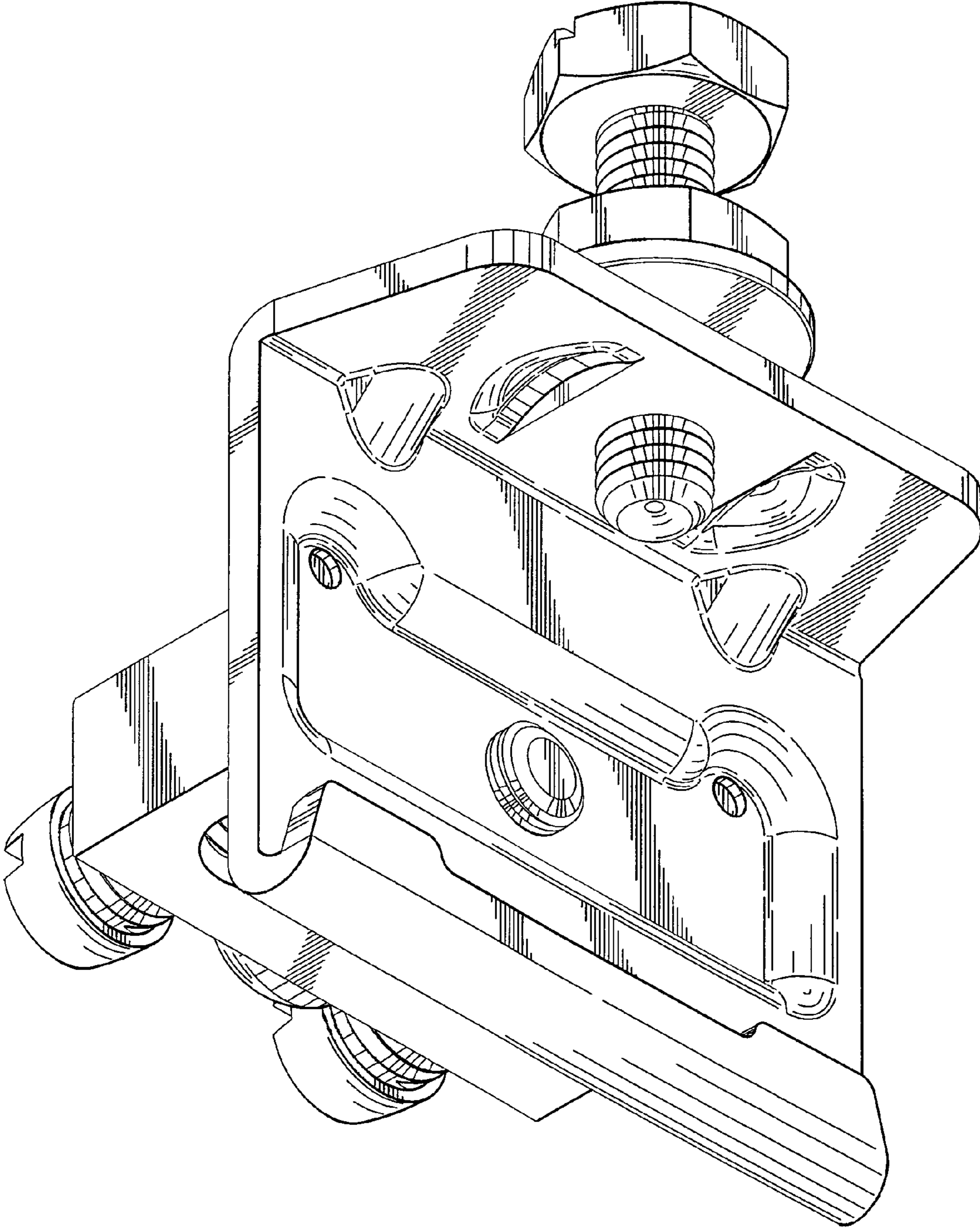


FIG. 2

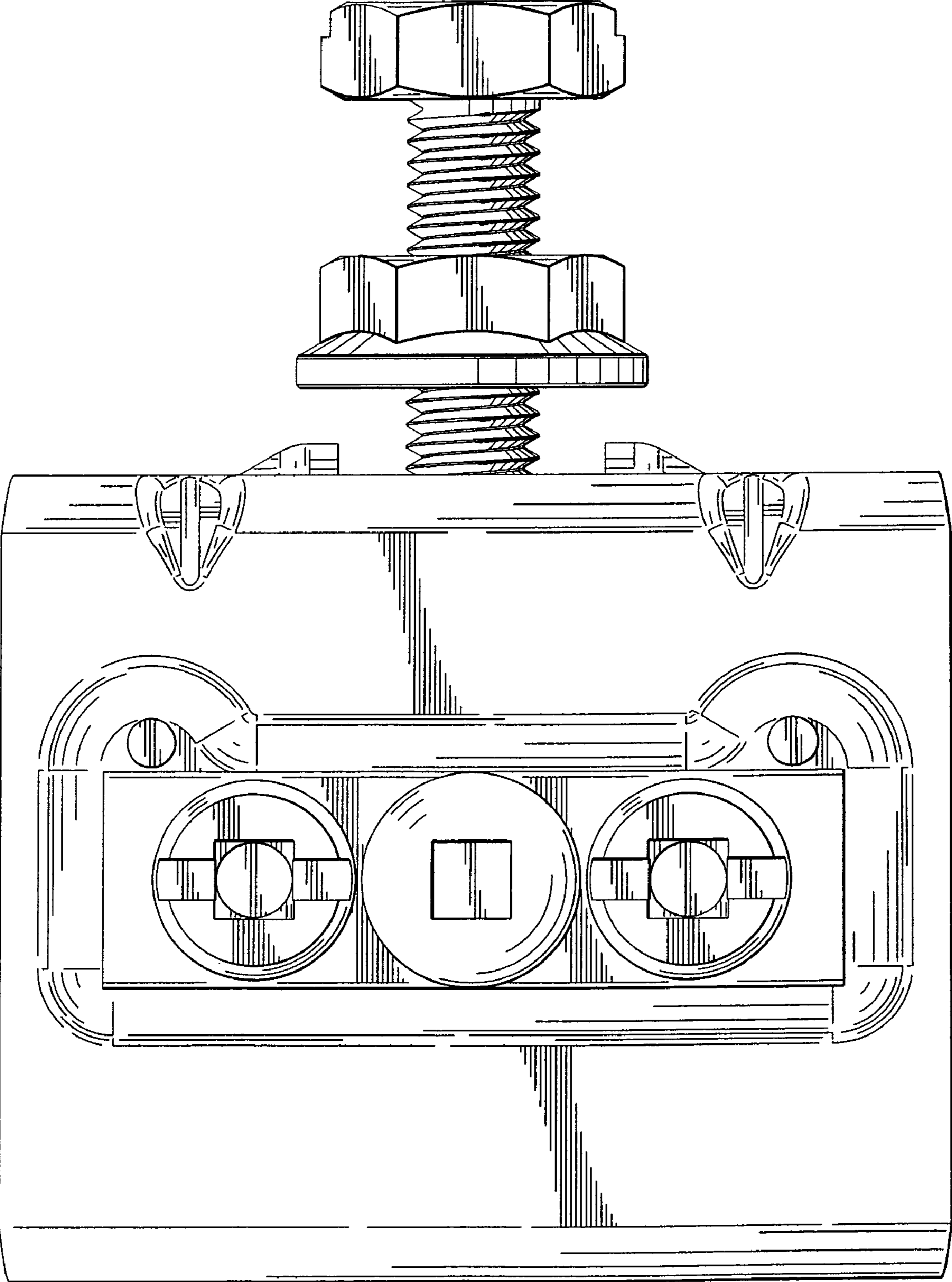


FIG. 3

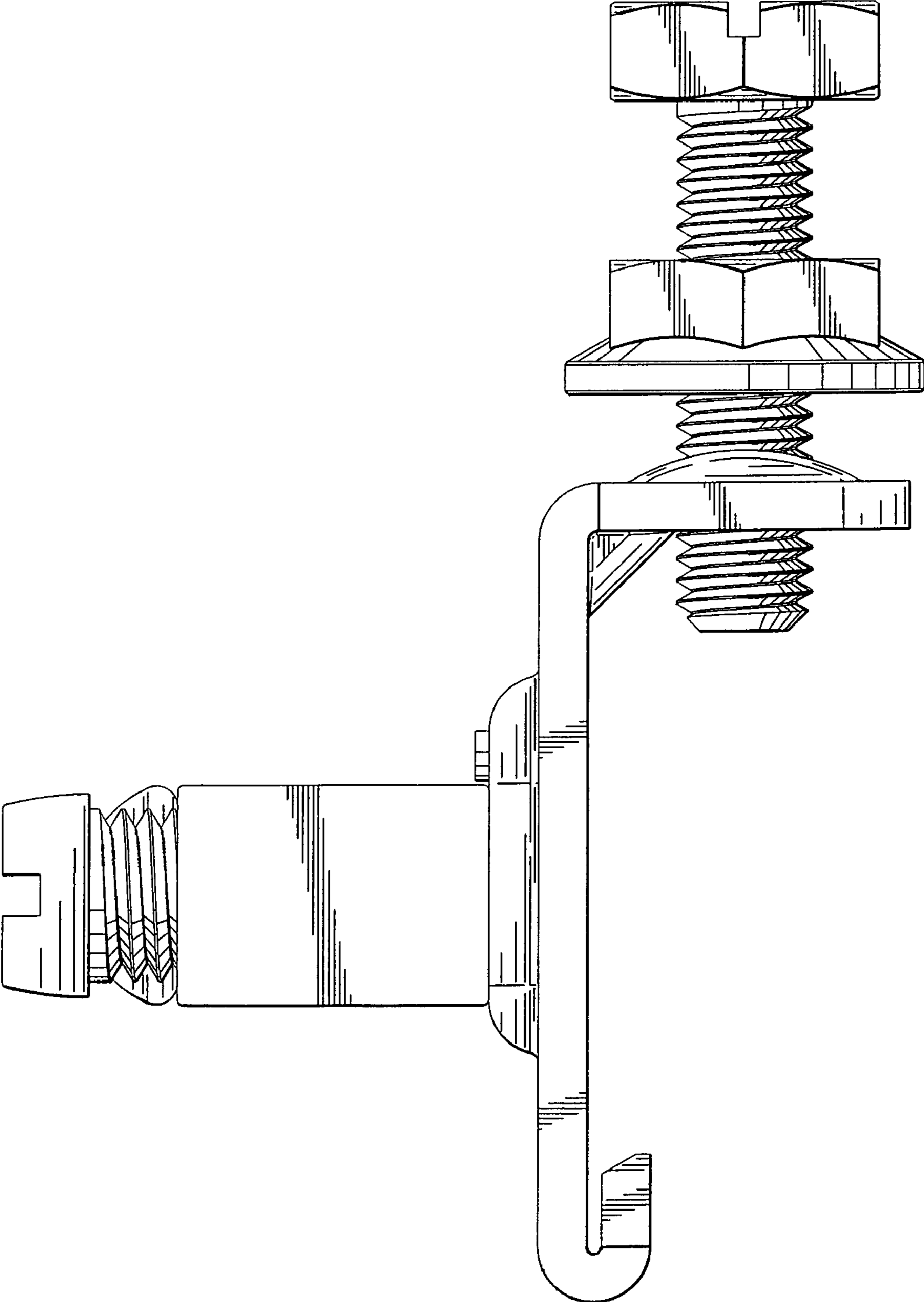


FIG. 4

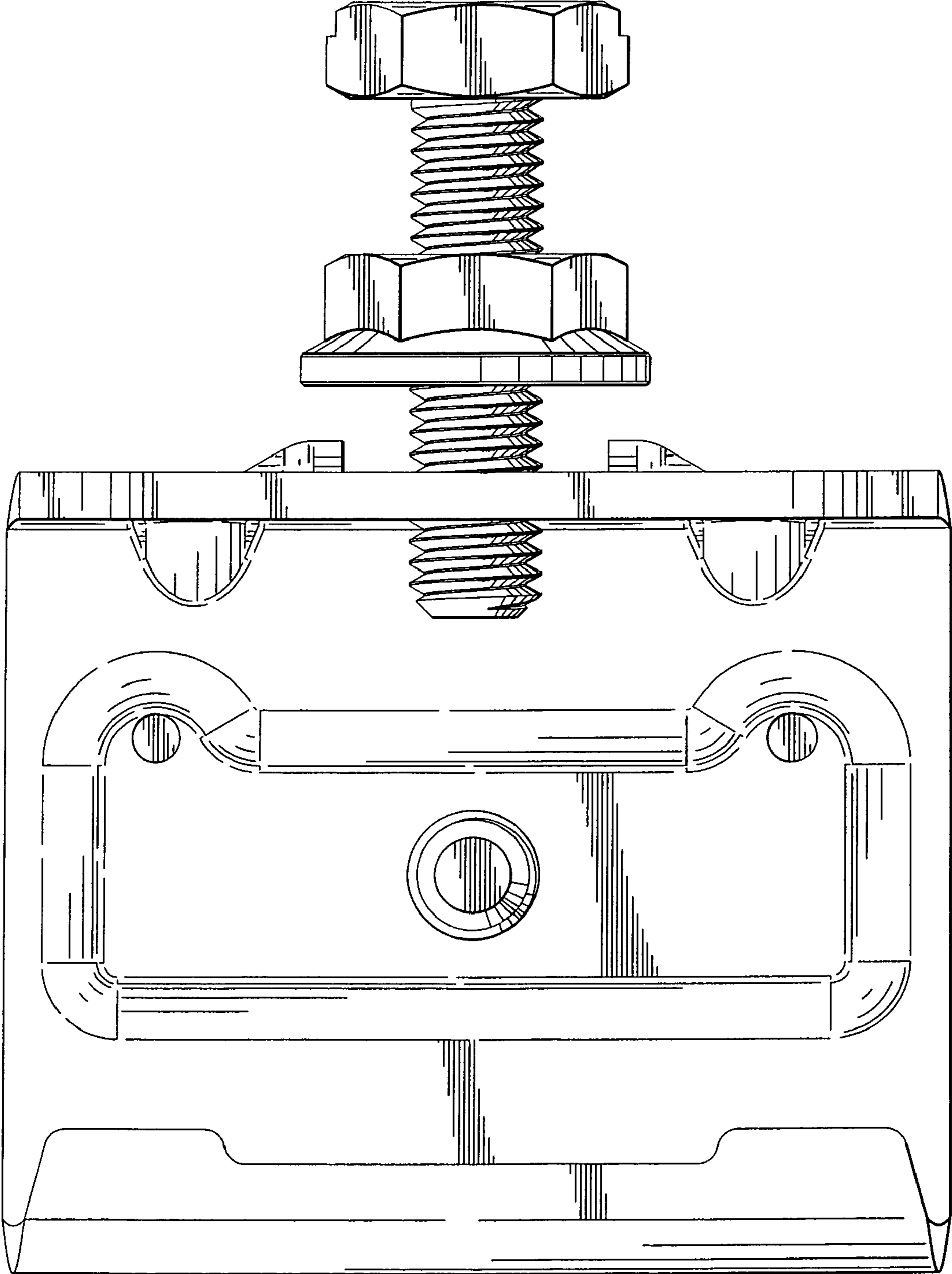


FIG. 5

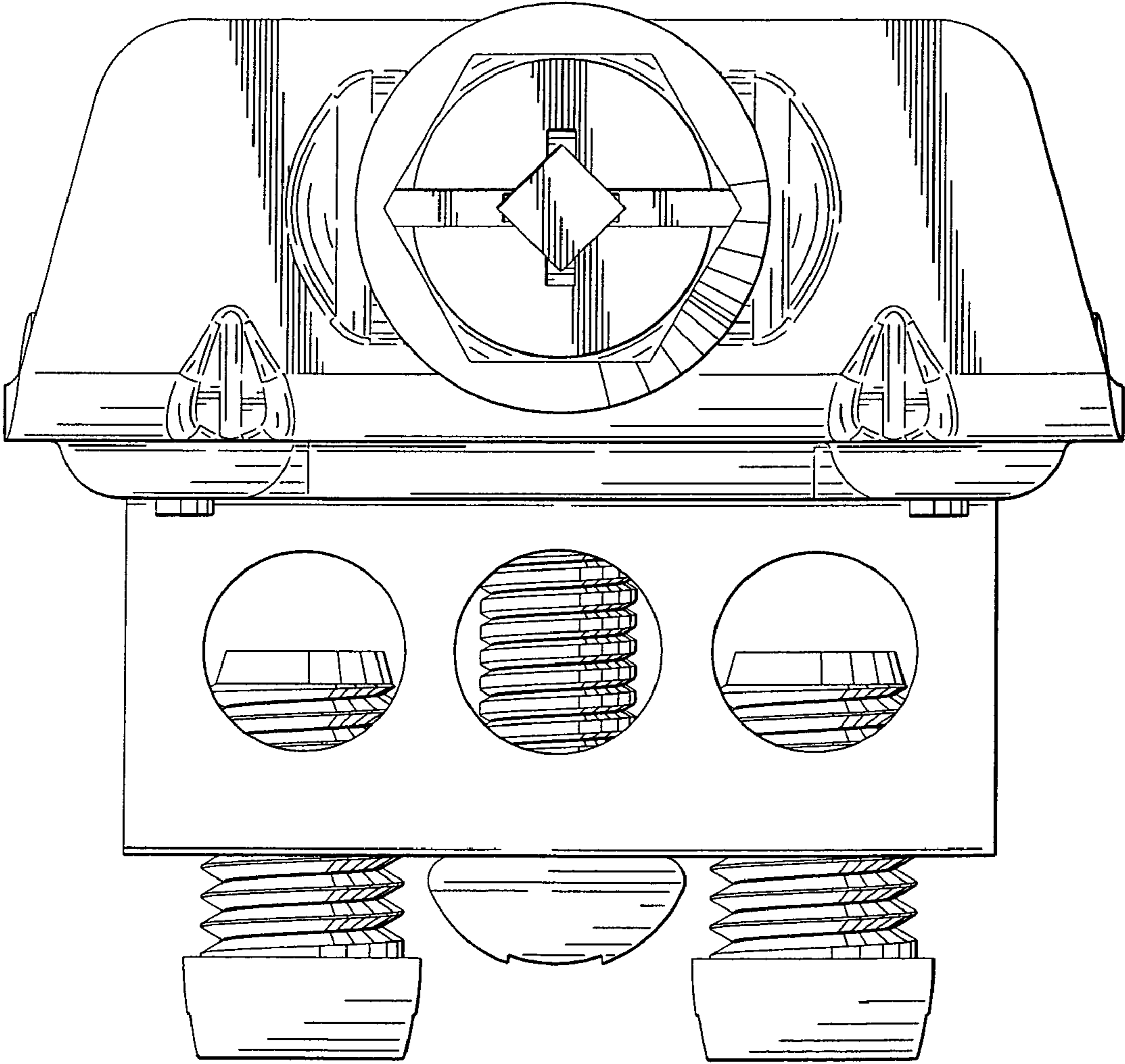


FIG. 6



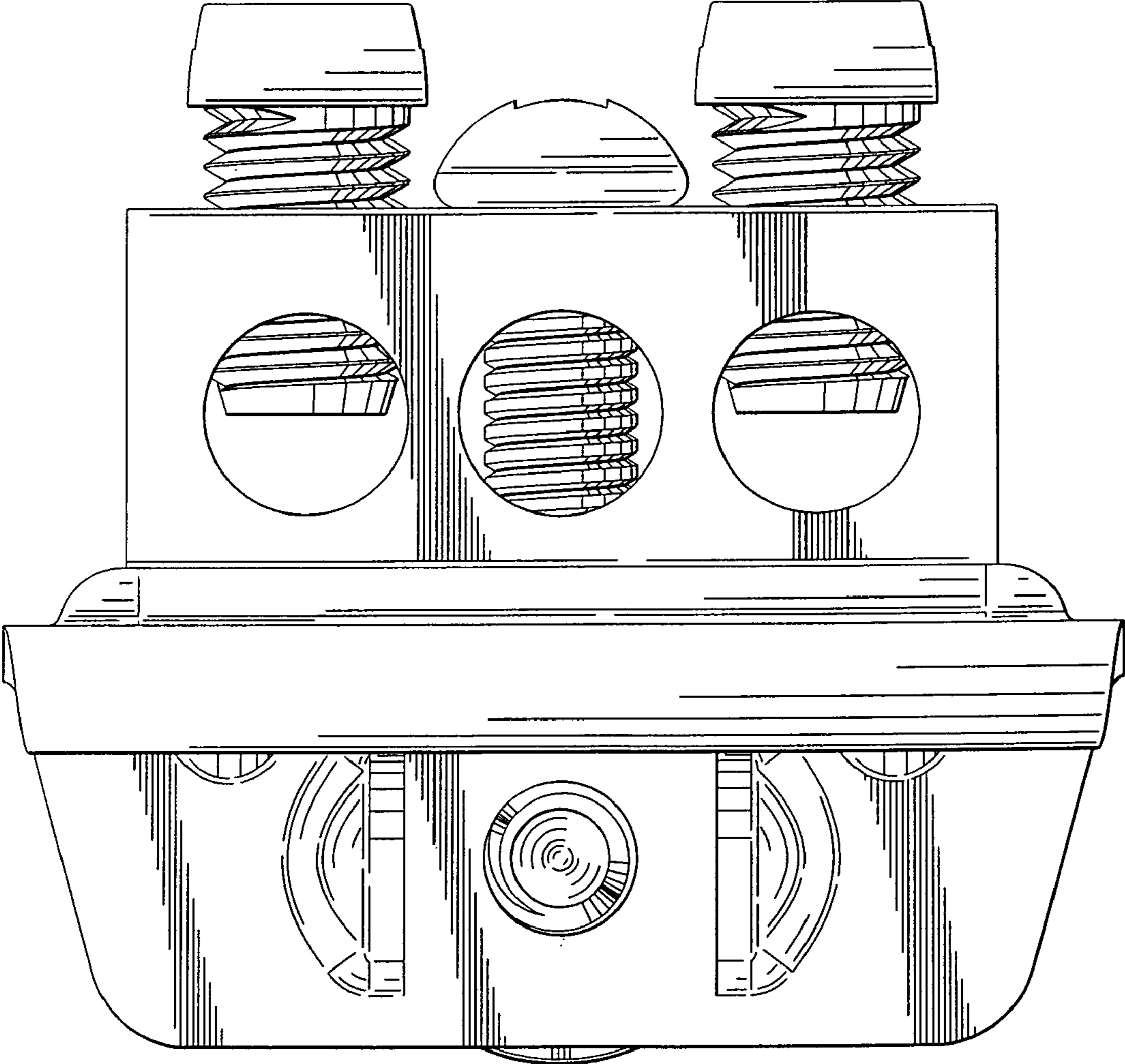


FIG. 7