



US00D615497S

(12) **United States Design Patent**
Woodward et al.

(10) **Patent No.:** **US D615,497 S**

(45) **Date of Patent:** **** May 11, 2010**

(54) **GROUNDING CLIP**

(75) Inventors: **Jerry Woodward**, Collierville, TN (US);
Rodolfo Elizondo, Olive Branch, MS
(US)

(73) Assignee: **Thomas & Betts International Inc.**,
Wilmington, DE (US)

(**) Term: **14 Years**

(21) Appl. No.: **29/316,598**

(22) Filed: **Oct. 13, 2009**

(51) **LOC (9) Cl.** **13-03**

(52) **U.S. Cl.** **D13/149**

(58) **Field of Classification Search** D13/133,
D13/148, 149, 151, 154, 184, 199; 439/331,
439/526, 68, 73, 862; D8/354

See application file for complete search history.

(56) **References Cited**

U.S. PATENT DOCUMENTS

2,083,923 A	6/1937	Rowe	173/269
2,232,857 A	2/1941	Jackson	173/269
D195,623 S	7/1963	Leonardo	D26/1
3,609,657 A	9/1971	Stanback	
D296,547 S *	7/1988	Sachs	D13/148
D296,777 S *	7/1988	Cornell	D13/149
4,863,390 A *	9/1989	Cera et al.	439/100
4,946,405 A	8/1990	Boehm	
5,030,131 A	7/1991	Boehm	

5,036,164 A *	7/1991	Schrader et al.	174/94 R
5,152,701 A *	10/1992	Polidori	439/791
5,681,191 A *	10/1997	Robicheau et al.	439/877
5,759,072 A	6/1998	Chadbourne et al.	
5,957,733 A	9/1999	Mello et al.	
D414,744 S *	10/1999	Surinak	D13/149
D427,051 S *	6/2000	Lodi	D8/395
D487,062 S	2/2004	Foster	D13/151
D585,833 S	2/2009	Sherman	D13/149

* cited by examiner

Primary Examiner—Daniel D Bui

Assistant Examiner—Thomas J Johannes

(74) *Attorney, Agent, or Firm*—G. Andrew Barger

(57) **CLAIM**

The ornamental design for a grounding clip, as shown and described.

DESCRIPTION

FIG. 1 is a front perspective view of the grounding clip of the present invention;

FIG. 2 is a back perspective view thereof;

FIG. 3 is a back plan view thereof;

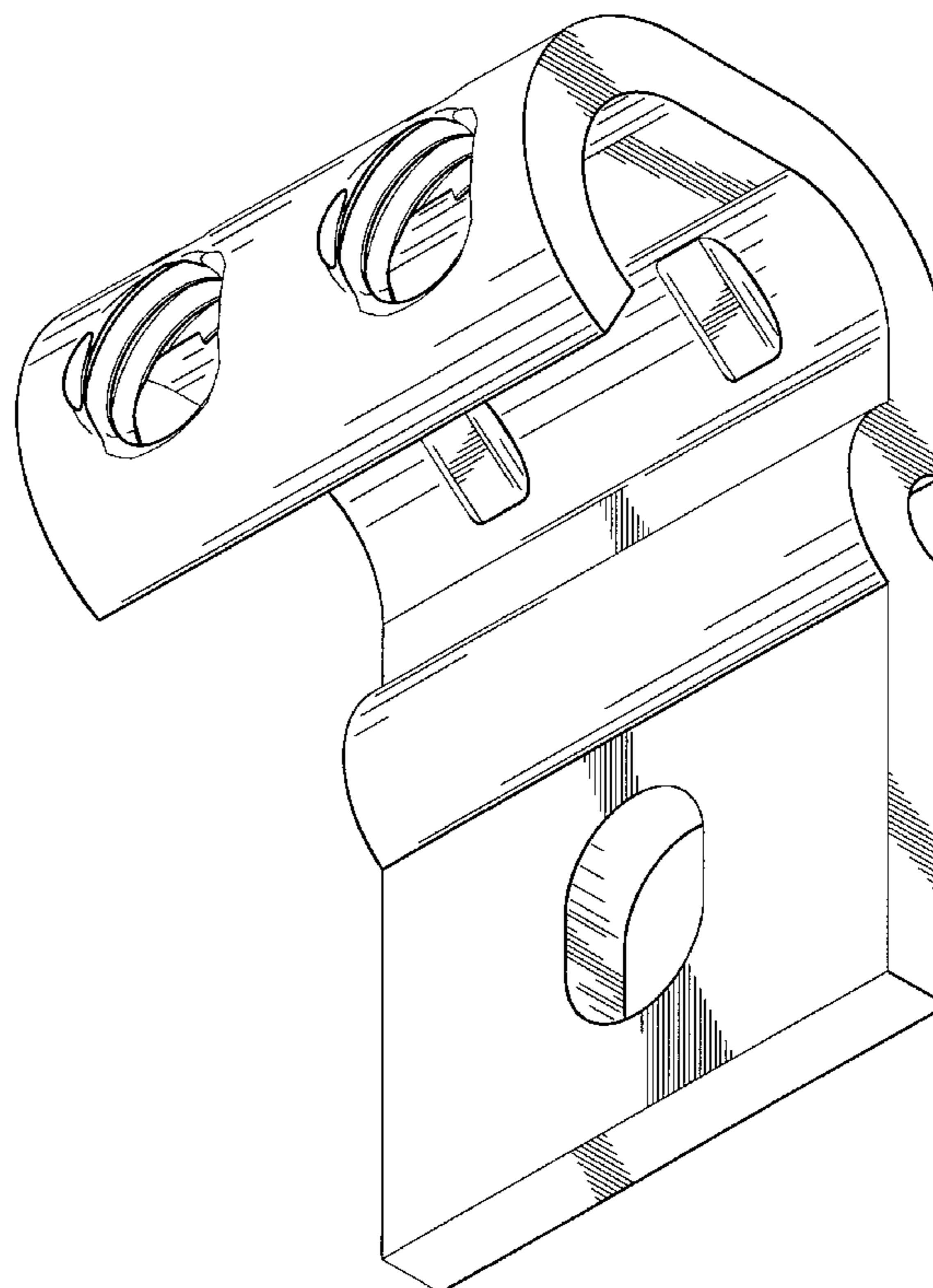
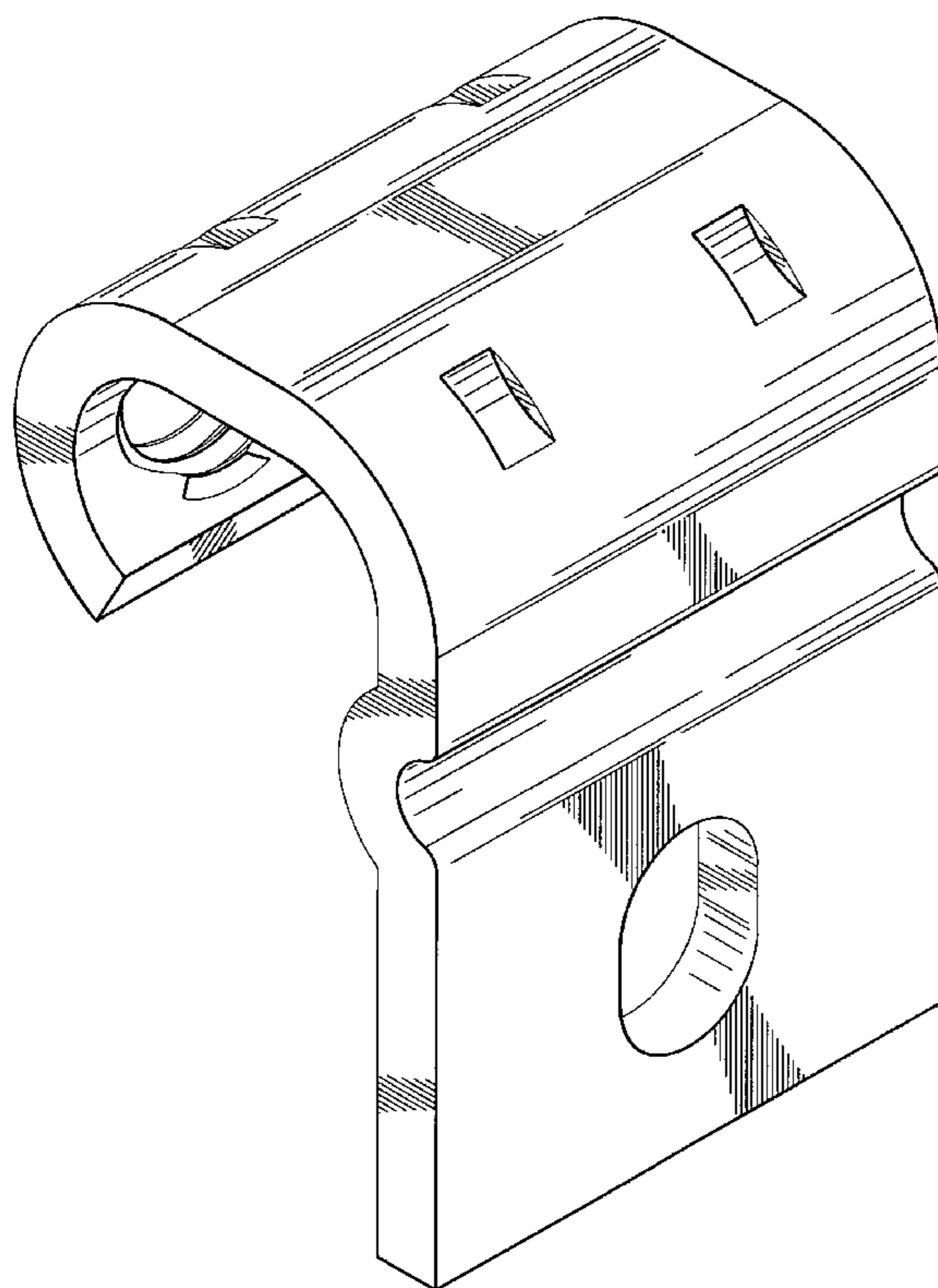
FIG. 4 is a side plan view thereof.

FIG. 5 is a front plan view thereof;

FIG. 6 is a top plan view thereof; and,

FIG. 7 is a bottom plan view thereof.

1 Claim, 6 Drawing Sheets



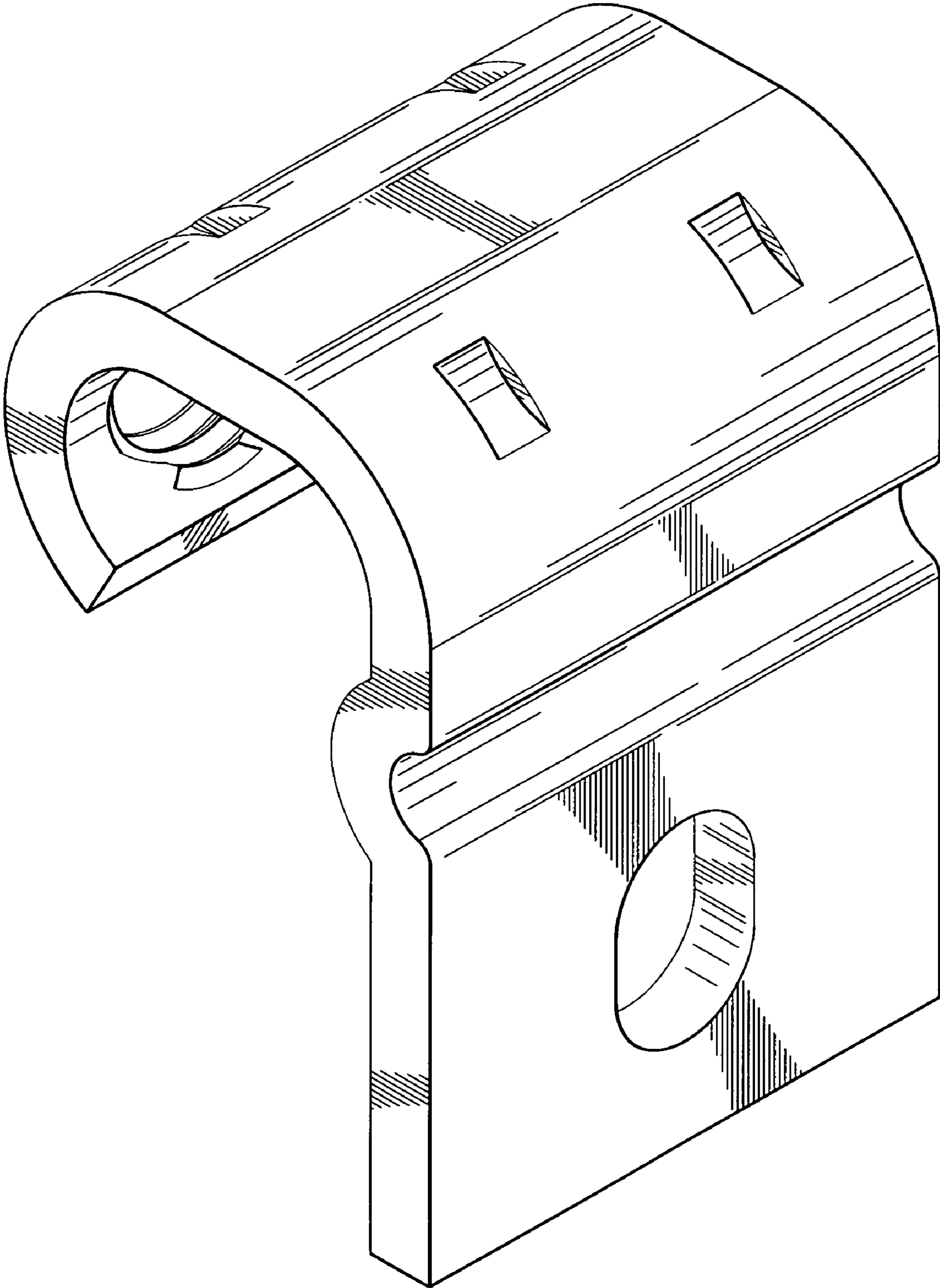


FIG. 1

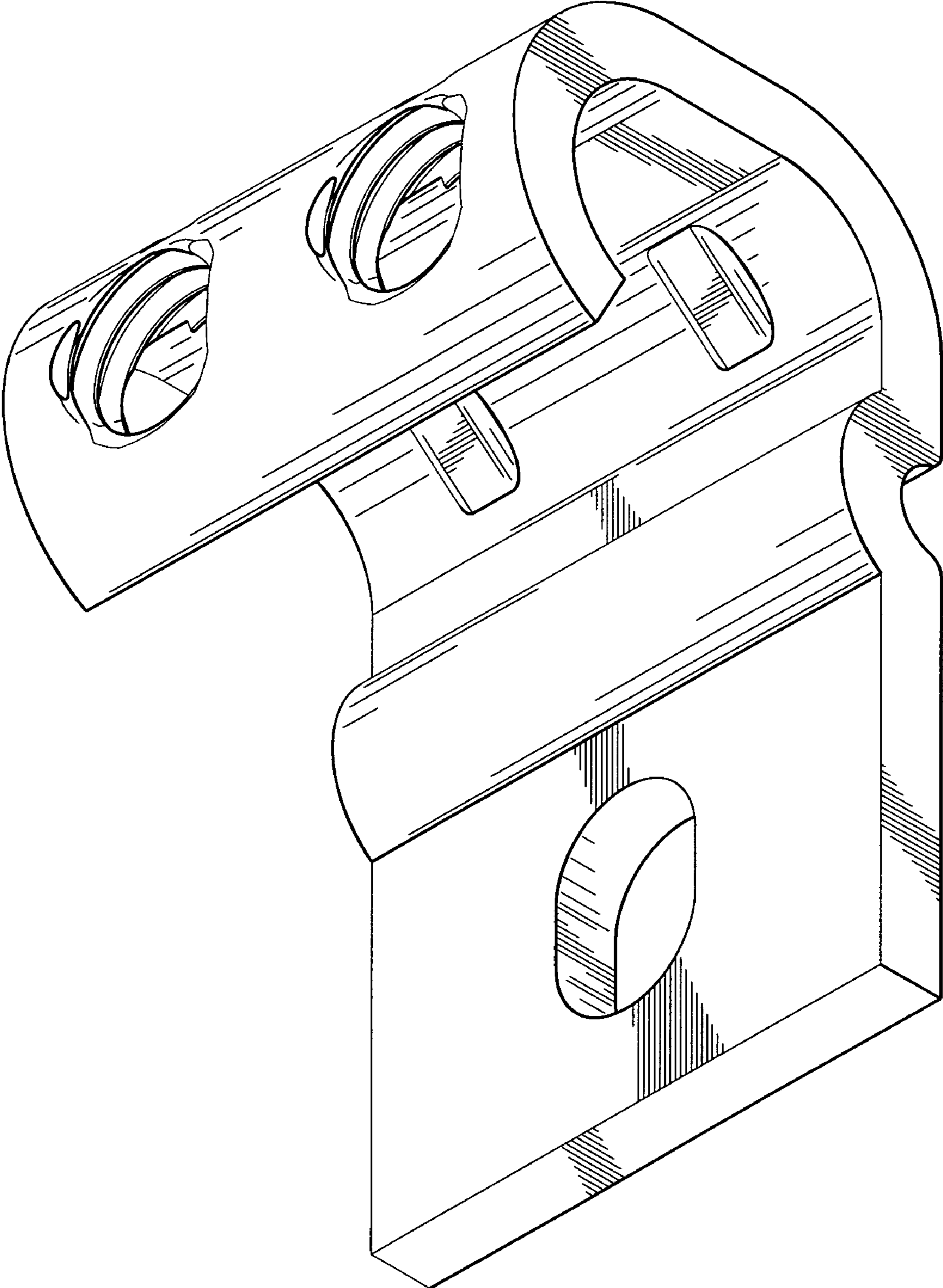


FIG. 2

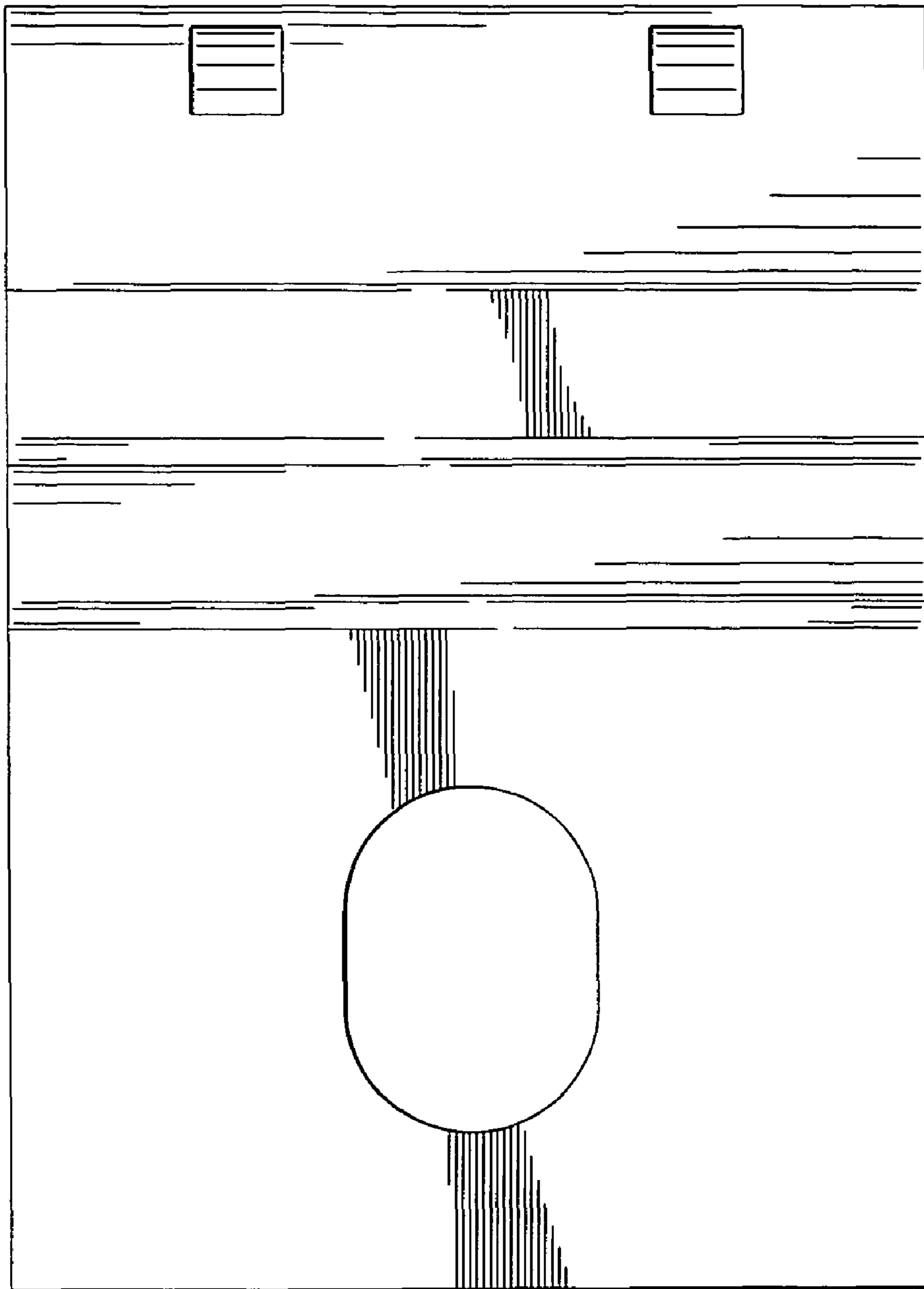


FIG. 3

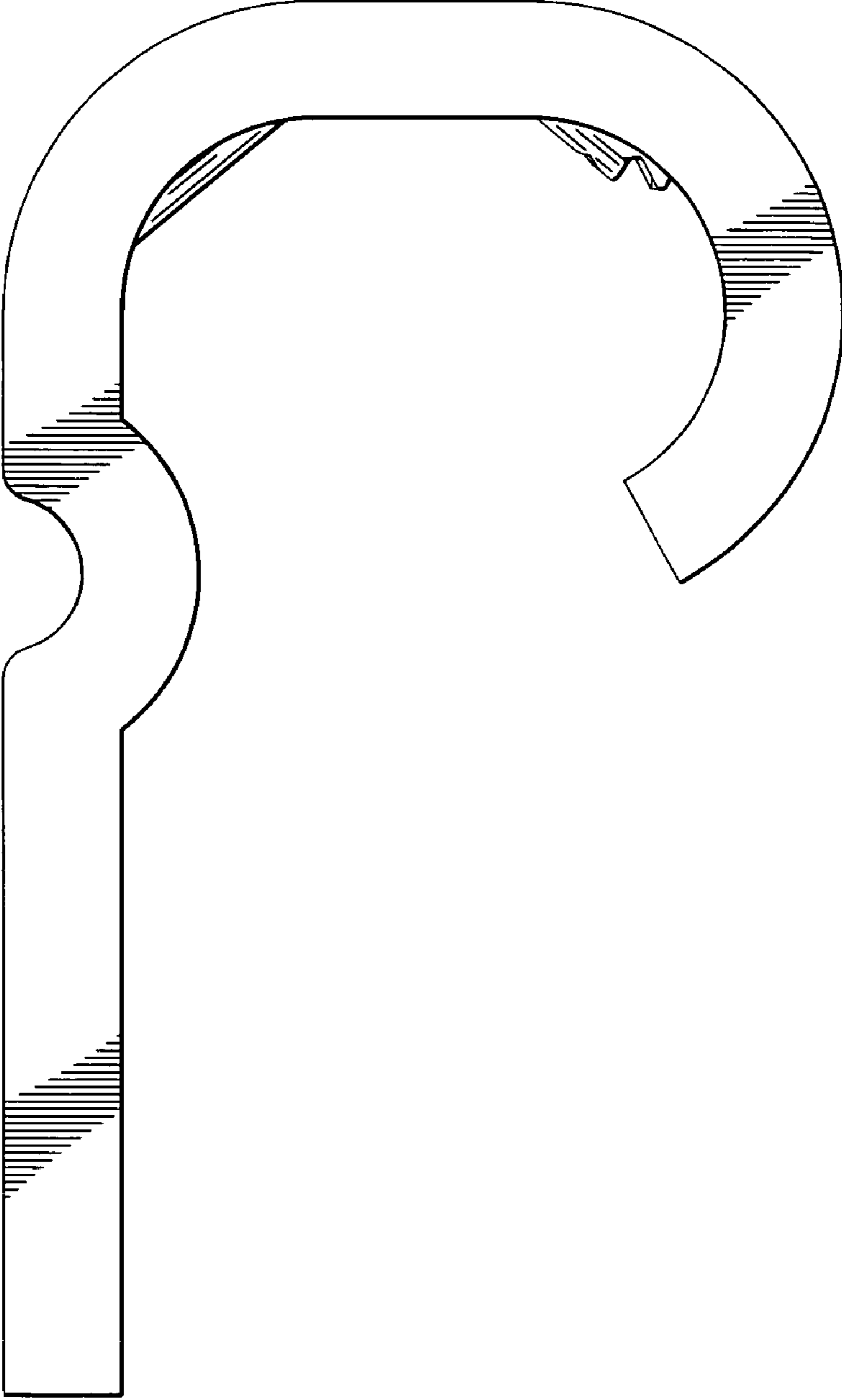


FIG. 4

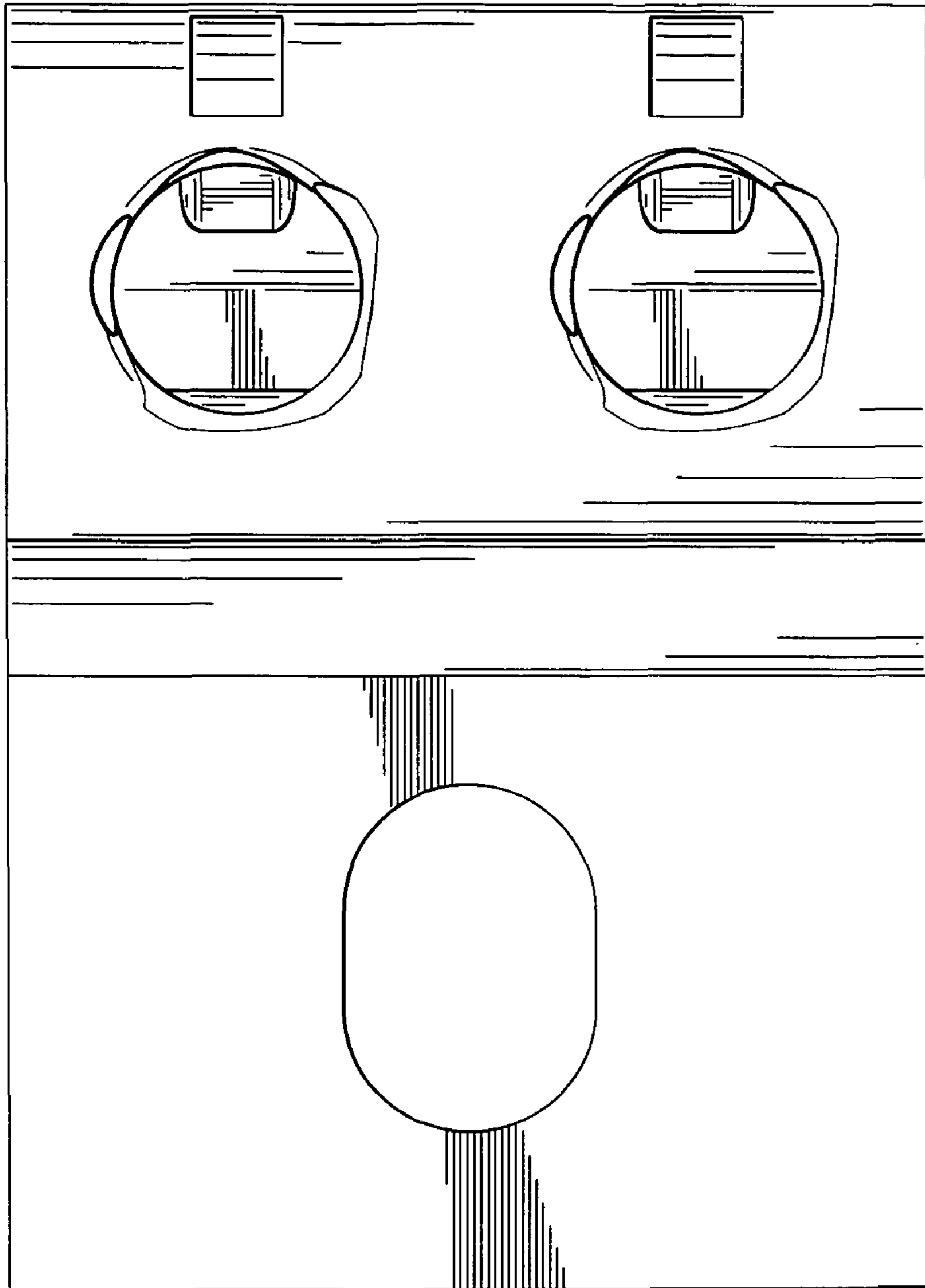


FIG. 5

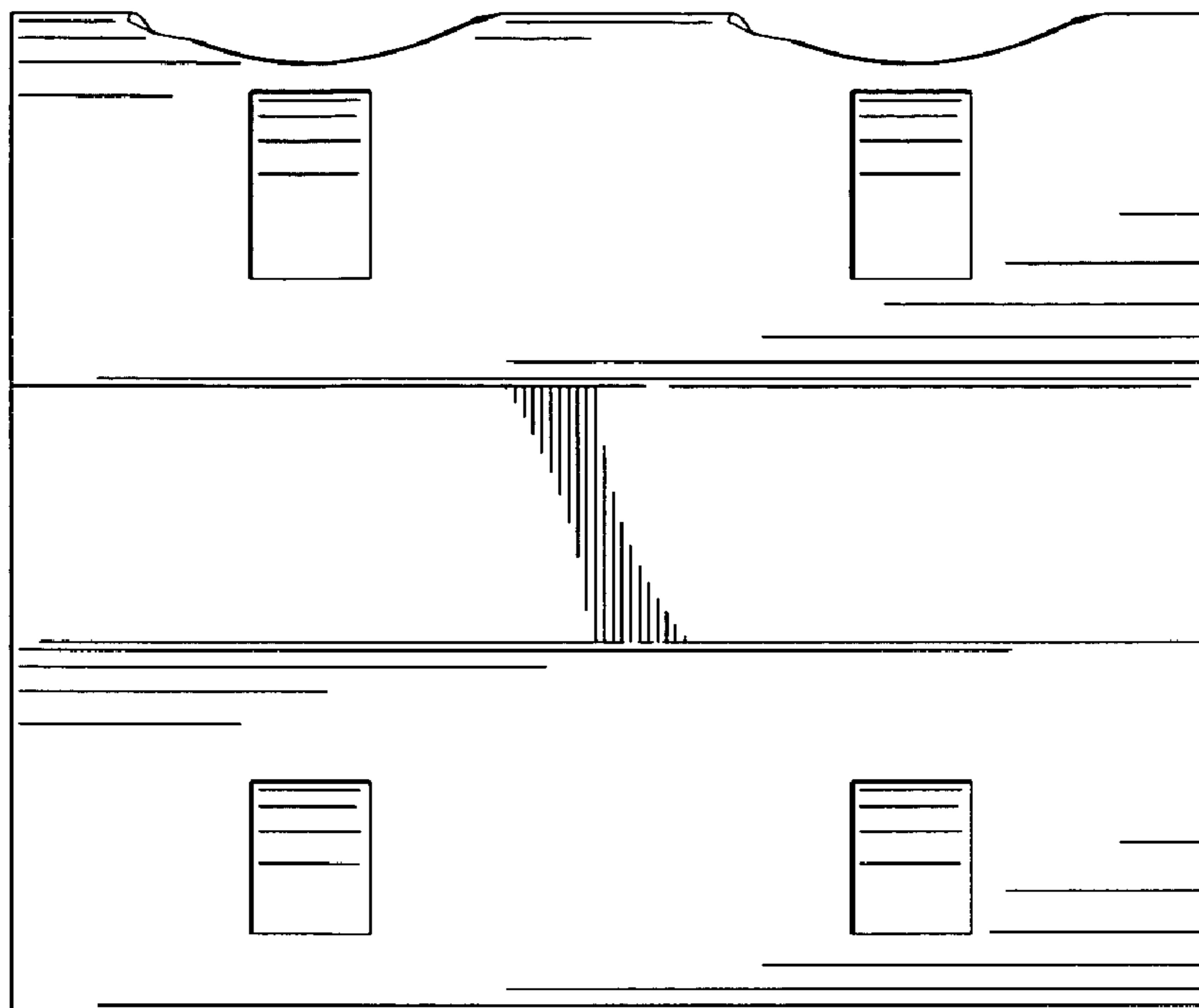


FIG. 6

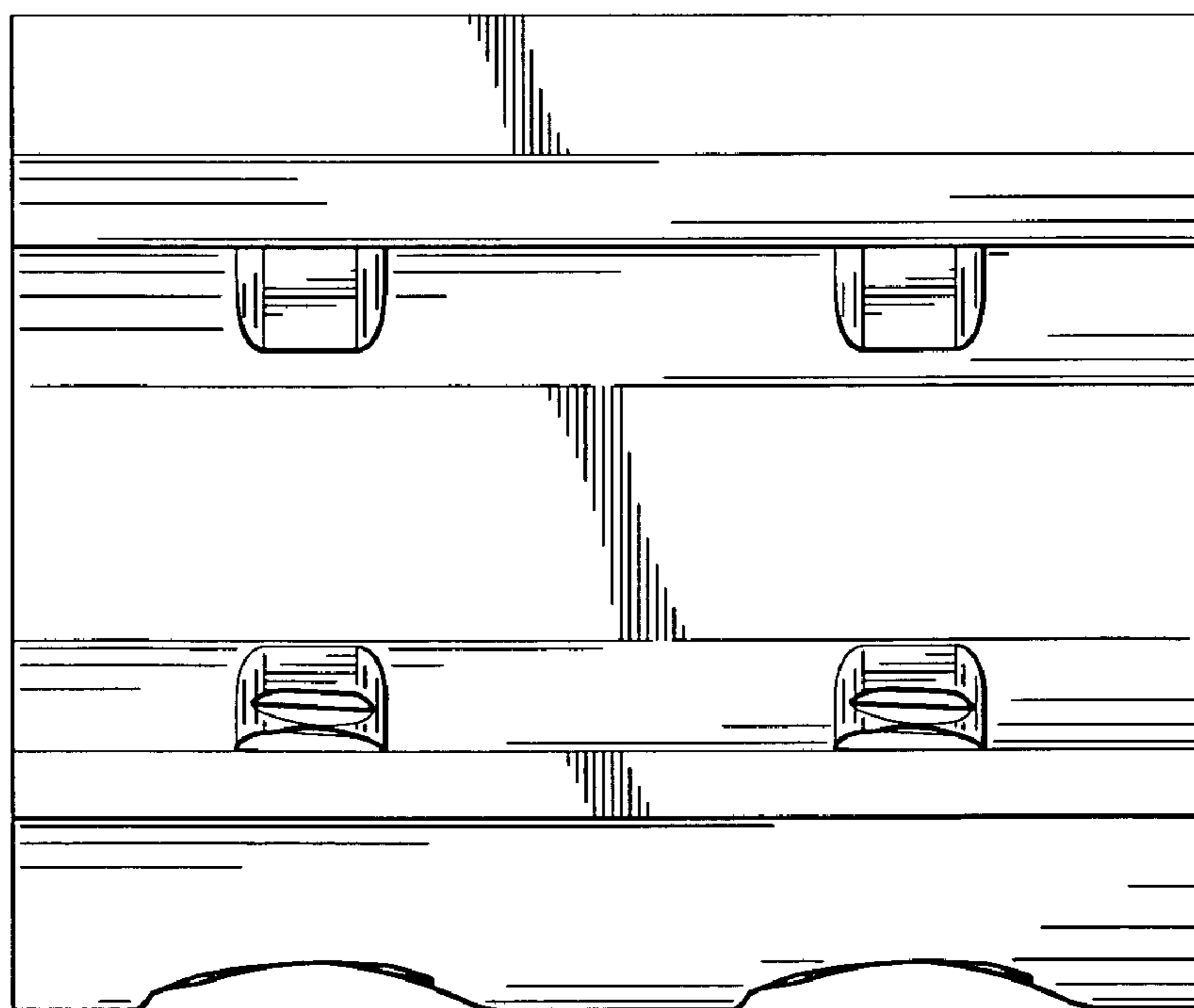


FIG. 7